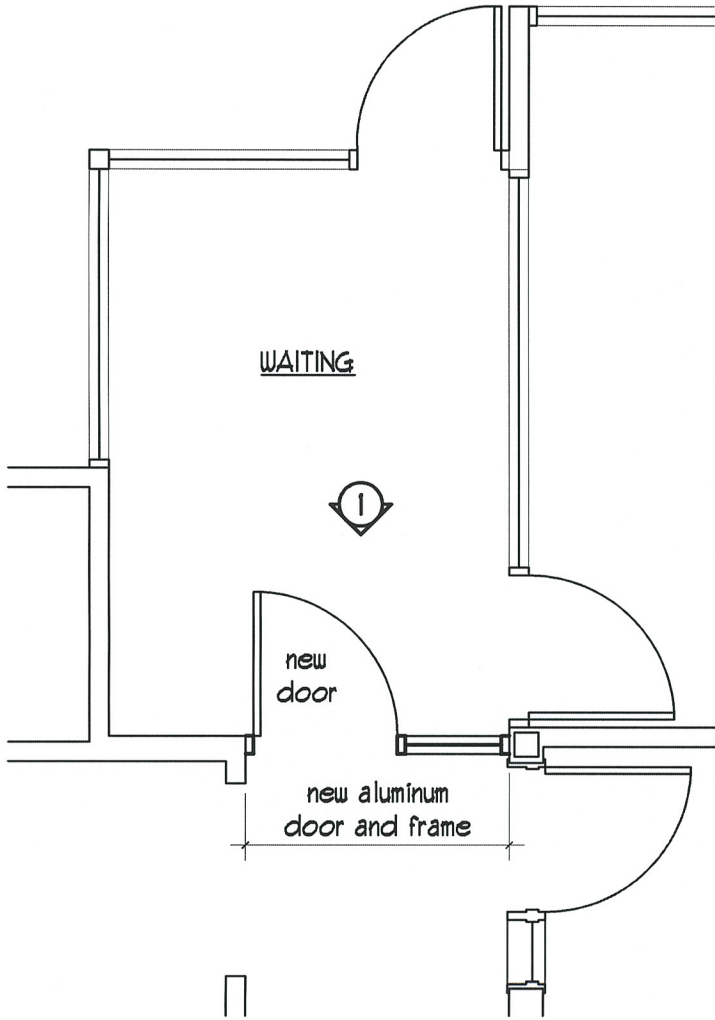
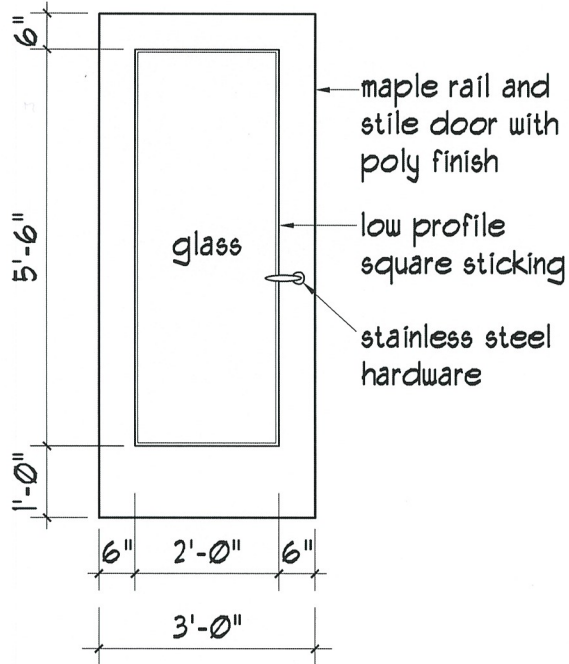


Note: frame to be wired for electronic card access

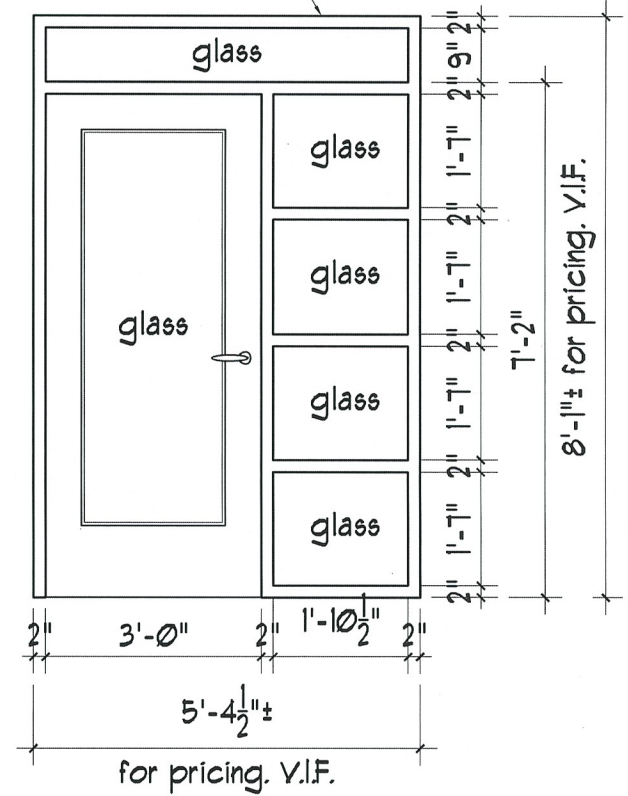
2 x 4½ aluminum storefront frame, powder coated to match existing



3 Plan at Waiting Room
1/4" = 1'-0"



2 Door Elevation
3/8" = 1'-0"



1 Storefront Elevation
3/8" = 1'-0"

SHEET
A2

68 MARGINAL WAY

Josef Chalot, Architect

Field Sketch: Storefront Entry
Date: 04-09-2014
Project: WinXnet