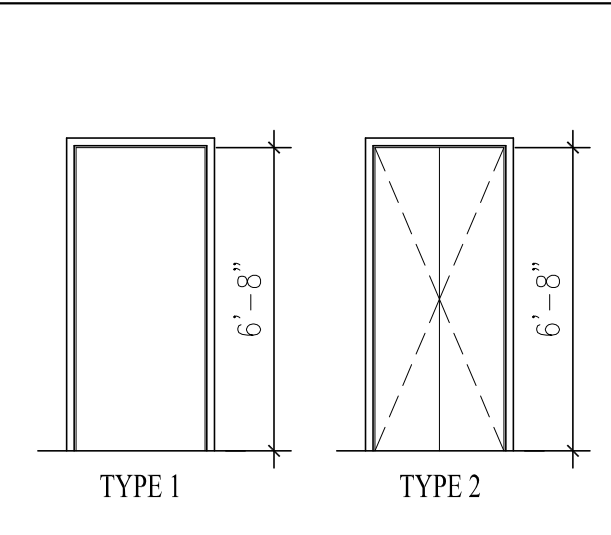


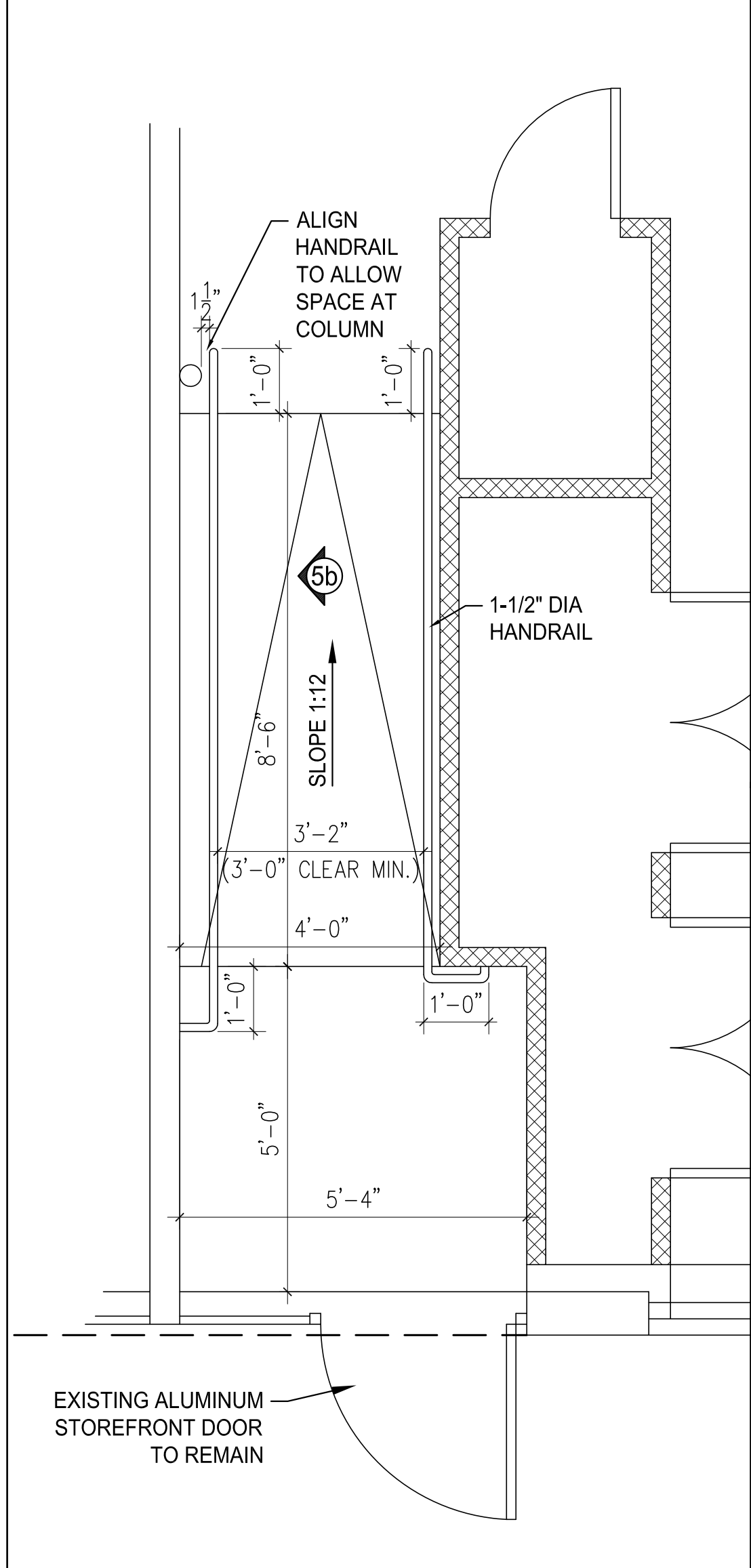
5b ADA RAMP HANDRAIL ELEV.
SCALE: 1/2"=1'-0"

*** DOOR SCHEDULE ***

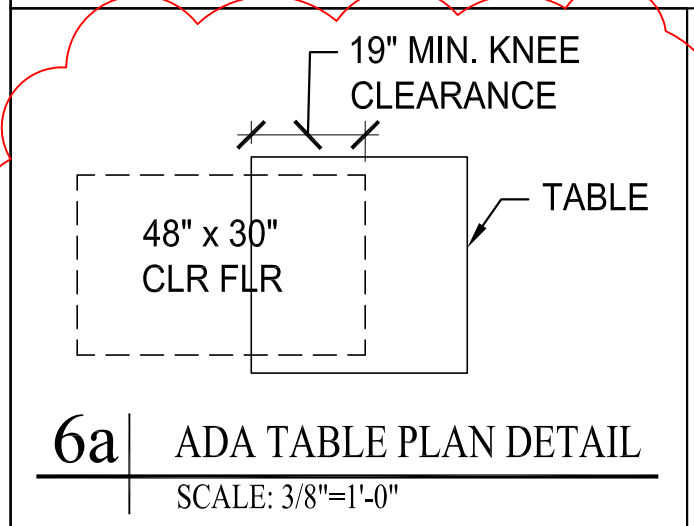
DOOR No.	NEW / EXISTING	SIZE W x H x T	DOOR		HARDWARE	FRAME Material	RATING	REMARKS
			Type	Material				
A	NEW	3'-0" x 6'-8" x 1 3/4"	1	S. C. Oak Slab	Lever Handle, Closer	Wood		
B	NEW	3'-0" x 6'-8" x 1 3/4"	1	Insul. Metal	Lever Handle, Kick Plate, Closer	Metal		Demo existing door
C	NEW	2'-8" x 6'-8" x 1 3/4"	1	S. C. Oak Slab	Lever Handle, Closer	Wood		
D	NEW	2'-0" x 6'-8" x 1 3/4"	1	H.C. Wood	Knob with keyed lock	Wood		
E	NEW	(2) 2'-0" x 6'-8" x 1 3/4"	2	H.C. Wood	Knob with keyed lock	Wood		
F	EXISTING	3'-0" x 6'-8" x 1 1/2"		Alum. Glass	Push Pull Hardware, Weather Stripping, Alum Thresh	Alum		Existing Door to Remain
G	NEW	3'-0" x 6'-8" x 1 3/4"	1	S. C. Oak Slab	Lever Handle, Kick Plate, Closer, push button lock	Wood		
H	NEW	2'-8" x 6'-8" x 1 3/4"	1	S. C. Oak Slab	Lever Handle, Kick Plate, Closer, push button lock	Wood		



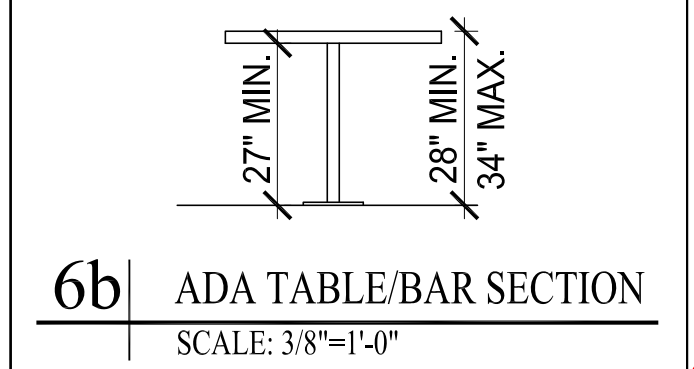
<ul style="list-style-type: none"> = ILLUMINATED EXIT SIGN = EMERGENCY LIGHTING = EXIT/LIGHTING COMBO = HORN/ STROBE = FIRE EXTINGUISHER 	<ul style="list-style-type: none"> = NEW 2x4 AND 5/8" GYP WALL TO UNDERSIDE OF ROOF DECK = NEW 2x4 AND 5/8" GYP WALL 8' HIGH = EXISTING WALL
<p>OFFICE/STUDIO SPACE = 842sqft - occupancy load 100sqft/person = 9 TABLE + CHAIR SEATING/STAGE = 705 sqft - occupancy load 15sqft/person = 47 TOTAL OCCUPANCY LOAD = 56</p>	



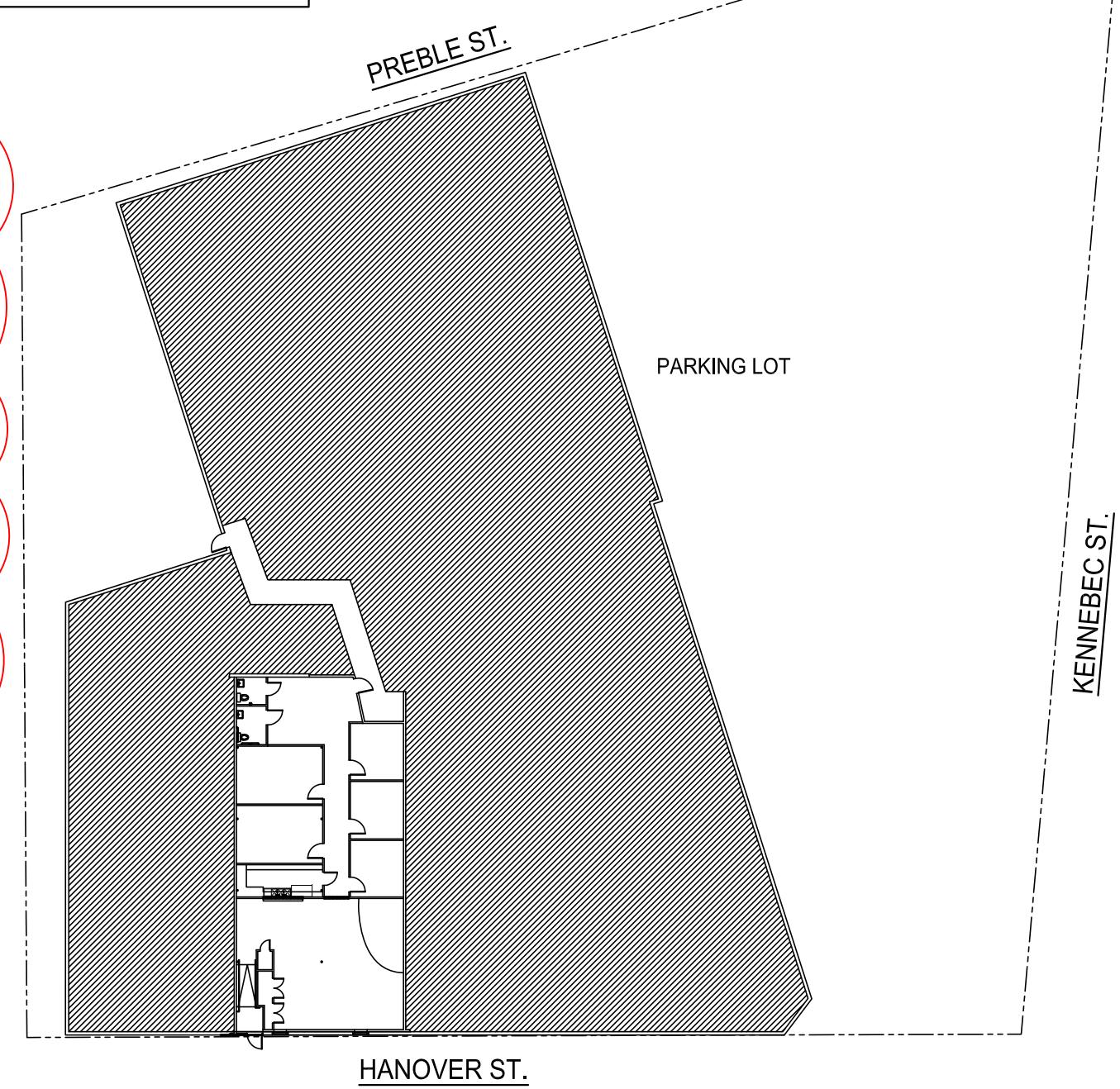
5a ADA RAMP PLAN
SCALE: 1/2"=1'-0"



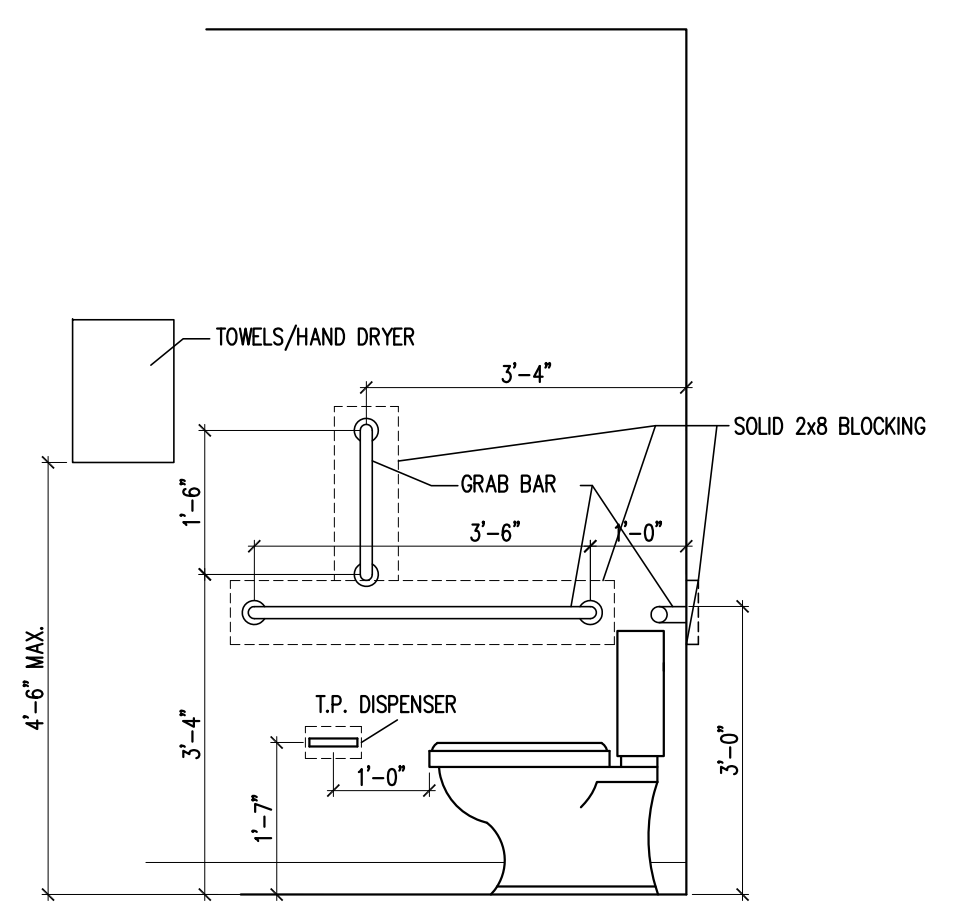
6a ADA TABLE PLAN DETAIL
SCALE: 3/8"=1'-0"



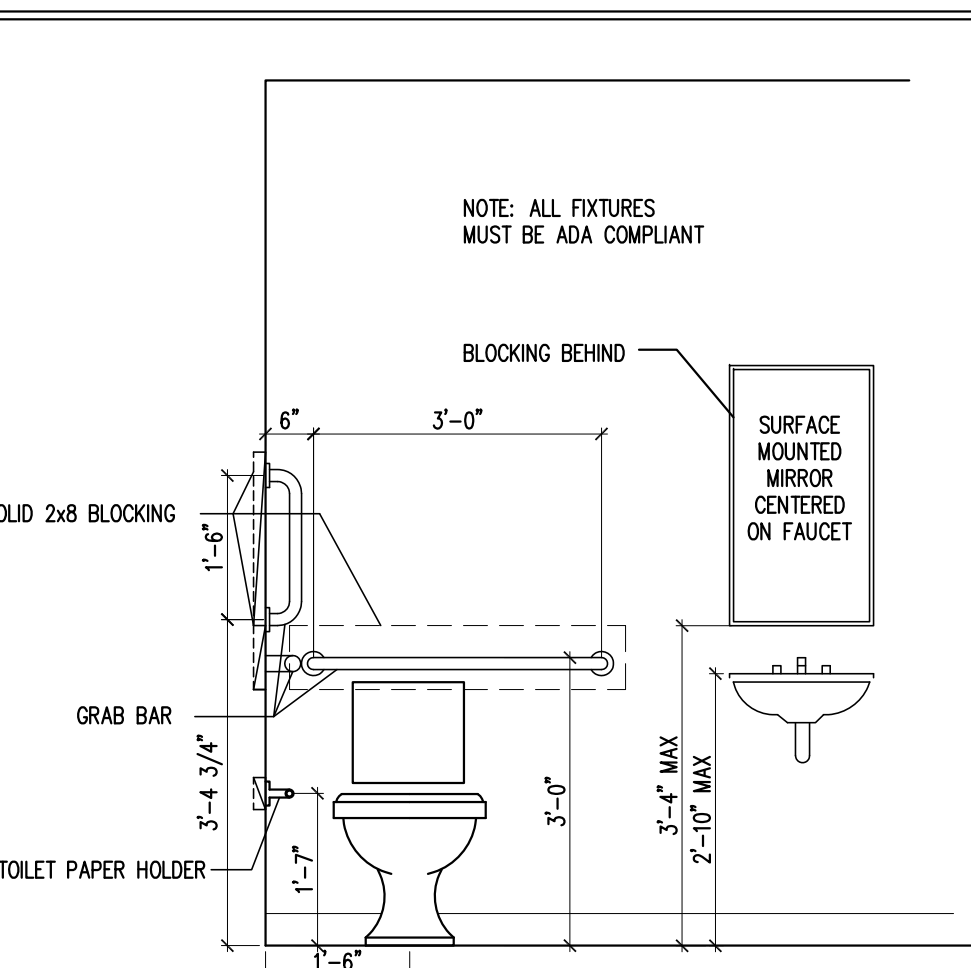
6b ADA TABLE/BAR SECTION
SCALE: 3/8"=1'-0"



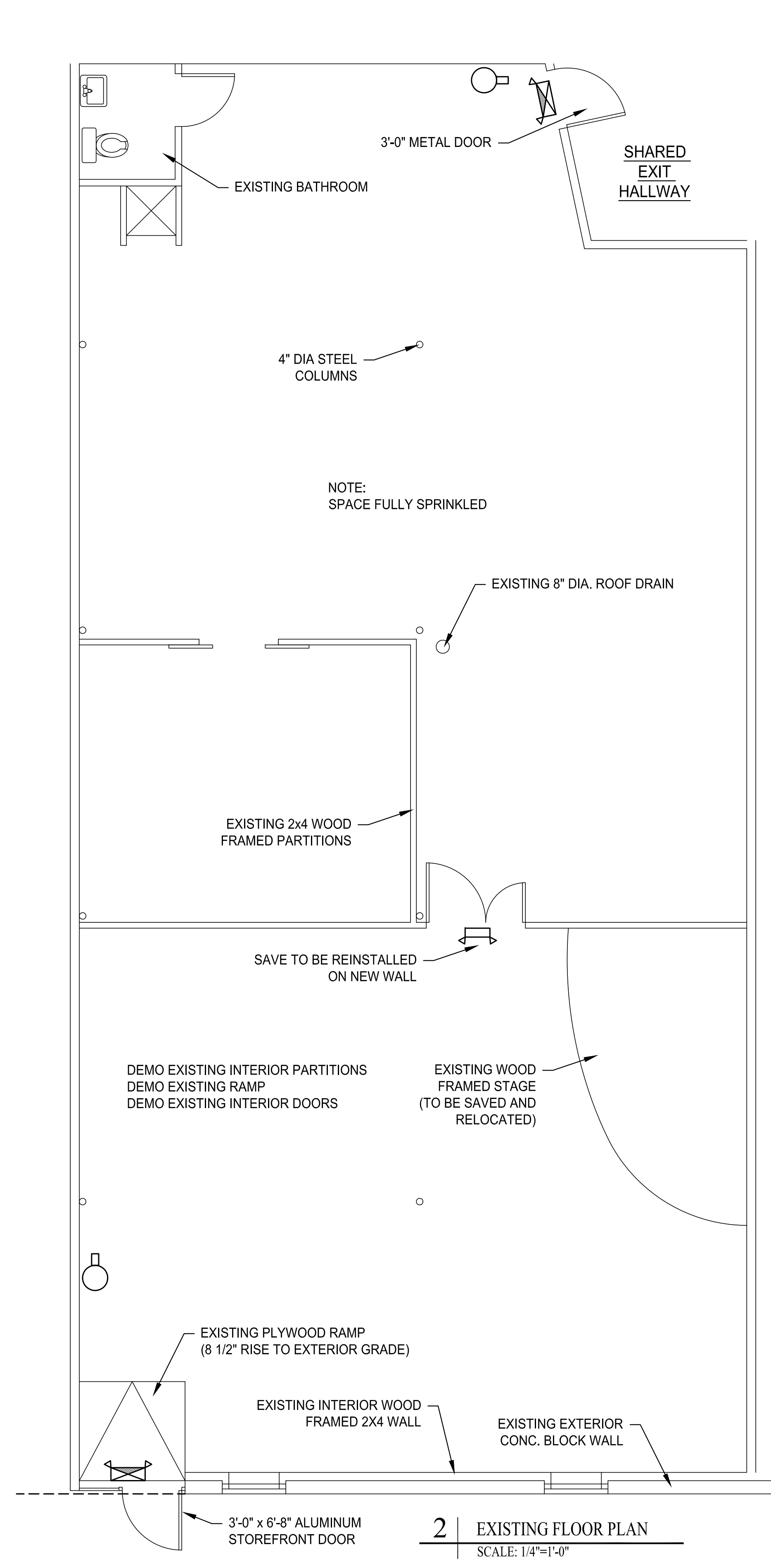
3 KEY PLAN
SCALE: 1/16"=1'-0"



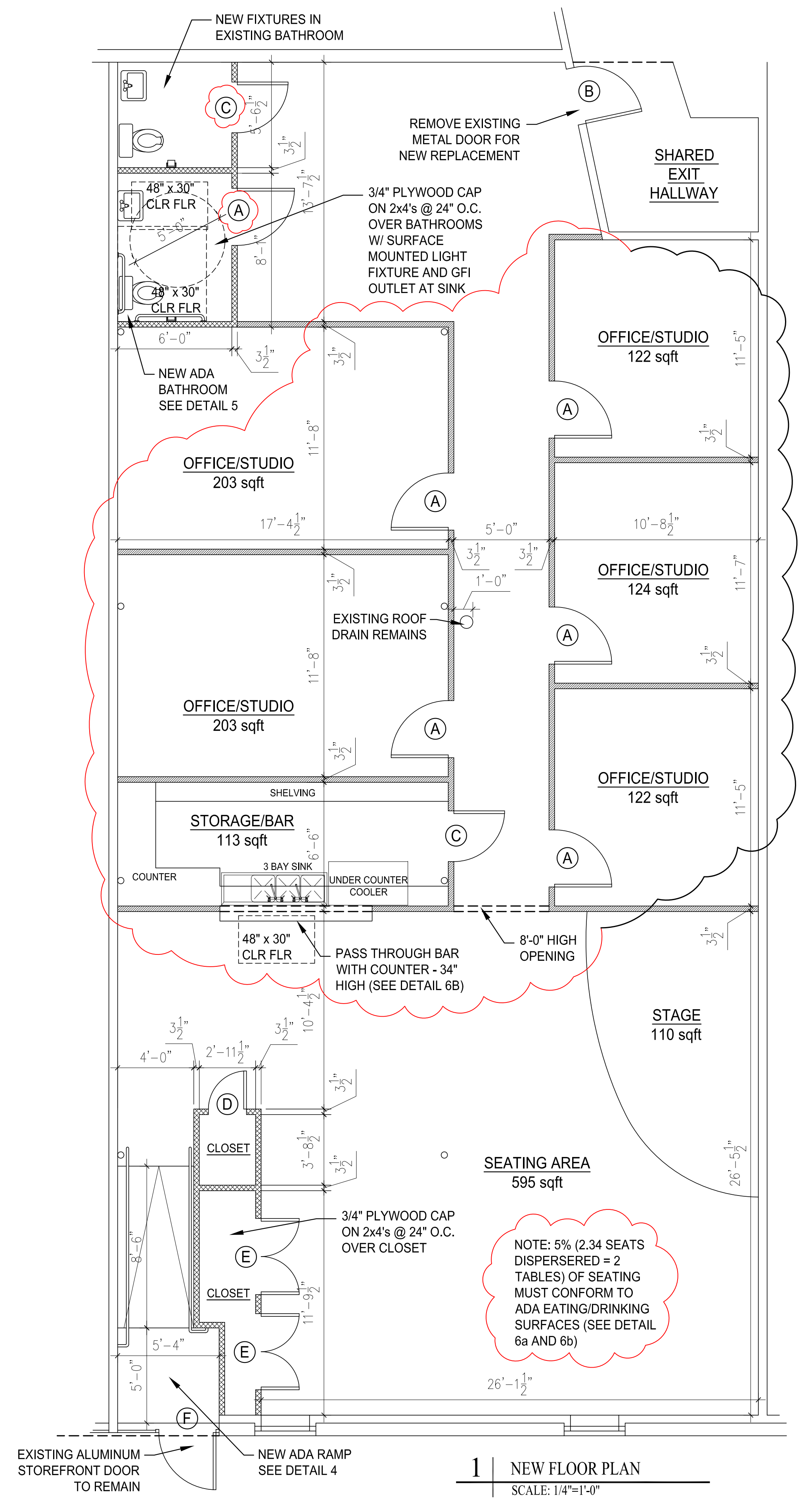
4a ADA BATHROOM ELEVATION DETAILS
SCALE: 1/2"=1'-0"



4b ADA BATHROOM ELEVATION DETAILS
SCALE: 1/2"=1'-0"



2 EXISTING FLOOR PLAN
SCALE: 1/4"=1'-0"



1 NEW FLOOR PLAN
SCALE: 1/4"=1'-0"

Project: **107 HANOVER ST. STUDIOS**
 107 Hanover St.
 PORTLAND, MAINE

Contact: Patrick Corrigan
 107 Hanover St.
 PORTLAND, MAINE
 (207) 450-8187

Revisions:
 03/08/16 - CODE REVIEW

Date: 25 JAN 2016
 Scale: AS NOTED

EXISTING SPACE and PROPOSED FIT-UP

A1