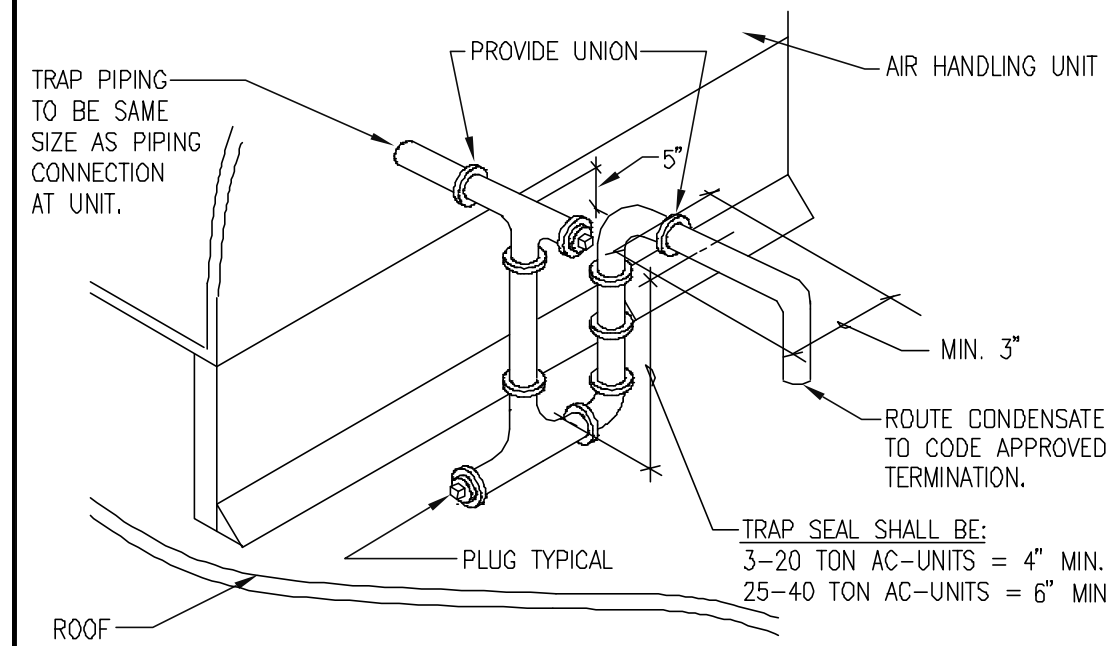
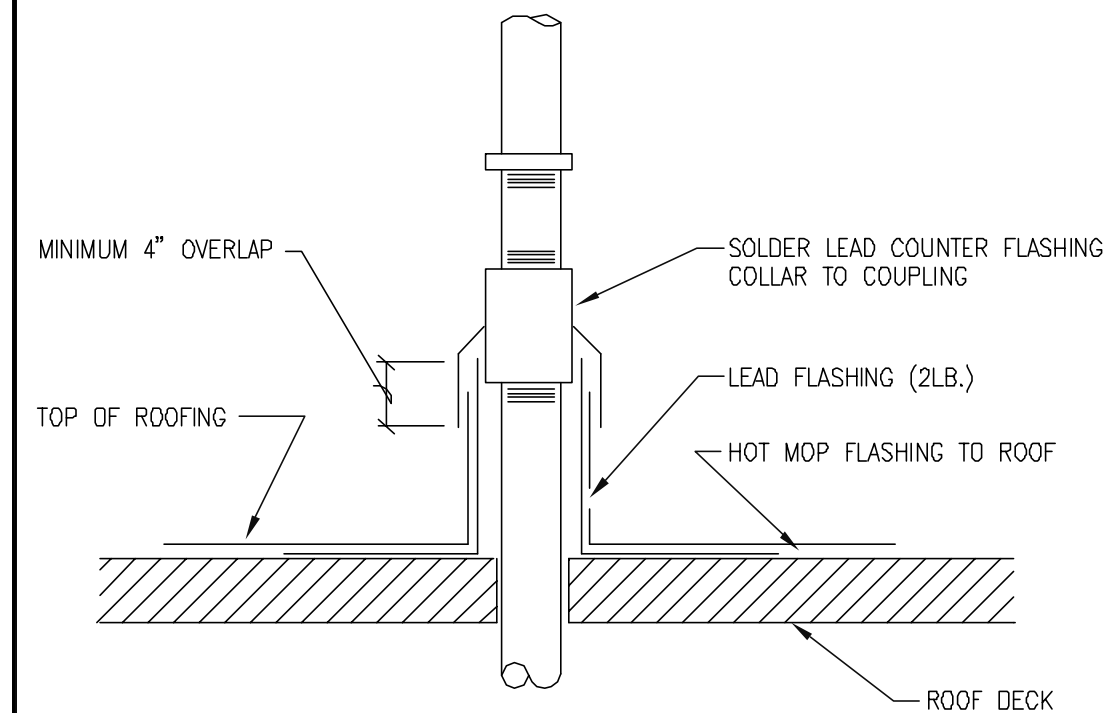


- TRAP PIPING TO BE SAME SIZE AS AC UNIT DRAIN.
- PROVIDE CONDENSATE TRAP AT EACH CONDENSATE DRAIN OUTLET ON HVAC-UNIT.



NOT USED

9 CONDENSATE TRAP DETAIL 3"=1'-0" 5



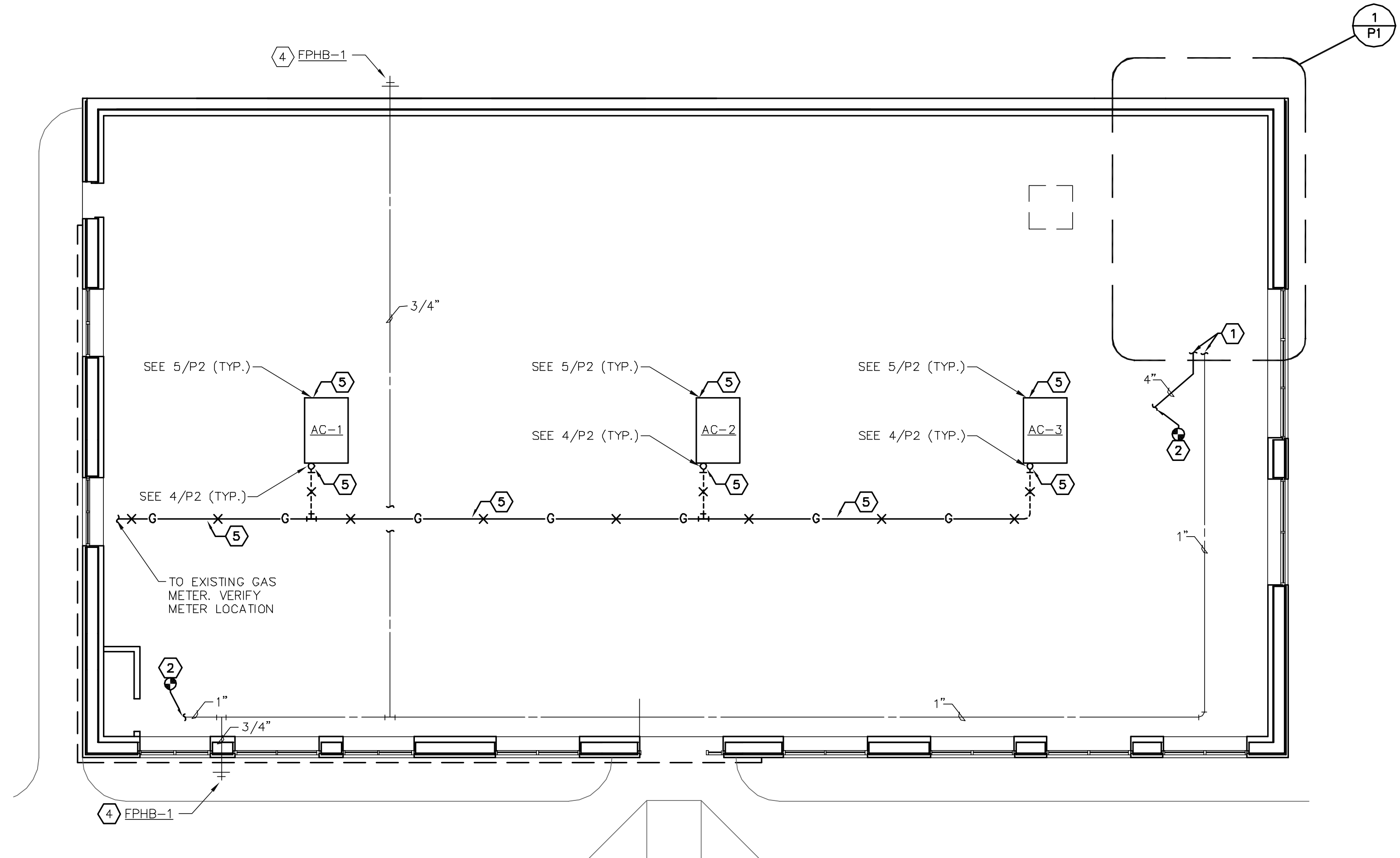
NOT USED

10 PIPING ROOF PENETRATION 3"=1'-0" 6

NOT USED

11 NOT USED 7

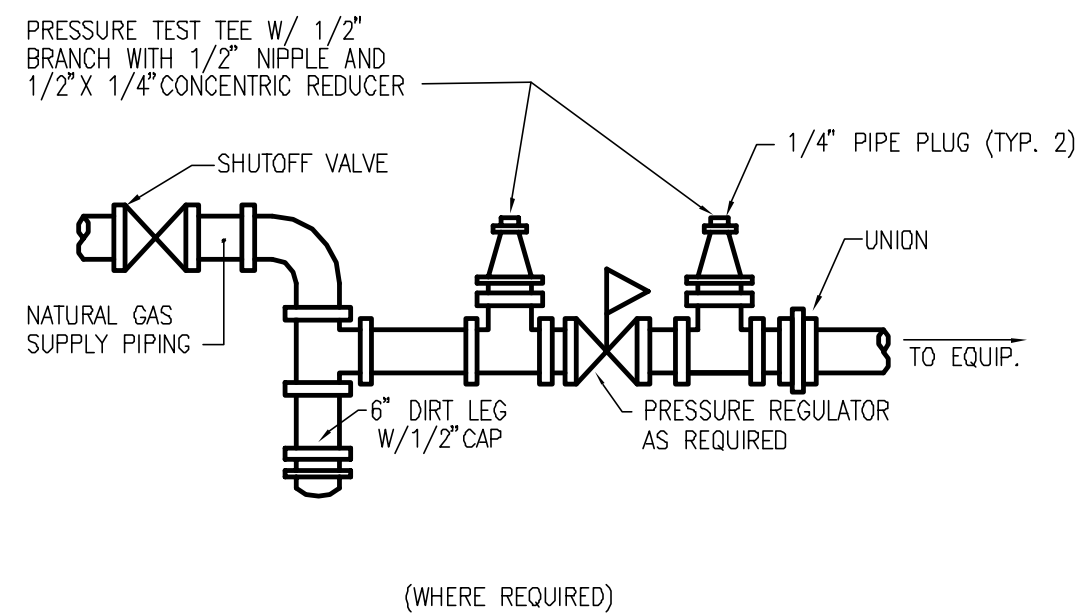
GAS PIPING PLAN 1/8"=1'-0" 1



NOT USED

12 NOT USED 8

GAS PIPE CONNECTION N.T.S. 4



NOT USED

3 NOTES 2

- SEE PARTIAL FLOOR PLAN - PLUMBING, 1/P1 FOR CONTINUATION.
- VERIFY LOCATION AND SIZE OF EXISTING SHELL SANITARY AND DOMESTIC WATER PIPING FOR CONNECTION TO NEW PIPING IN FIELD PRIOR TO CONSTRUCTION. NOTIFY ARCHITECT IF EXISTING PIPE SIZES ARE SMALLER THAN THE NEW PIPING TO BE CONNECTED.
- EXISTING GAS METER AND SERVICE BY SERVING UTILITY.
- ROUTE 3/4" COLD WATER DOWN IN FURRED WALL ON WARM SIDE OF INSULATION TO FPHB-1.
- ALL GAS PIPING EXISTING BY LANDLORD. VERIFY PROPER CONNECTIONS

REVISIONS:


PROJECT: 304121

PORTLAND/MARGINAL WAY  
160 PREBLE STREET  
PORTLAND, ME 04104  
STORE #019101

SHEET TITLE  
GAS PIPING PLAN & DETAILS

TEMPLATE: 2003.2	DRAWN BY: MAT
DESIGN CONSTRUCTION BULLETIN:	CHECKED BY: FJN
	SCALE: AS NOTED
	DATE: 03-12-04

SHEET NO. P2