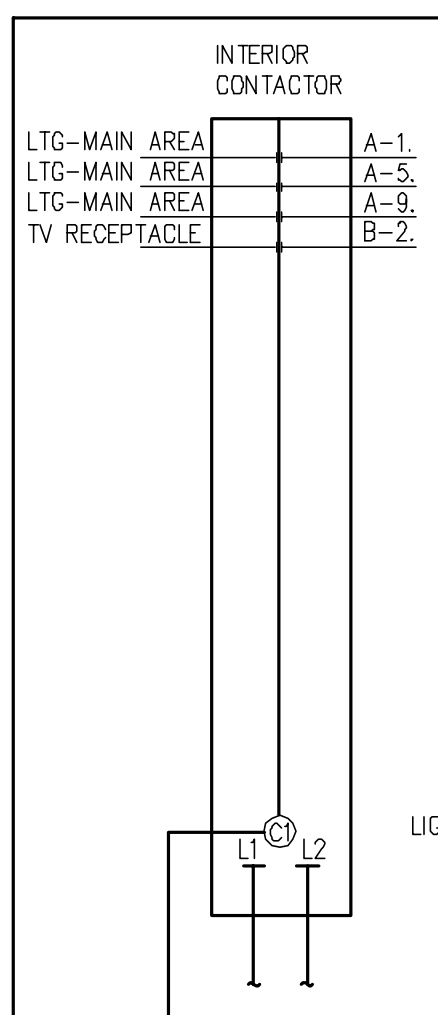


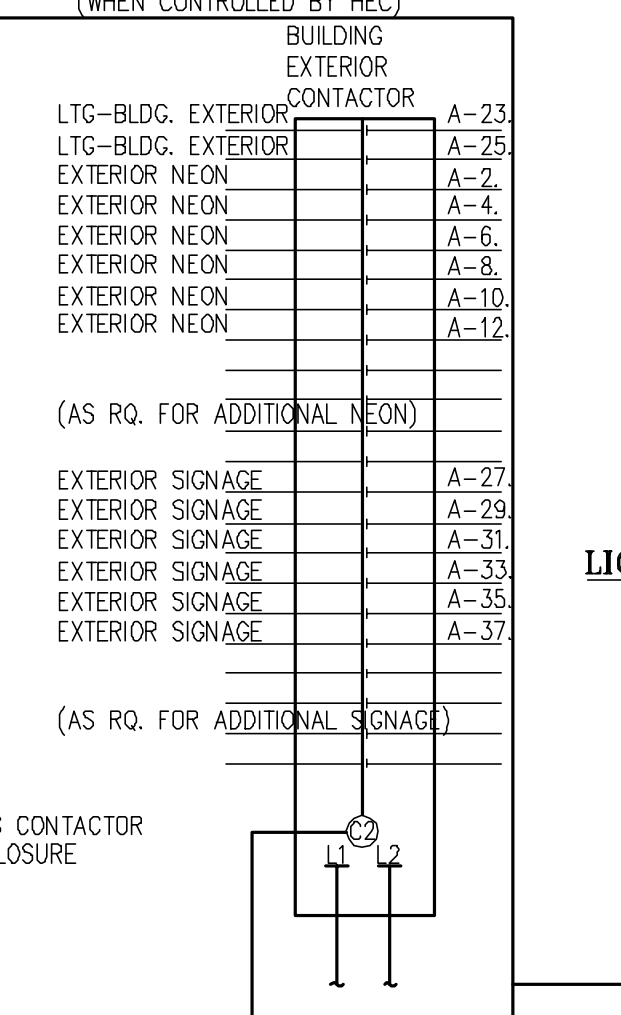
INTERIOR CONTACTOR

- 50% OF MAIN AREA LIGHTS (INCLUDE LIGHTS OVER CASHWRAP AREA)
- ALL TELEVISION RECEPTACLES



BUILDING EXTERIOR CONTACTOR

- EXTERIOR SIGNAGE (BUILDING, PYLON & MONUMENT SIGNS)
- EXTERIOR NEON
- EXTERIOR WALL LIGHTS
- PARKING AREA LIGHTS (WHEN CONTROLLED BY HEC)

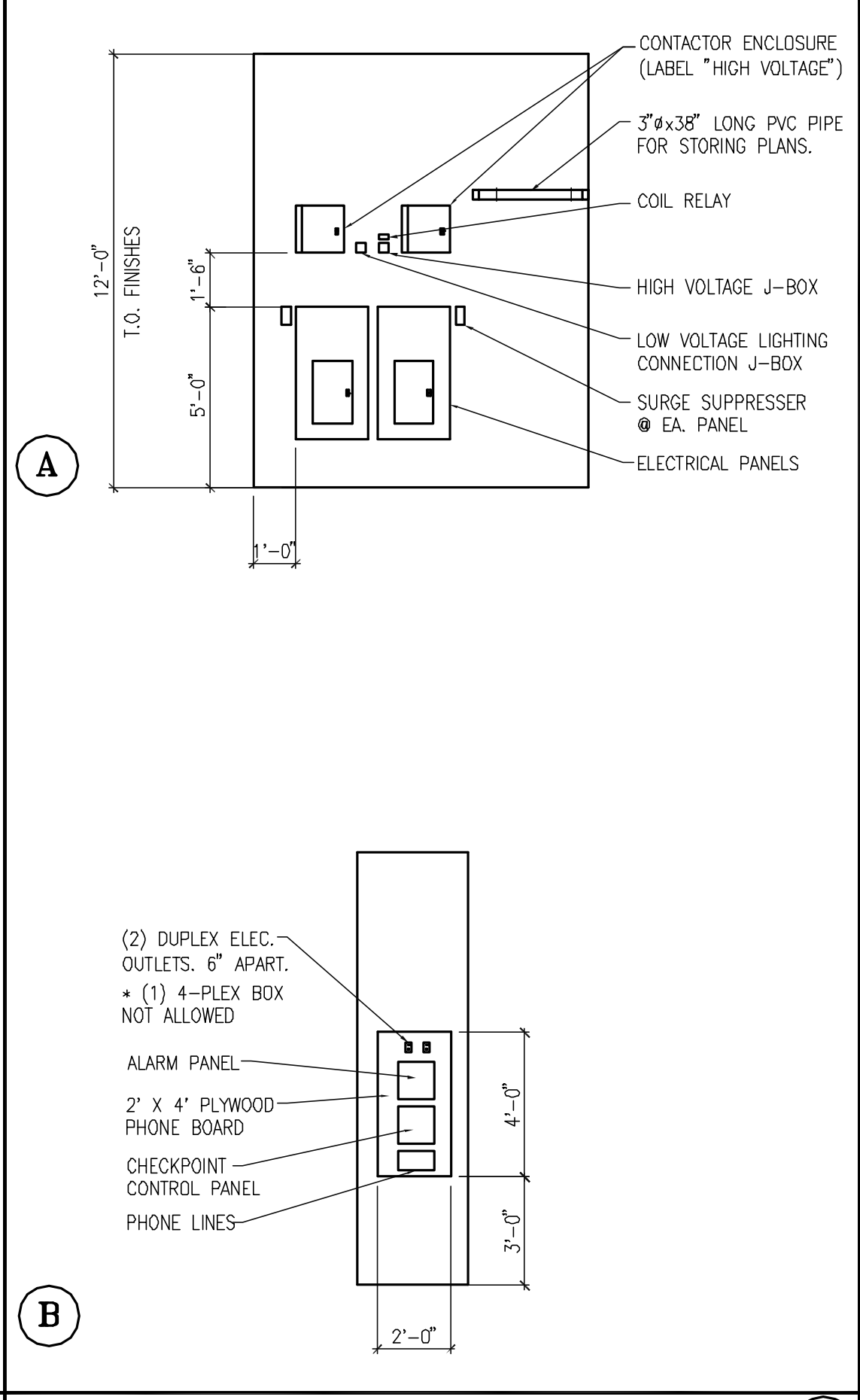
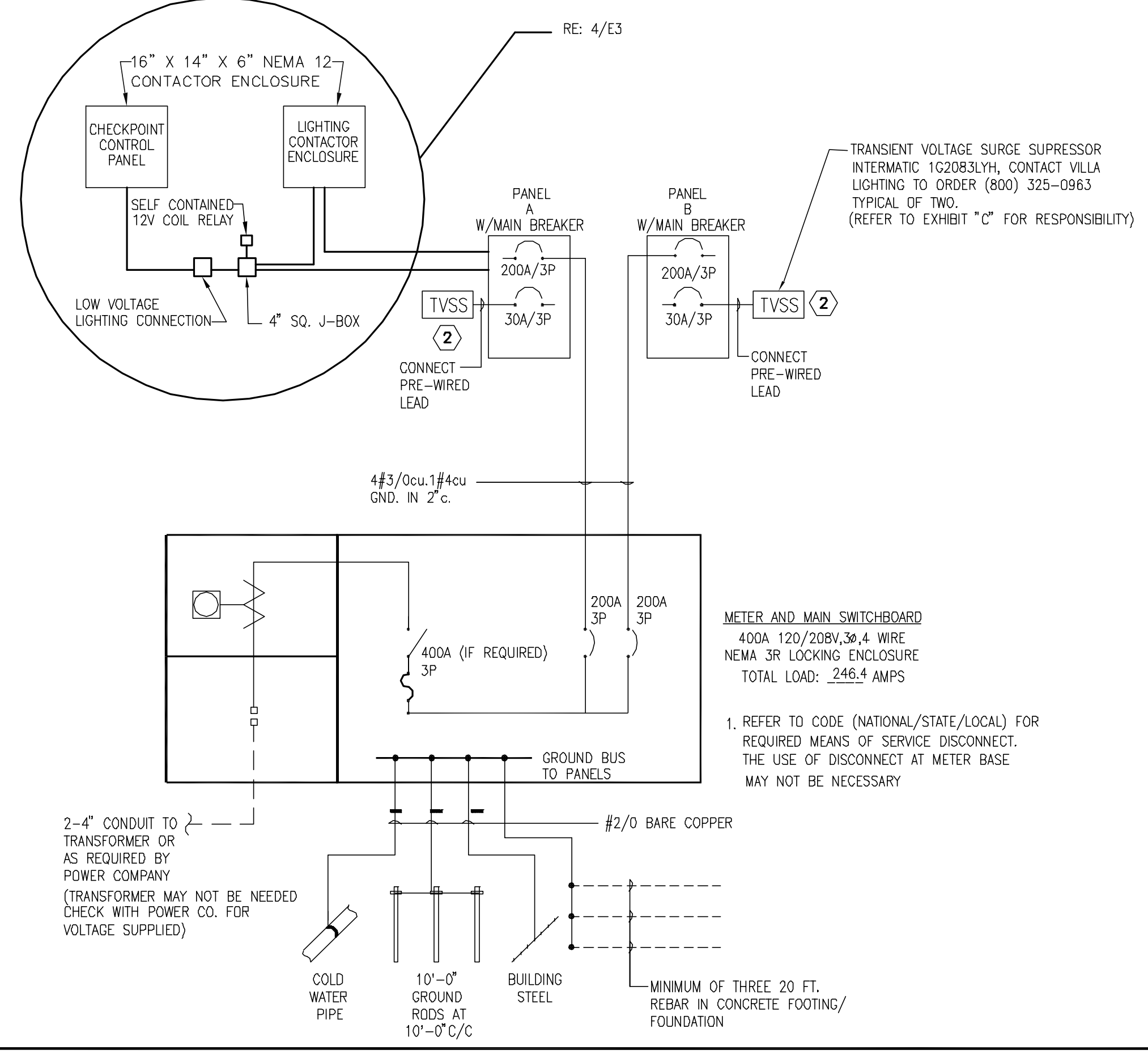


SEPARATION OF HIGH AND LOW VOLTAGE COMPONENTS

THE LOW VOLTAGE TERMINAL STRIP SHALL BE MOUNTED INSIDE A COVERED 4" SQ. J-BOX BEARING THREE IMPORTANT LABELS: "12VDC (+POS)" ALIGN WITH APPROPRIATE TERMINAL WITHIN ENCLOSURE TO IDENTIFY POLARITY "12VDC (-NEG)" ALIGN WITH APPROPRIATE TERMINAL WITHIN ENCLOSURE TO IDENTIFY POLARITY THIS ENCLOSURE SHALL NOT BE POPULATED WITH ANY OTHER DEVICES OR WIRING, EXCEPT THE TWO CONDUCTORS LEADING TO THE 12VDC COIL-RELAY. A CLAMP CONNECTOR (FOR NM CABLE) SHALL BE INSTALLED TO PERMIT ENTRY OF CHECKPOINTS WIRE INTO THE ENCLOSURE.

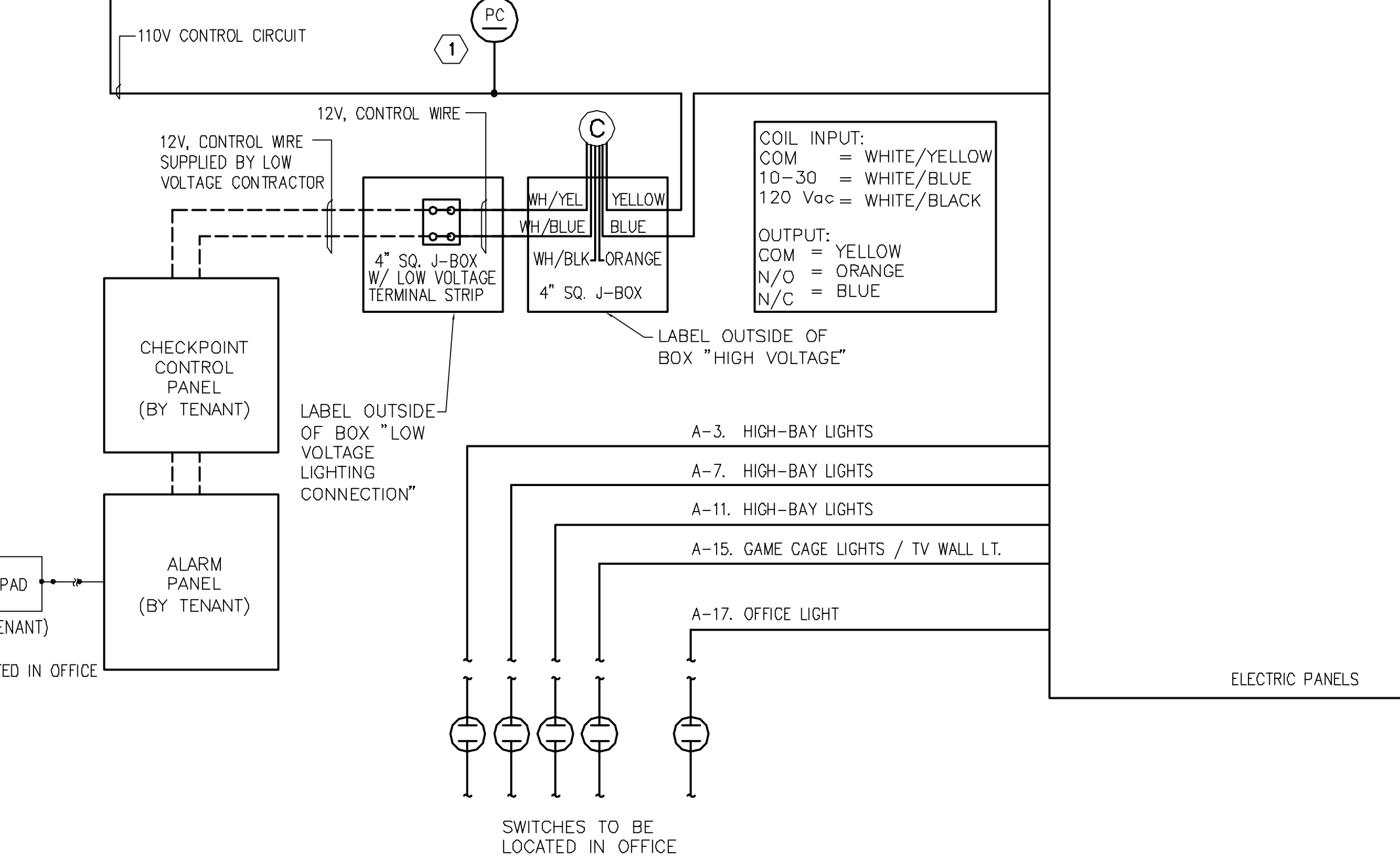
LIGHTING CONTROL PACKAGE SUPPLY SCHEDULE

- ITEMS PROVIDED BY LIGHTING VENDOR AND INSTALLED BY CONTRACTOR
- LIGHTING CONTACTORS
 - LIGHTING CONTACTOR ENCLOSURE
 - CONTACTOR MOUNTING PLATE
 - 12V COIL RELAY
 - TERMINAL STRIP
 - PHOTO CELL



ONE-LINE DIAGRAM

PANEL DETAIL



LIGHTING CONTROL AND FIELDING WIRING DIAGRAM

KEY NOTES

- ADJUST PHOTO CELL SHIELD TO 75% COVERAGE OF EYE
 - MOUNT TVSS UNIT DIRECTLY ADJACENT TO PANEL
- GENERAL NOTES**
- FEEDER AND BRANCH CIRCUIT BREAKERS IN PANEL BOARDS SHALL HAVE U.L. TESTED SERIES COMBINATION RATINGS NOT LESS THAN UTILITY AVAILABLE FAULT CURRENT.
 - VERIFY NUMBER AND LOAD FOR HVAC FROM MECHANICAL SHEETS
 - THE ELECTRICAL SUBCONTRACTOR IS RESPONSIBLE TO COORDINATE ALL INFORMATION CONTAINED WITHIN THE ENTIRE SET OF CONSTRUCTION DOCUMENTS IN ORDER TO COMPLETE HIS WORK.
 - CONTRACTOR SHALL TEST SYSTEM BY ATTACHING LOW VOLTAGE CONTROL WIRES TO 12V. POWER SOURCE (IE. (2) 6V. BATTERIES) TO VERIFY SYSTEM OPERATION IF ALARM SYSTEM IS NOT INSTALLED. NOTE: ALL LIGHTS ON INTERIOR AND EXTERIOR CONTRACTOR CIRCUITS WILL GO OFF WHEN 12V. POWER SOURCE IS APPLIED.

ELECTRICAL SYMBOLS

- (C) CIRCUIT BREAKER
- (F) FUSED DISCONNECT
- (S) SWITCH
- (PC) PHOTO CELL
- (TVSS) TRANSIENT VOLTAGE SURGE SUPPRESSOR
- (M) METER
- (C) 12V COIL RELAY

PANELBOARD A SCHEDULE		LOAD - VA		LOCATION: ELECTRICAL ROOM	
MAINS: 400A MAIN BREAKER		VOLTAGE: 120/208V, 3Ø, 4W		MOUNTING: RECESSED	
TYPE: NEMA 1		MIN. AIC: 10,000			
CIRCUIT DESCRIPTION	BKR	CIR NUM	CON (C)	Amp	VA
LIGHTING -H.I.D.	20	1	C	1624	1367
	3	C	1624		
	5	C	1624		
	7	C	1624		
	9	C	1624		
	11	C	1624		
	13	C	1367		
SPARE	14	C			
LIGHTING GAME CAGE/TV WALL	15	C	348		
OFFICE & RESTROOM LIGHTS	17	C	374		
OFFICE & RR RECEPTS	19	C	1440		
-EMERG/N.L./EXIT	21	C	1644		
-EXTERIOR BLDG LIGHTING	23	C	678		
-EXTERIOR BLDG LIGHTING	25	C	1518		
-SIGNAGE	27	C	1440		
	29	C	1440		
	31	C	1440		
	33	C	1440		
	35	C	1440		
	37	C	1440		
	39	C	100		
SPARE	41	C			
LOAD /	CONTINUOUS (C)	10480	10954	10014	
	NON-CONTINUOUS	1440			
	CONTINUOUS (C)	31448			
	NON-CONTINUOUS	1440			
	CONNECTED	32888			
	25% OF LTG. LOAD	7787			
	EDGE	40675			
TOTAL LOAD				40675 @ 208V, 3Ø = 113.0 AMPS	

PANELBOARD B SCHEDULE		LOAD - VA		LOCATION: ELECTRICAL ROOM	
MAINS: 200A MAIN LUGS ONLY		VOLTAGE: 120/208V, 3Ø, 4W		MOUNTING: RECESSED	
TYPE: NEMA 1		MIN. AIC: 10,000			
CIRCUIT DESCRIPTION	BKR	CIR NUM	CON (C)	Amp	VA
GENERAL RECP'TLS	2	1	C	540	1080
SPARE	3	C			
SPARE	5	C			
SPARE	7	C			
SPARE	9	C	720		
-TEL BOARD/ALARM/CCTV	11	C	1600		
CASHWRAP -CAB B IG/OFFICE IG	13	C	540	360	12
CASHWRAP -CAB B,D,G,H,J	15	C	360		
CASHWRAP -CAB H,I/HEAT GUN	17	C	720		
SPARE	19	C	3940		
CASHWRAP -CAB O/SNCRMATIC	21	C	180		
CASHWRAP -CAB J,K,L	23	C	1440	3940	22
CASHWRAP -CAB M,N,O	25	C	1620		
SPARE	27	C	3940		
	29	C	3940		
	31	C	3940		
	33	C	3940		
	35	C	3940		
	37	C	100		
TVSS	39	C	100		
	41	C			
LOAD /	CONTINUOUS (C)	3420	4120	2620	
	NON-CONTINUOUS	11920	12640	13420	
	CONTINUOUS (C)	10060			
	NON-CONTINUOUS	37980			
	CONNECTED	48040			
TOTAL LOAD				48040 @ 208V, 3Ø = 133.4 AMPS	

- ▲ ROUTE THROUGH LIGHTING CONTROL ENCLOSURE
- LOCK-ON CIRCUIT BREAKER

- ▲ ROUTE THROUGH LIGHTING CONTROL ENCLOSURE
- LOCK-ON CIRCUIT BREAKER
- VERIFY BREAKER SIZE WITH NAMEPLATE DATA

NOTES

PANEL SCHEDULES

2

HOLLYWOOD VIDEO

9275 S.W. PEYTON LANE
WILSONVILLE, OREGON 97070
PHONE (503) 570-1600

CASCO
10877 WATSON ROAD
ST. LOUIS, MO 63127
PROJECT MANAGERS

The professional of record is practicing as an individual.

JAMES C. ALBERTS
PROFESSIONAL OF RECORD
PHONE: 314-921-1100
License # 6691
Exp. 12/31/05

REVISIONS:

PROJECT: 304121

PORTLAND/MARGINAL WAY
160 PREBLE STREET
PORTLAND, ME 04104
STORE #019101

SHEET TITLE
ELECTRICAL SCHEDULES AND DIAGRAMS

TEMPLATE: 2003.2
DESIGN CONSTRUCTION BULLETIN:
DRAWN BY: EDH
CHECKED BY: EDH
SCALE: AS NOTED
DATE: 03-12-04

SHEET NO. **E3**