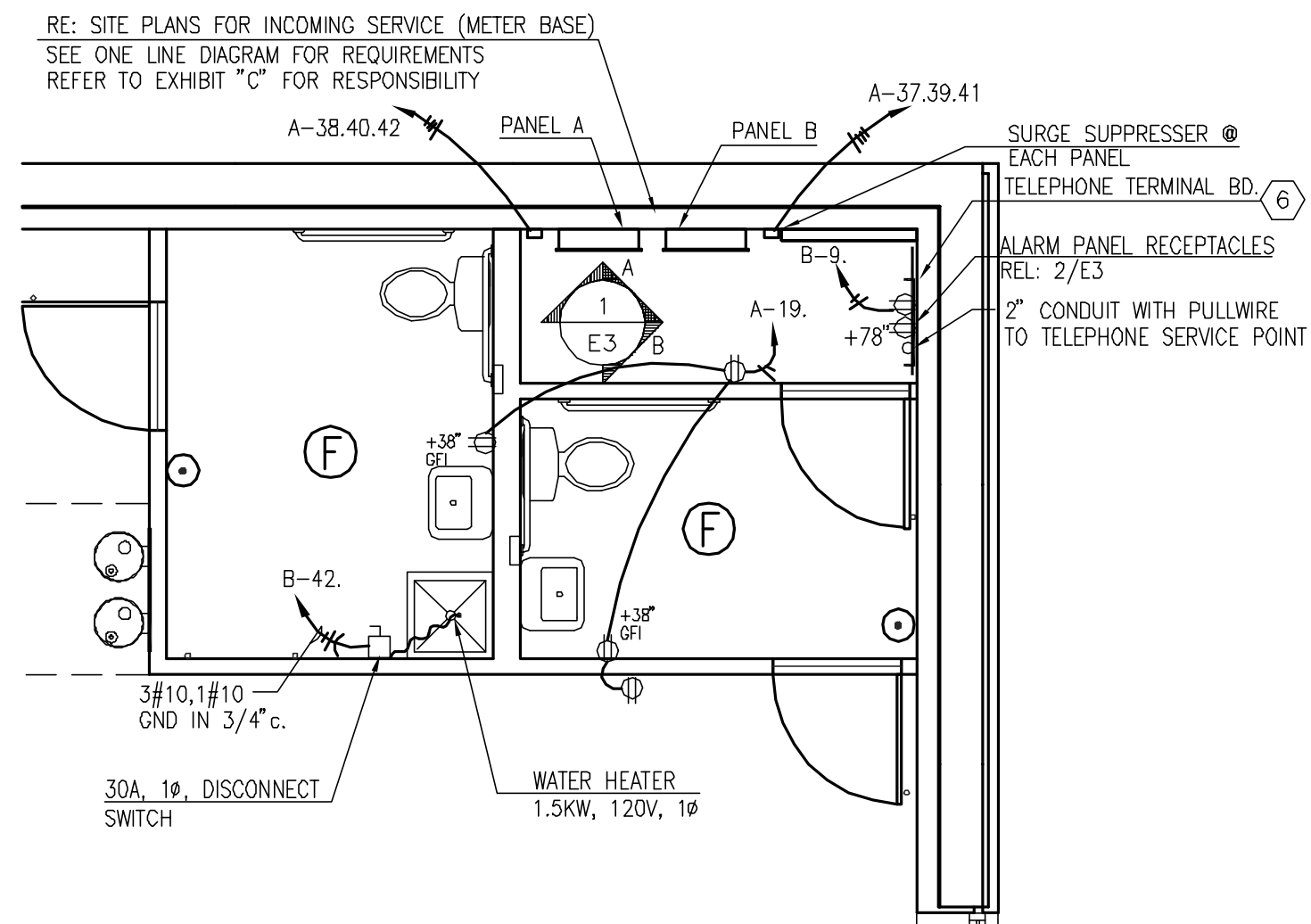


GENERAL NOTES

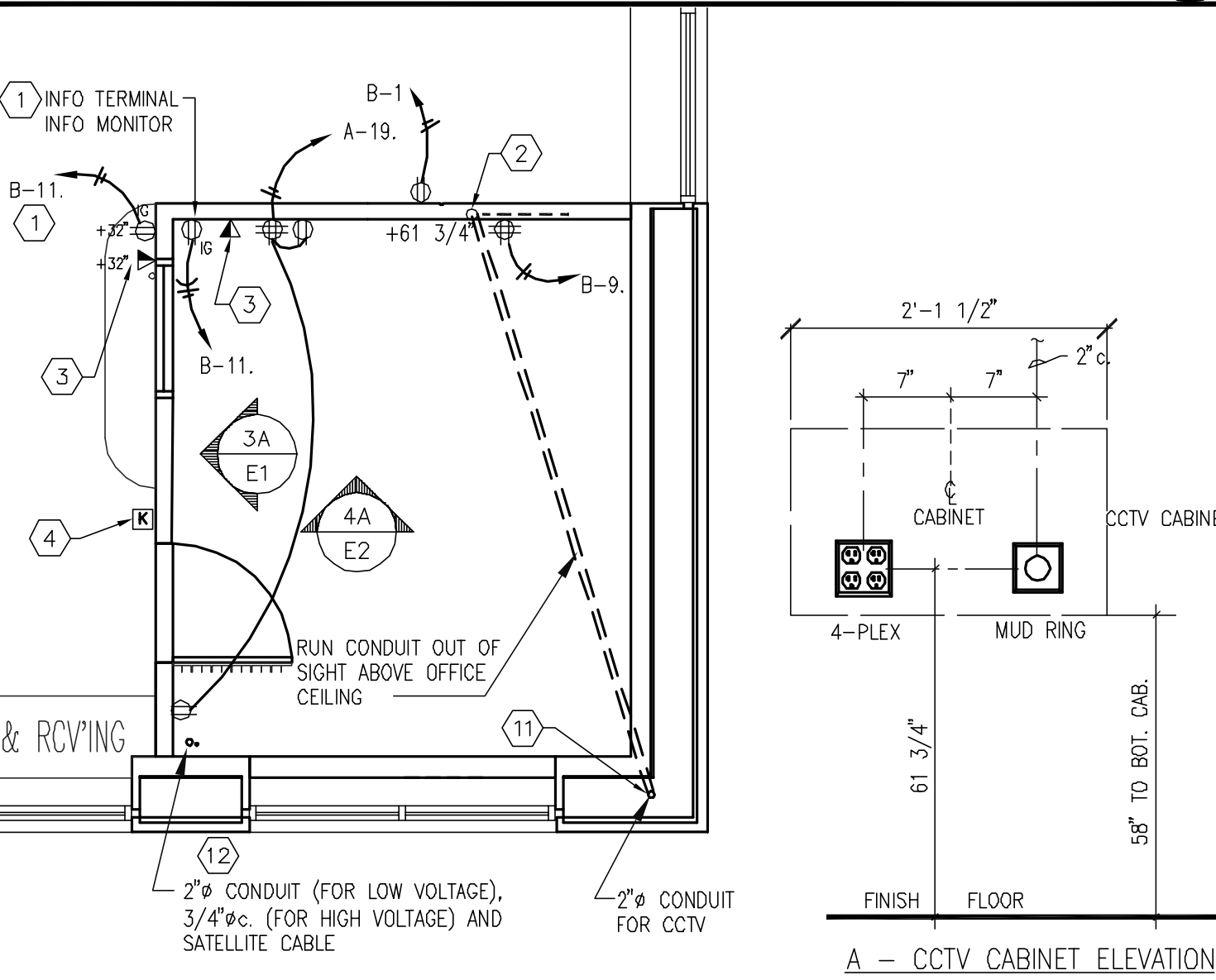
1. TYPE MC (METAL-CLAD) CABLE MAY BE USED ON THIS PROJECT SUBJECT TO THE FOLLOWING:
 - A. THE LOCAL AUTHORITIES HAVING JURISDICTION ALLOW THE USE OF MC CABLE.
 - B. THE BUILDING OWNER (AND /OR PROPERTY MANAGER) ALLOW THE USE OF MC CABLE.
 - C. THE CABLE AND INSTALLATION IS IN ACCORDANCE WITH ALL N.E.C. AND LOCAL CODE REQUIREMENTS.
 - D. THE MC CABLE CONDUCTOR SIZE, INSULATION (MINIMUM #12, AWG, THHN/THWN) AND CONFIGURATION IS AS REQUIRED FOR USE ON THIS PROJECT AND AN N.E.C. SIZED GREEN GROUNDING CONDUCTOR (MINIMUM #12 AWG, THHN/THWN) IS INCLUDED IN ALL CABLE ASSEMBLIES.
 - E. RECORD DRAWINGS SHALL REFLECT THE USE AND ROUTING LOCATIONS OF THE MC CABLE RUNS.
2. ALL OUTLETS & COVERPLATES IN SALES FLOOR AREA SHALL BE BLACK FINISH, EXCEPT ON WHITE FINISHED SURFACES, WHERE THEY SHALL BE WHITE.
3. EXPOSED CONDUIT SHALL NOT RISE ABOVE ANY INTERIOR PARTITION WALL. ALL EXPOSED CONDUIT SHALL RUN UP PERIMETER FULL HEIGHT WALLS.

KEY NOTES

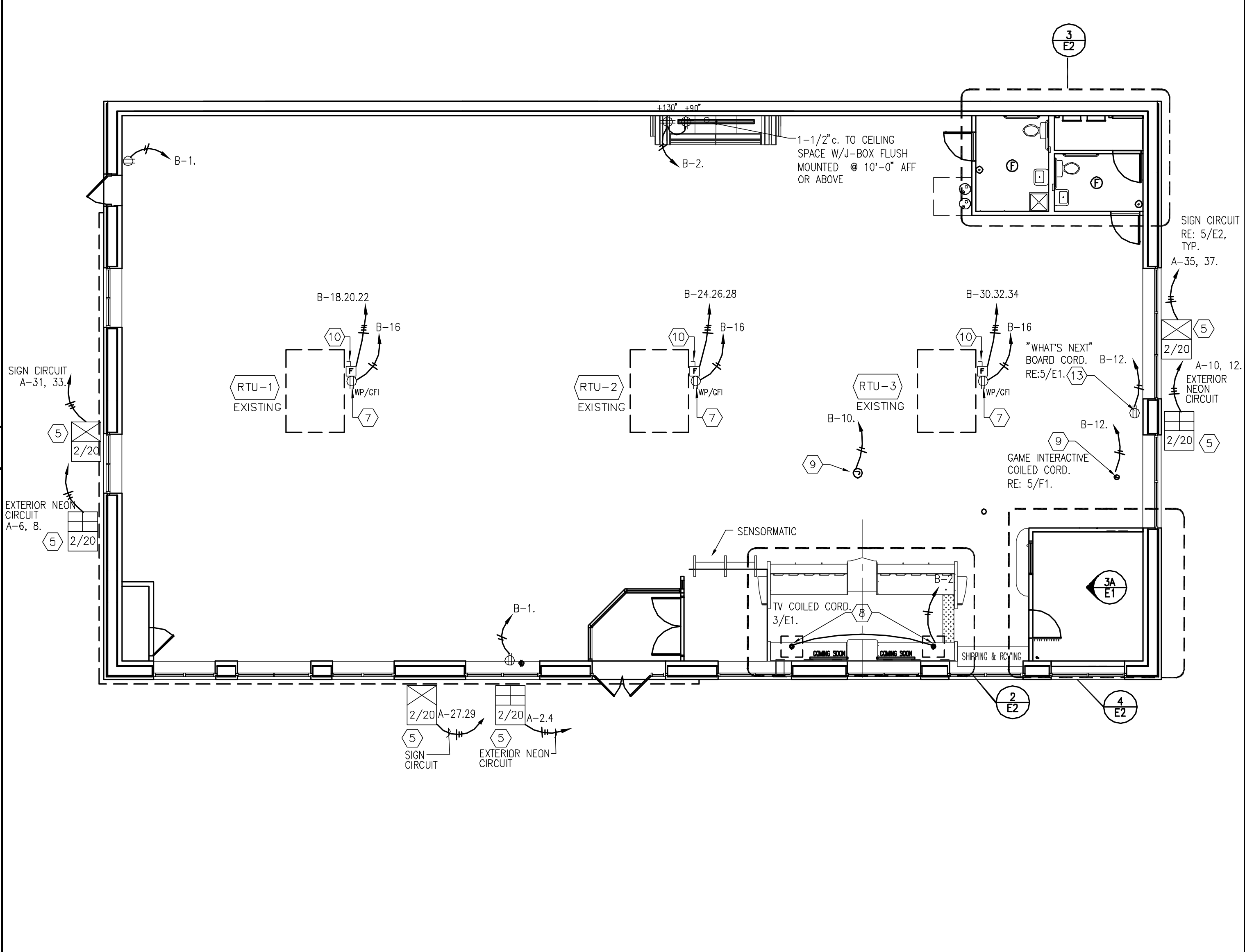
1. PROVIDE SEPARATE GROUND WIRE TO GROUND BUS IN PANEL AND SEPARATE NEUTRAL TO NEUTRAL BAR IN PANEL FOR THIS CIRCUIT. HUBBELL #G-5362 (ORANGE) ISOLATED GROUND RECEPTACLE.
2. INSTALL 2" DIA. CONDUIT (NOT TO EXTEND ABOVE OFFICE WALL) WITH PULL WIRE FOR CCTV LOW VOLTAGE. PROVIDE J-BOX WITH MUD RING PER 15/E2.
3. TELEPHONE/DATA OUTLET. PROVIDE SINGLE GANG JUNCTION BOX WITH MUD RING WITH 2" EMPTY CONDUIT WITH PULL WIRE TO CEILING SPACE (NOT TO EXTEND ABOVE TOP OF WALL). MOUNT OUTLET HORIZONTALLY INCLUDING ADJACENT POWER OUTLET.
4. ALARM KEYPAD. INSTALL SINGLE GANG JUNCTION BOX WITH MUD RING AT 4'-0" ABOVE FINISHED FLOOR. PROVIDE PULL WIRE FROM MUD RING TO 6" ABOVE CLG.
5. VERIFY LOCATIONS AND REQUIREMENTS OF NEON AND SIGNS. CONTACT SIGN AND NEON SUPPLIER TO DETERMINE EXACT ELECTRICAL REQUIREMENTS. CONTRACTOR TO INCLUDE THIS SERVICE IN BID. RE: SHEETS A6 & A7.
6. 3/4" THICK FIRE-TREATED PLYWOOD BACKBOARD REQUIRED FOR TELEPHONE TERMINAL.
7. PROVIDE WEATHER PROOF, GFI DUPLEX RECEPTACLE MOUNTED 6" ABOVE ROOF AT ROOF TOP UNIT. RE: CS FOR RESPONSIBILITY.
8. J-BOX FOR TELEVISION MOUNTED AT CEILING. WRAP FLEX CORD SPIRALED AROUND VERTICAL POST OF TV BRACKET. COORDINATE & SUPPLY CORD CAP FOR TV.
9. J-BOX FOR COILED CORD. COORDINATE & SUPPLY CORD CAP AND RECEPTACLE TYPE WITH EQUIPMENT. LENGTH OF CORD TO BE DETERMINED IN FIELD. VERIFY LOCATION WITH CONSTRUCTION MANAGER & COORDINATE WITH FIXTURE & REFLECTED CEILING PLANS. GC TO SUPPLY SURGE SUPPRESSOR FOR GAME INTERACTIVE UNIT AND COOLER IF COAX CABLE IS REQUIRED-RUN CABLE THROUGH CENTER OF COILED CORD. RE: 20/E1.
10. ELECTRICAL CONNECTION FOR EXISTING MECHANICAL EQUIPMENT. COORDINATE WITH MECHANICAL CONTRACTOR. VERIFY W/EXHIBIT "C" FOR RESPONSIBILITY.
11. INSTALL 2" CONDUIT WITH PULL WIRE FROM 8'-6" AFF TO BOTTOM OF ROOF STRUCTURE FOR CCTV LOW VOLTAGE.
12. RUN 2" & 3/4" CONDUIT WITH PULL WIRE AND SATELLITE CABLE FROM BOTTOM OF ROOF STRUCTURE TO 33" AFF. THROUGH OFFICE WALL, CONTINUE RUN TIGHT TO UNDER SIDE OF SHIPPING AND RECEIVING COUNTER.
13. DUPLEX FOR "WHAT'S NEXT" BOARD MOUNTED TO TOP RAIL OF CHAINLINK PARTITION. PROVIDE 3/4" FLEX CONDUIT BETWEEN FIXTURES.



RESTROOM PLAN 1/4"=1'-0" 3



OFFICE PLAN 1/4"=1'-0" 4



OFFICE PLAN 1/4"=1'-0" 1

NOTES 6

- TELEPHONE TERMINAL BOARD
- MAIN SWITCHBOARD AND METER
- FLUSH MOUNTED PANEL
- JUNCTION BOX
- DUPLEX RECEPTACLE
- DUPLEX RECEPTACLE WITH GROUND FAULT INTERRUPTER
- WATERPROOF DUPLEX RECEPTACLE
- DOUBLE DUPLEX RECEPTACLE
- FUSED DISCONNECT SWITCH
- TELEPHONE OUTLET
- TELE/DATA
- ALARM KEY PAD
- TRANSFORMER
- INTERIOR MAIN JUNCTION BOX
- 2/20 NUMBER OF 120 VOLT, 20 AMP CIRCUITS
- 3/20 ROOFTOP WEATHER TIGHT JUNCTION BOX
- NUMBER OF 120 VOLT, 20 AMP CIRCUITS

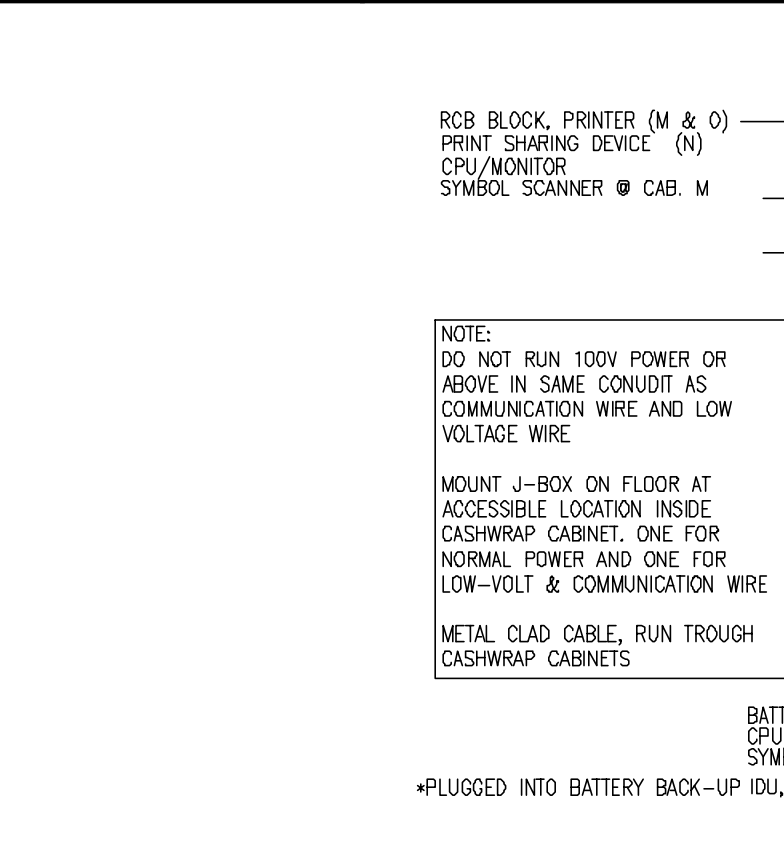
ELECTRICAL POWER LEGEND 7

OFFICE PLAN 1/4"=1'-0" 4

- SIGN CIRCUIT REQUIREMENTS**
- CHANNEL LETTERS UP TO 36"/20" 1 CIRCUIT
 - CHANNEL LETTERS 36"/24" AND LARGER 2 CIRCUITS
 - MOUNTAIN NEON UP TO 55'-3" LONG MOUNTAIN 1 CIRCUIT
 - MOUNTAIN NEON 60'-0" AND LONGER MOUNTAINS 2 CIRCUITS
 - NEON RAYS SETS 1 CIRCUIT
 - OPTION 5 ALUMINUM SIGN, ALL SIZES 2 CIRCUITS
 - PYLON AND MONUMENT SIGNS SITE SPECIFIC
- NOTE: THE ABOVE REQUIREMENTS ARE TO BE USED AS A GUIDELINE. VERIFY CIRCUITS REQUIRED WITH SIGN COMPANY.

SIGN CIRCUIT REQUIREMENTS 5

OFFICE PLAN 1/4"=1'-0" 1



CASHWRAP DETAILS 2

JAMES C. ALBERTS
 License #6691
 Exp. 12/31/05

REVISIONS:

PROJECT: 304121

PORTLAND/MARGINAL WAY
 160 PREBLE STREET
 PORTLAND, ME 04104
 STORE #019101

SHEET TITLE
POWER PLAN
 (THIS SHEET FOR INFORMATION ONLY)

TEMPLATE: 2003.2
 DESIGN CONSTRUCTION BULLETIN

DRAWN BY: EBH
 CHECKED BY: EBH
 SCALE: AS NOTED
 DATE: 03-12-04

SHEET NO. **E2**