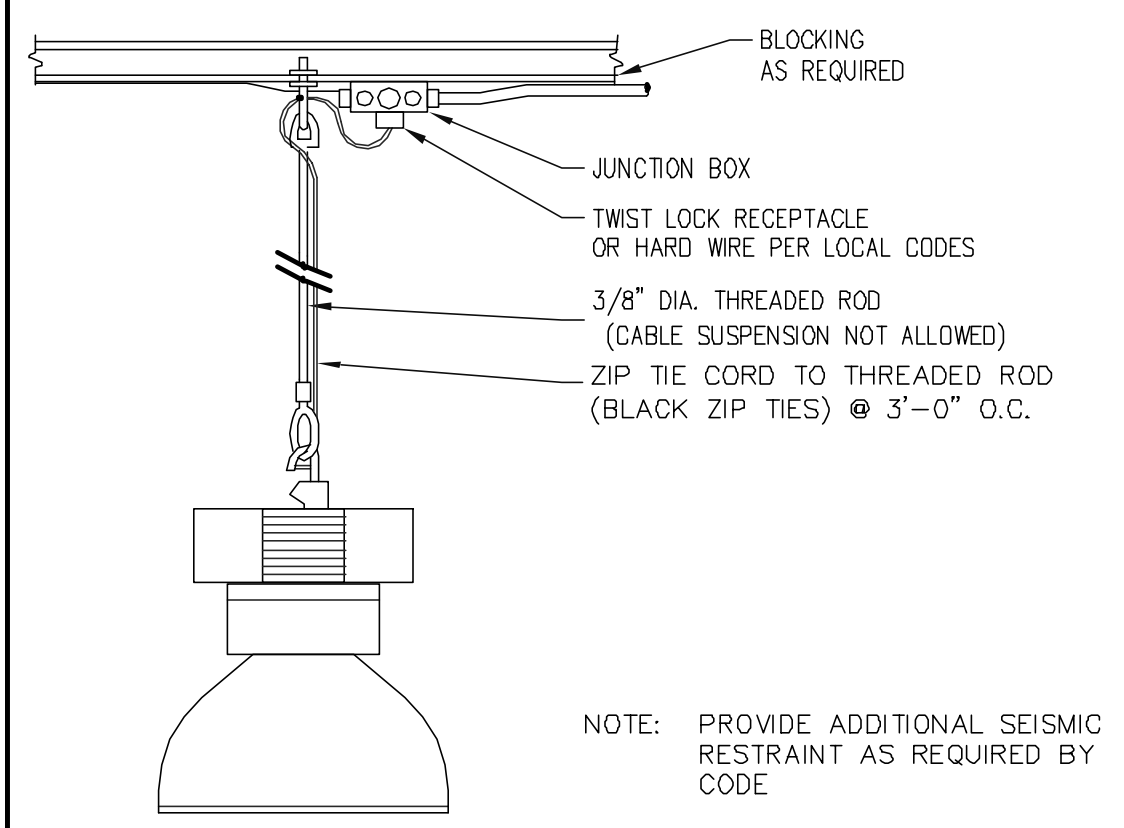


**GENERAL NOTES**

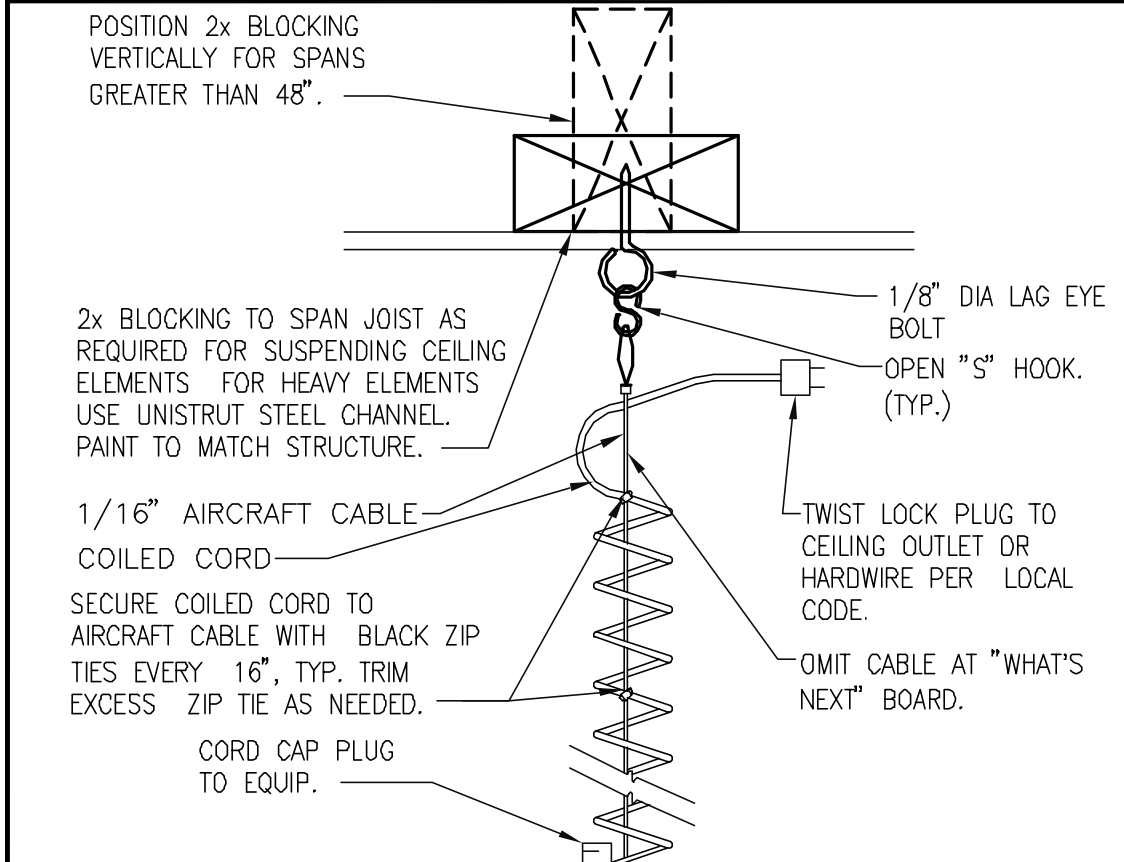
1. CONTRACTOR SHALL VERIFY QUANTITY OF ALL LUMINAIRES PRIOR TO ORDER.
2. REFER TO SUPPLY & INSTALLATION SCHEDULE ON COVER SHEET.
3. ALL HI-BAY LIGHTS ARE TO BE MOUNTED AT 12'-0" AFF (BOTTOM OF LENS) UNLESS OTHERWISE SPECIFIED.

**KEY NOTES**

1. EMERGENCY LIGHTS/NIGHT LIGHTS - LIGHTS TO REMAIN ON 24 HOURS WIRE TO UNSWITCHED LEG OF CIRCUIT INDICATED. PROVIDE 90 MINUTES SELF-CONTAINED BATTERIES FOR EMERGENCY OPERATION OF (1) LAMP AT 350-450 LUMENS (VERIFY WITH LOCAL CODE REQUIREMENTS). MOUNT LUMINAIRE TIGHT TO UNDERSIDE OF STRUCTURAL DECK.
2. EXIT LIGHT/BATTERY BACK UP LIGHT, WIRE TO UNSWITCHED LEG OF CIRCUIT INDICATED. MOUNT EXIT LIGHTS AT 12'-0" AFF SO AS NOT TO INTERFERE WITH HEADER GRAPHICS.
3. VERIFY EXACT LOCATIONS, QUANTITY AND MOUNTING HEIGHT WITH ARCHITECTURAL EXTERIOR ELEVATION DRAWINGS PRIOR TO ROUGH-IN. USE #10 WIRE FOR EXTERIOR LIGHTS.
4. LOCATION OF ROOF PENETRATION/CONDUIT FOR SATELLITE - SEE LEASE EXHIBIT "C" FOR RESPONSIBILITY. RE: 1/A4
5. SWITCHES FOR CIRCUITS INDICATED IN DETAIL 3/E1
6. FLUORESCENT LIGHT FIXTURE MOUNTED TO TOP OF TV FIXTURE BEHIND MOUNTAIN PROFILE
7. 48" SHOPLIGHT MOUNTED TO TOP RAIL OF CHAINLINK PARTITION OR TO WALL. PROVIDE 3/4" FLEX CONDUIT BETWEEN FIXTURES, RE: 6/E1.



**PENDANT LIGHT DETAIL** 1/8"=1'-0" 4



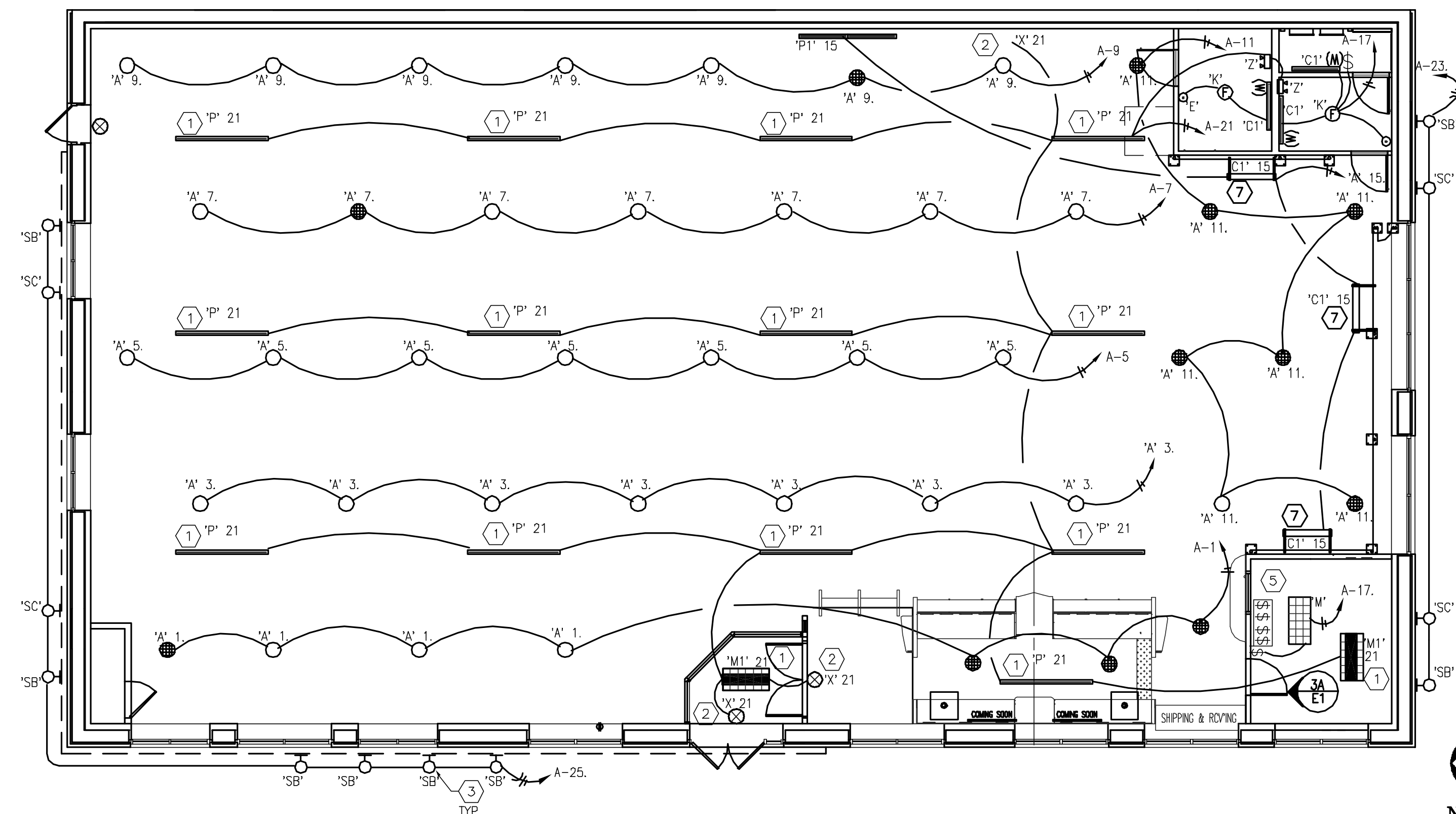
**COILED CORD DETAIL** 1/2"=1'-0" 5

**NOTES**

- RECESSED FLUORESCENT 2x4 NIGHT LIGHT/EMERGENCY
- RECESSED FLUORESCENT 2x4 PARABOLIC LUMINAIRE
- PENDANT MOUNT HID LUMINAIRE SUSPENDED BY ALL THREAD
- PENDANT MOUNT HID LUMINAIRE OFFSET FROM TYPICAL SPACINGS
- PENDANT MOUNTED EXIT SIGN
- DUAL BATT BACK-UP EMERGENCY LTS
- RESTROOM RECESSED EXHAUST FAN, VENT THROUGH ROOF
- SURFACE MOUNTED 8" STRIP EMERGENCY LIGHT
- WALL MOUNTED LUMINAIRE
- JUNCTION BOX
- SINGLE POLE SWITCH
- COILED CORD
- WALL MOUNTED FLUORESCENT 4" STRIP LIGHT
- 4 SWITCH GANG BOX & COVER PLATE
- WALL MOUNTED MOTION SENSOR
- 48" SHOPLIGHT MOUNTED TO TOP RAIL OF CHAINLINK PARTITION, RE: 6/E1

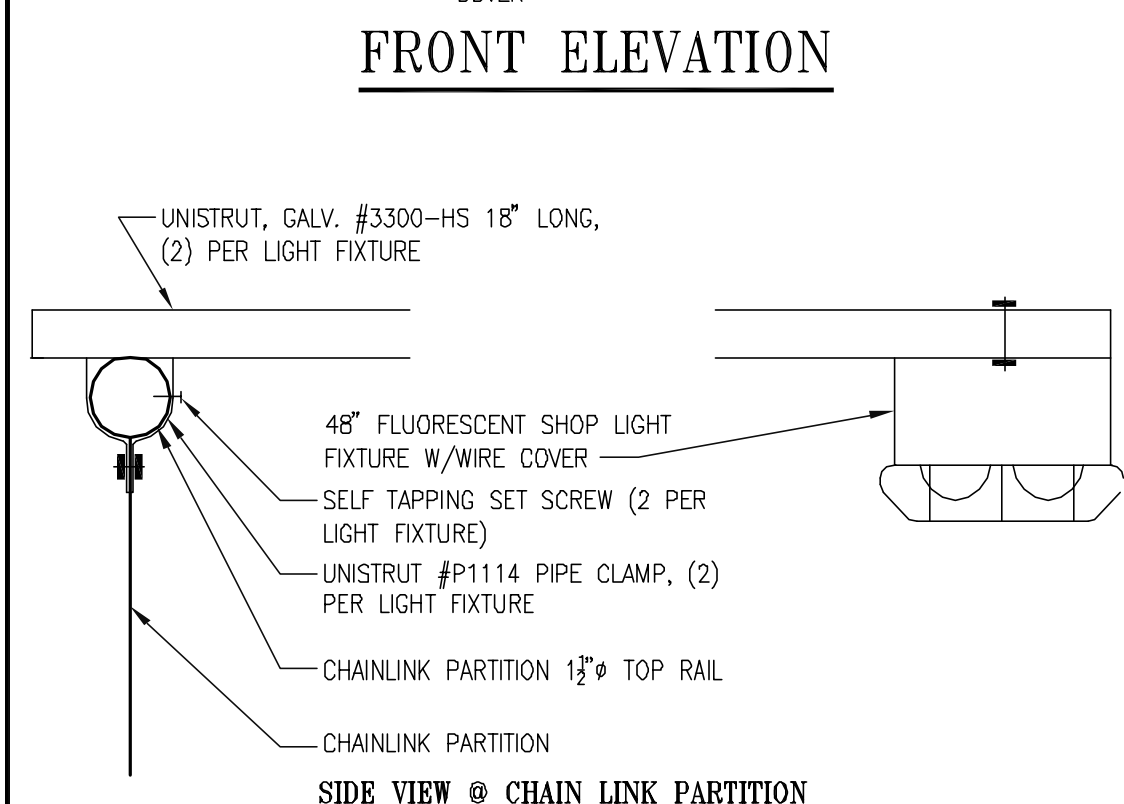
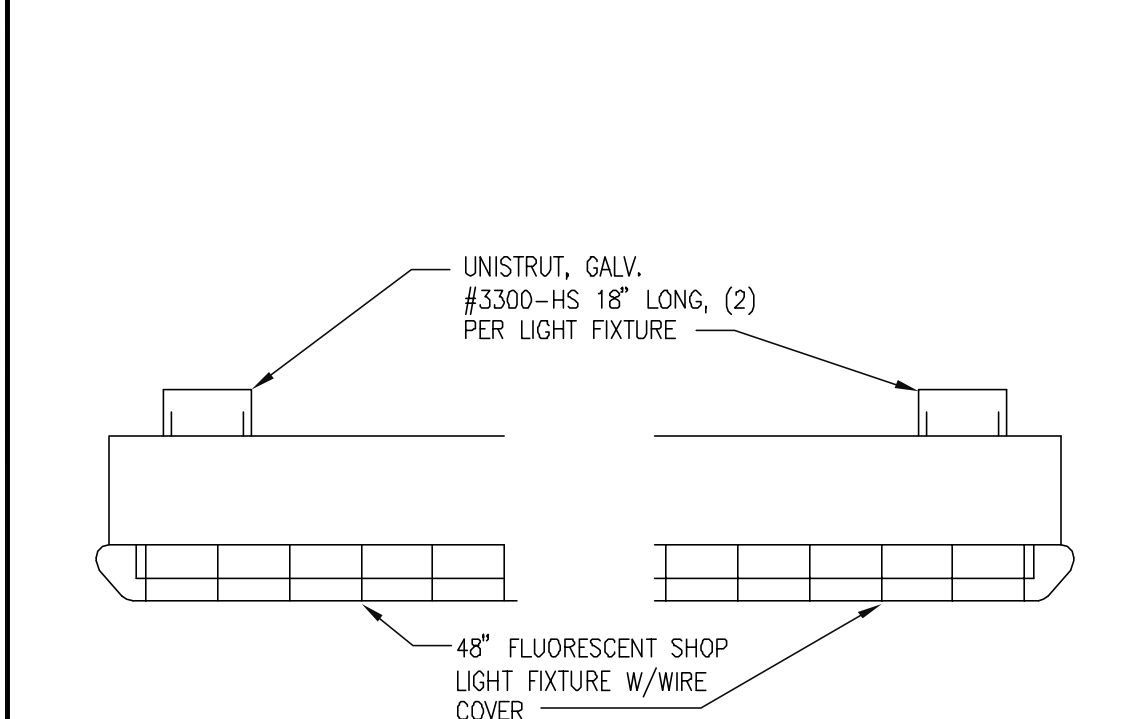
**7**

**FLOOR PLAN - LIGHTING (WITH VESTIBULE)** 1/8"=1'-0" 1

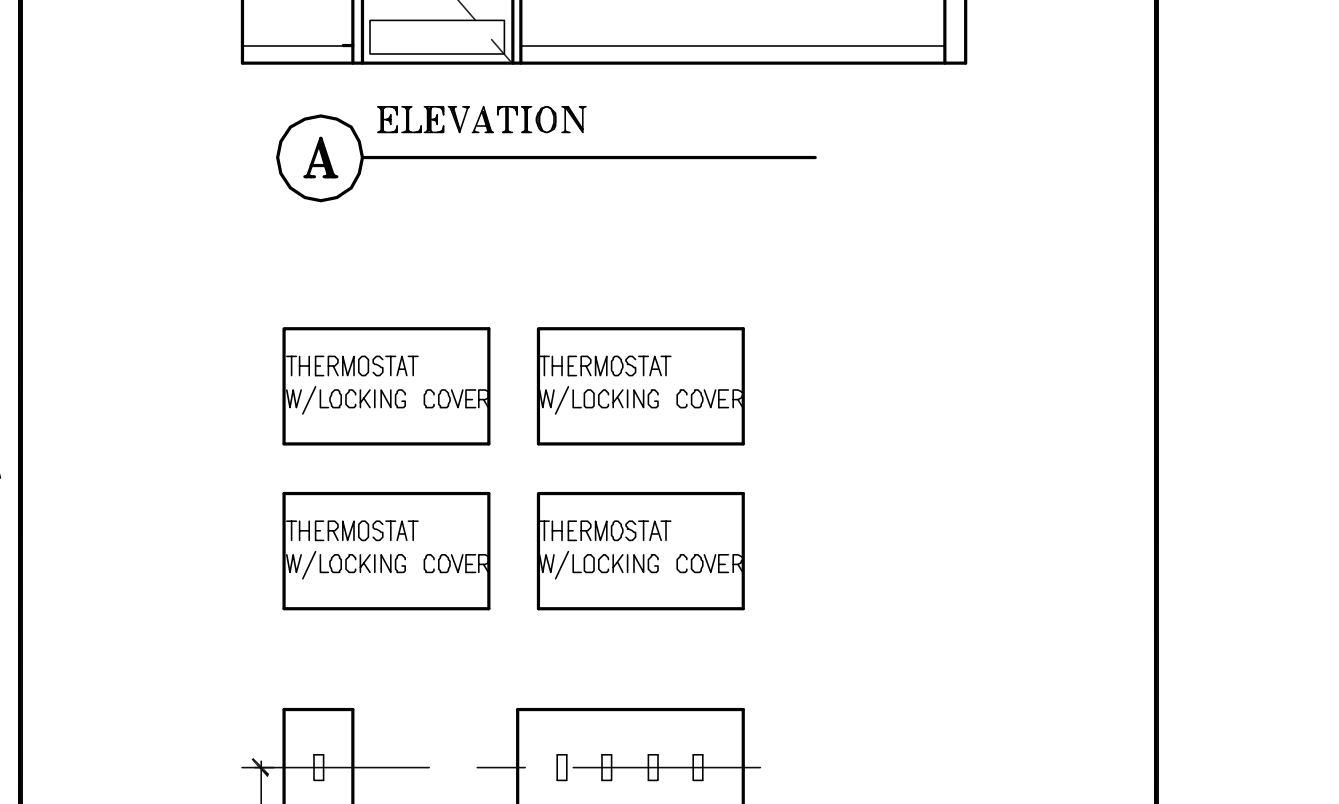
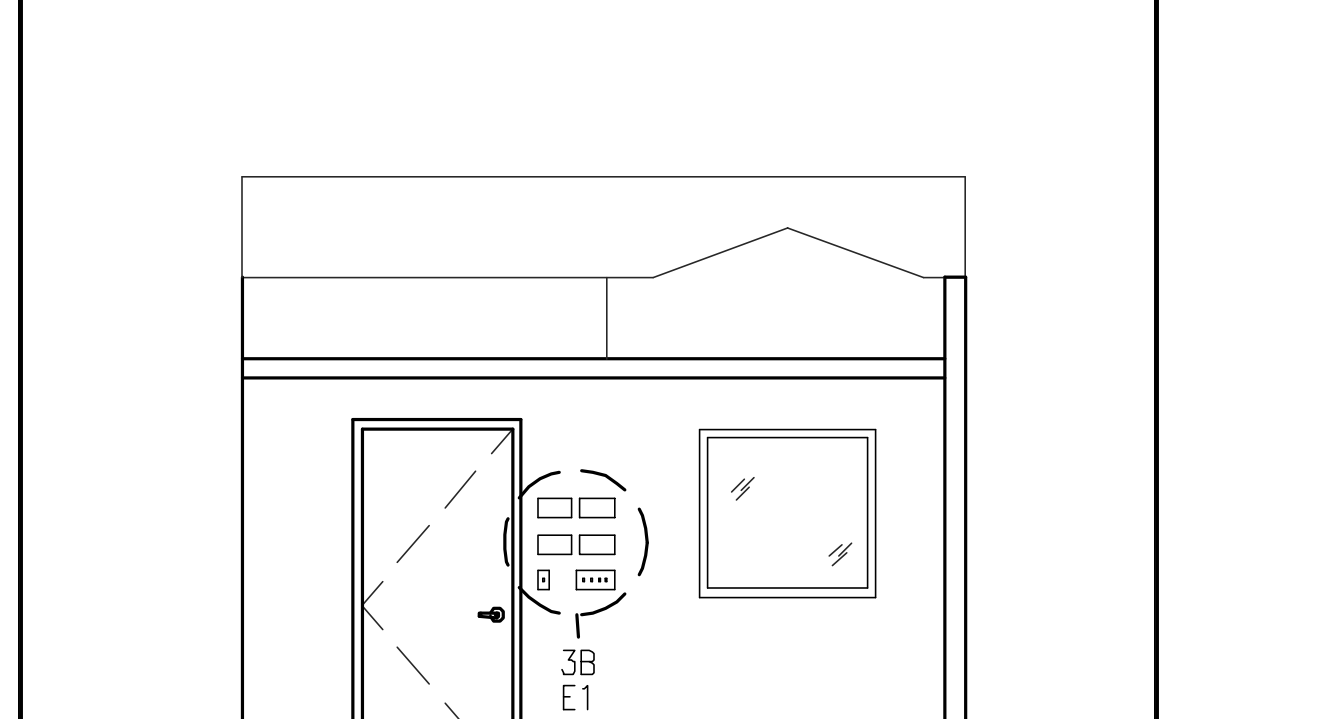


**8**

**6**



**SHOPLIGHT INSTALLATION** 3"=1'-0" 6



**ELECTRICAL SWITCH DETAIL** 3"=1'-0" 3

**5**

**LUMINAIRE SCHEDULE** 4

TYPE	LOCATION	DESCRIPTION	MODEL #	MANUFACTURER	WATTS
A	STANDARD CEILING 12'-0" AFF	FIXTURE: HIGH BAY REFLECTOR: 15" ALUMINUM OPEN LAMP: (1) PER FIXTURE	THC200MPA15120SCWA/H3P/ VENMP200/C/B/U/PS	LITHONIA	232
C1	GAME/RESTRM./UTIL (WALL MOUNT 8'-0" AFF AT ELECT. ROOM)	FIXTURE: 4' FLUORESCENT STRIP W/WIRE GUARD LAMP: (2) PER FIXTURE	C232120GEB/WGCLUN	LITHONIA	59
E	RESTROOM OCCUPANCY SENSOR	WALL MOUNT MOTION DETECTOR	IS2600VAW	LIGHTOLIER	
K	RESTROOM FAN	FIXTURE: RESTROOM FAN	6100	QMARK	84
M	MANAGER'S OFFICE	FIXTURE: RECESSED 2'x4' LENS: 18 CELL PARABOLIC LAMP: (3) PER FIXTURE	2PM3NGB33218LD1201/3GEB	LITHONIA	88
MI	MANAGER'S OFFICE EMERGENCY LIGHT/NIGHT LIGHT	FIXTURE: RECESSED 2'x4' LENS: 18 CELL PARABOLIC LAMP: (3) PER FIXTURE	2PM3NGB33218LD1201/3GEB-EL	LITHONIA	88
P	EMERGENCY LIGHT/NIGHT LIGHT	FIXTURE: 8' FLUORESCENT STRIP LAMP: (4) PER FIXTURE	TC2321201/4GEB-EL	LITHONIA	112
P1	TV FIXTURE	FIXTURE: 8' FLUORESCENT STRIP LAMP: (4) PER FIXTURE	LAMPS: SYLVANIA F032741 TC2321201/4GEB	LITHONIA	112
SA	EXTERIOR SECURITY	FIXTURE: WALL PACK	TWP100MTBPI	LITHONIA	129
SB	EXTERIOR WALLS, PARKING, WALKWAYS	FIXTURE: DOWN LIGHT	WD14D3/175MH/MT/BL-P LAMP: MH175UMED	KIM	210
SC	EXTERIOR WALLS, MOUNTAINS	FIXTURE: UP LIGHT	WD14UG/175MH/MT/BL-P LAMP: MH175UMED	KIM	210
X	EXIT SIGN-PENDANT	EXIT ONLY	RXL10RW 18" PENDANT KIT: 76B4-18W	ROYAL	2
Z	RESTROOM EMERGENCY LIGHT	FIXTURE: EMERGENCY WALL MOUNT LAMP: (2) PER FIXTURE	REL-1W	ROYAL	

LIGHT FIXTURE VENDOR: PDMS, INC., 3100 E. RANDOL MILL RD., ARLINGTON, TX 76011, (817) 633-4200

**ELECTRICAL LIGHTING LEGEND** 8

**SHOPLIGHT INSTALLATION** 3"=1'-0" 6

**ELECTRICAL SWITCH DETAIL** 3"=1'-0" 3

**LUMINAIRE SCHEDULE** 4



9275 S.W. PEYTON LANE  
WILSONVILLE, OREGON 97070  
PHONE (503) 570-1600

JAMES C. ALBERTS  
License #6691  
Exp. 12/31/05

REVISIONS:


PROJECT: 304121

PORTLAND/MARGINAL WAY  
160 PREBLE STREET  
PORTLAND, ME 04104  
STORE #019101

**SHEET TITLE**  
**LIGHTING PLAN**  
(THIS SHEET FOR INFORMATION ONLY)

TEMPLATE: 2003.2	DRAWN BY: EBH
DESIGN CONSTRUCTION BULLETIN:	CHECKED BY: EBH
SCALE: AS NOTED	DATE: 03-12-04

SHEET NO. **E1**