

The professional of record is practicing as an individual.

RALPH R. SHAW
PROFESSIONAL OF RECORD
PHONE: 314-821-1100
LICENSE NO. 10001787

REVISIONS:

PROJECT: 304121

PORTLAND/MARGINAL WAY
160 PREBLE STREET
PORTLAND, ME 04104
STORE #019101

SHEET TITLE

DOOR & WINDOW DETAILS

TEMPLATE: 2003.2
DESIGN CONSTRUCTION BULLETIN:
DRAWN BY: RBM
CHECKED BY: RJB
SCALE: AS NOTED
DATE: 03-12-04

SHEET NO.

A7

NOT USED

11

NOT USED

7

NOT USED

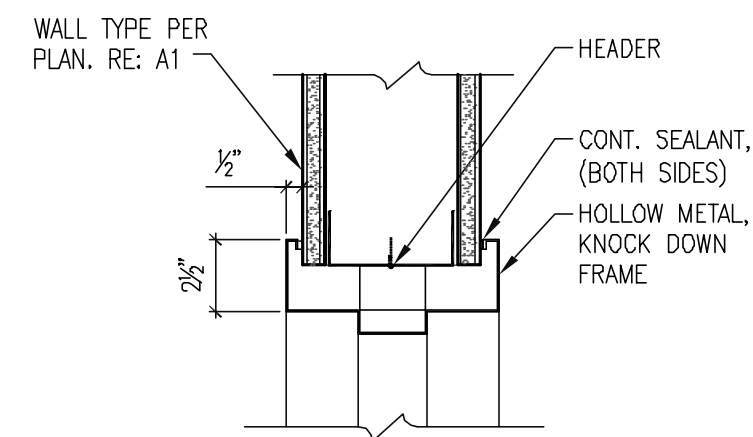
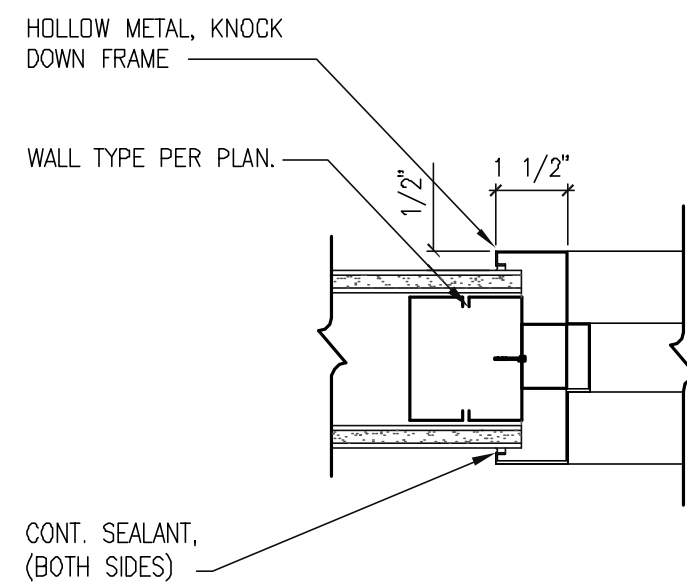
5

NOT USED

4

NOT USED

1



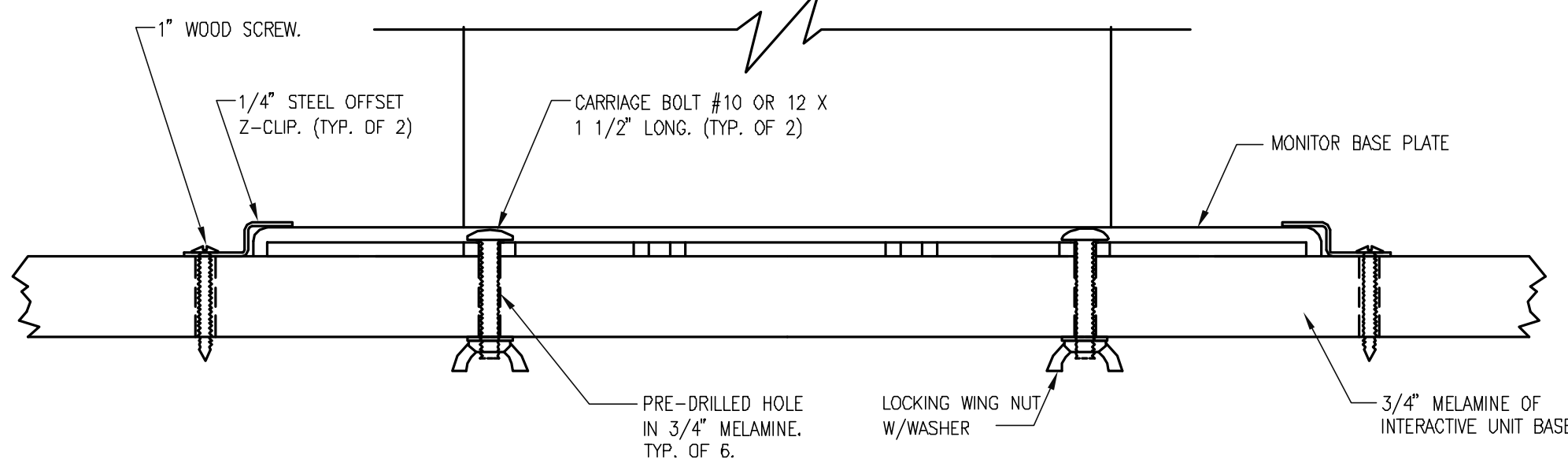
INTERIOR DOOR JAMB

3"=1'-0"

12

VESTIBULE DOOR HEAD (JAMB SIM.) 3"=1'-0"

8



NOTE: SEE PLAN DETAIL FOR LOCATION OF PRE-DRILLED HOLES.

INTERACTIVE MONITOR MOUNTING DETAIL

9

NOT USED

13

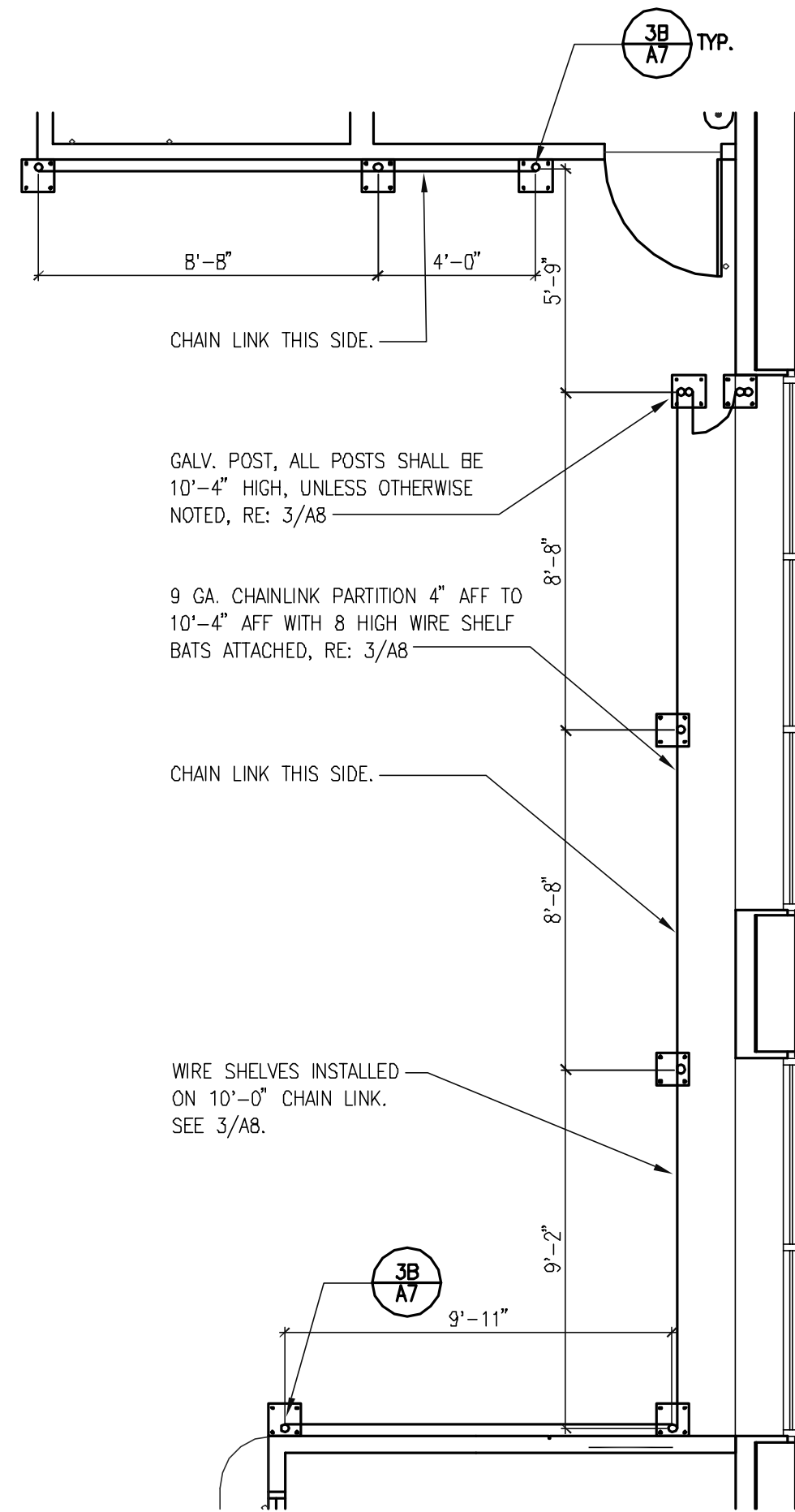
NOT USED

10

ENLARGED GAME CAGE

1/4"=1'-0"

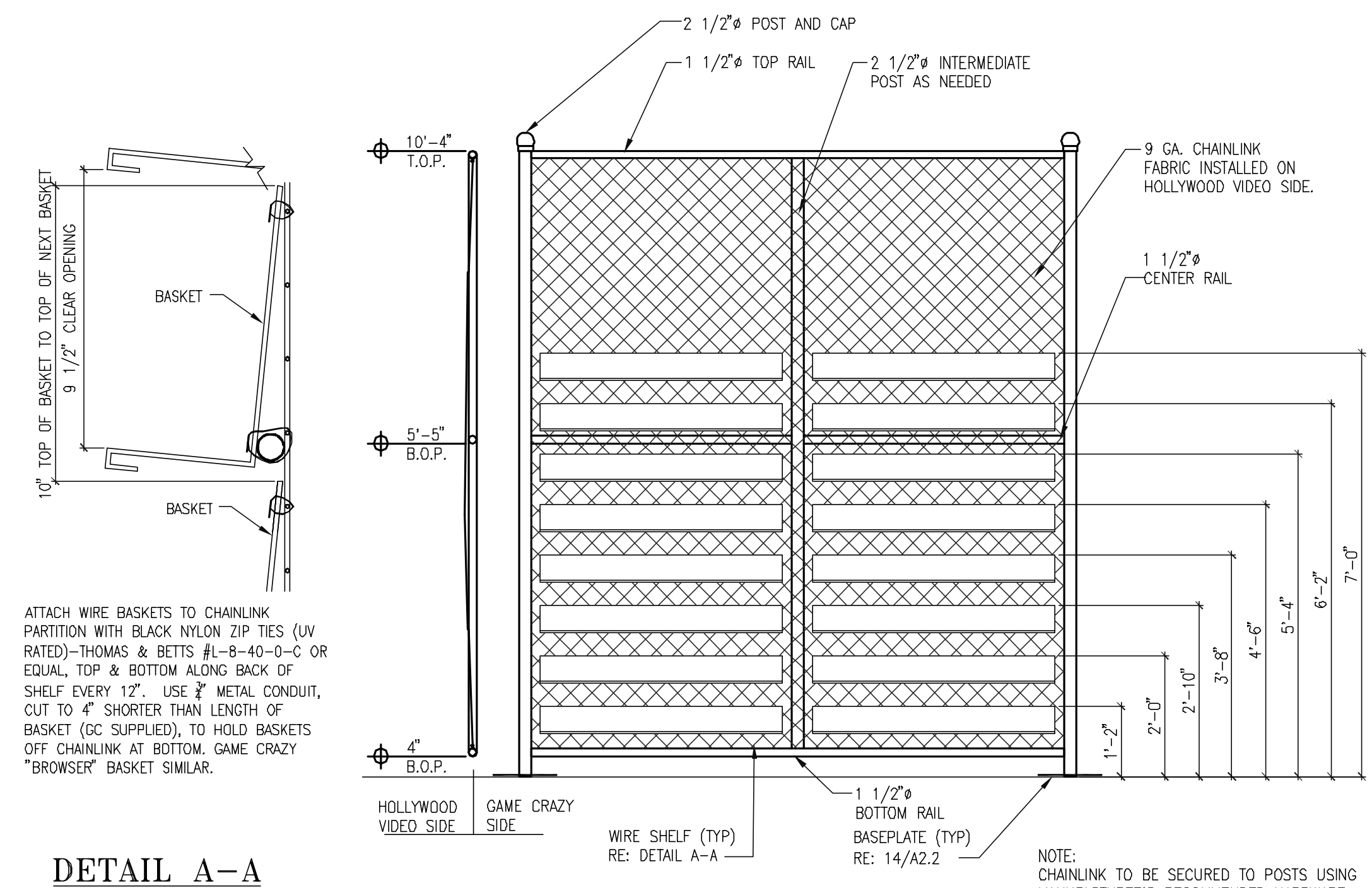
6



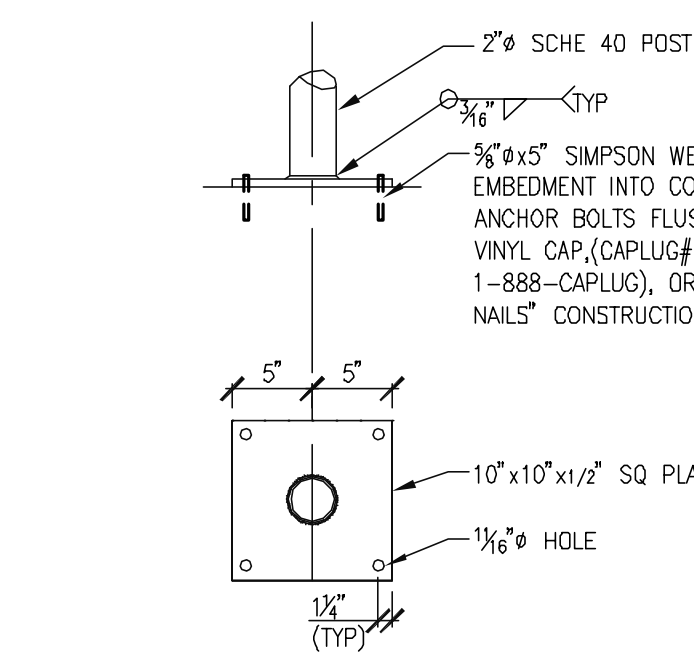
GAME CAGE PARTITION

1/2"=1'-0"

2

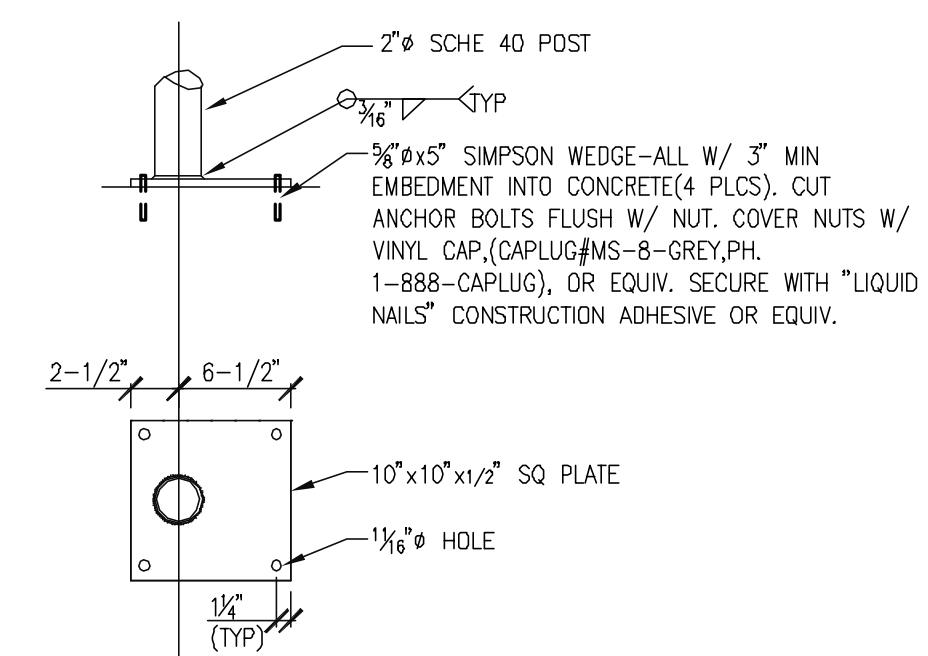


DETAIL A-A



A BASEPLATE DETAIL

NOTE: CONTRACTOR TO VERIFY THAT CONCRETE IS SOUND FOR ANCHORS WITH MIN. 3" EMBEDMENT. CONTRACTOR TO NOTIFY OWNER IF OTHERWISE.



B OFFSET BASEPLATE DETAIL

NOT USED

13

NOT USED

10

ENLARGED GAME CAGE

1/4"=1'-0"

6

CHAINLINK POST BASE DETAIL

1"=1'-0"

3