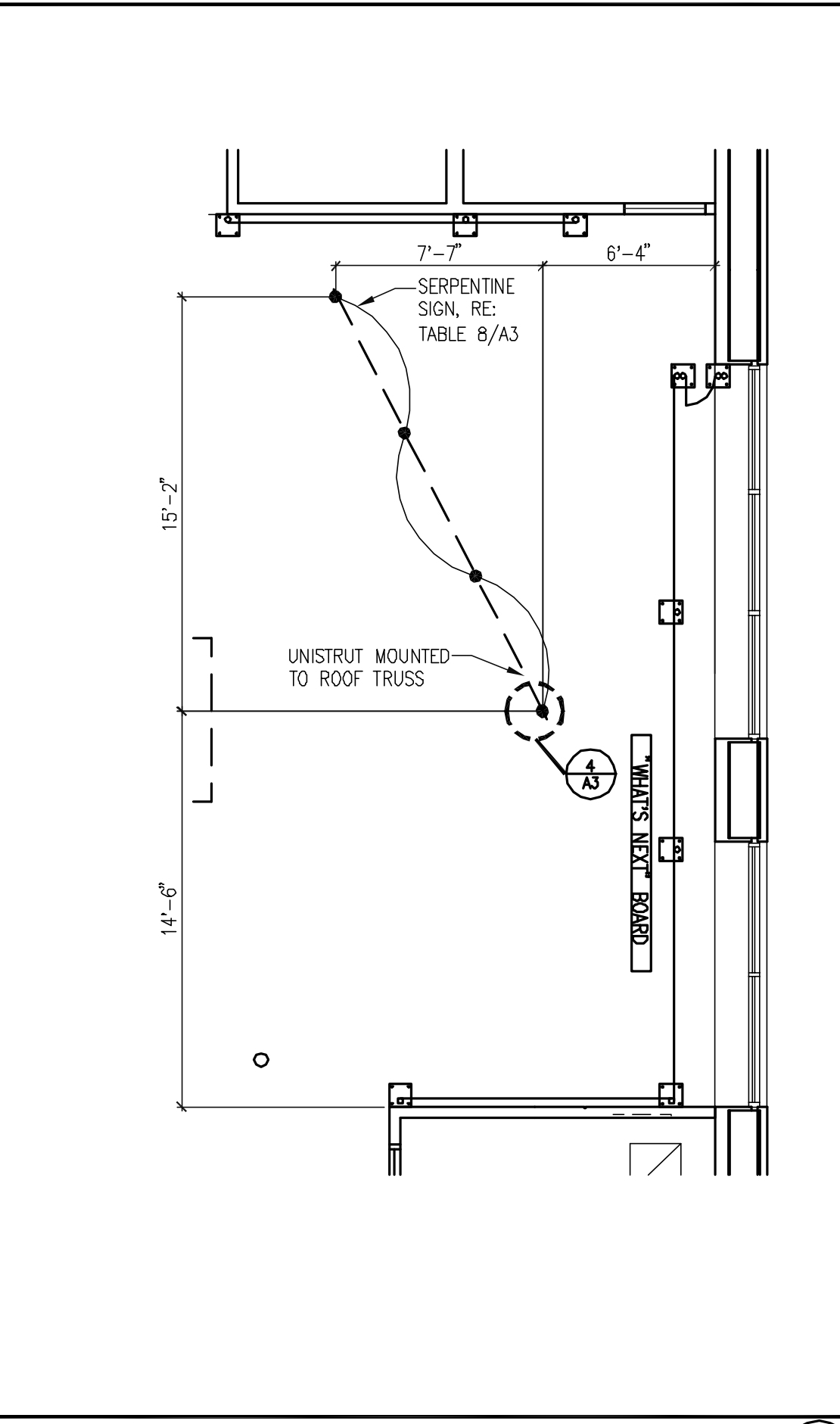
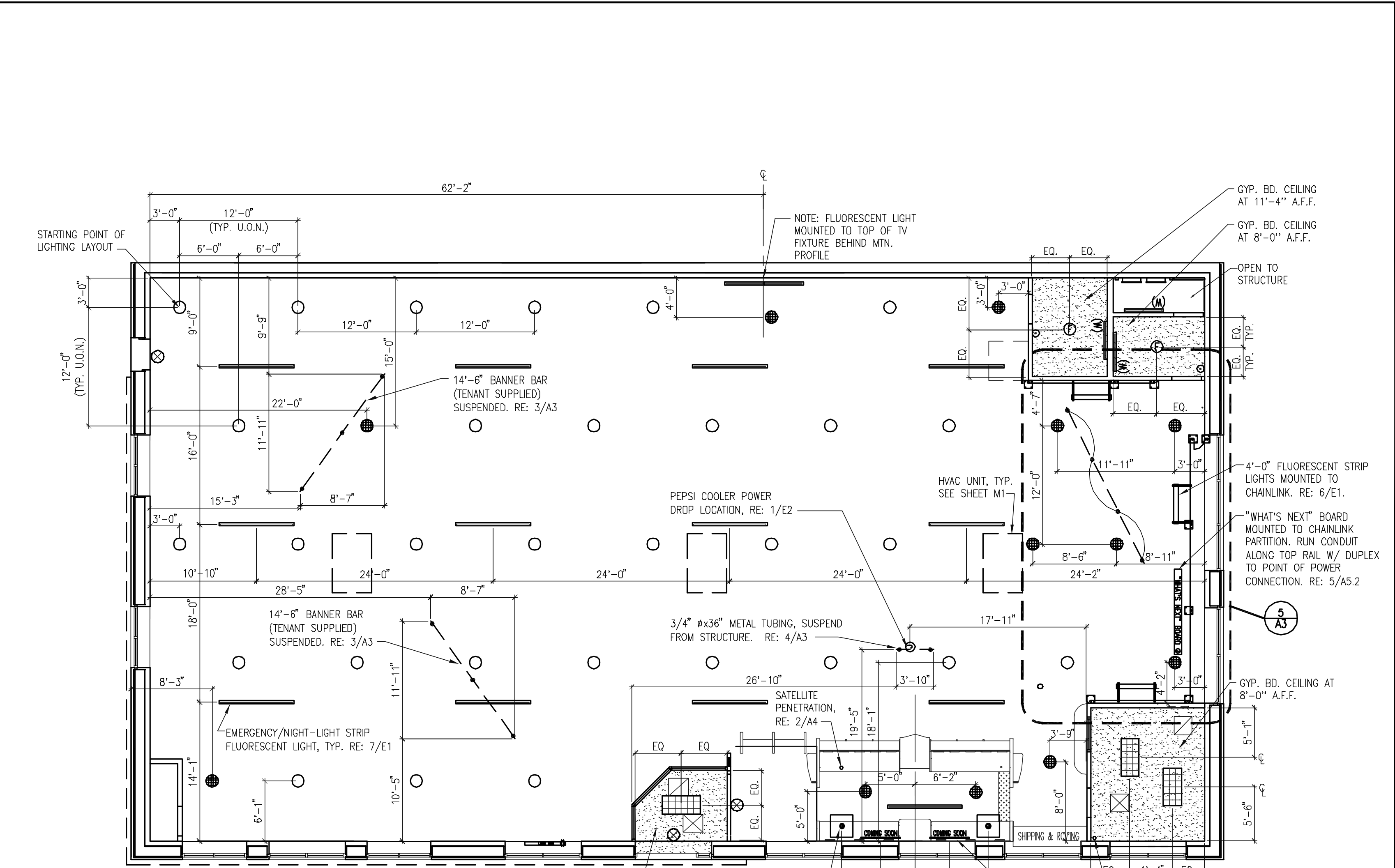


7 TYP. TV SUSPENSION DETAIL



5 SERPENTINE SIGN LOCATION



1 CEILING PLAN

ITEM	HEIGHT	NOTES
DVD BANNER BAR	11'-0" A.F.F.	SEE NOTE A
BANNER BAR	10'-0" A.F.F.	SEE NOTE A
SERPENTINE SIGN	9'-0" A.F.F.	MIN. 7'-0" A.F.F. FOR DROP-DOWN CEILING, VERIFY W/CM SEE NOTE B
"MOVIE MUNCHIES" SIGN	11'-0" A.F.F.	SEE NOTE A
"COMING SOON" BOARD	5'-0" A.F.F.	TO BOTTOM OF BOARD, SEE NOTE A
TV BRACKETS	7'-6" A.F.F.	BOTTOM OF BRACKET, SEE NOTE B. RE: 7/A3

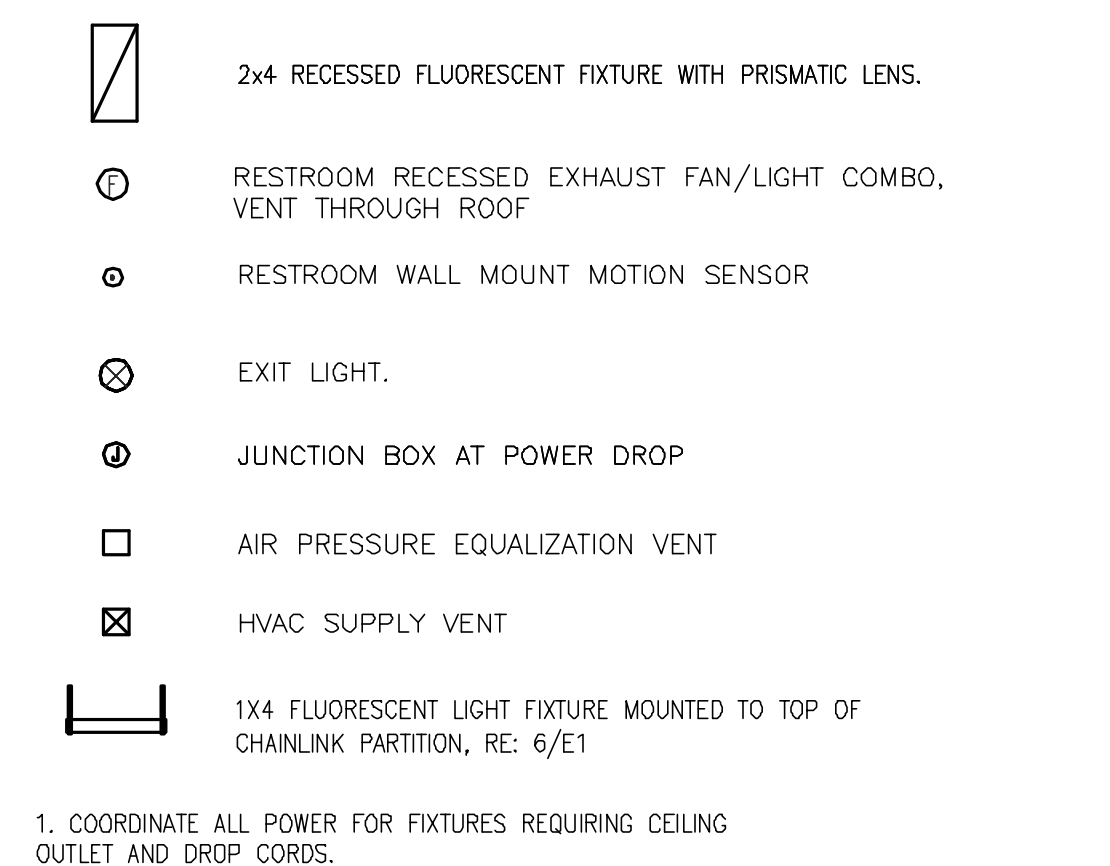
NOTES:
A. FOR STORES WITH DROP-DOWN CEILING, SIGN ELEMENTS SHALL BE SUSPENDED FROM GRID.
B. FOR STORES WITH DROP-DOWN CEILING, SIGN SUPPORTS SHALL BE INSTALLED ABOVE GRID.

ITEM	DESCRIPTION
[Stippled Area]	GYPSUM BOARD CEILING.
[Square with dot]	ADJUSTABLE YOKE CEILING MOUNT FOR TV (MIN. 7'-6" A.F.F. TO BOT. OF MOUNT) COORDINATE POWER REQUIREMENTS W/SHEET E2.
[Arrow]	3/4" Ø METAL TUBING
[Circle]	HIGH BAY LIGHT FIXTURE SUSPENDED @ 12'-0" A.F.F. TO BOT. FIXTURE.
[Circle with dot]	HIGH BAY LIGHT FIXTURE SHIFTED FROM TYP. SPACING AS NOTED ON PLAN. *MIN 6" CLEARANCE FROM ADJACENT CLG. ELEMENTS.
[Horizontal line]	SURFACE MOUNT STRIP FLUORESCENT LIGHT FIXTURE.
[Horizontal line with wavy top]	SURFACE MOUNT STRIP FLUORESCENT LIGHT FIXTURE W/ WIRE GUARD
[Grid]	2x4 RECESSED FLUORESCENT FIXTURE WITH 18 CELL PARABOLIC LENS.
[Grid with diagonal lines]	2x4 RECESSED FLUORESCENT FIXTURE WITH PRISMATIC LENS.
[Circle with cross]	RESTROOM RECESSED EXHAUST FAN/LIGHT COMBO, VENT THROUGH ROOF
[Circle with dot]	RESTROOM WALL MOUNT MOTION SENSOR
[Circle with X]	EXIT LIGHT.
[Circle with dot]	JUNCTION BOX AT POWER DROP
[Square]	AIR PRESSURE EQUALIZATION VENT
[Square with X]	HVAC SUPPLY VENT
[L-shaped symbol]	1x4 FLUORESCENT LIGHT FIXTURE MOUNTED TO TOP OF CHAINLINK PARTITION, RE: 6/E1

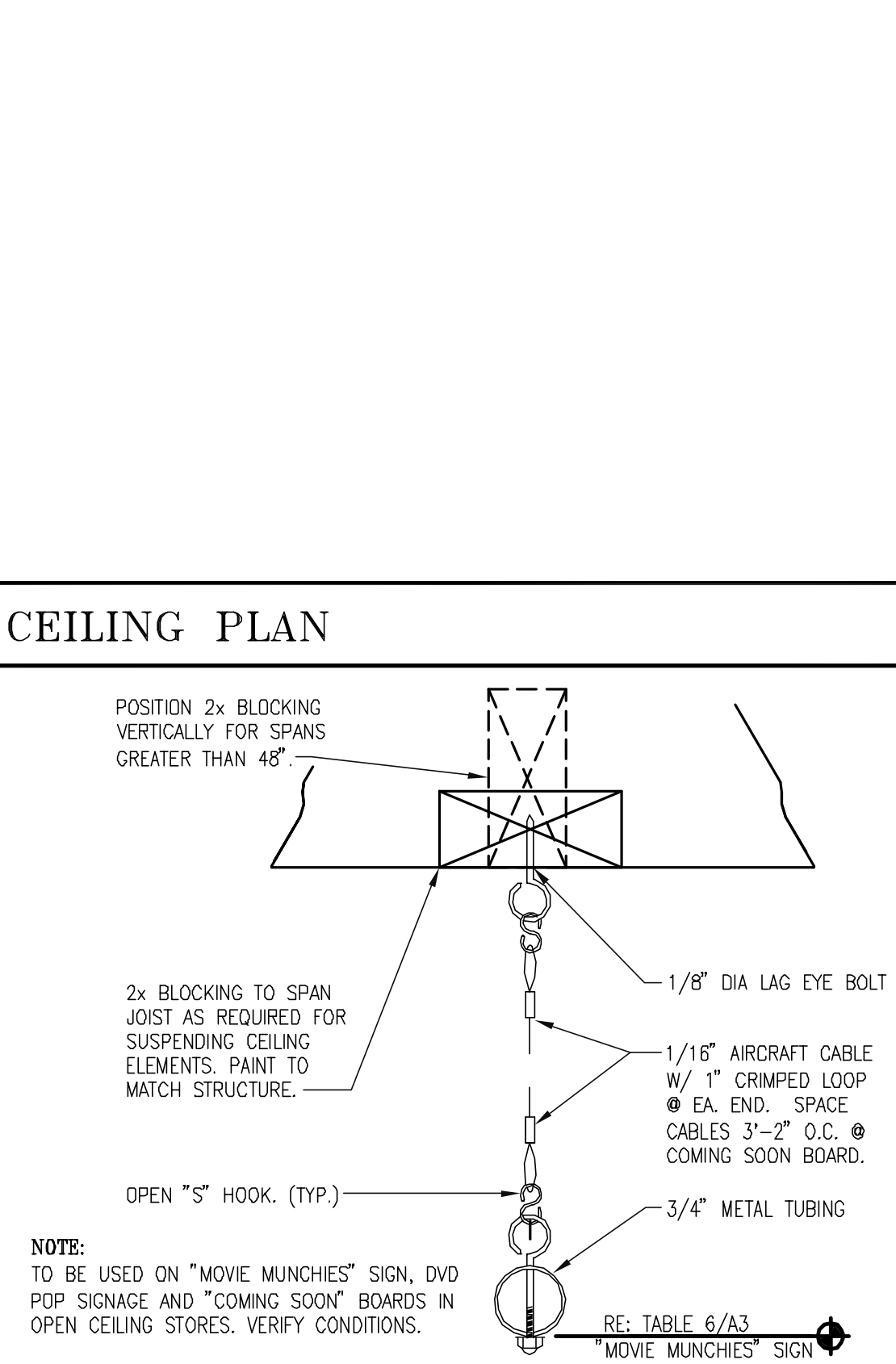
8 SIGN MOUNTING HEIGHTS



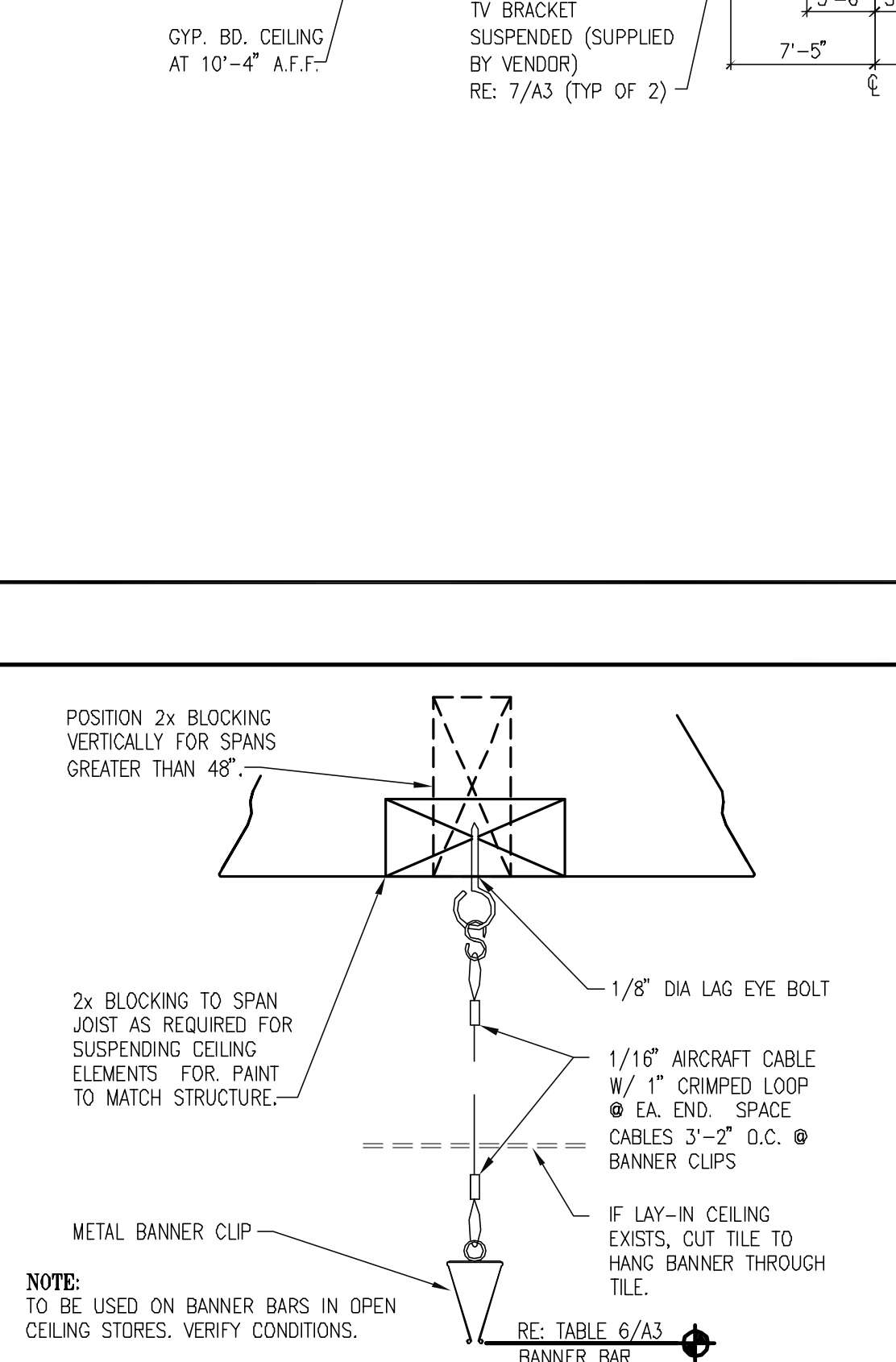
6 TYP. SUSPENSION DETAIL 3"=1'-0" 4



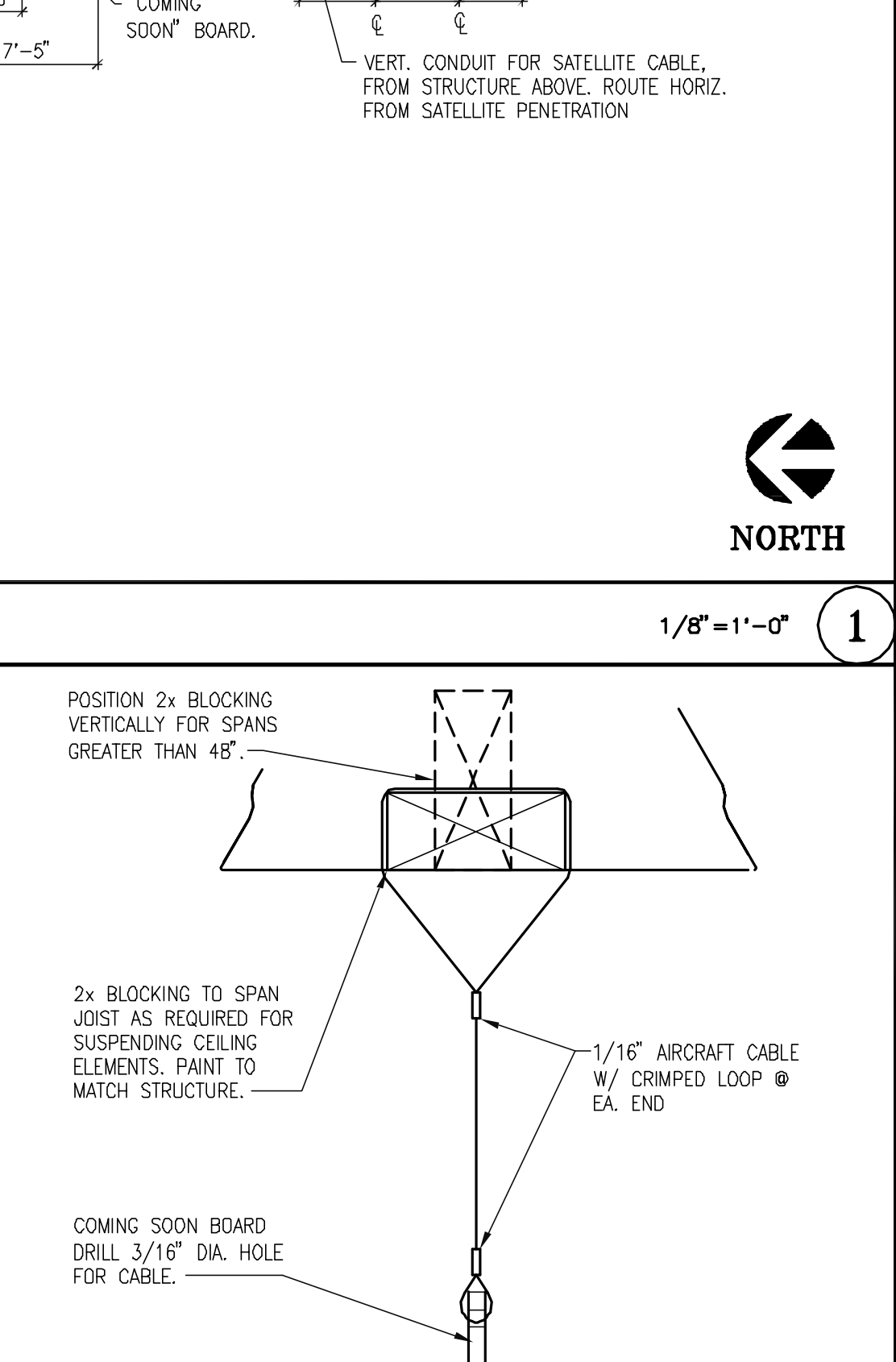
3 TYP. BANNER BAR DETAIL 3"=1'-0" 3



2 COMING SOON SUSPENSION 3"=1'-0" 2



9 NOT USED 3"=1'-0" 9



6 CEILING LEGEND 3"=1'-0" 6