

1	QUANTITY	MANUFACTURER	HARDWARE	FINISH
1	1	KSP	317-601 I.C. CORE W/ ADAMS RITE CAM & TRIM RINGS	626
2	2	LCN	CLOSER 4041	ALUM.
2	2	LCN	DROP PLATE 4040-1B	ALUM.
2	2 SETS	US ALUMINUM	OFFSET PIVOTS OP400	NA
1	1	US ALUMINUM	WEATHER-STRIPPING: STD. W/ BOT. RAIL SWEEP	NA
1	1	US ALUMINUM	STD. ALUM. THRESHOLD	MILL
2	2	US ALUMINUM	TYPE B PUSH/PULL (1\"/>	

4	QUANTITY	MANUFACTURER	HARDWARE	FINISH
3	3	HAGAR	HINGES BB1279 4-1/2\"/>	

VESTIBULE PARTITION @ GLAZING 12

RESTROOM SIGNAGE 1/2\"/>

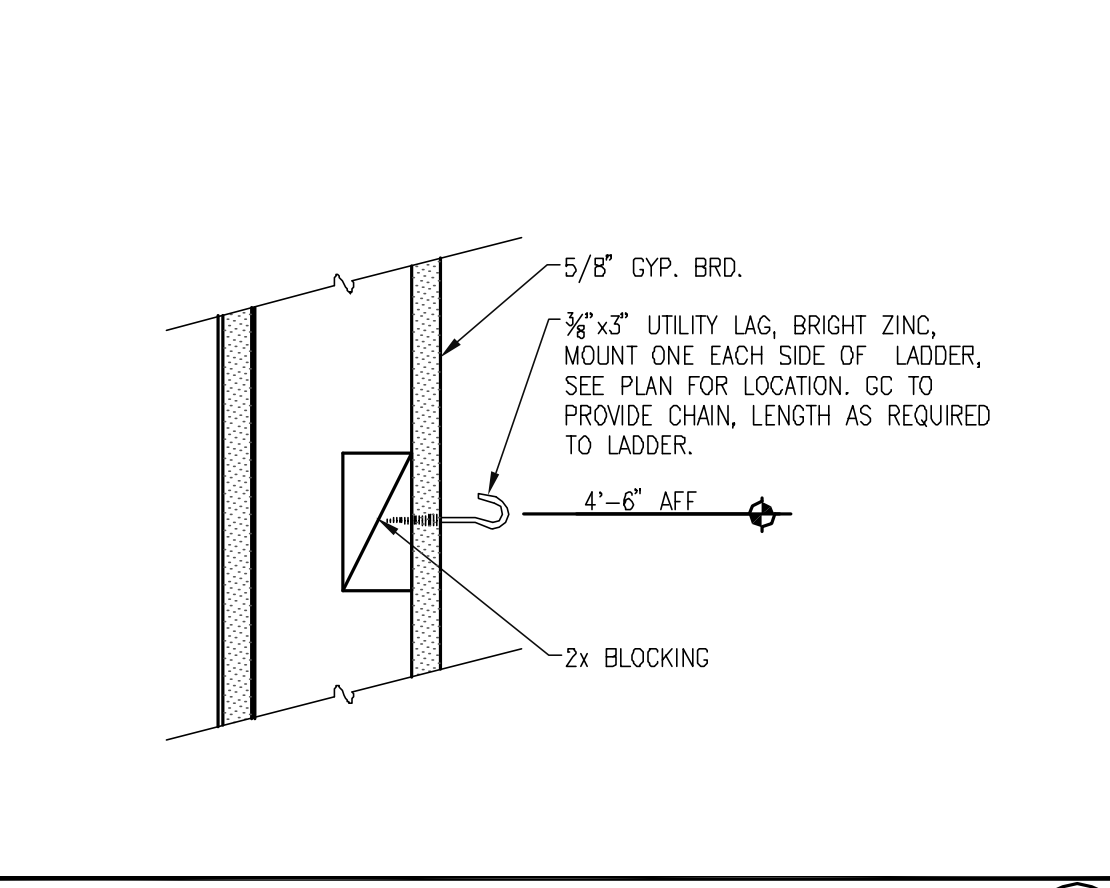
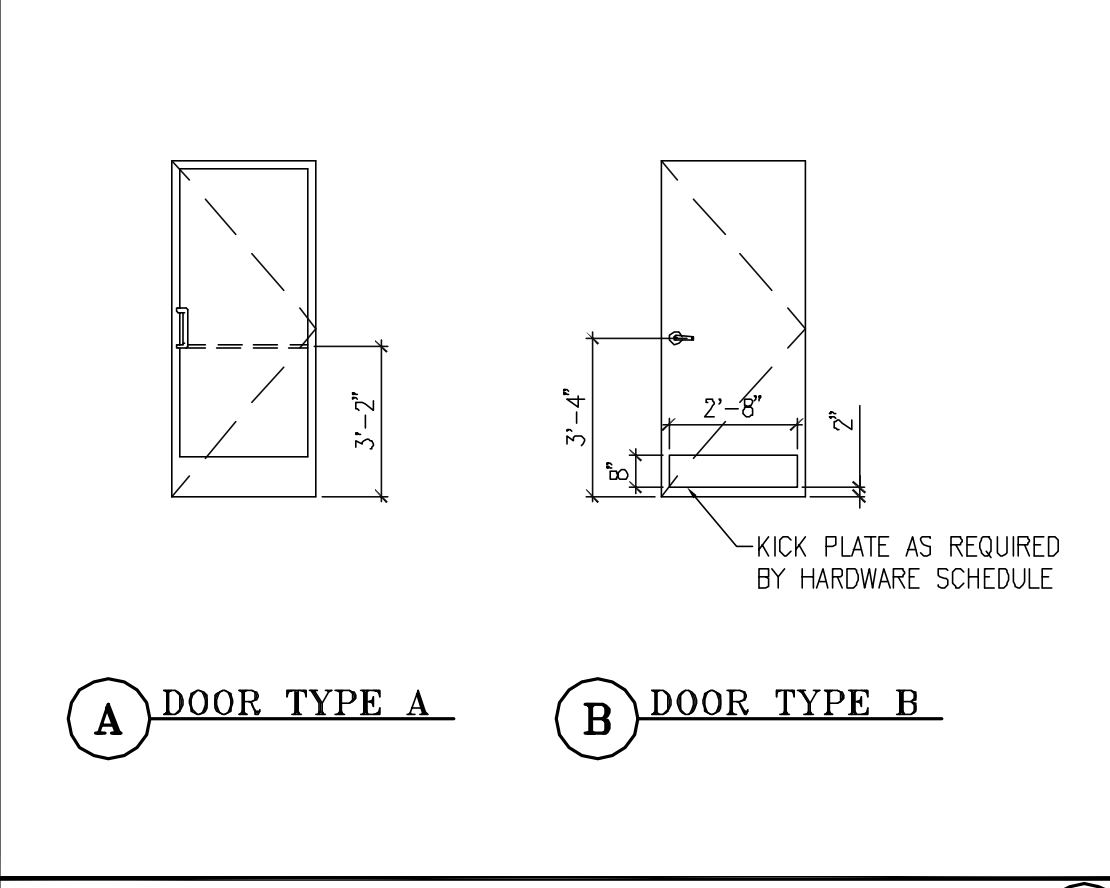
DROP SLOT DETAILS 1\"/>

NOTES :

1. ALL I.C. CORE LOCKSETS AND CYLINDERS ARE SUPPLIED WITH CONSTRUCTION CORES.
2. ALL INTERIOR DOORS WITH LOCKSETS, NOT CONTROLLED, ARE KEYPED ALIKE.
3. NO HARDWARE SUBSTITUTIONS ARE ALLOWED.
4. SIGN OVER ENTRANCE DOOR TO READ "DOORS TO REMAIN UNLOCKED DURING BUSINESS HOURS." SIGN SHALL COMPLY WITH CURRENT REQUIREMENTS, CODES, AND REGULATIONS.
5. ALL DOORS, HARDWARE, AND SIGNAGE SHALL COMPLY WITH ADA REQUIREMENTS AND LOCAL/STATE CODES.
6. RE: 7/F1 FOR FINISH LEGEND & NOTES.
7. CONSTRUCTION CORE DOOR LOCKSET HARDWARE AT ENTRY & EXIT DOORS PROVIDED BY LANDLORD. ALL OTHER HARDWARE SUPPLIED & INSTALLED BY CONTRACTOR. CONTACT LOCKNET, PHONE: (800) 887-4307.

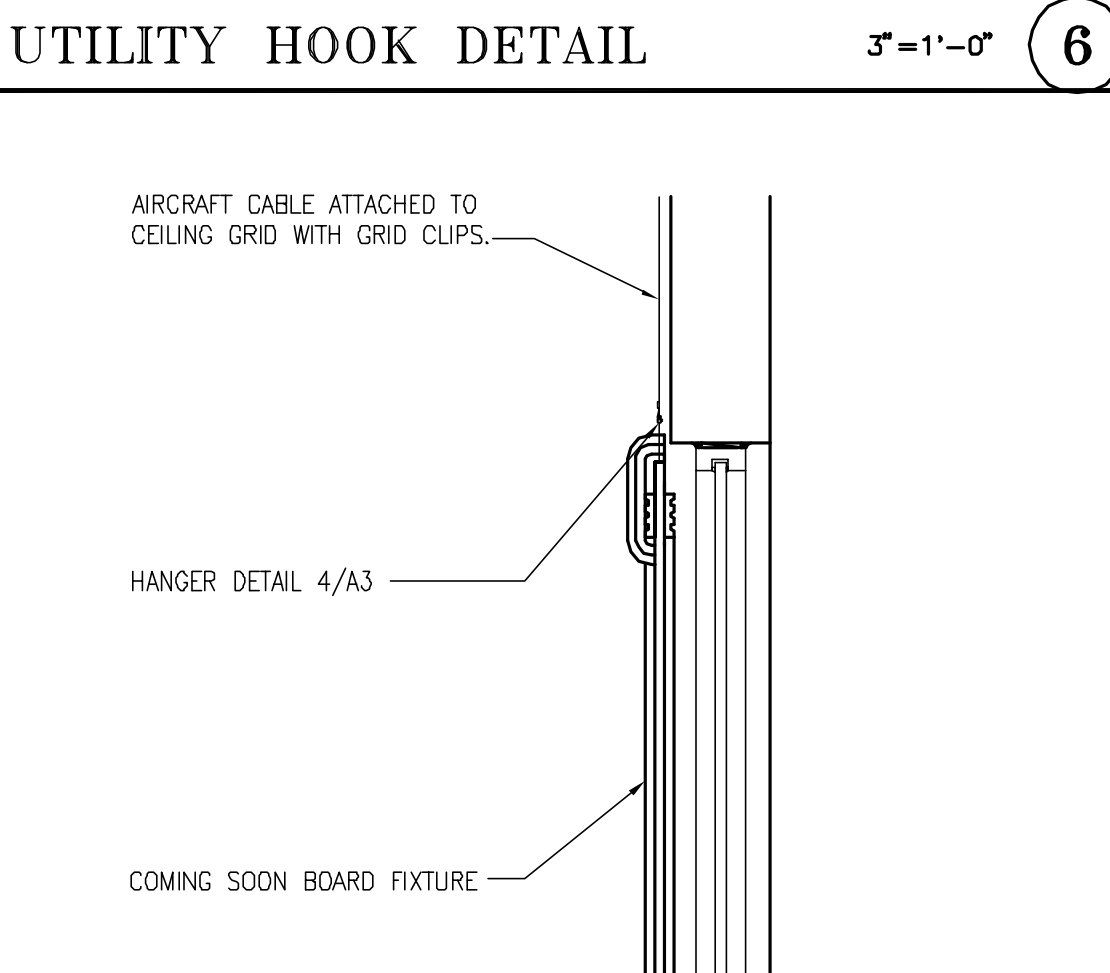
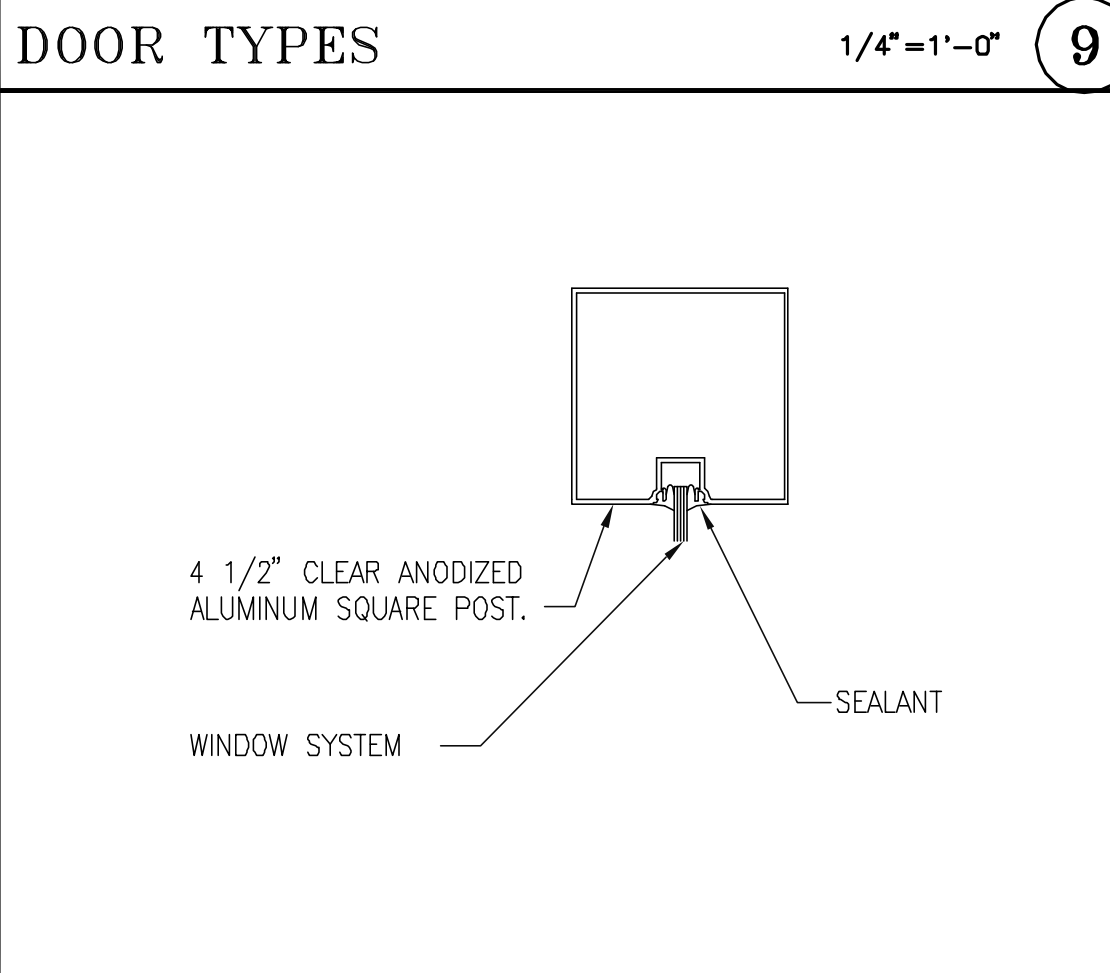
6	QUANTITY	MANUFACTURER	HARDWARE	FINISH
3	3	HAGAR	HINGES BB1279 4-1/2\"/>	

NOT USED



FINISH HARDWARE SCHEDULE 1

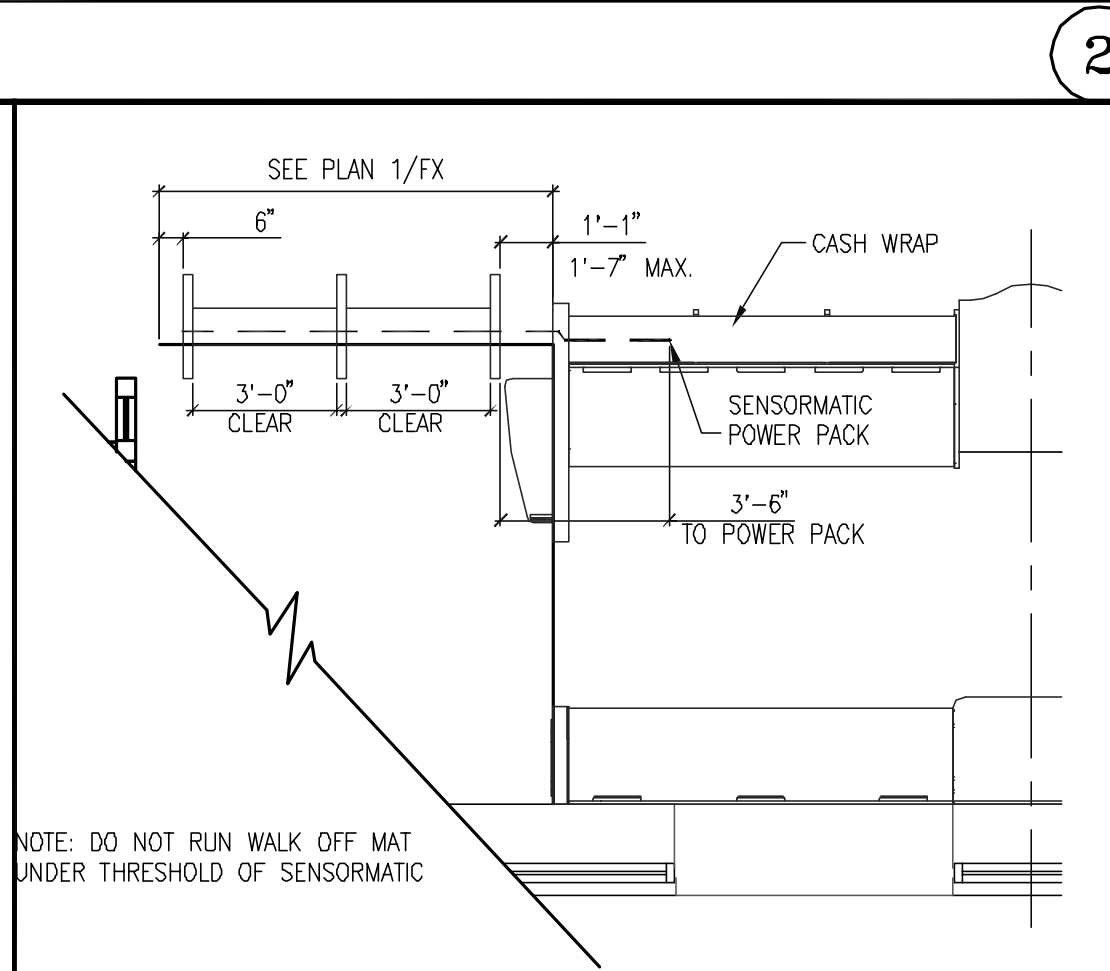
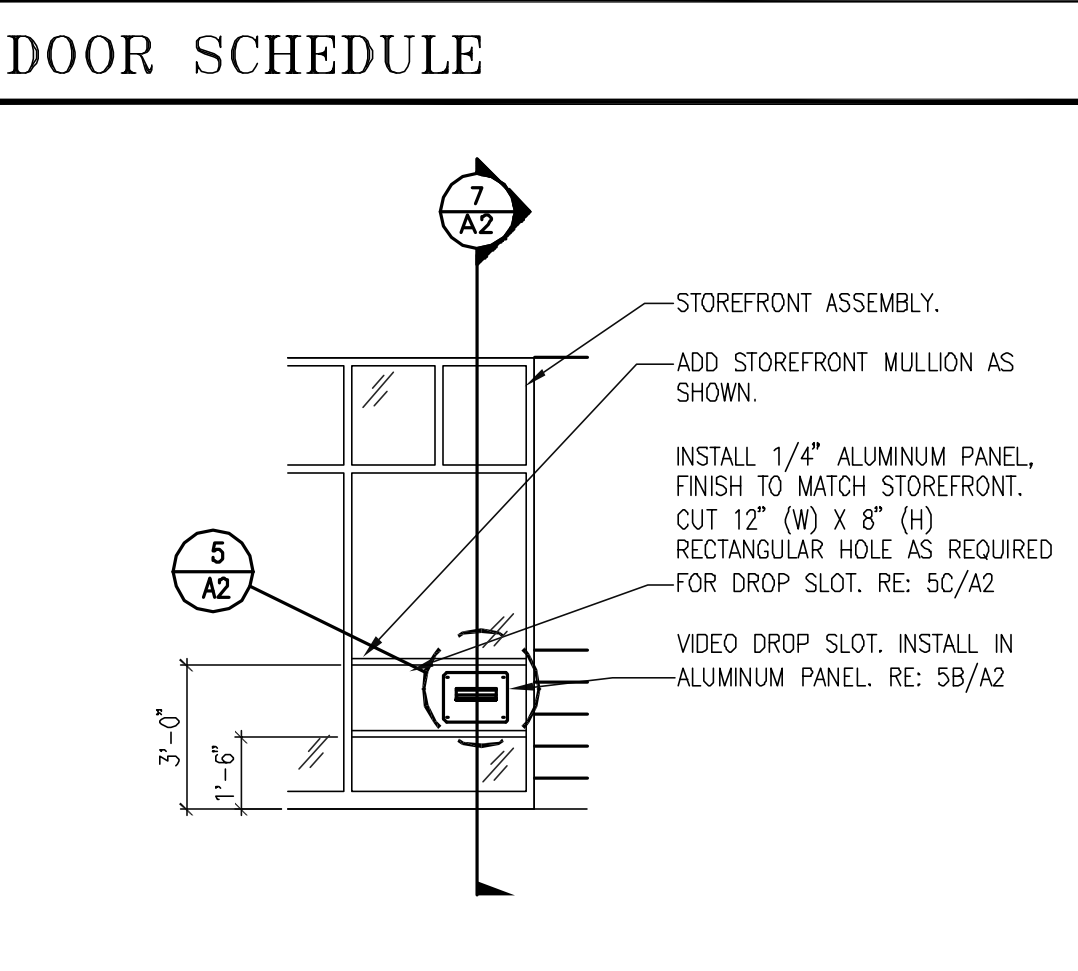
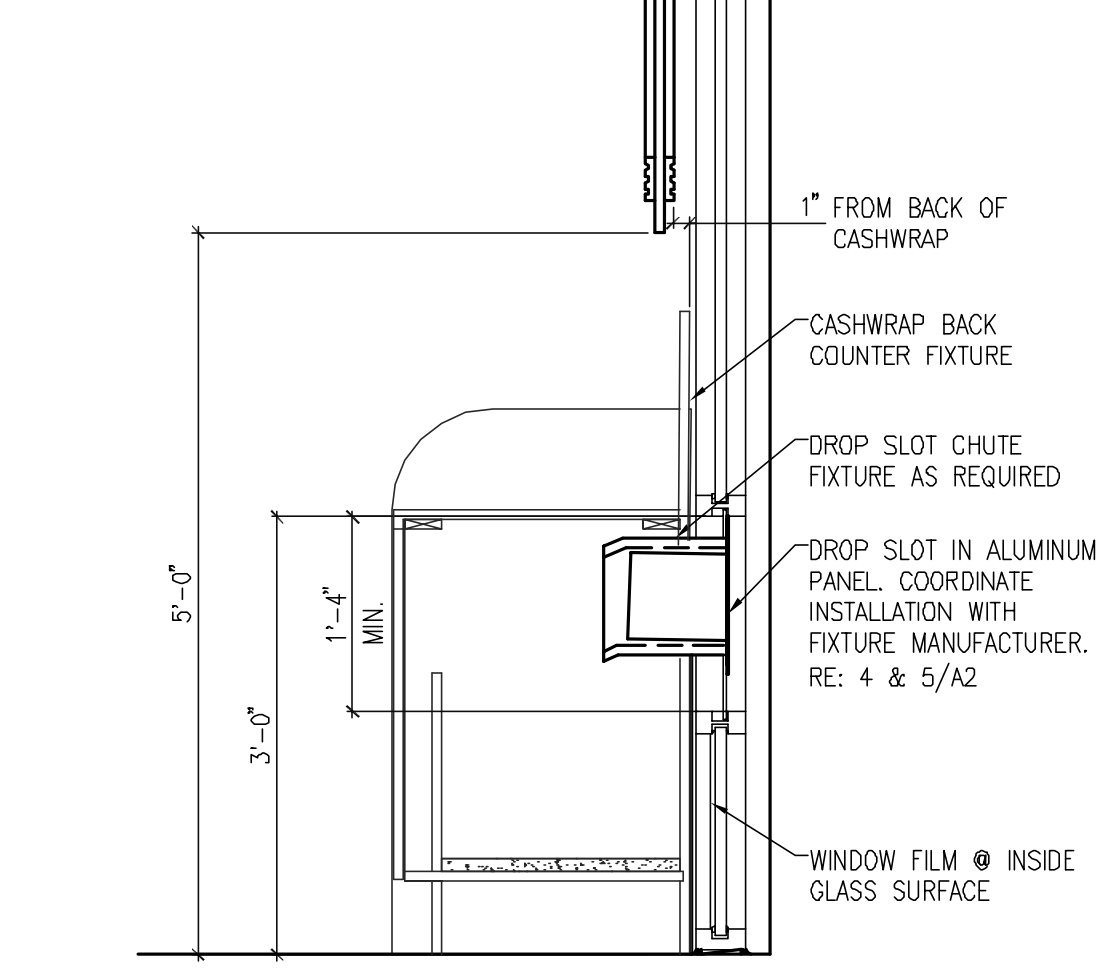
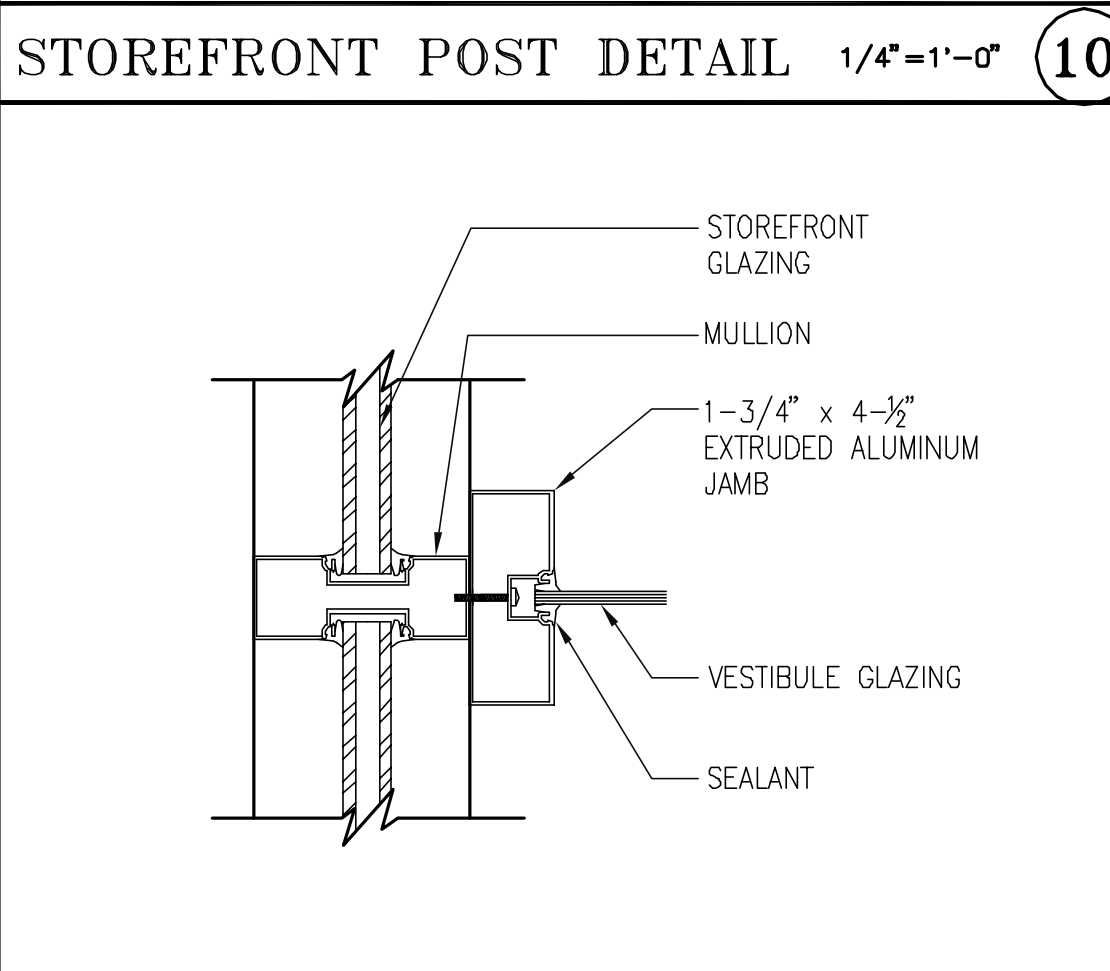
NOT USED



LOCATION	DOOR						FRAME				REMARKS
	SIZE	THICK.	TYPE	MATL.	FINISH	HDW.SET	MATL.	FINISH	HEAD	JAMB	
SALES - ENTRY	PR. 3'-0" X 7'-0"	1 3/4"	A	ALUM.	CLEAR ANOD.	1	ALUM.	CLEAR ANOD.	EXIST.	EXIST.	-
VESTIBULE - INTERIOR	PR. 3'-0" X 7'-0"	1 3/4"	A	ALUM.	CLEAR ANOD.	2	ALUM.	CLEAR ANOD.	8/A7	8/A7	-
NOT USED											
SALES - EXIT	3'-0" X 7'-0"	1 3/4"	B	H.M.	P29	4	H.M.	BLK	EXIST.	EXIST.	-
OFFICE / BREAKROOM	3'-0" X 7'-0"	1 3/4"	B	S.C. WD.	P29	5	H.M.KD	BLK	-	12/A7	TIMELY FRAME OR EQUAL
TOILET ROOM	3'-0" X 7'-0"	1 3/4"	B	S.C. WD.	P29	6	H.M.KD	BLK	-	12/A7	UNDERCUT 3/8" ABOVE FLOOR FINISH TIMELY FRAME OR EQUAL
UTILITY CLOSET	3'-0" X 7'-0"	1 3/4"	B	S.C. WD.	P1	7	H.M.KD	BLK	-	12/A7	WALL STOP TIMELY FRAME OR EQUAL

NOTE: AT DOOR TYPES D5, D6 & D7, CONTRACTOR MAY SUBSTITUTE HOLLOW METAL FOR S.C. WOOD.

NOT USED



VESTIBULE PARTITION @ MULLION 15

SECTION AT DROP SLOT 11

DROP SLOT 3/4\"/>

DROP SLOT 1/4\"/>

SENSORMATIC LOCATION 1/4\"/>

HOLLYWOOD VIDEO

9275 S.W. PEYTON LANE
WILSONVILLE, OREGON 97070
PHONE (503) 570-1600

CASCO
10877 WATSON ROAD
ST. LOUIS, MO 63127
PROJECT MANAGERS

The professional of record is practicing as an individual.

RALPH R. SHAW
PROFESSIONAL OF RECORD
PHONE: 314-821-1100
LICENSE NO. 10001787

REVISIONS:

PROJECT: 304121

PORTLAND/MARGINAL WAY
160 PREBLE STREET
PORTLAND, ME 04104
STORE #019101

SHEET TITLE
DETAILS & SCHEDULES

TEMPLATE: 2003.2
DESIGN CONSTRUCTION BULLETIN

DRAWN BY: RBM
CHECKED BY: RJB
SCALE: AS NOTED
DATE: 03-12-04

SHEET NO. **A2**