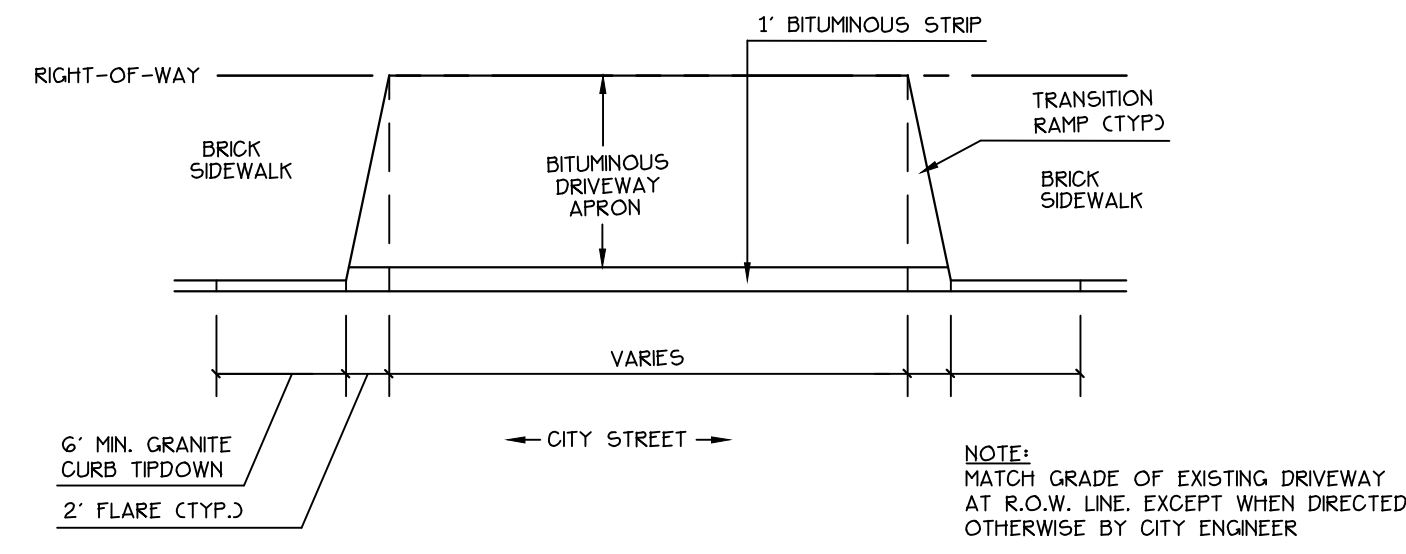
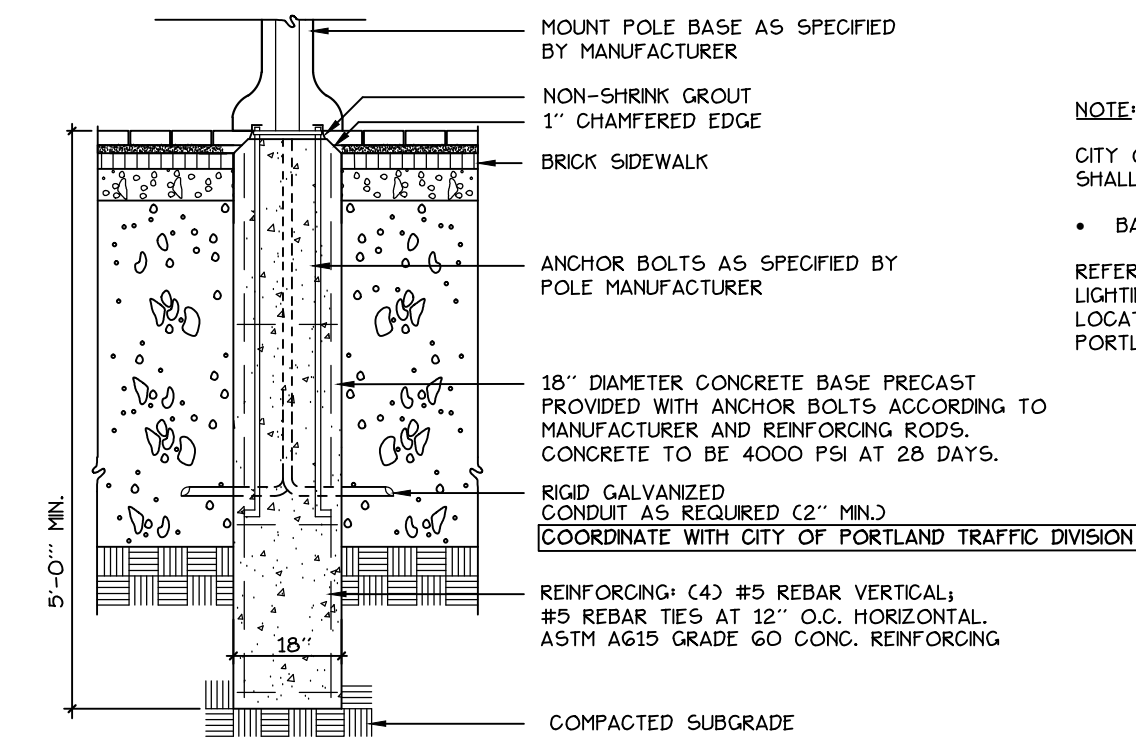


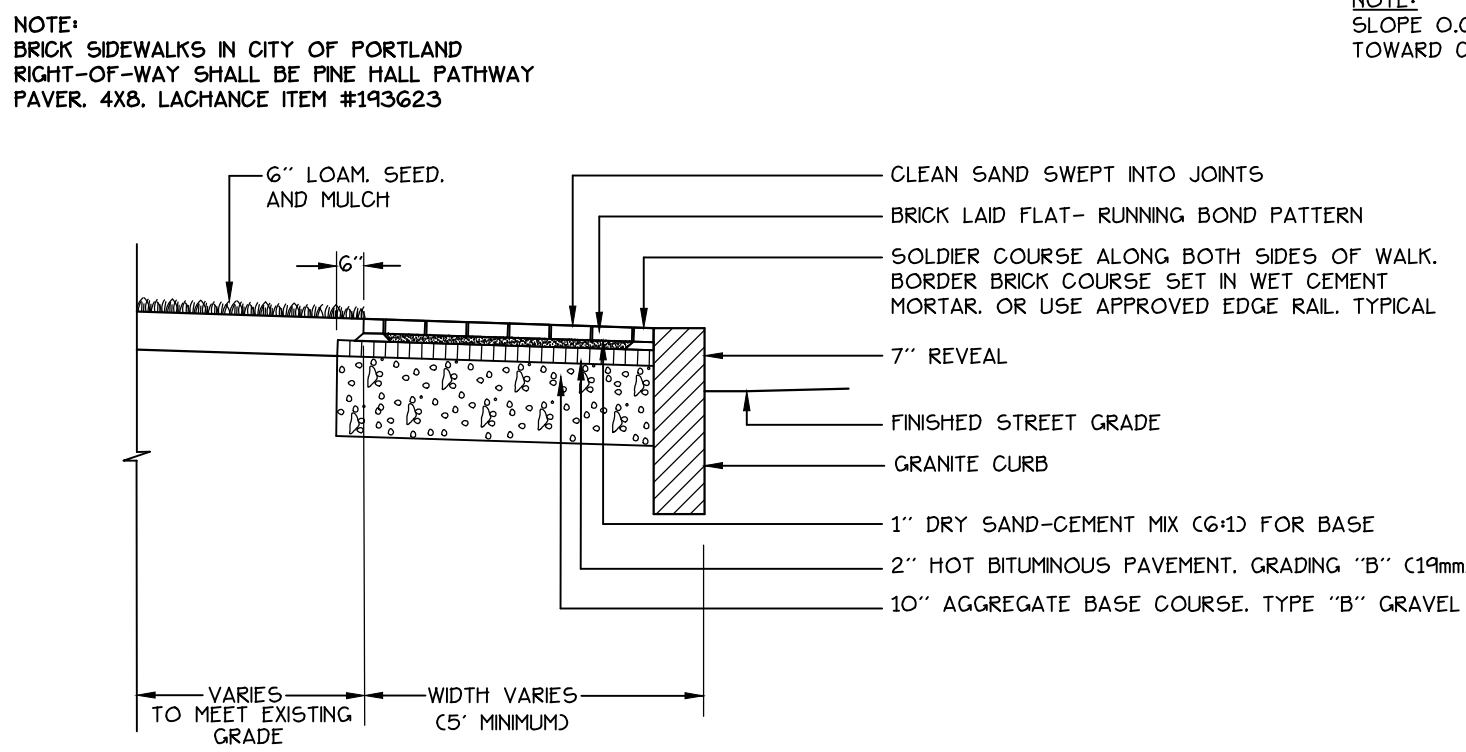
1 BITUMINOUS PAVEMENT- PARKING LOT
5 NOT TO SCALE



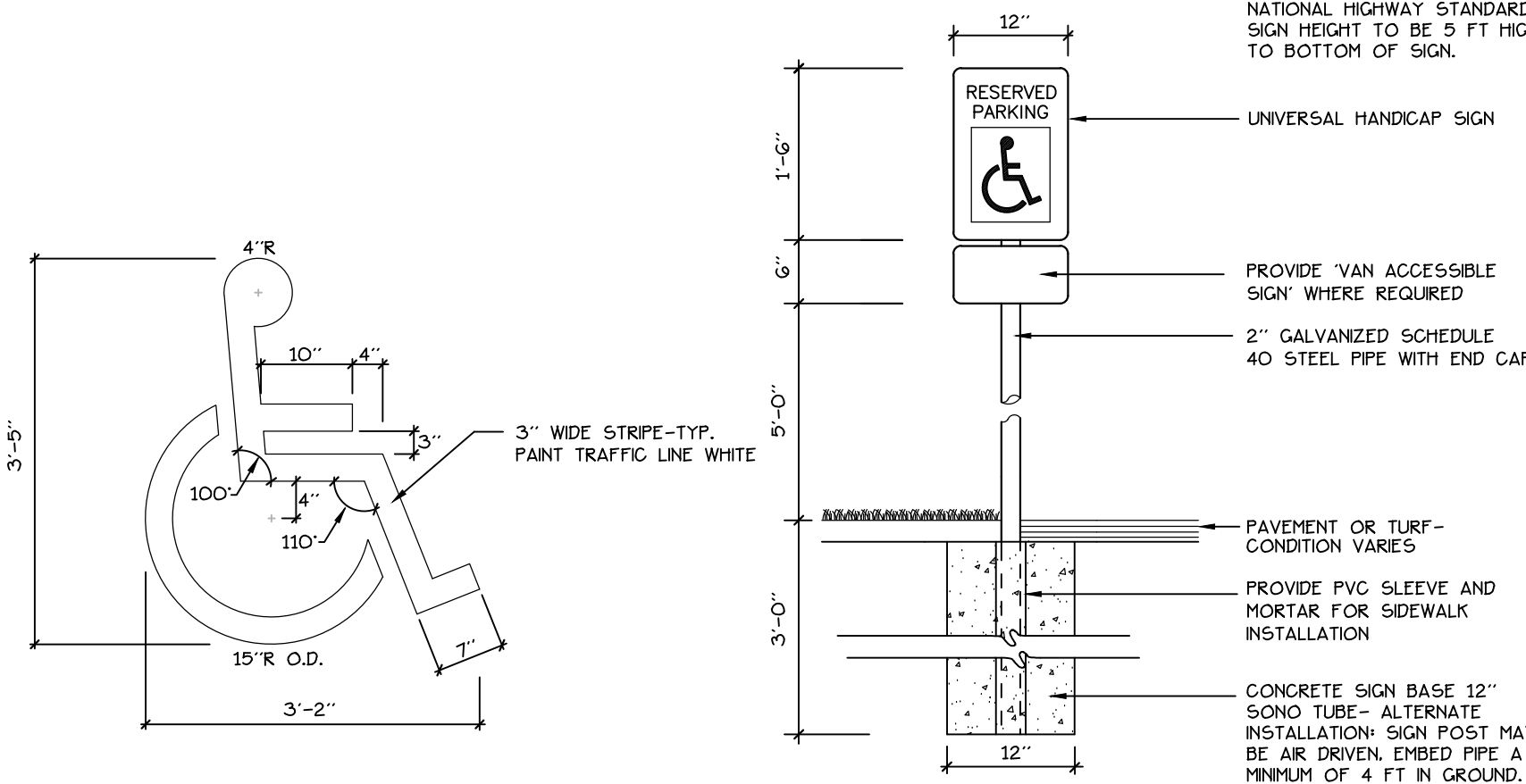
10 DRIVEWAY APRON LAYOUT
5 NOT TO SCALE



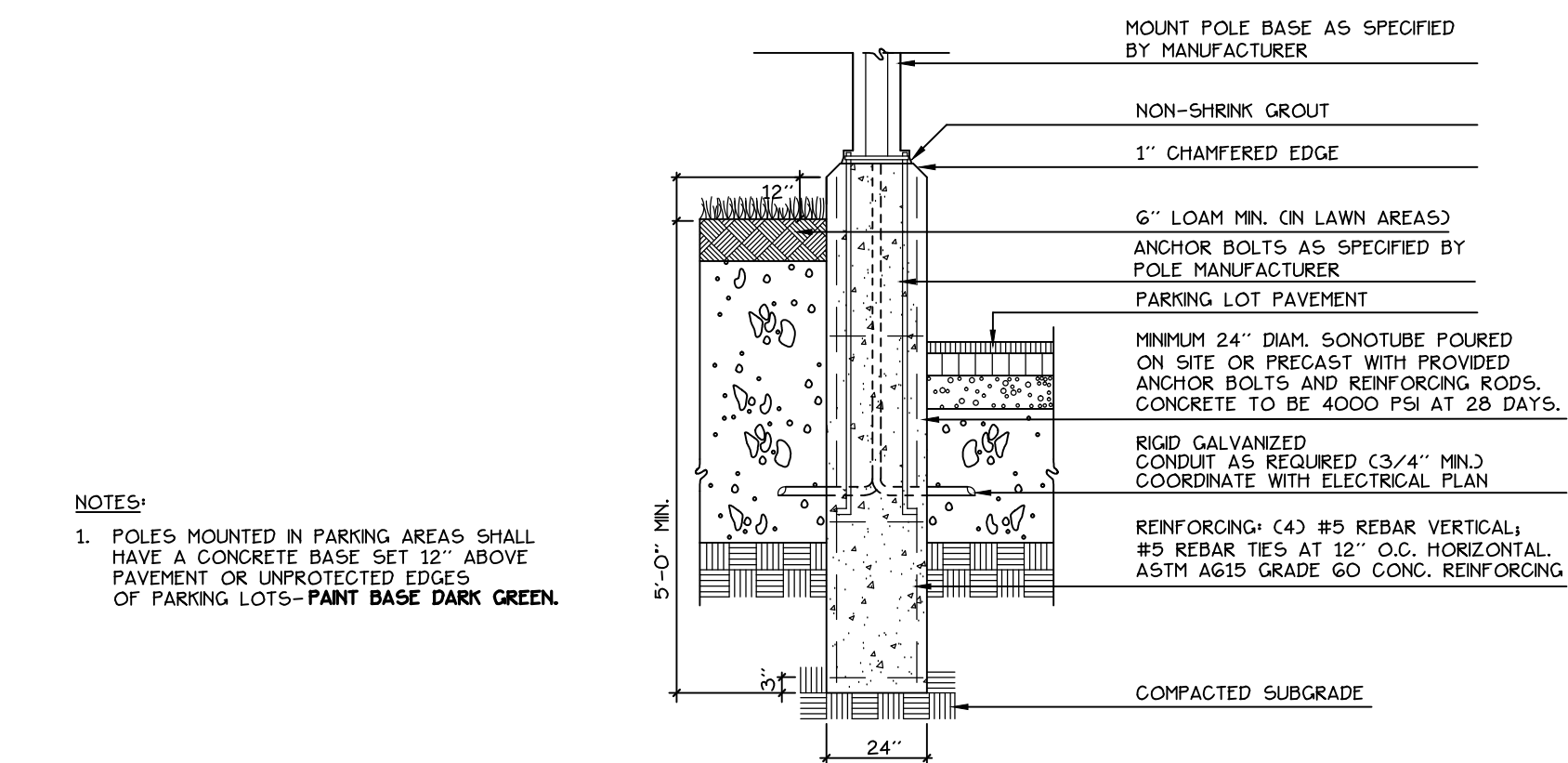
11 BAYSIDE FIXTURE LIGHT POLE BASE
5 NOT TO SCALE



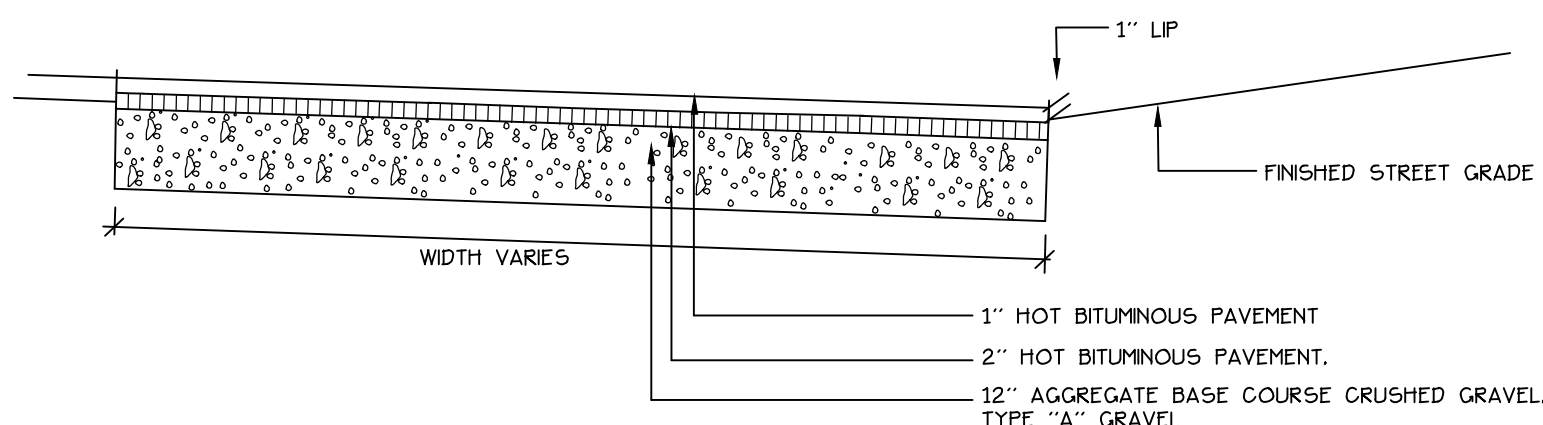
2 BRICK SIDEWALK WITH BITUMINOUS BASE AND GRANITE CURB
5 NOT TO SCALE



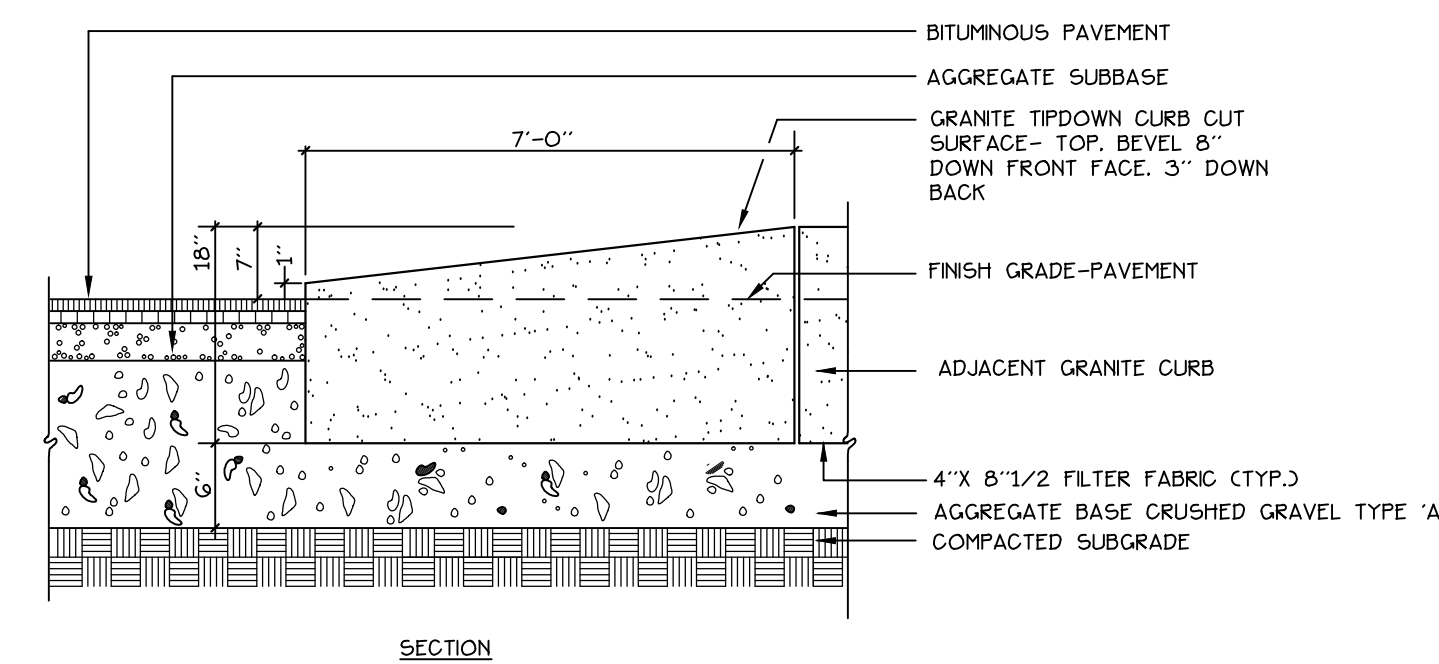
7 ACCESSIBLE SPACE MARKINGS + SIGNAGE
5 NOT TO SCALE



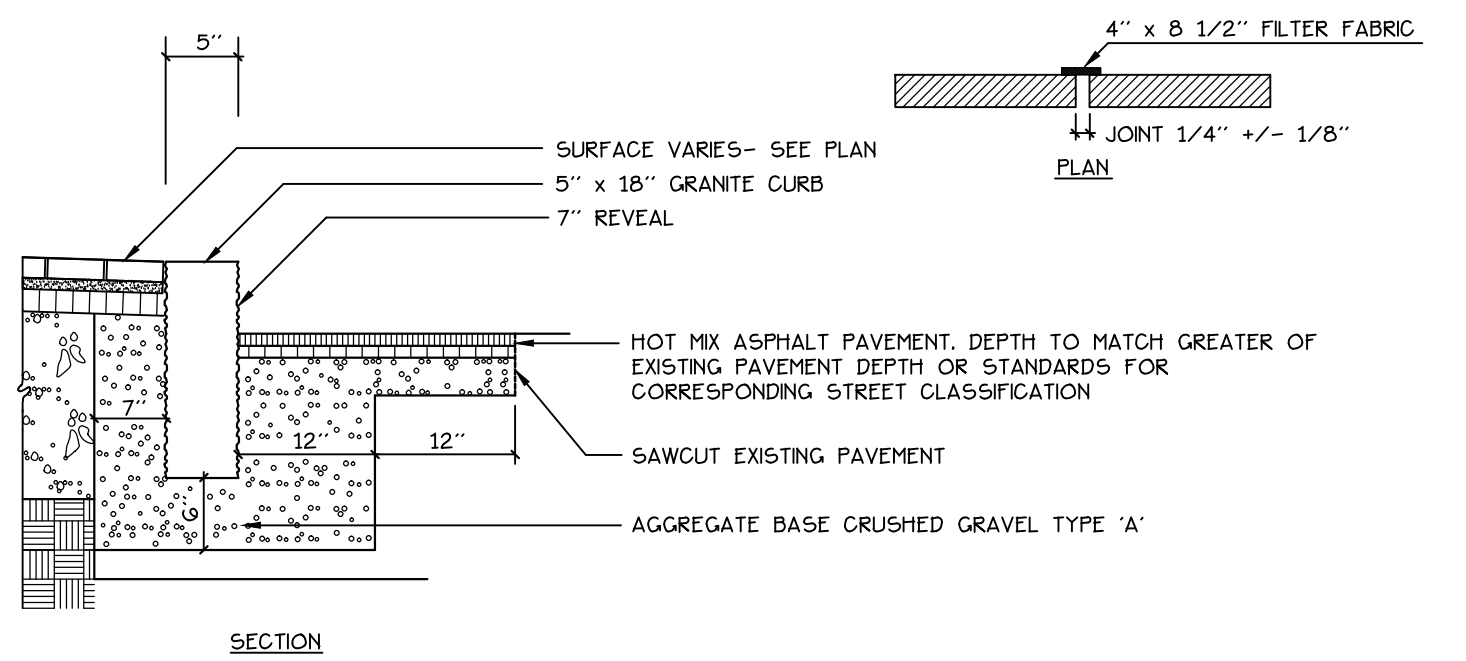
12 LIGHT POLE BASE
5 NOT TO SCALE



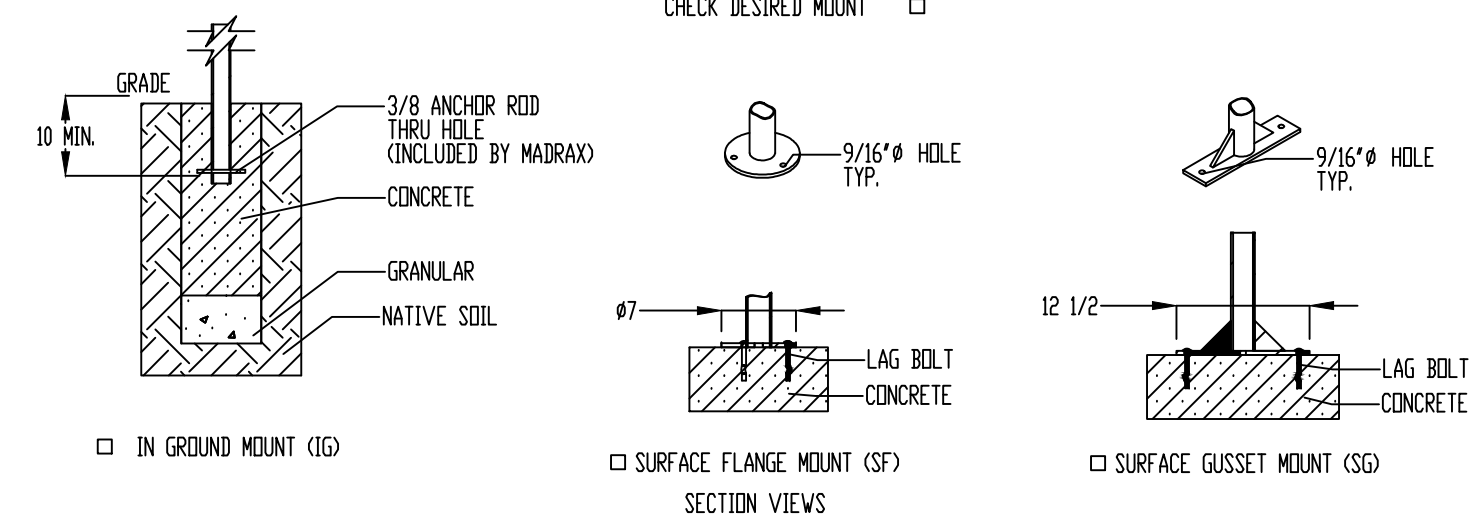
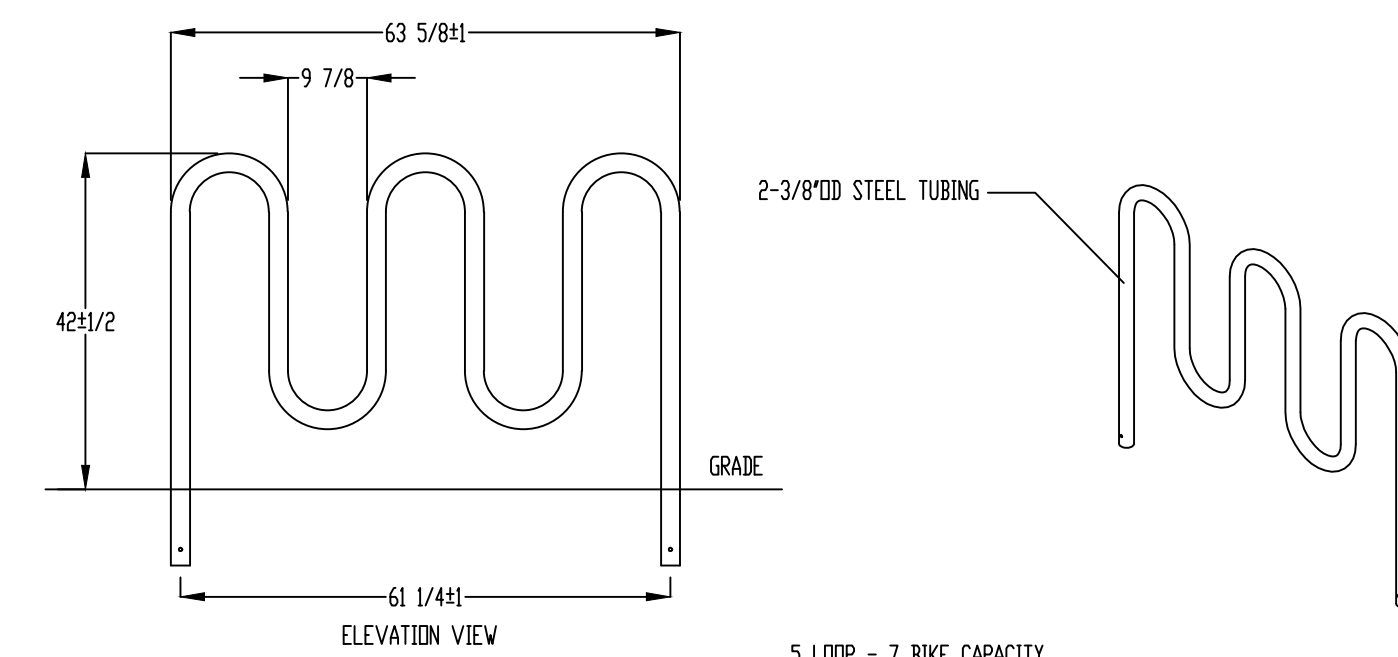
3 BITUMINOUS DRIVEWAY APRON
5 NOT TO SCALE



8 GRANITE TIP-DOWN CURB
5 NOT TO SCALE



4 VERTICAL GRANITE CURB
5 NOT TO SCALE



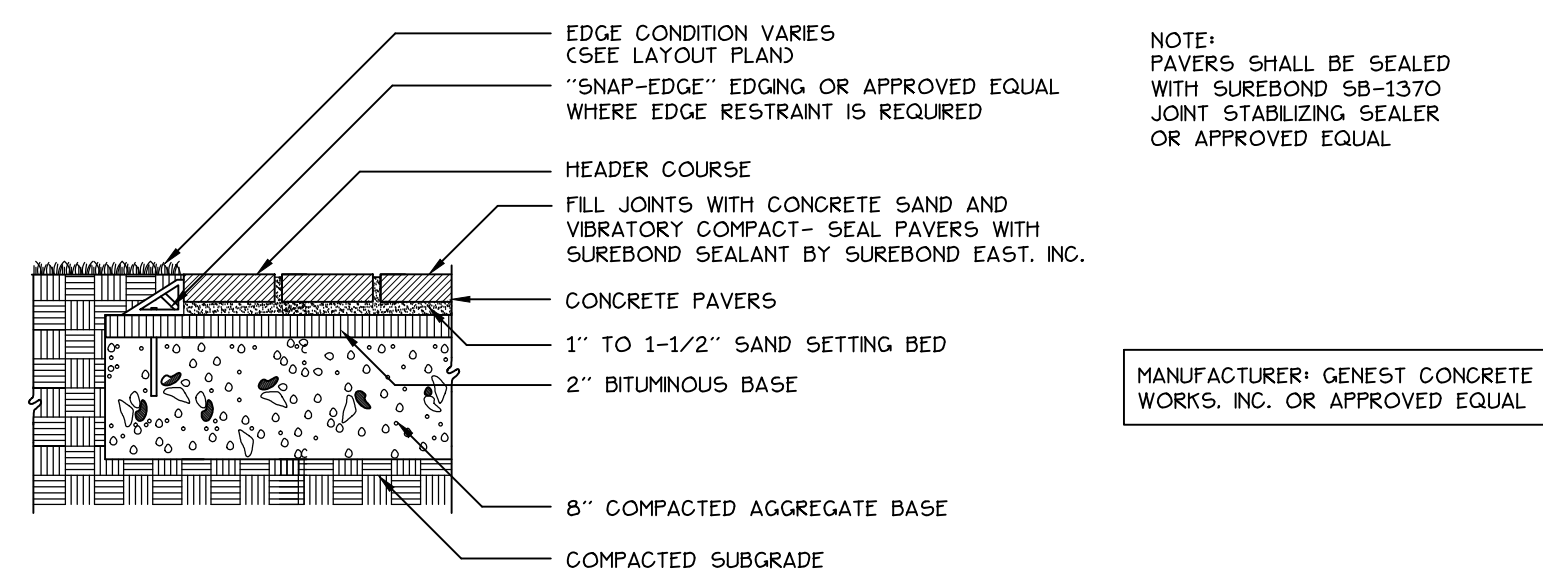
PRODUCT: HW238-7-1G(SF) SG
DESCRIPTION: HEAVY DUTY WINDER BIKE RACK
DATE: 8-21-12
ENG: SMC

MURAX DIVISION
GRABER MANUFACTURING, INC.
100 WEAVER DRIVE
WALWAUKEE, WI 53297
PHONE: 414-793-7000 FAX: 414-793-7001
WWW.MURAX.COM, E-MAIL: SALES@MURAX.COM

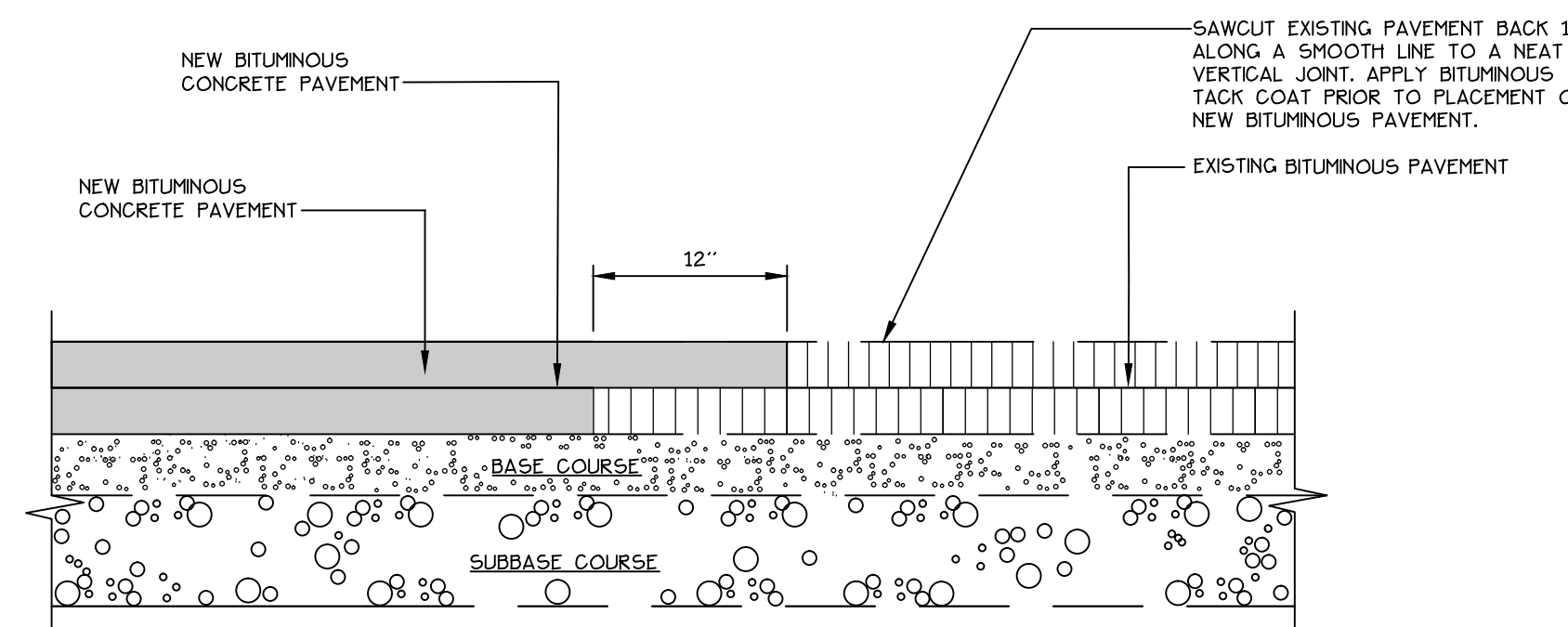
NOTES:
1. INSTALL BIKE RACKS ACCORDING TO MANUFACTURER'S SPECIFICATIONS.
2. CONSULTANT TO SELECT COLOR AND FINISH. SEE MANUFACTURER'S SPECIFICATIONS.
3. SEE SITE PLAN FOR LOCATION OR CONSULT OWNER.

©2012 GRABER MANUFACTURING, INC. ALL PROPRIETARY RIGHTS RESERVED.

13 BIKE RACK
5 NOT TO SCALE



5 CONCRETE PAVERS
5 NOT TO SCALE



9 PAVEMENT SAWCUT DETAIL
5 NOT TO SCALE

Prepared For:
Applicant:
BoPo.L.L.C.
58 Alder Street
Portland, Maine
Justin Alford, Manager

Prepared By:
MITCHELL & ASSOCIATES
Landscape Architects
The Staples School
70 Center Street
Portland, Maine 04101
Tel: (207) 774-4427

BAYSIDE BOWL

Portland, Maine

58 Alder Street

Date:
MARCH 23, 2015

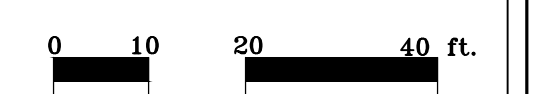
Issued For:
SITE PLAN SUBMISSION

Revisions:

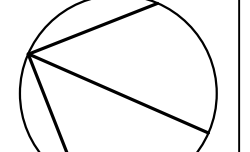
Reproduction or reuse of
this document without the
expressed written consent of
Mitchell & Associates is prohibited.

Title:
SITE DETAILS

Scale: 1"=20'



North:



Sheet No.:

5

