

© 2016 RYAN SENATORE ARCHITECTURE

ADDITION TO BAYSIDE BOWL
ALDER STREET
PORTLAND, MAINE



RYAN SENATORE ARCHITECTURE
565 CONGRESS STREET
PORTLAND, MAINE 04101
207-656-6414
senatorearchitecture.com

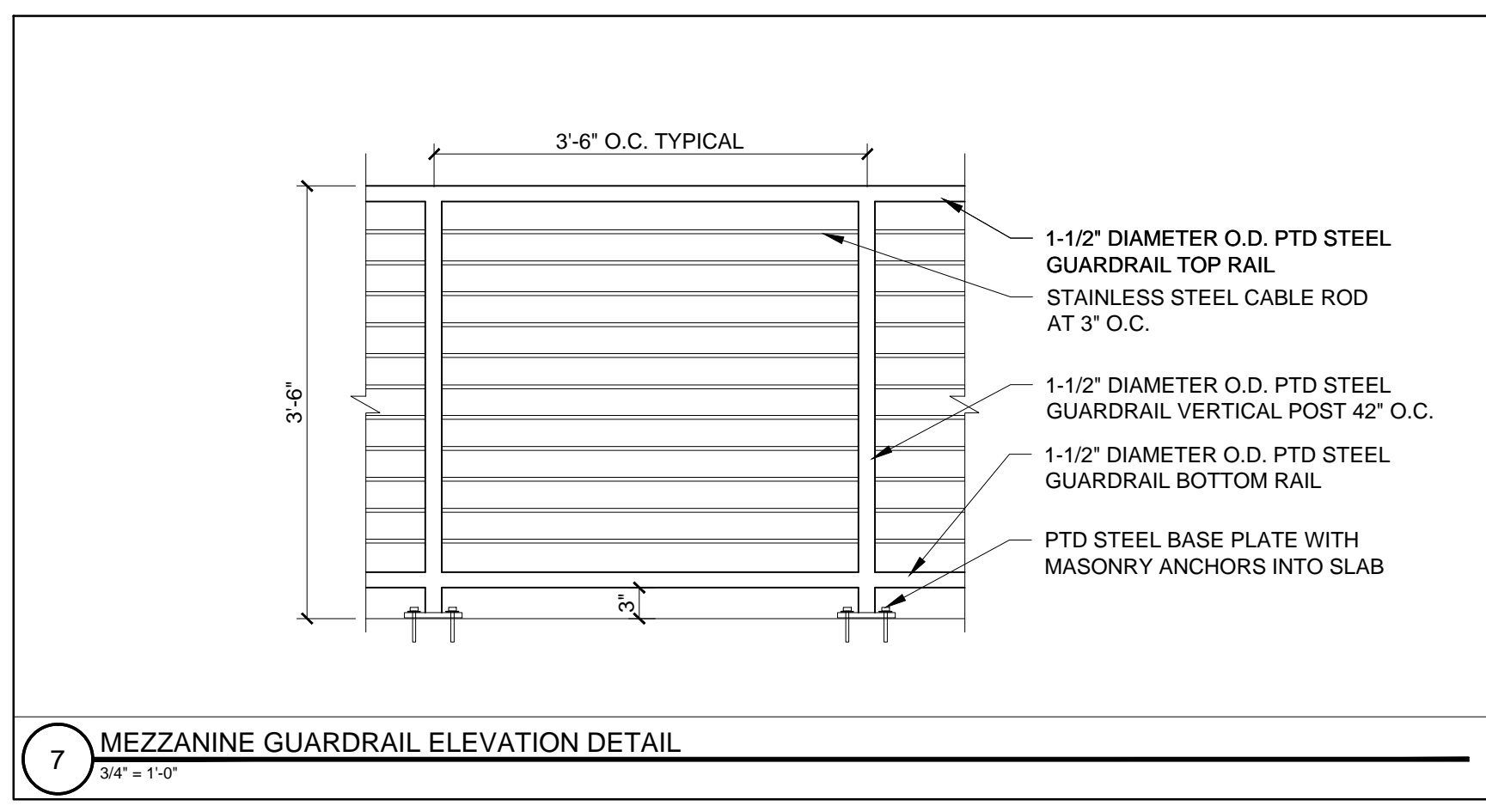
CONSULTANTS:
STRUCTURAL: Structural Integrity
77 Oak Street
Portland, ME 04101
207-774-4814

REVISIONS:
REVISION #1 06/03/16

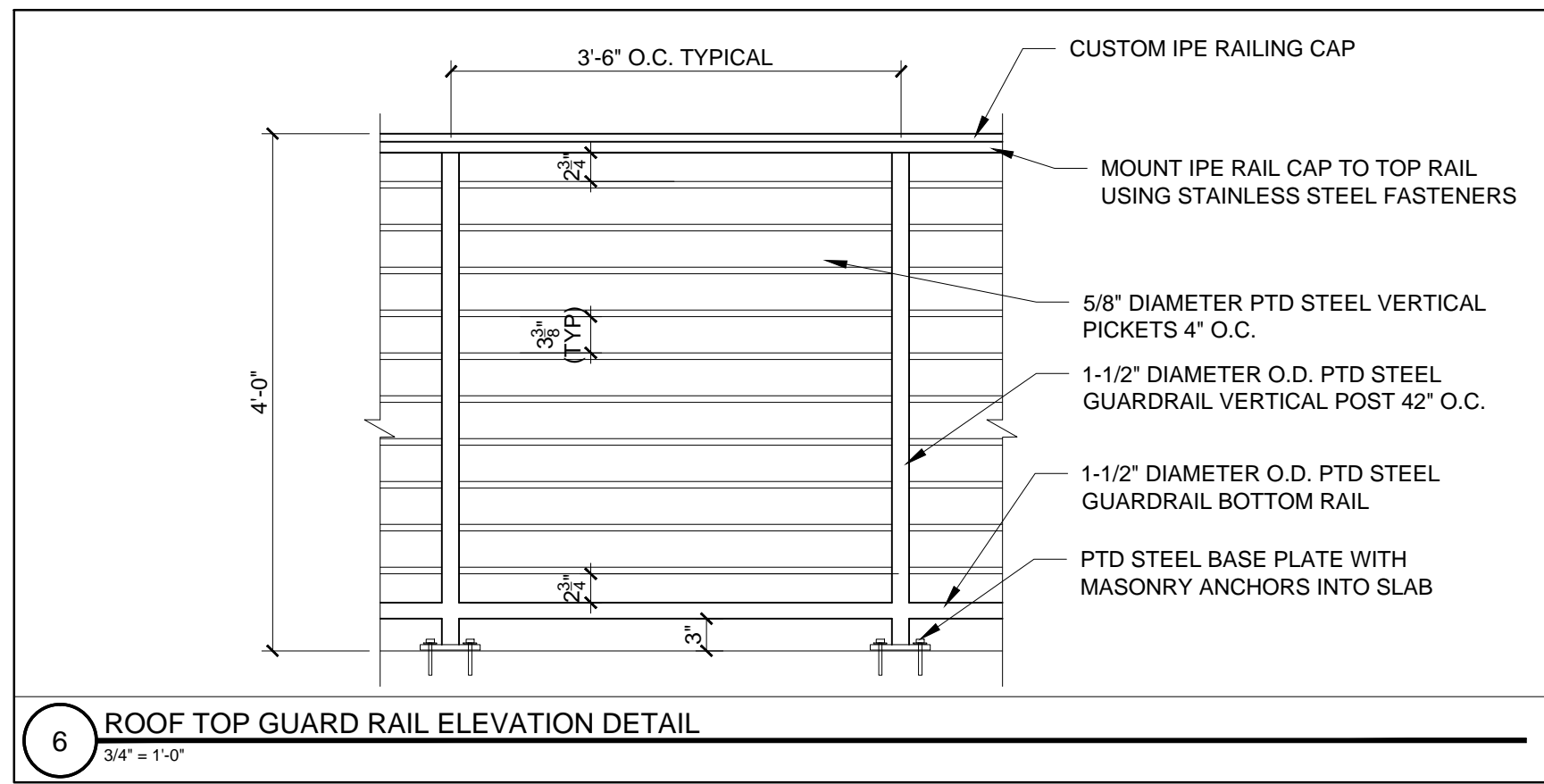
DATE: MAY 4, 2016
PROJECT No. 1452
DRAWN BY: JPF / RRT / RJS
CHECKED BY: RJS
SCALE: AS NOTED

SHEET TITLE:
DETAILS

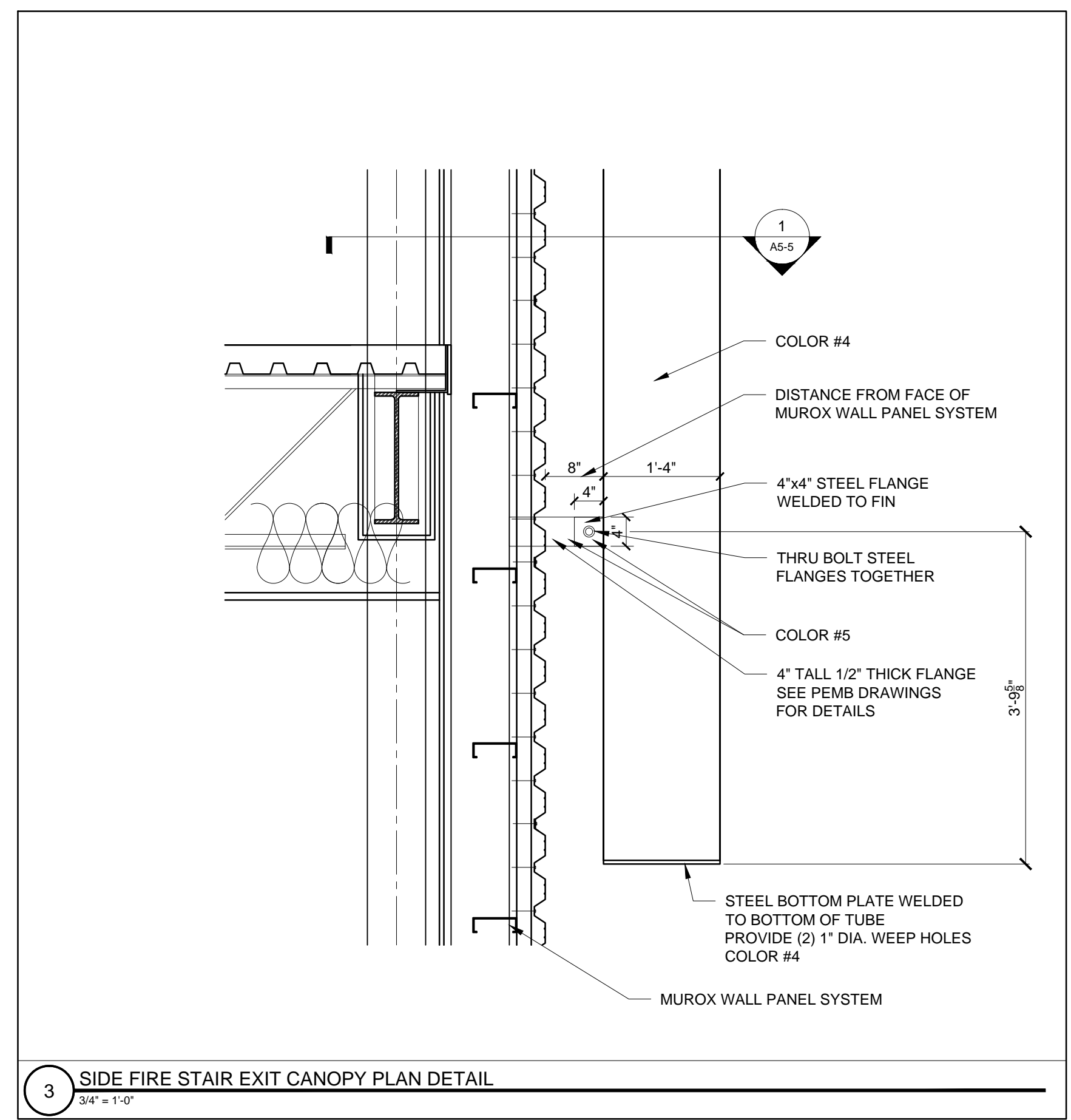
A5-4



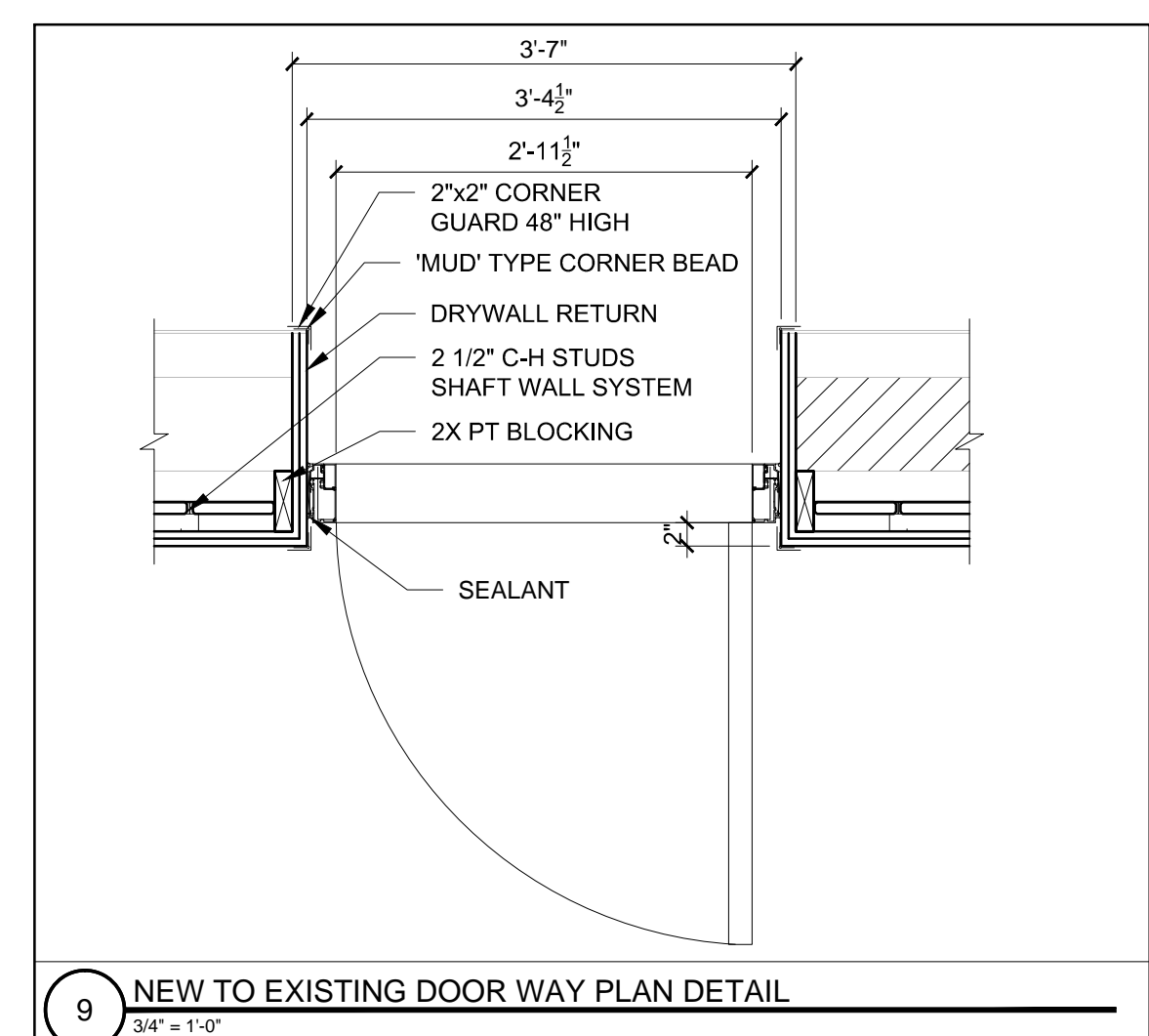
7 MEZZANINE GUARDRAIL ELEVATION DETAIL
3/4" = 1'-0"



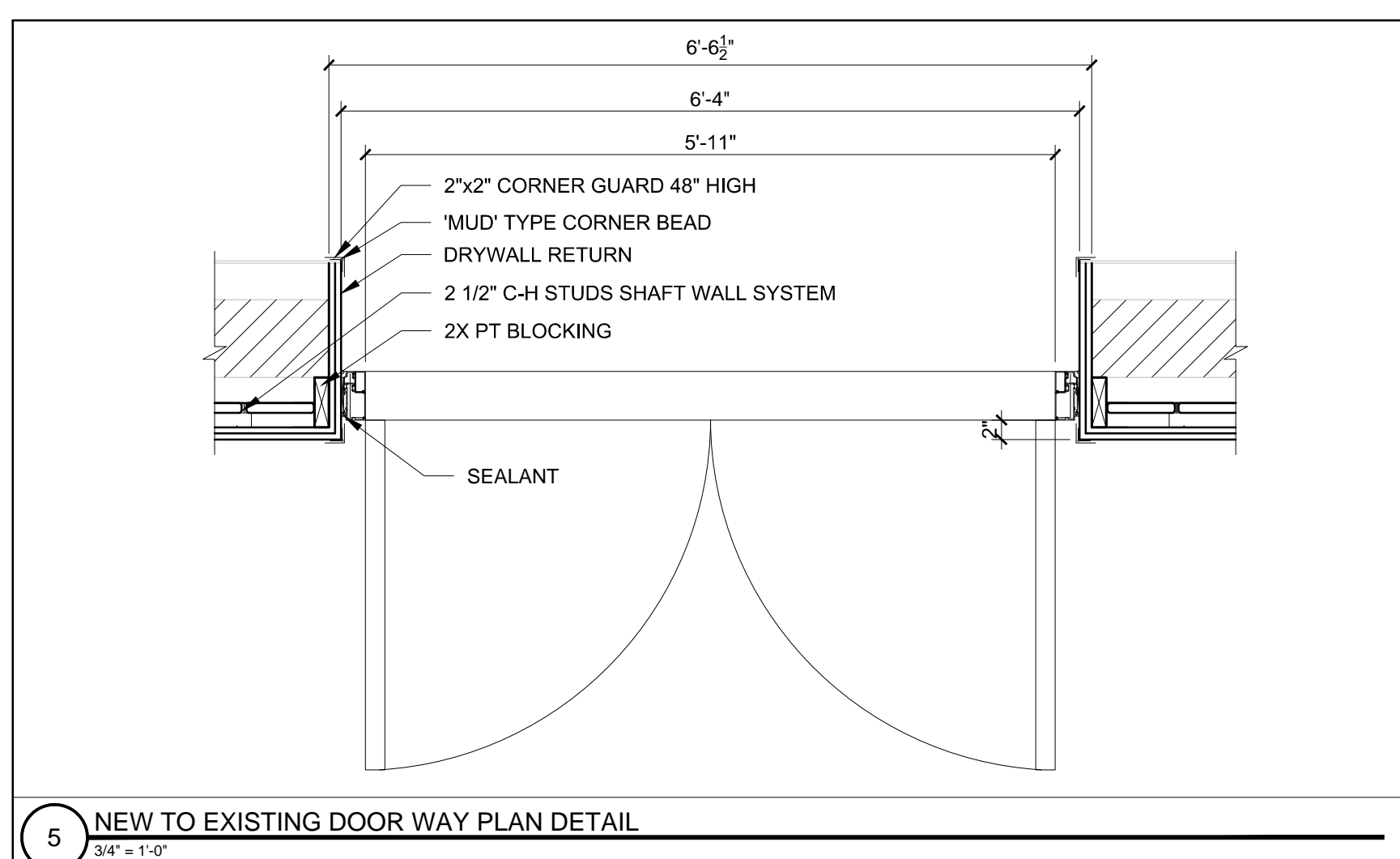
6 ROOF TOP GUARD RAIL ELEVATION DETAIL
3/4" = 1'-0"



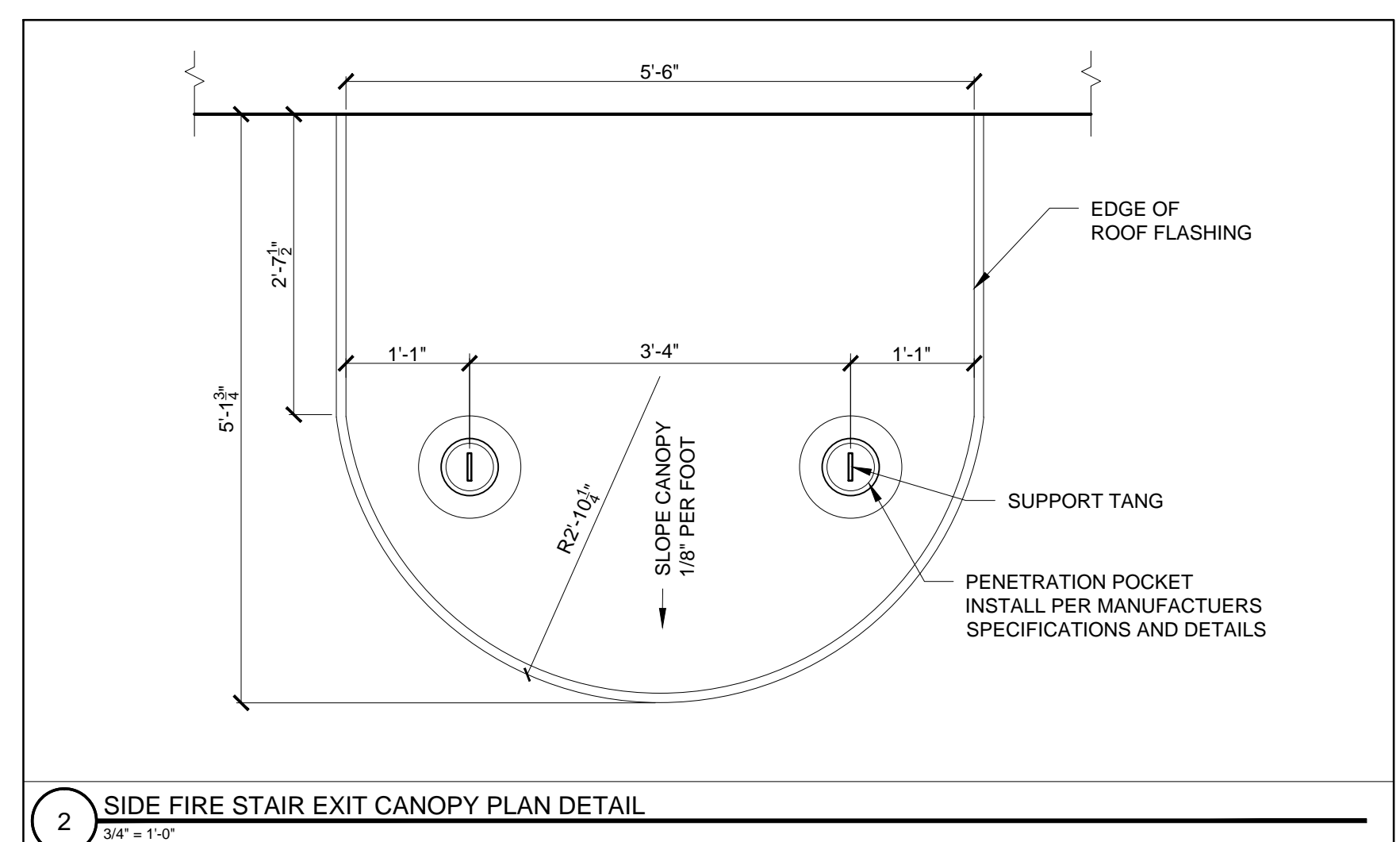
3 SIDE FIRE STAIR EXIT CANOPY PLAN DETAIL
3/4" = 1'-0"



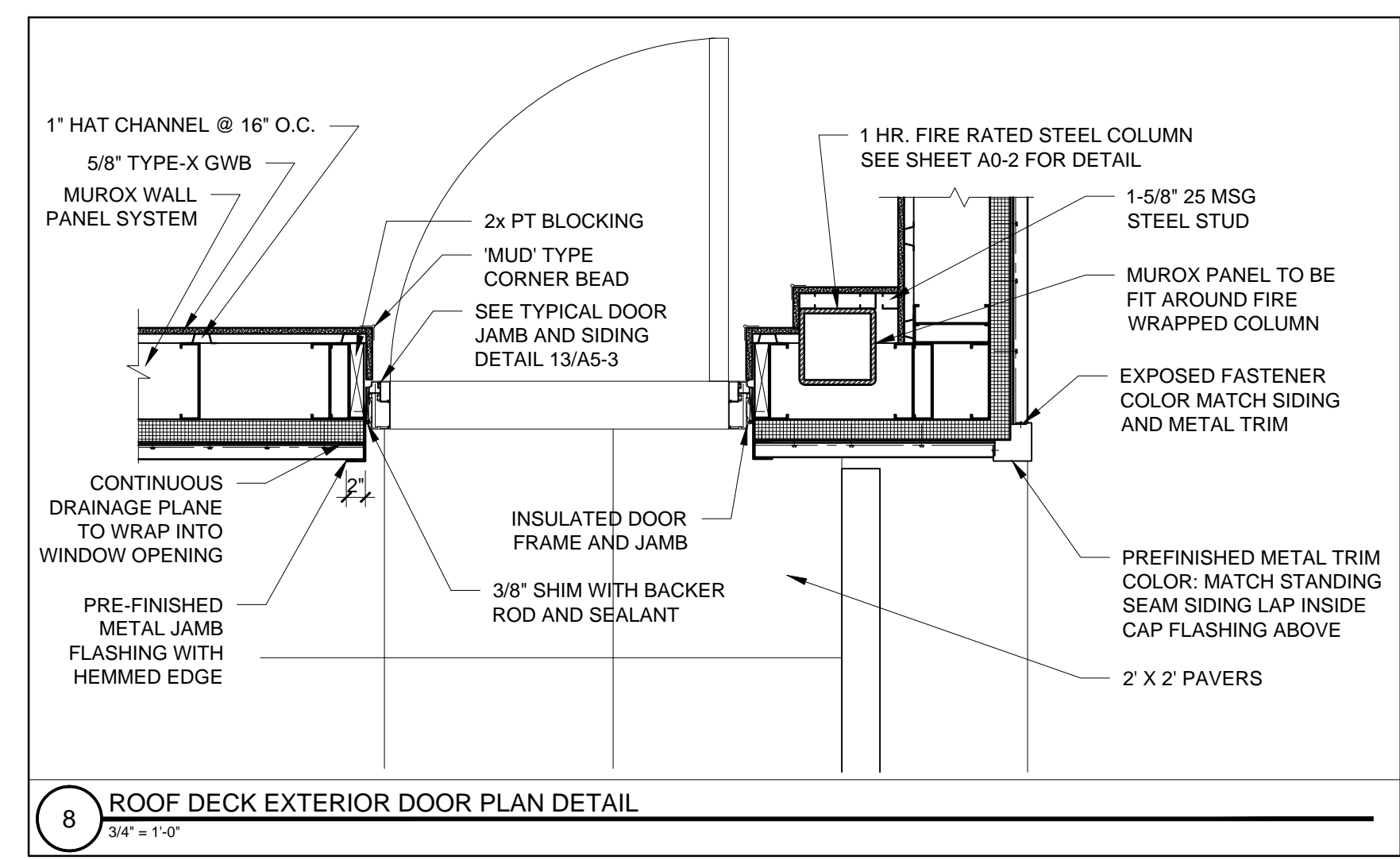
9 NEW TO EXISTING DOOR WAY PLAN DETAIL
3/4" = 1'-0"



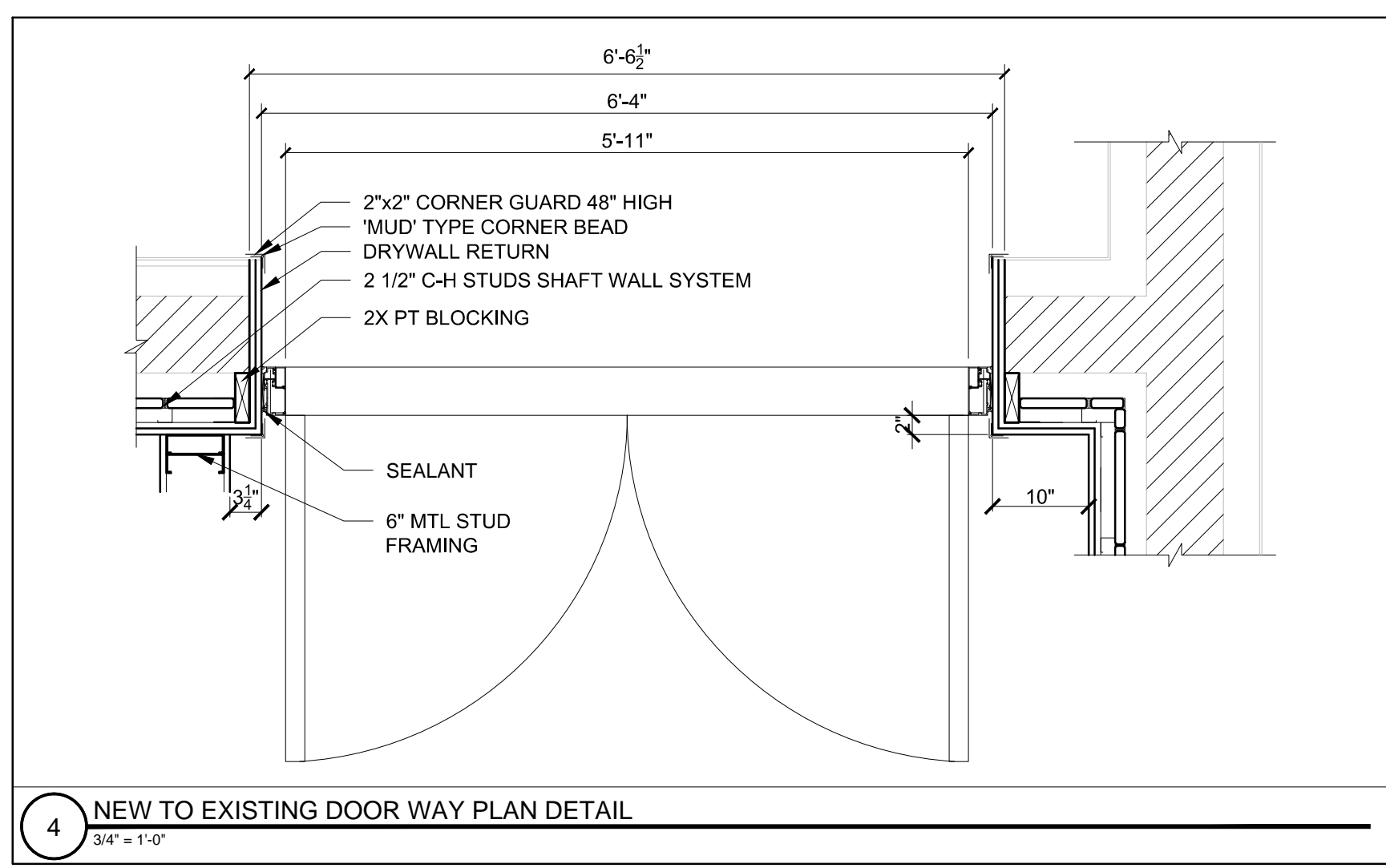
5 NEW TO EXISTING DOOR WAY PLAN DETAIL
3/4" = 1'-0"



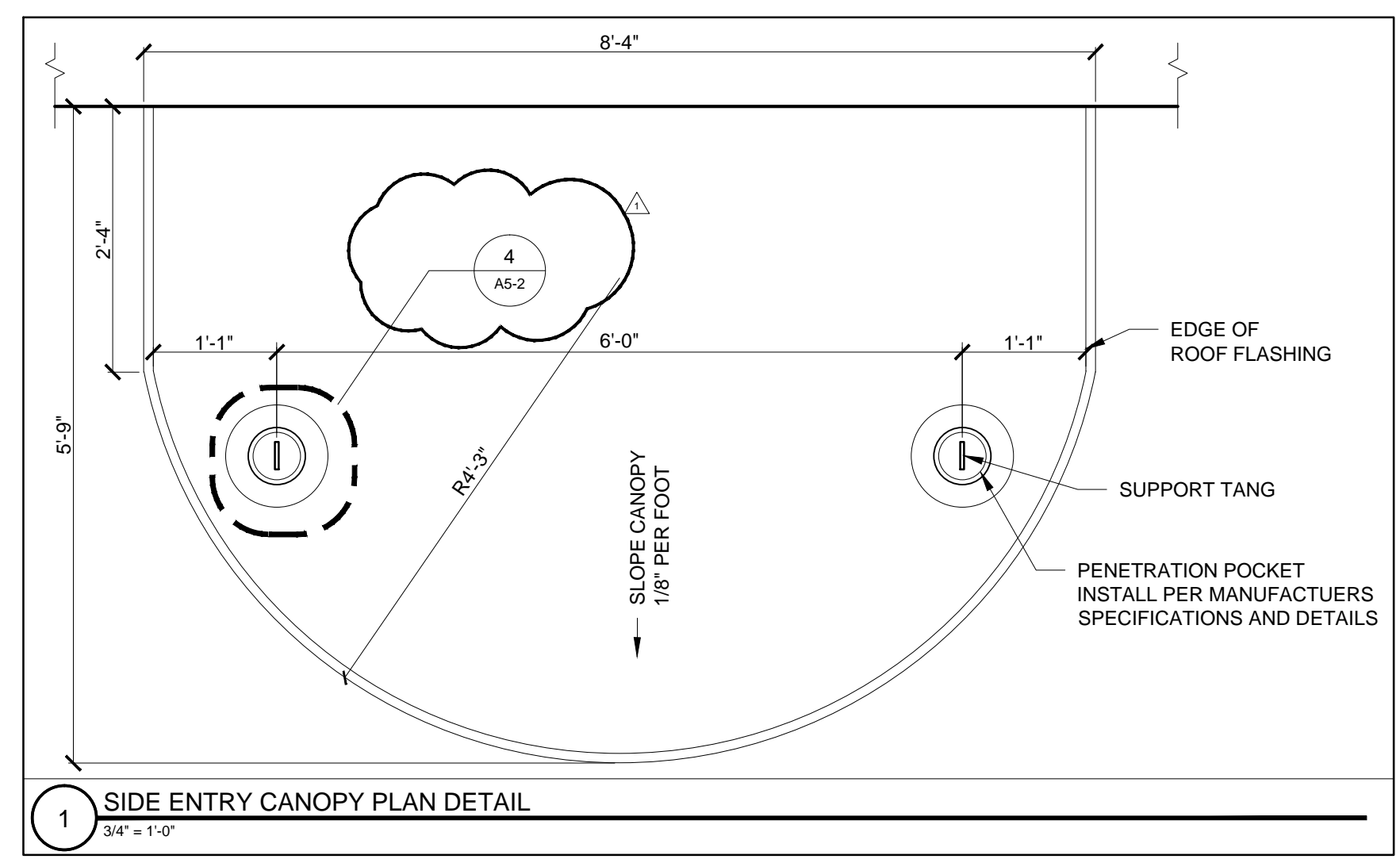
2 SIDE FIRE STAIR EXIT CANOPY PLAN DETAIL
3/4" = 1'-0"



8 ROOF DECK EXTERIOR DOOR PLAN DETAIL
3/4" = 1'-0"



4 NEW TO EXISTING DOOR WAY PLAN DETAIL
3/4" = 1'-0"



1 SIDE ENTRY CANOPY PLAN DETAIL
3/4" = 1'-0"