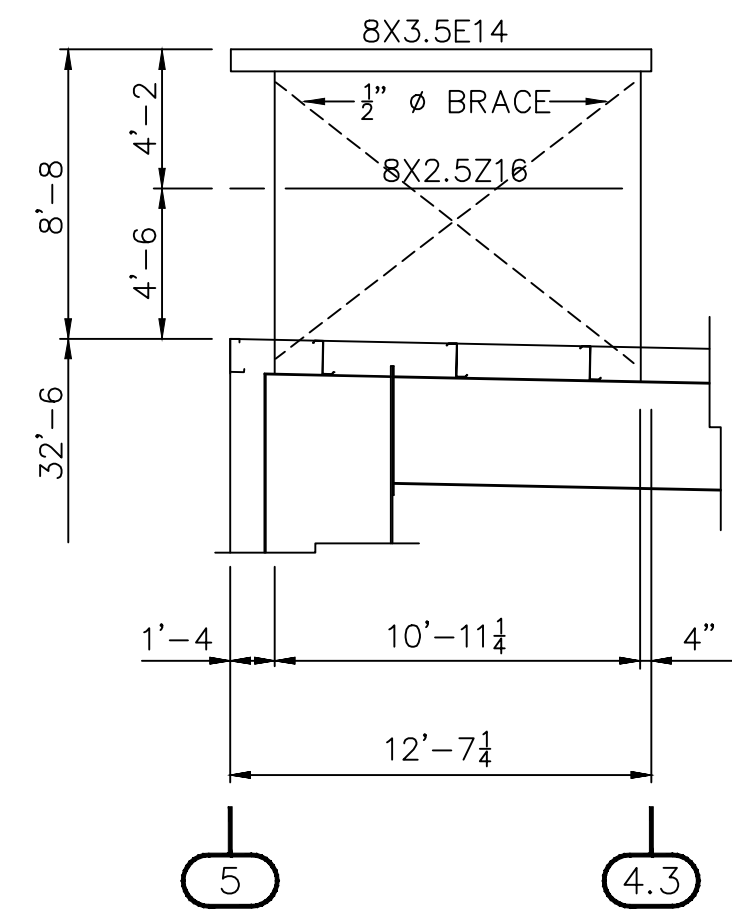
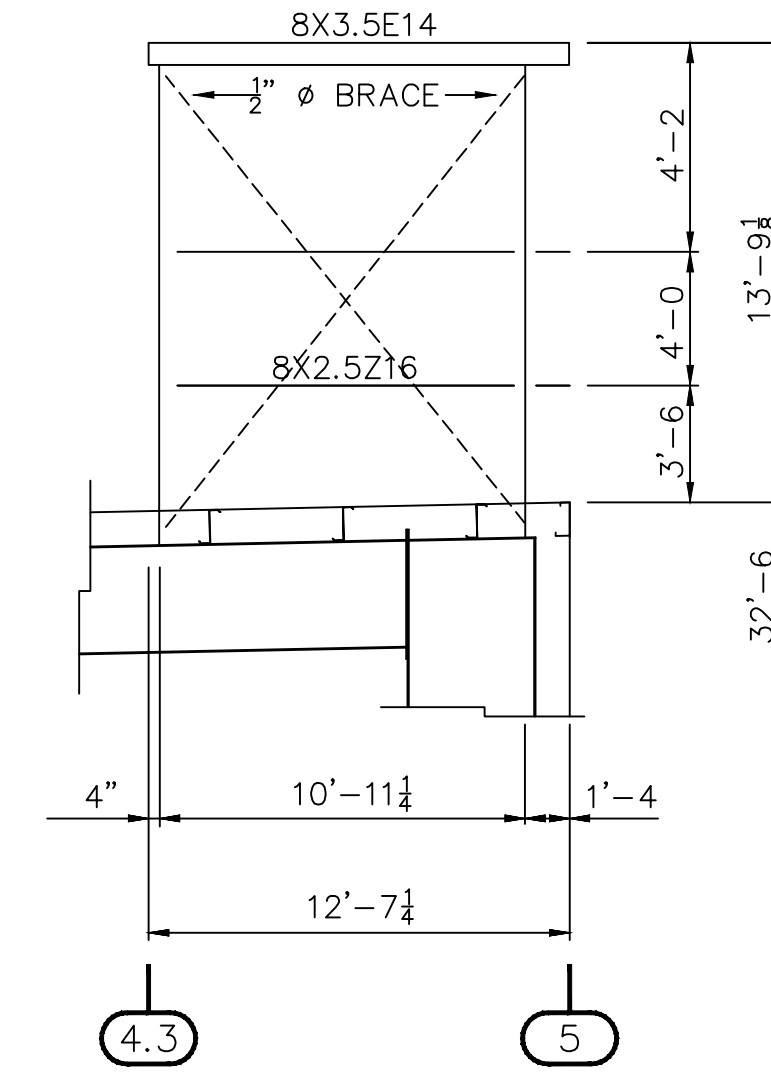


ENDWALL ELEVATION "EWC" AT GRID LINE "4.3"
BUILDING "F"



ENDWALL ELEVATION "SWD" AT GRID LINE "J.1"
BUILDING "F"



ENDWALL ELEVATION "SWB" AT GRID LINE "F.9"
BUILDING "F"

O:\PROJECTS\XDS-V6-00-00 FRAME = active\ENG\15-B-26518\ver02-bdcolor\Bldg-A\Drftg\X01L.dwg
O:\PROJECTS\XDS-V6-00-00 FB SET = Eng\15-B-26518\ver02-bdcolor\Bldg-A\Drftg\X01L.dwg Eng/15

Revision	Date	Description	By	Ck'd

A&S BUILDING SYSTEMS
1880 HWY. 116, CARYVILLE, TENNESSEE 37714
PHONE: 865-426-2141 FAX: 865-426-2011

Customer:
AMERICAN AERIAL SERVICES, INC.
33 ALLEN AVENUE EXT.
FALMOUTH, ME. 04105

Project Name & Location:
BAYSIDE BOWL ADDITION
58 ALDER STREET
PORTLAND, ME. 04101

Drawing Status:
 Preliminary (Not For Construction)
 For Approval (Not For Construction)
 For Construction Permit
 For Erector Installation

Scale: NOT TO SCALE
 Drawn by: DRF 4/26/16
 Checked by: NC 4/26/16
 Project Engineer: BDC
 Job Number: 15-B-26518-1
 Sheet Number: E14 of 30

The engineer whose seal appears hereon is an employee for the manufacturer for the materials described herein. Said seal or certification is limited to the products designed and manufactured by manufacturer only. The undersigned engineer is not the overall engineer of record for this project.

Lee W. Lowe, P.E.
Maine P.E. 8861

Apr 26, 2016

