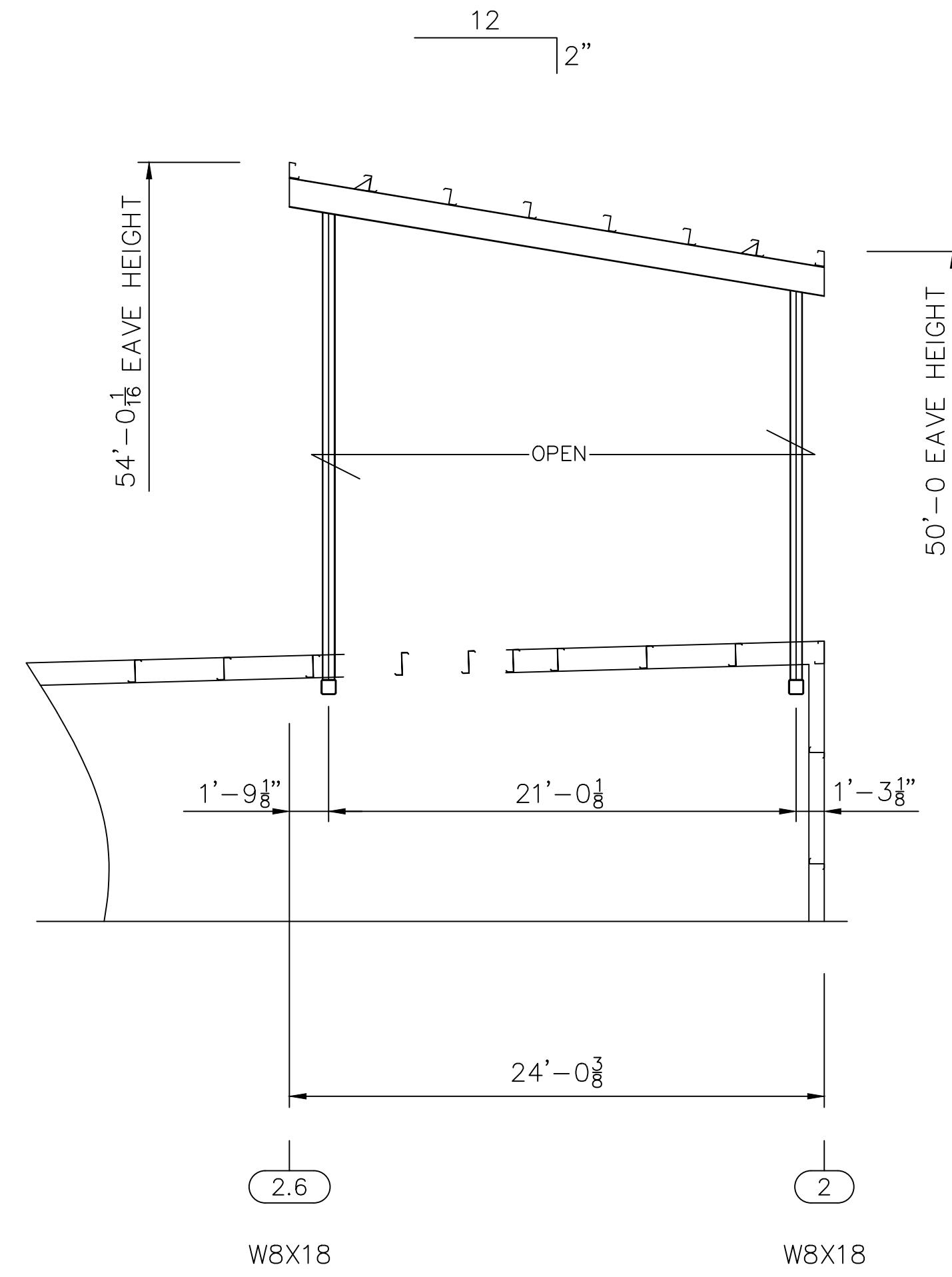
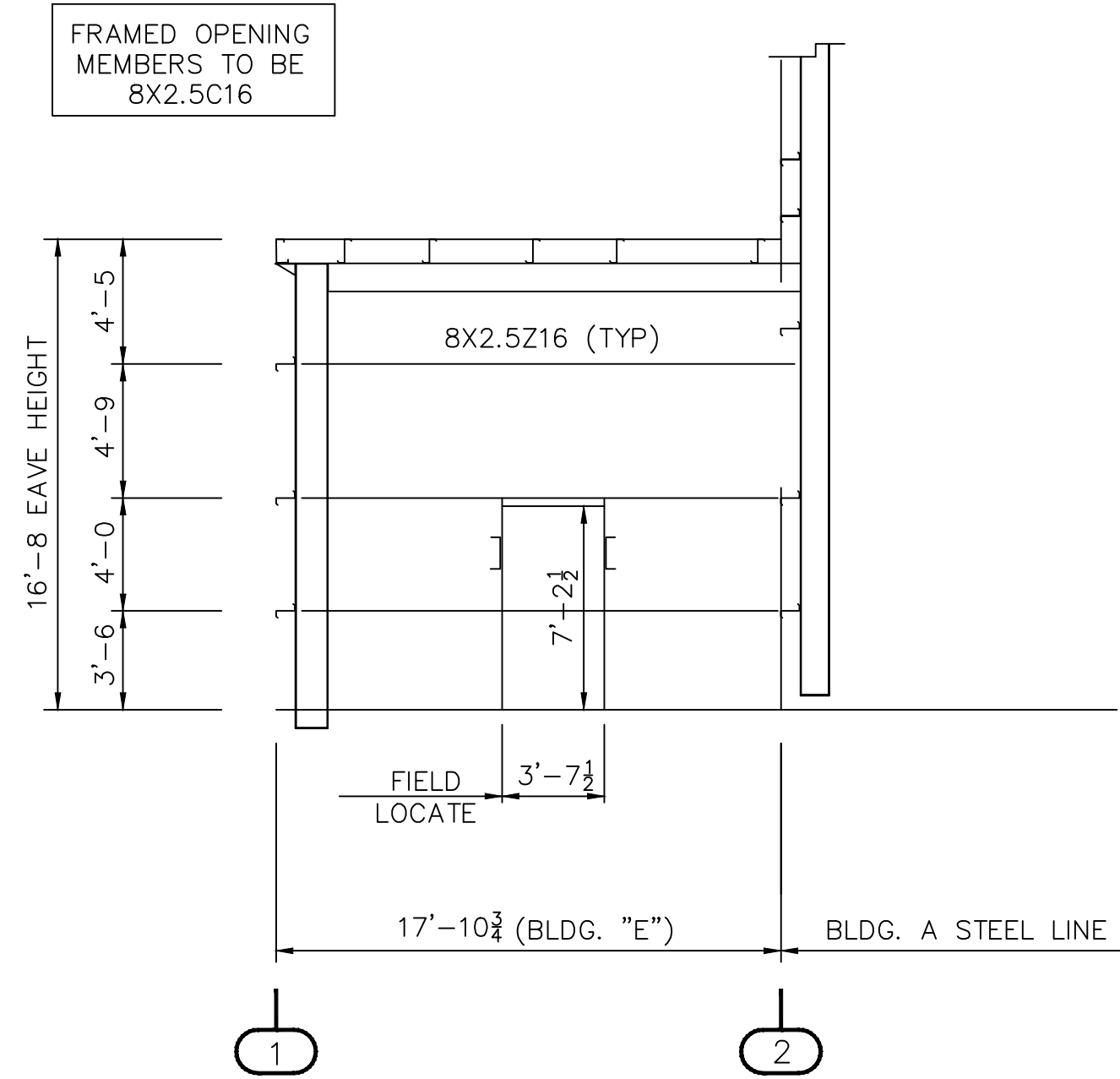


SIDEWALL ELEVATION "EWB" AT GRID LINE "A"  
BUILDING "E & B"



ENDWALL ELEVATION "EWD" AT GRID LINE "B.8"  
BUILDING "J"



ENDWALL ELEVATION "EWB" AT GRID LINE "A.7"  
BUILDING "E"

Revision	Date	Description	By	Ck'd

<b>A&amp;S BUILDING SYSTEMS</b> 1880 HWY. 116, CARYVILLE, TENNESSEE 37714 PHONE: 865-426-2141 FAX: 865-426-2011	<b>Customer:</b> AMERICAN AERIAL SERVICES, INC. 33 ALLEN AVENUE EXT. FALMOUTH, ME. 04105	<b>Project Name &amp; Location:</b> BAYSIDE BOWL ADDITION 58 ALDER STREET PORTLAND, ME. 04101	<input checked="" type="checkbox"/> For Construction Permit
			<input type="checkbox"/> For Approval <input type="checkbox"/> For Erector Installation

Scale:	NOT TO SCALE
Drawn by:	DRF 4/26/16
Checked by:	NC 4/26/16
Project Engineer:	BDC
Job Number:	15-B-26518-1
Sheet Number:	E12 of 30

The engineer whose seal appears hereon is an employee for the manufacturer for the materials described herein. Said seal or certification is limited to the products designed and manufactured by manufacturer only. The undersigned engineer is not the overall engineer of record for this project.

Lee W. Lowe, P.E.  
Maine P.E. 8861

Apr 26, 2016

