

© 2016 RYAN SENATORE ARCHITECTURE

ADDITION TO BAYSIDE BOWL
ALDER STREET
PORTLAND, MAINE



RYAN SENATORE ARCHITECTURE
565 CONGRESS STREET
PORTLAND, MAINE 04101
207-656-6414
senatorearchitecture.com

CONSULTANTS:
STRUCTURAL:
Structural Integrity
77 Oak Street
Portland, ME 04101
207-774-4814

REVISIONS:

DATE: JANUARY 29, 2016

PROJECT No. 1452

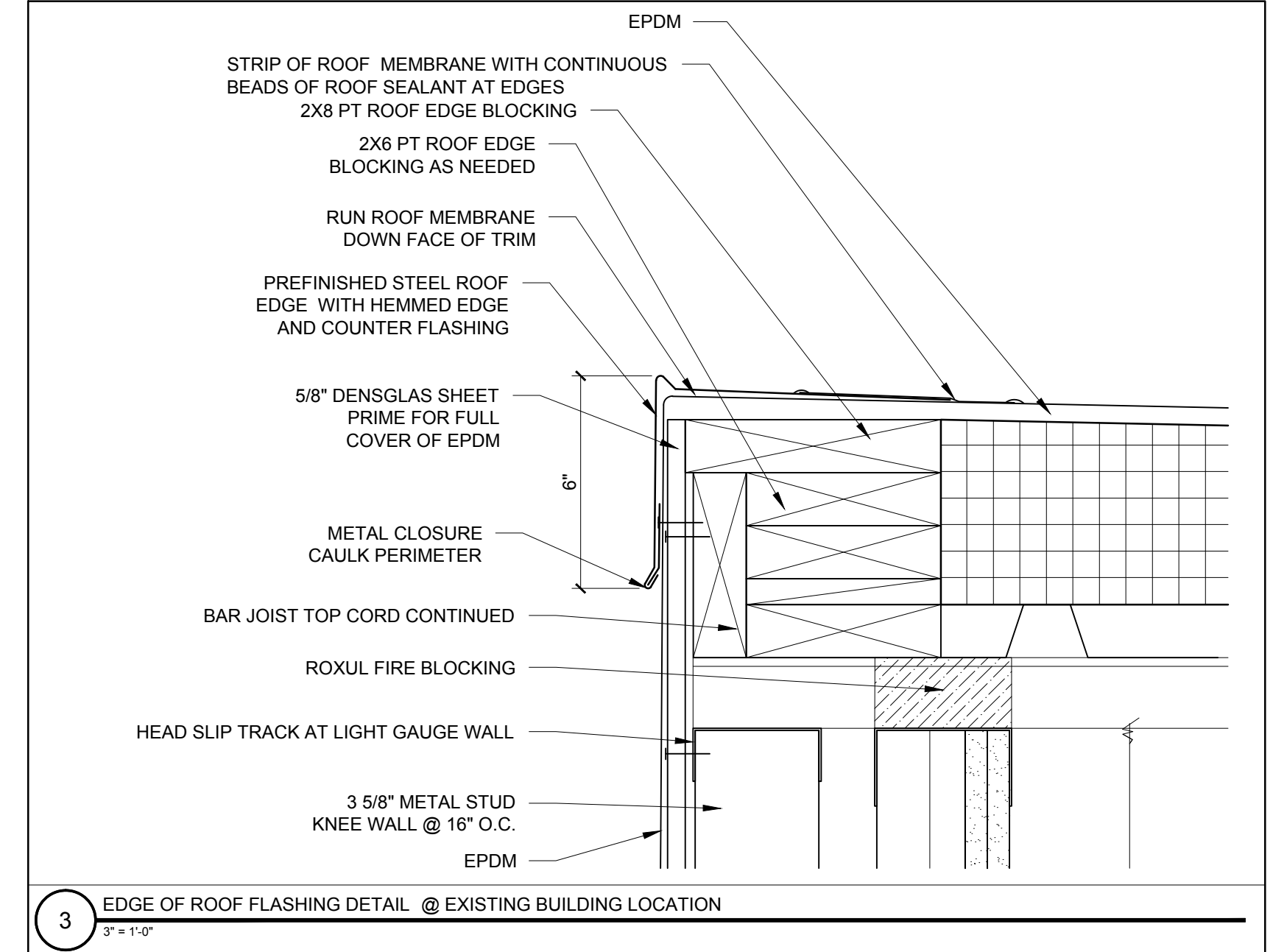
DRAWN BY: JPF / RRT / RJS

CHECKED BY: RJS

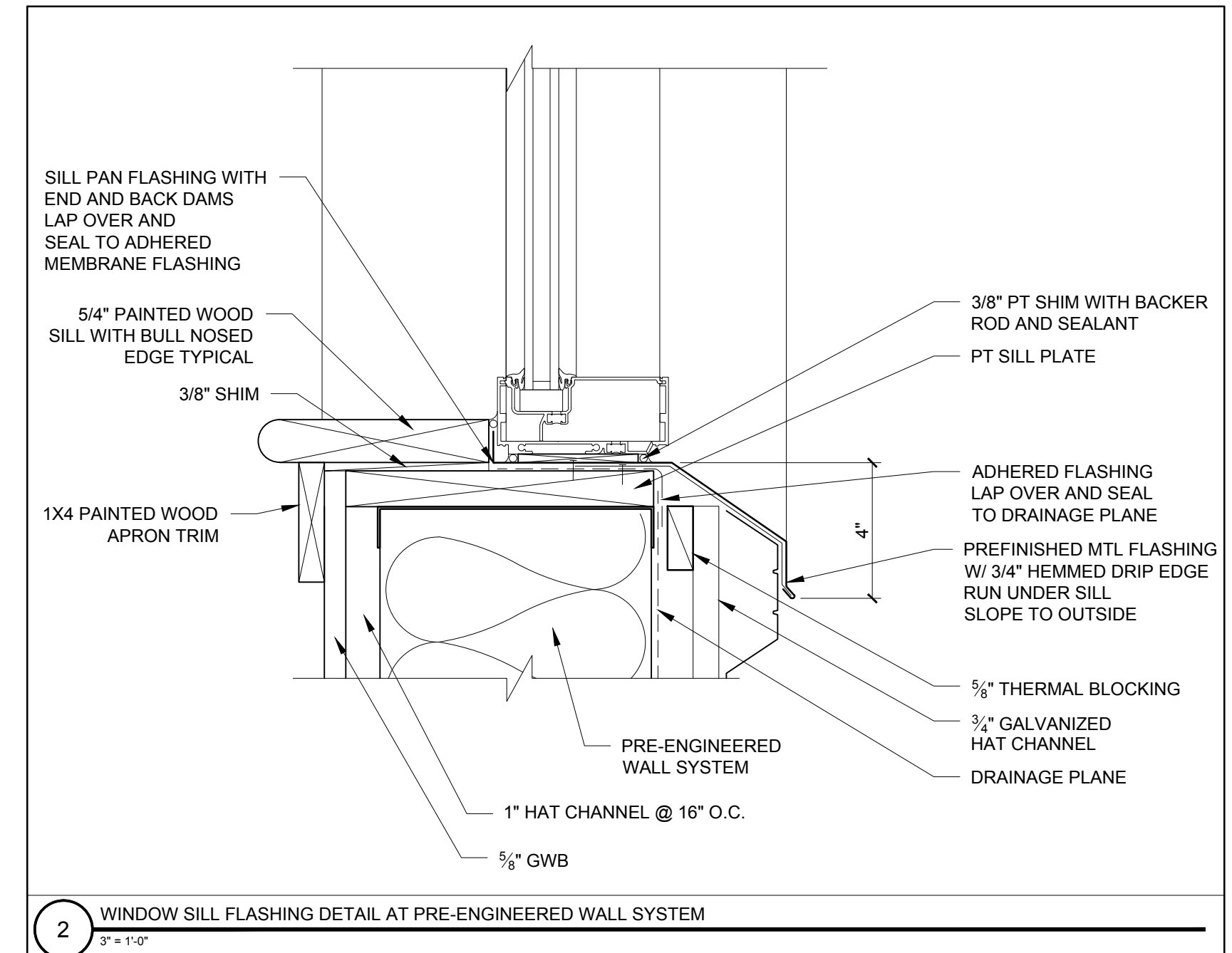
SCALE: AS NOTED

SHEET TITLE:
DETAILS

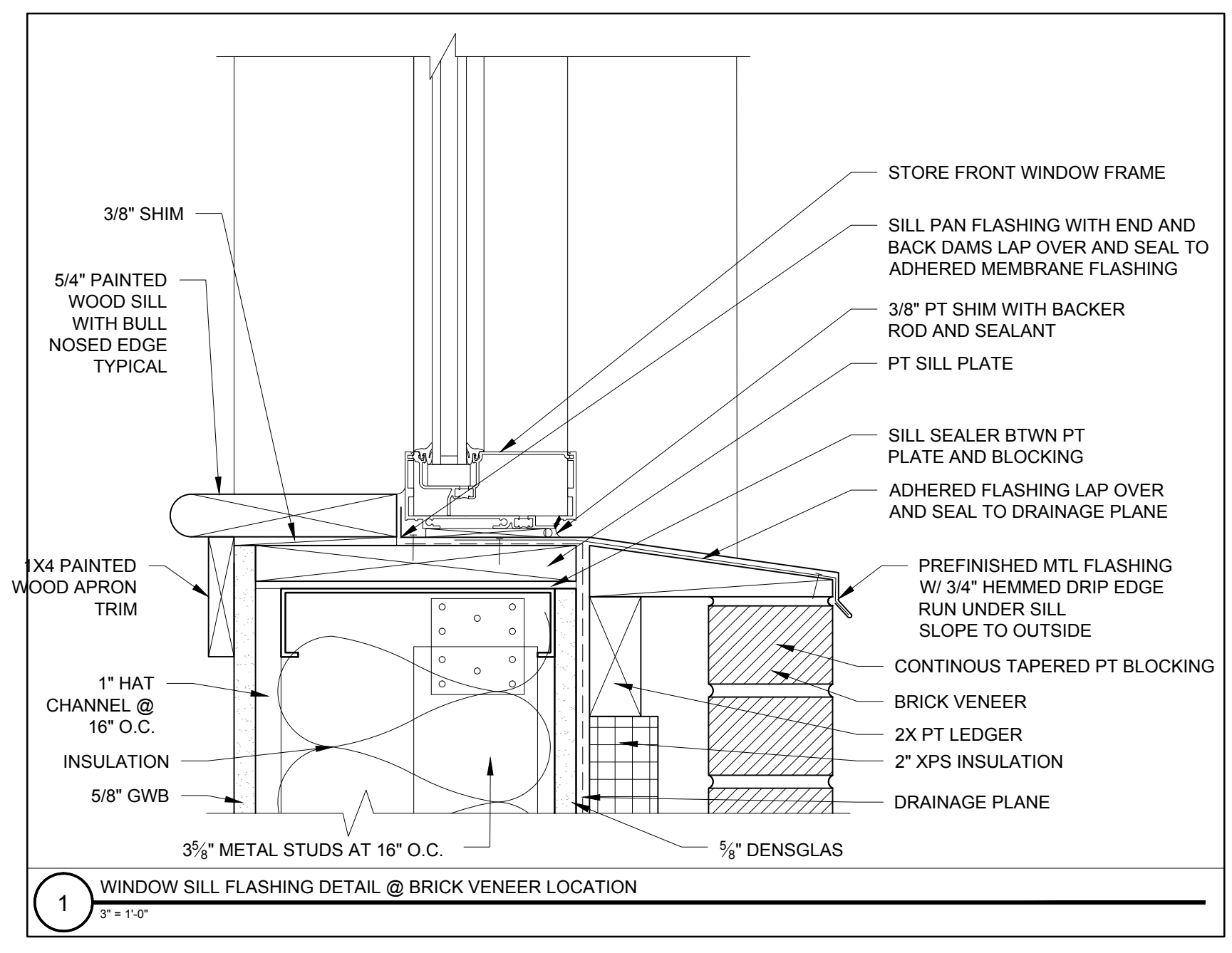
A5-8



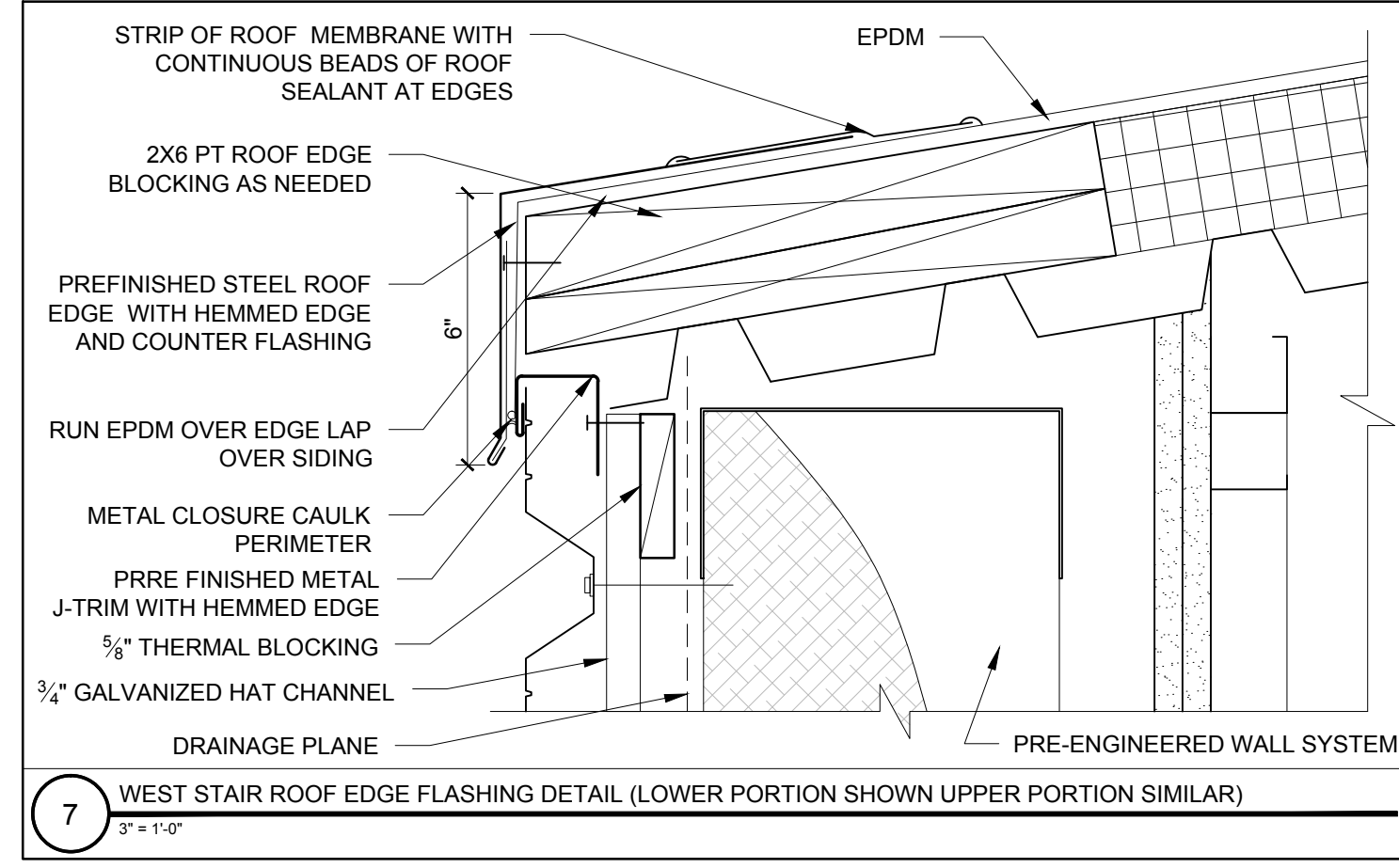
3 EDGE OF ROOF FLASHING DETAIL @ EXISTING BUILDING LOCATION
3" = 1'-0"



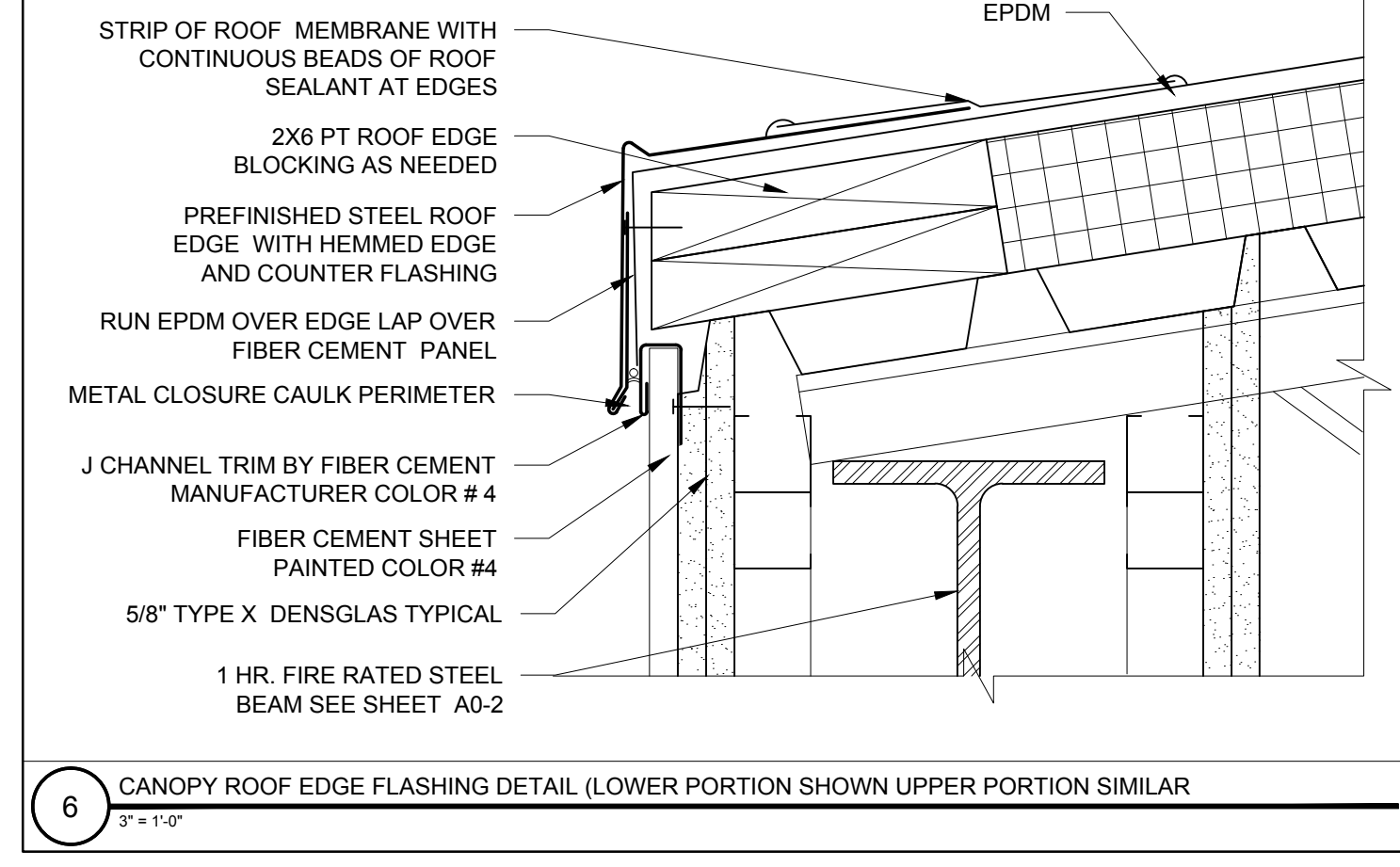
2 WINDOW SILL FLASHING DETAIL AT PRE-ENGINEERED WALL SYSTEM
3" = 1'-0"



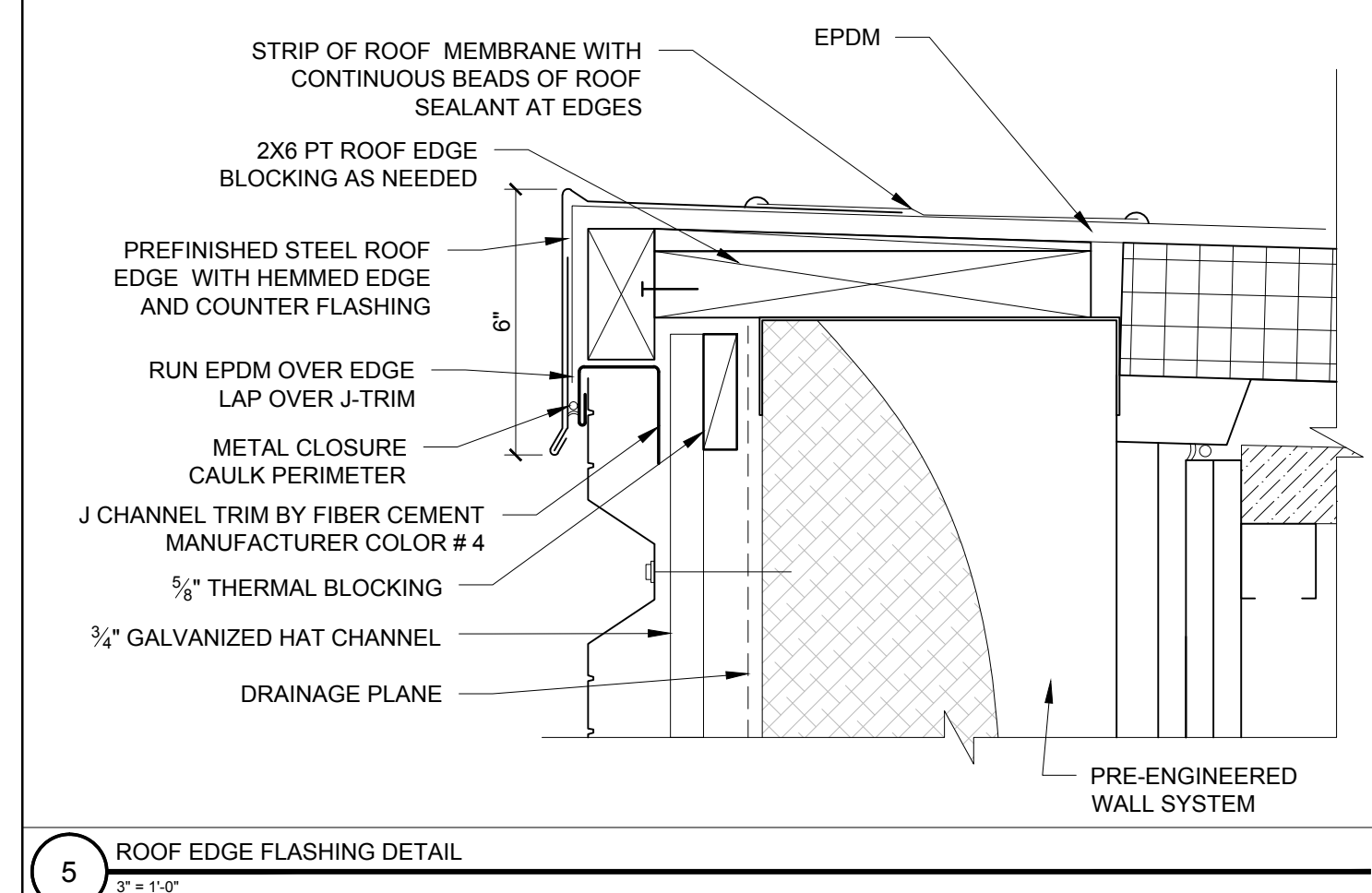
1 WINDOW SILL FLASHING DETAIL @ BRICK VENEER LOCATION
3" = 1'-0"



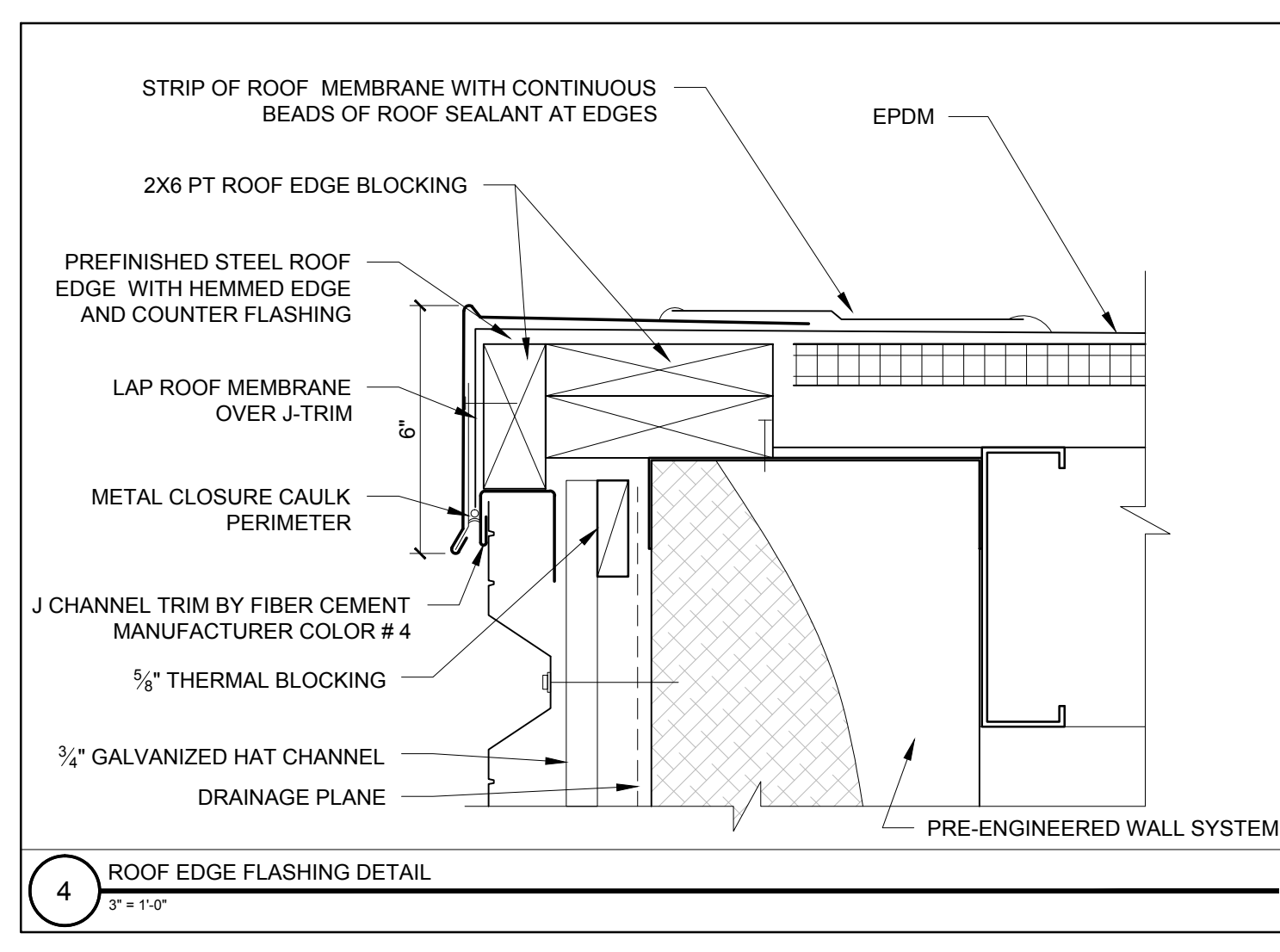
7 WEST STAIR ROOF EDGE FLASHING DETAIL (LOWER PORTION SHOWN UPPER PORTION SIMILAR)
3" = 1'-0"



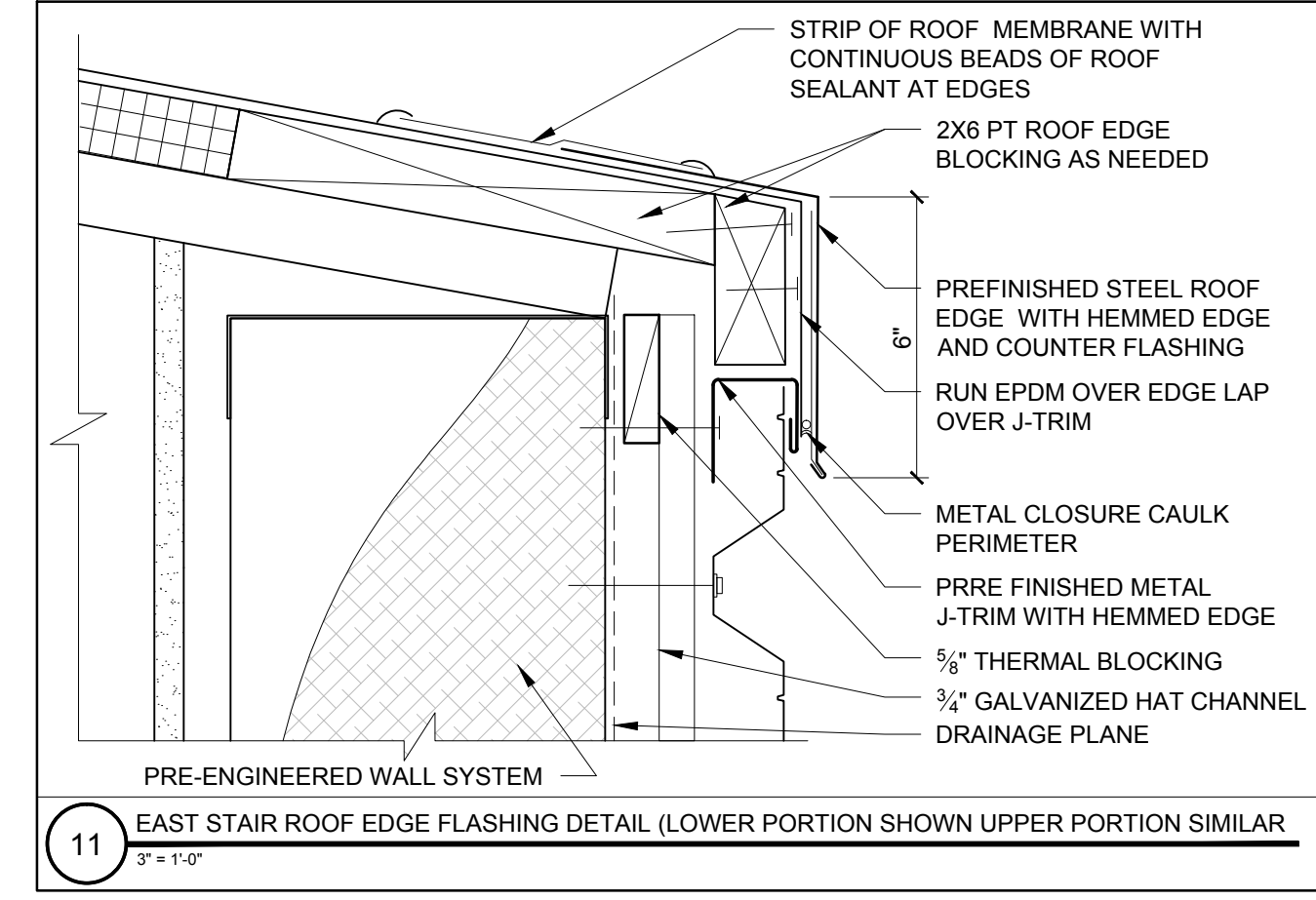
6 CANOPY ROOF EDGE FLASHING DETAIL (LOWER PORTION SHOWN UPPER PORTION SIMILAR)
3" = 1'-0"



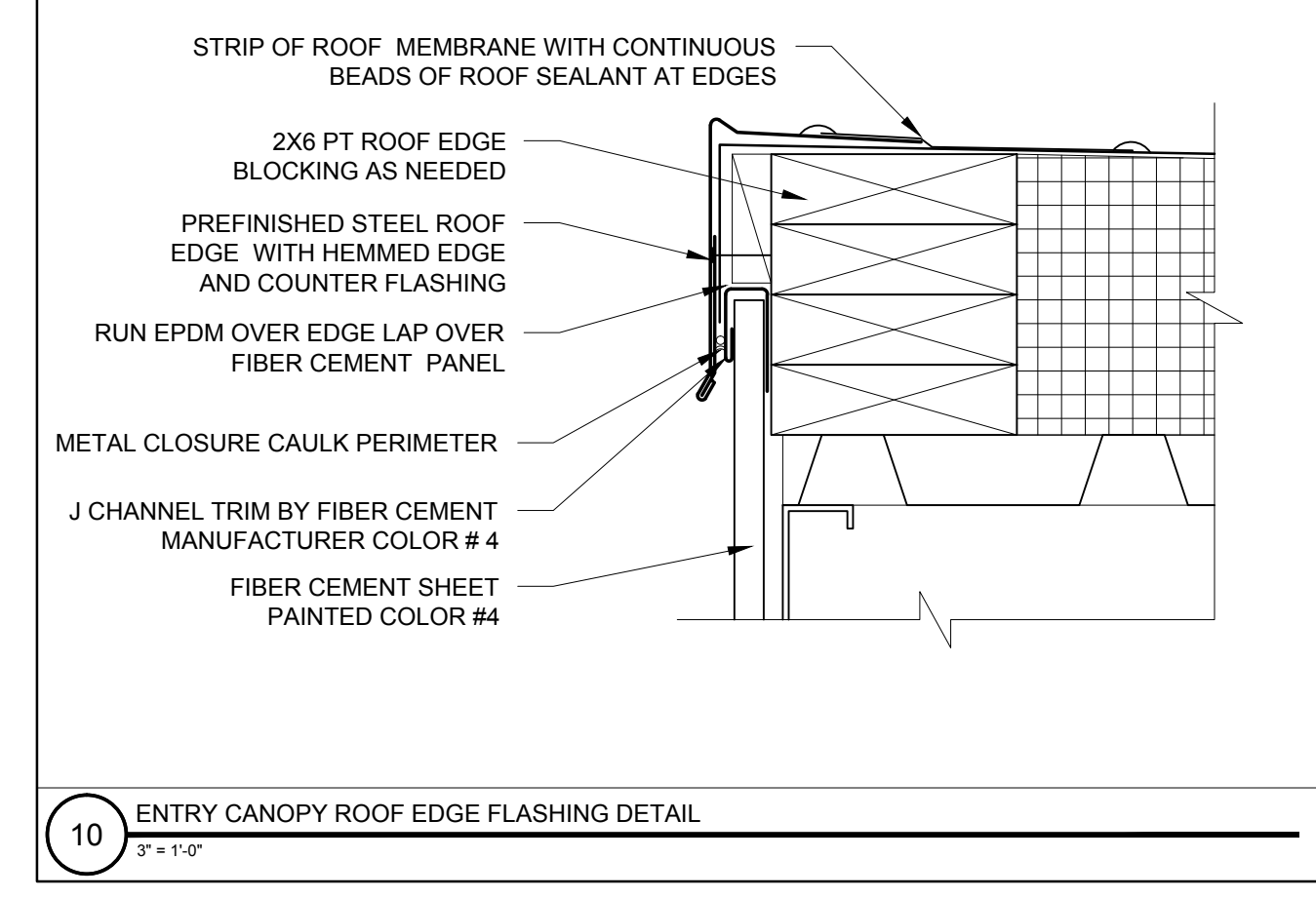
5 ROOF EDGE FLASHING DETAIL
3" = 1'-0"



4 ROOF EDGE FLASHING DETAIL
3" = 1'-0"



11 EAST STAIR ROOF EDGE FLASHING DETAIL (LOWER PORTION SHOWN UPPER PORTION SIMILAR)
3" = 1'-0"



10 ENTRY CANOPY ROOF EDGE FLASHING DETAIL
3" = 1'-0"