

© 2016 RYAN SENATORE ARCHITECTURE

**ADDITION TO BAYSIDE BOWL**  
ALDER STREET  
PORTLAND, MAINE



**RYAN SENATORE ARCHITECTURE**  
565 CONGRESS STREET  
PORTLAND, MAINE 04101  
207-656-6414  
senatorearchitecture.com

CONSULTANTS:  
STRUCTURAL: Structural Integrity  
77 Oak Street  
Portland, ME 04101  
207-774-4814

REVISIONS:

DATE: JANUARY 29, 2016

PROJECT No. 1452

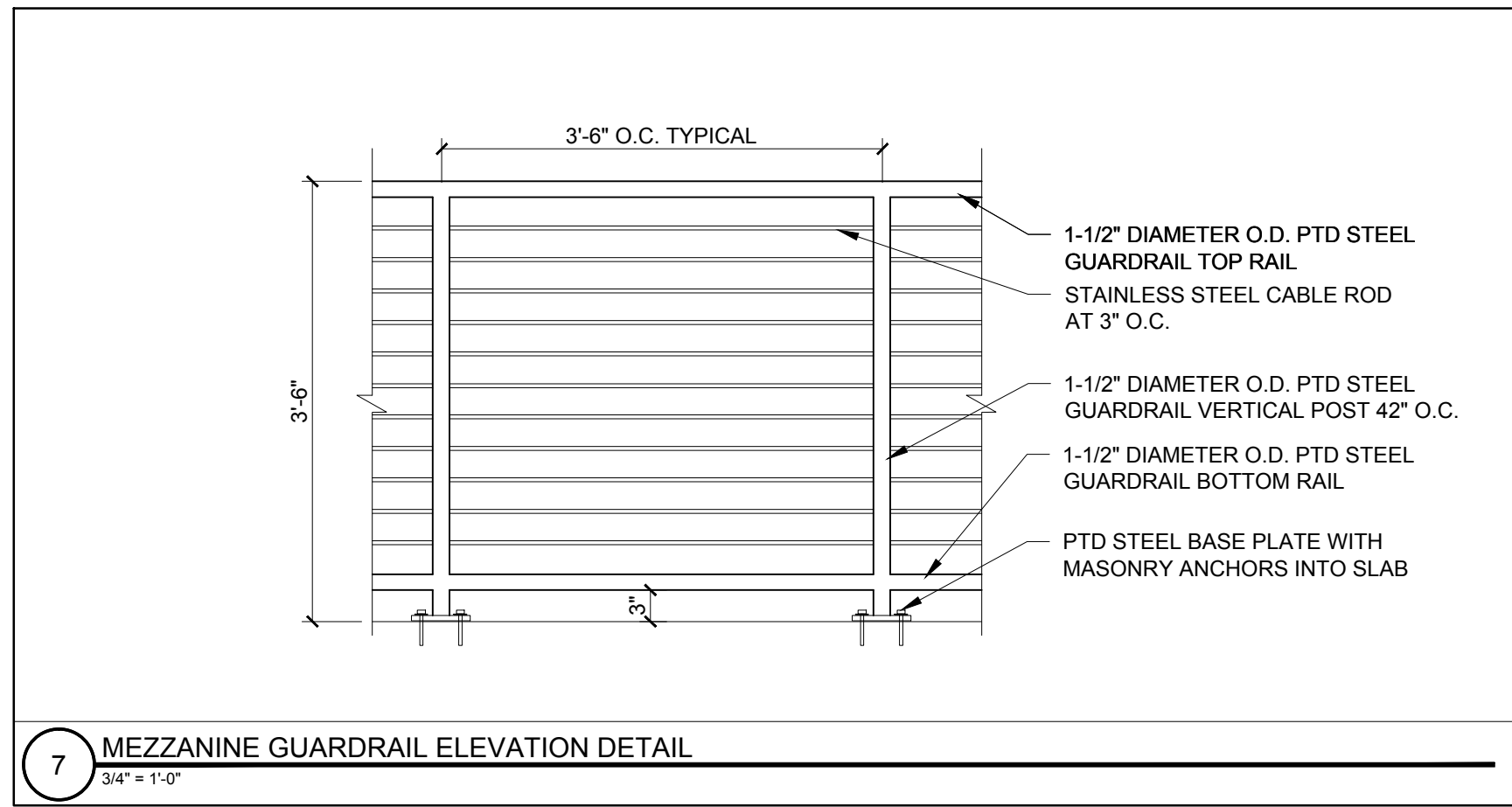
DRAWN BY: JPF / RRT / RJS

CHECKED BY: RJS

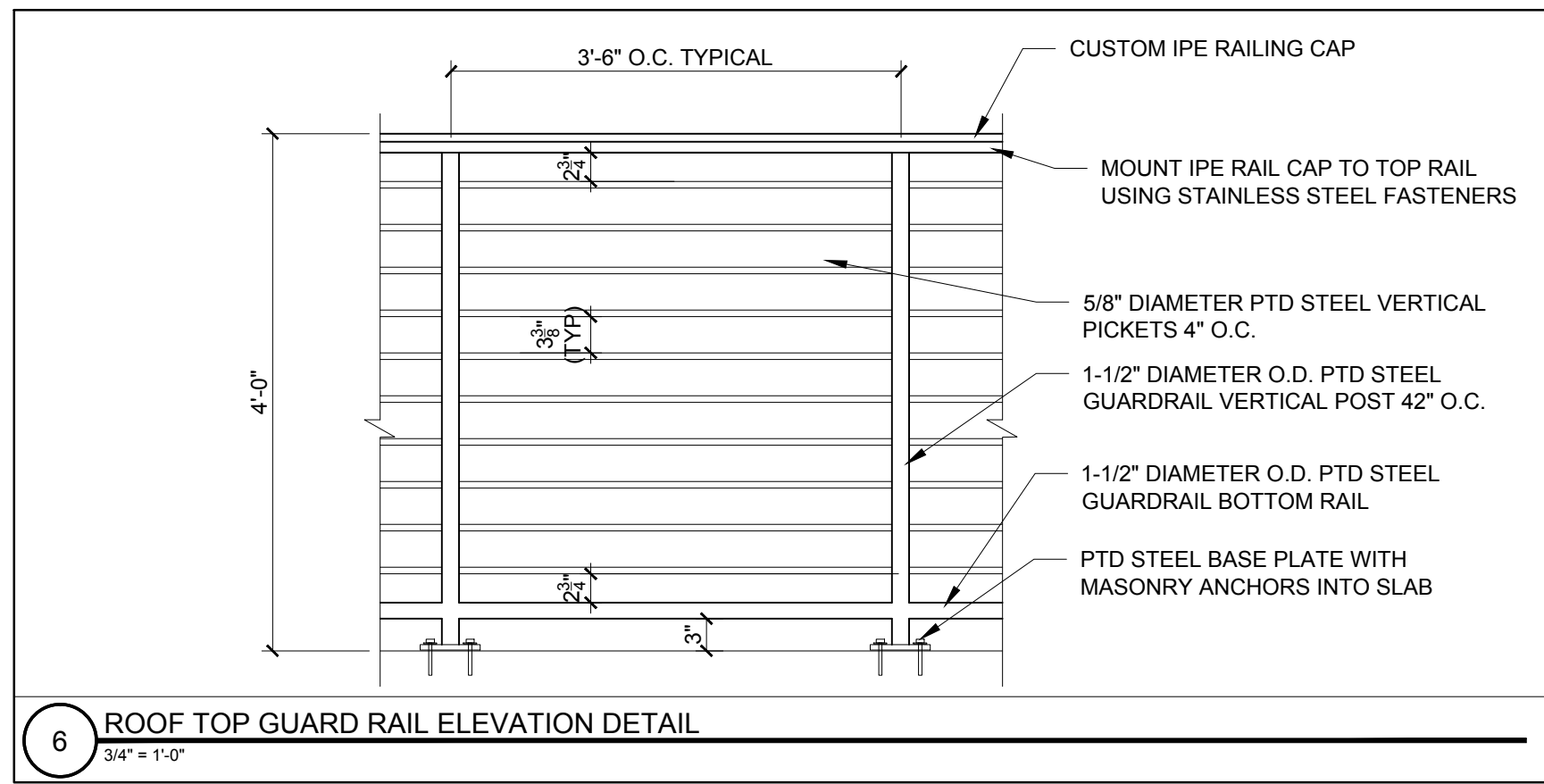
SCALE: AS NOTED

SHEET TITLE: DETAILS

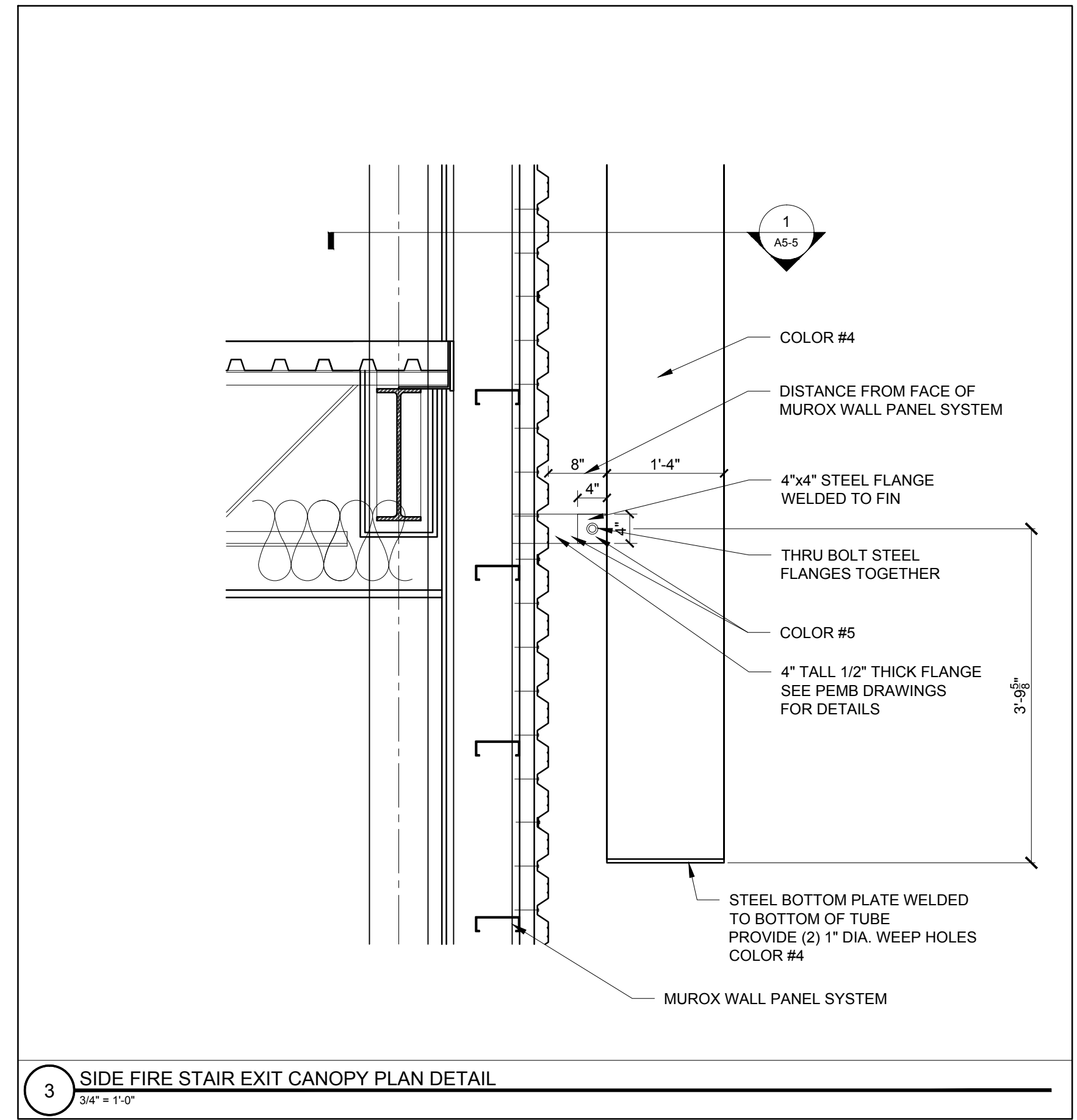
**A5-4**



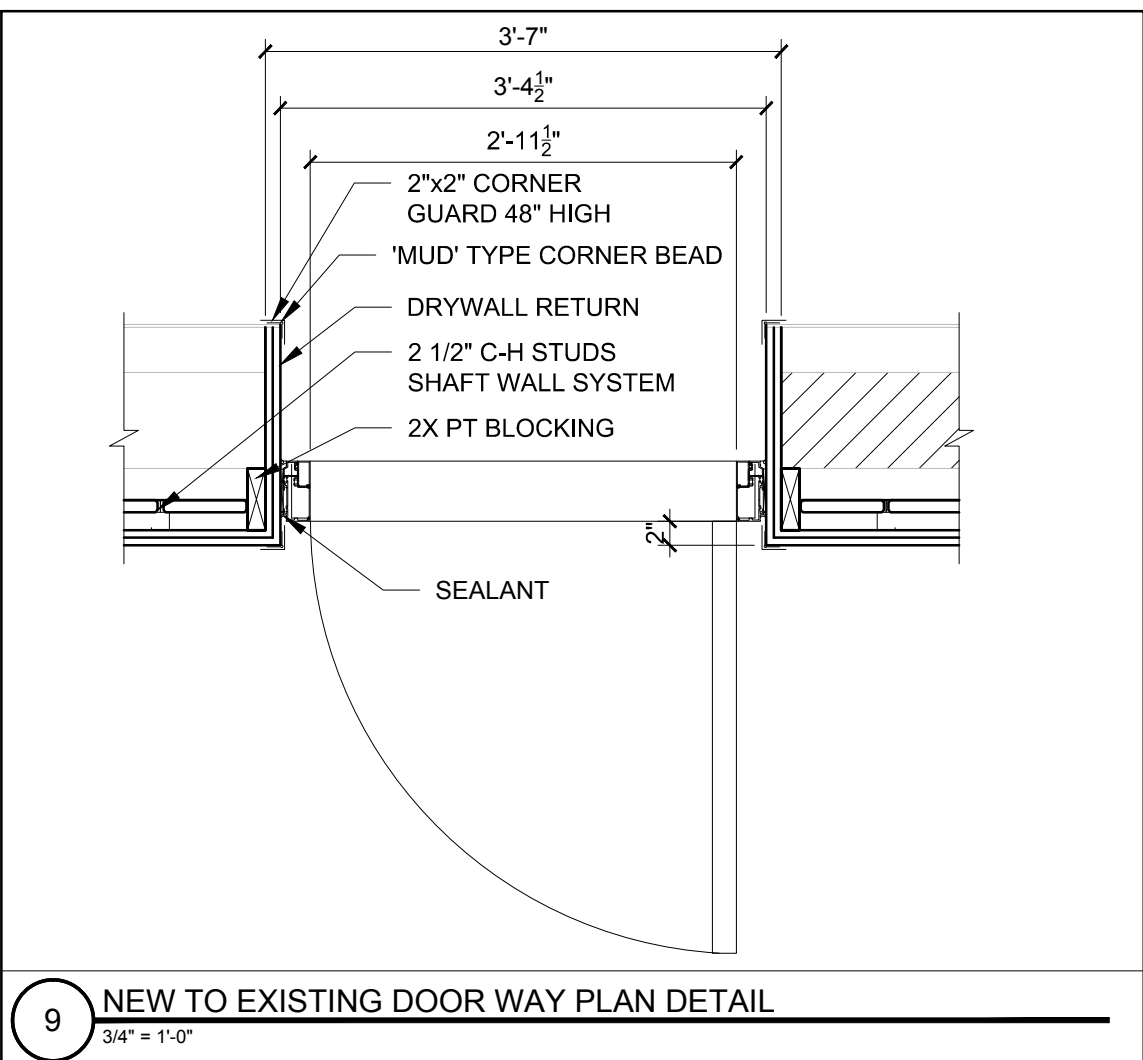
7 MEZZANINE GUARDRAIL ELEVATION DETAIL  
3/4" = 1'-0"



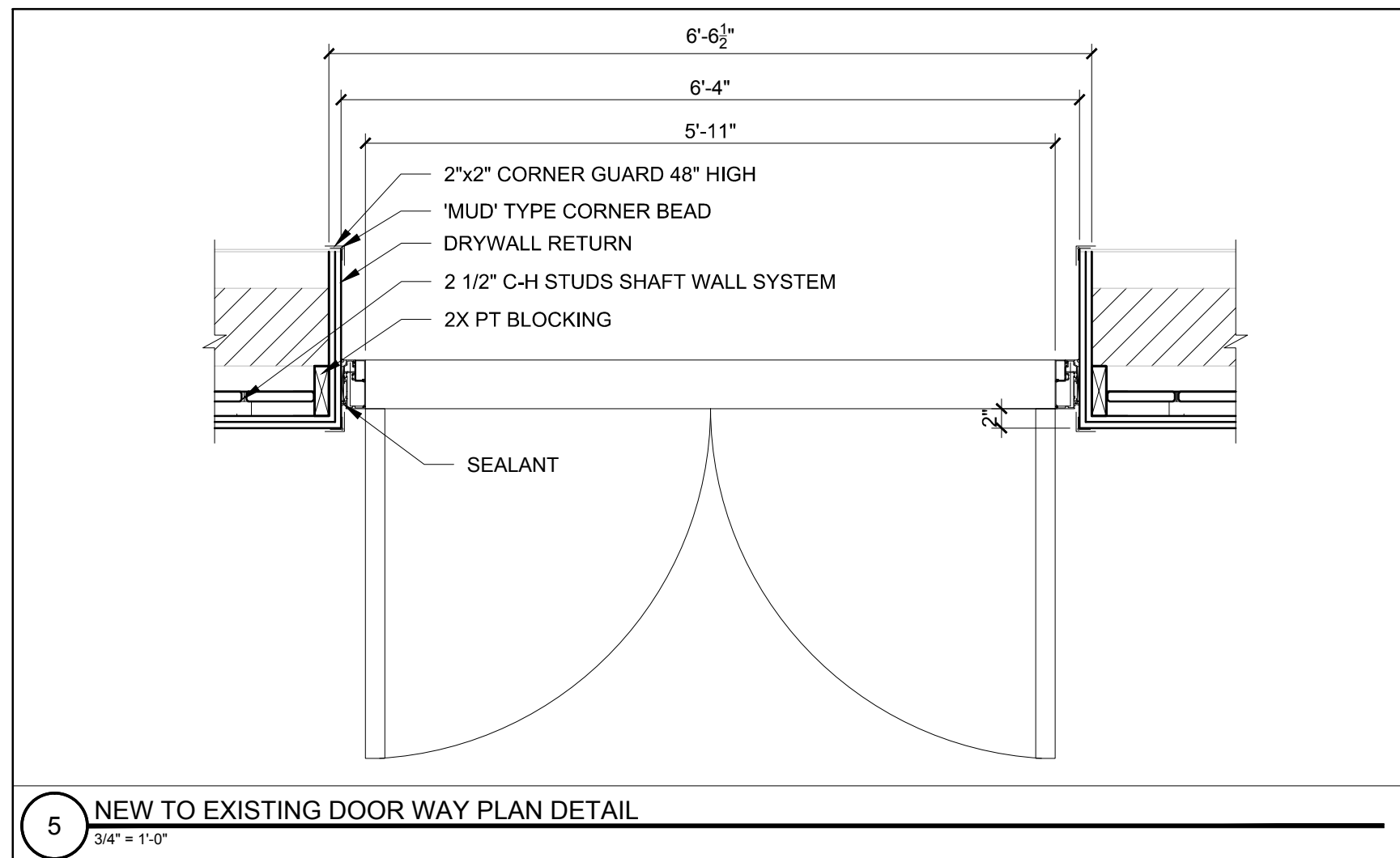
6 ROOF TOP GUARD RAIL ELEVATION DETAIL  
3/4" = 1'-0"



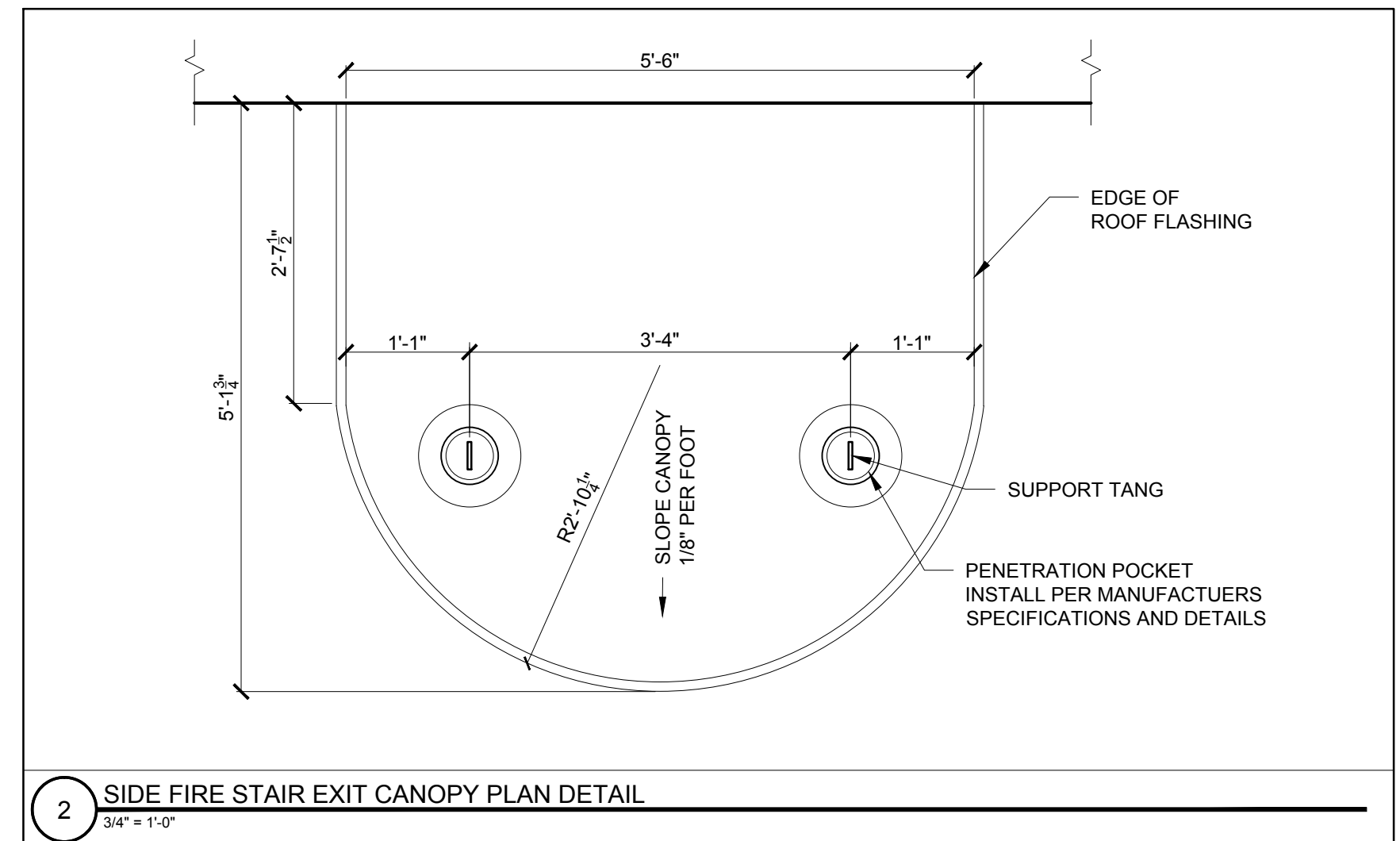
3 SIDE FIRE STAIR EXIT CANOPY PLAN DETAIL  
3/4" = 1'-0"



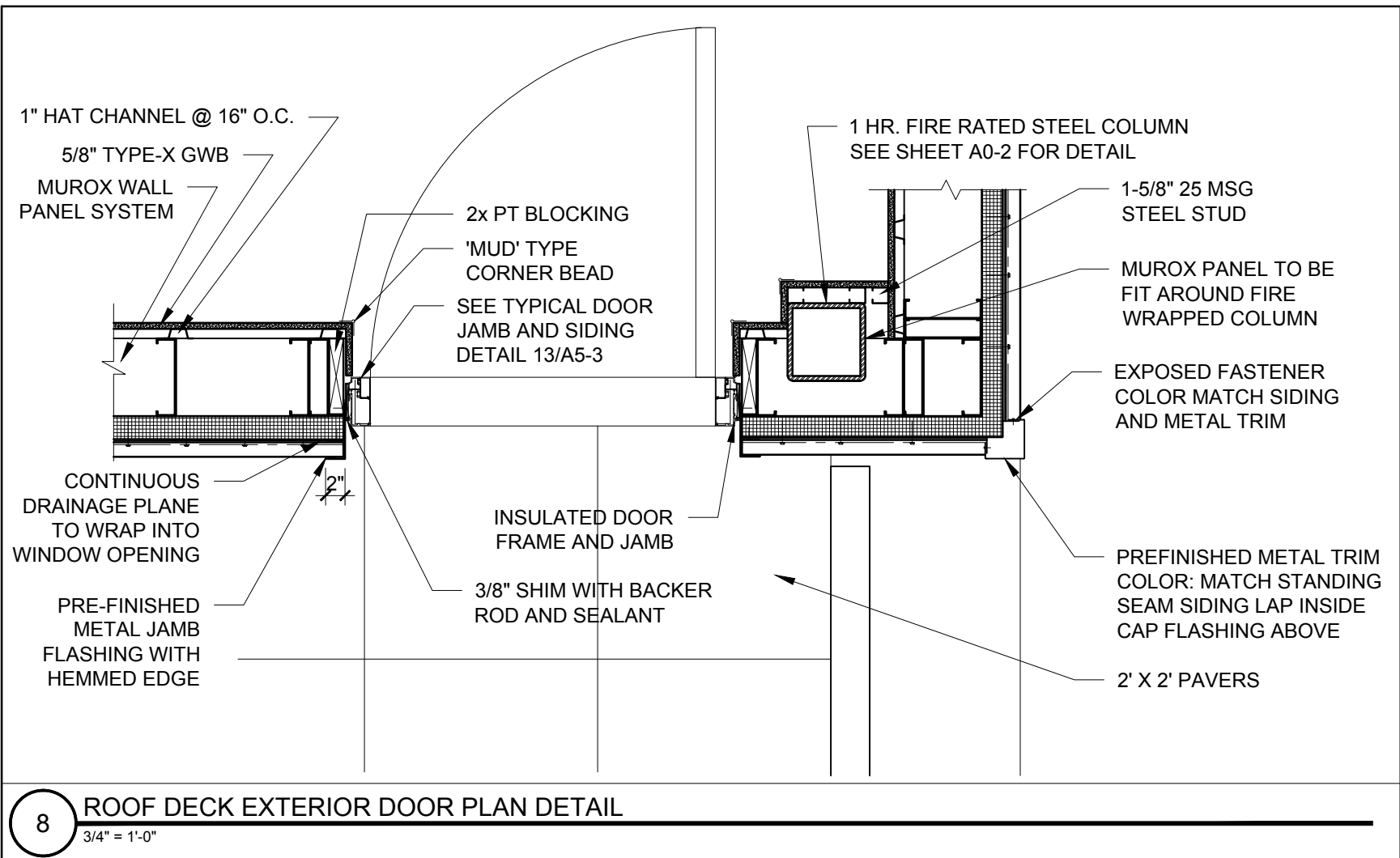
9 NEW TO EXISTING DOOR WAY PLAN DETAIL  
3/4" = 1'-0"



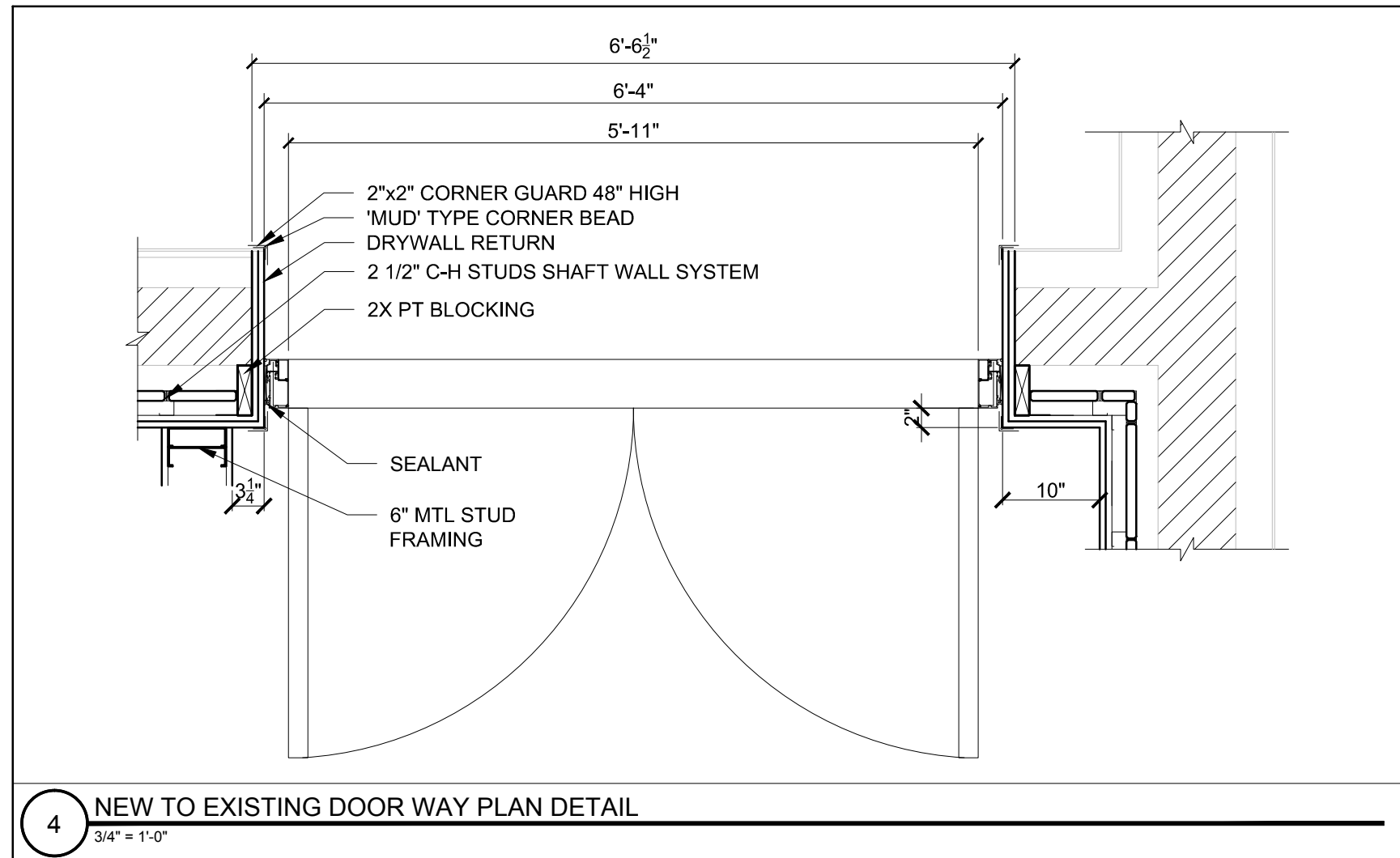
5 NEW TO EXISTING DOOR WAY PLAN DETAIL  
3/4" = 1'-0"



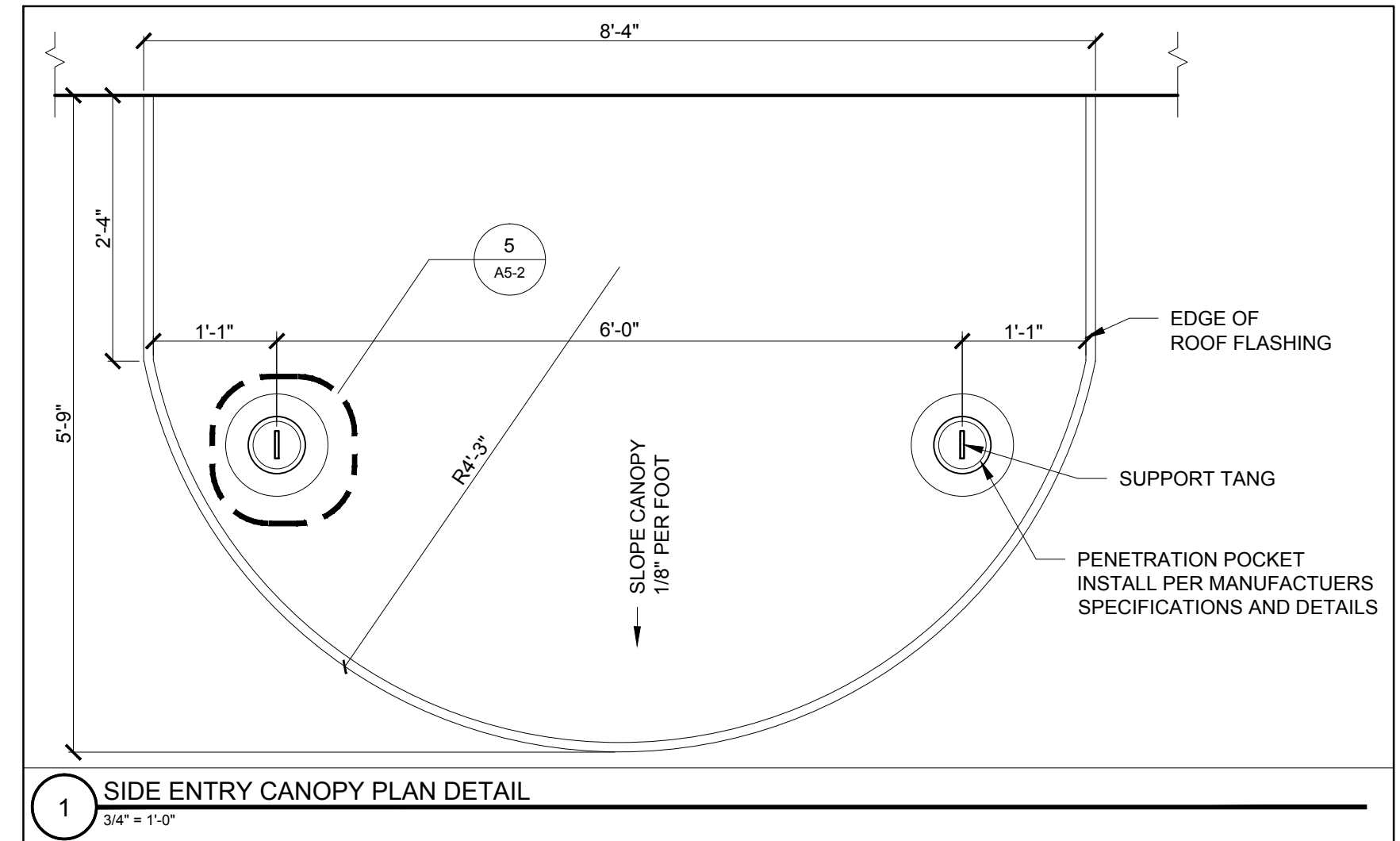
2 SIDE FIRE STAIR EXIT CANOPY PLAN DETAIL  
3/4" = 1'-0"



8 ROOF DECK EXTERIOR DOOR PLAN DETAIL  
3/4" = 1'-0"



4 NEW TO EXISTING DOOR WAY PLAN DETAIL  
3/4" = 1'-0"



1 SIDE ENTRY CANOPY PLAN DETAIL  
3/4" = 1'-0"