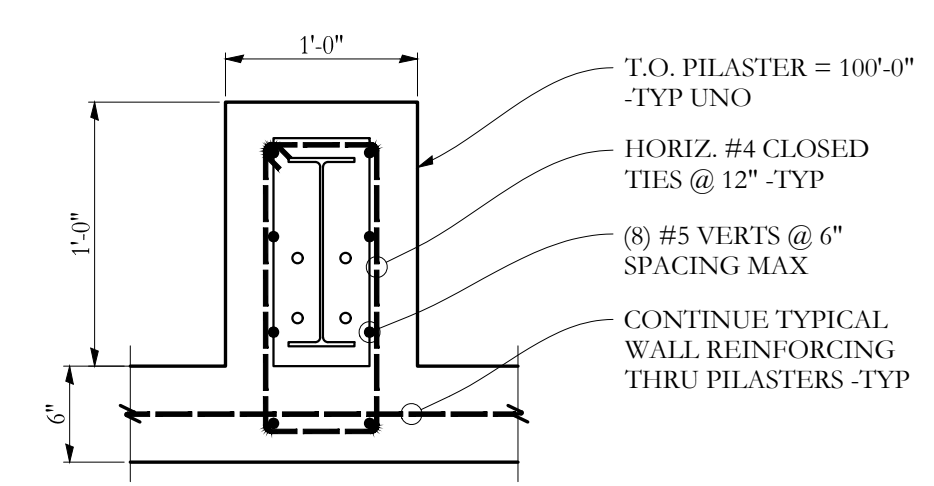
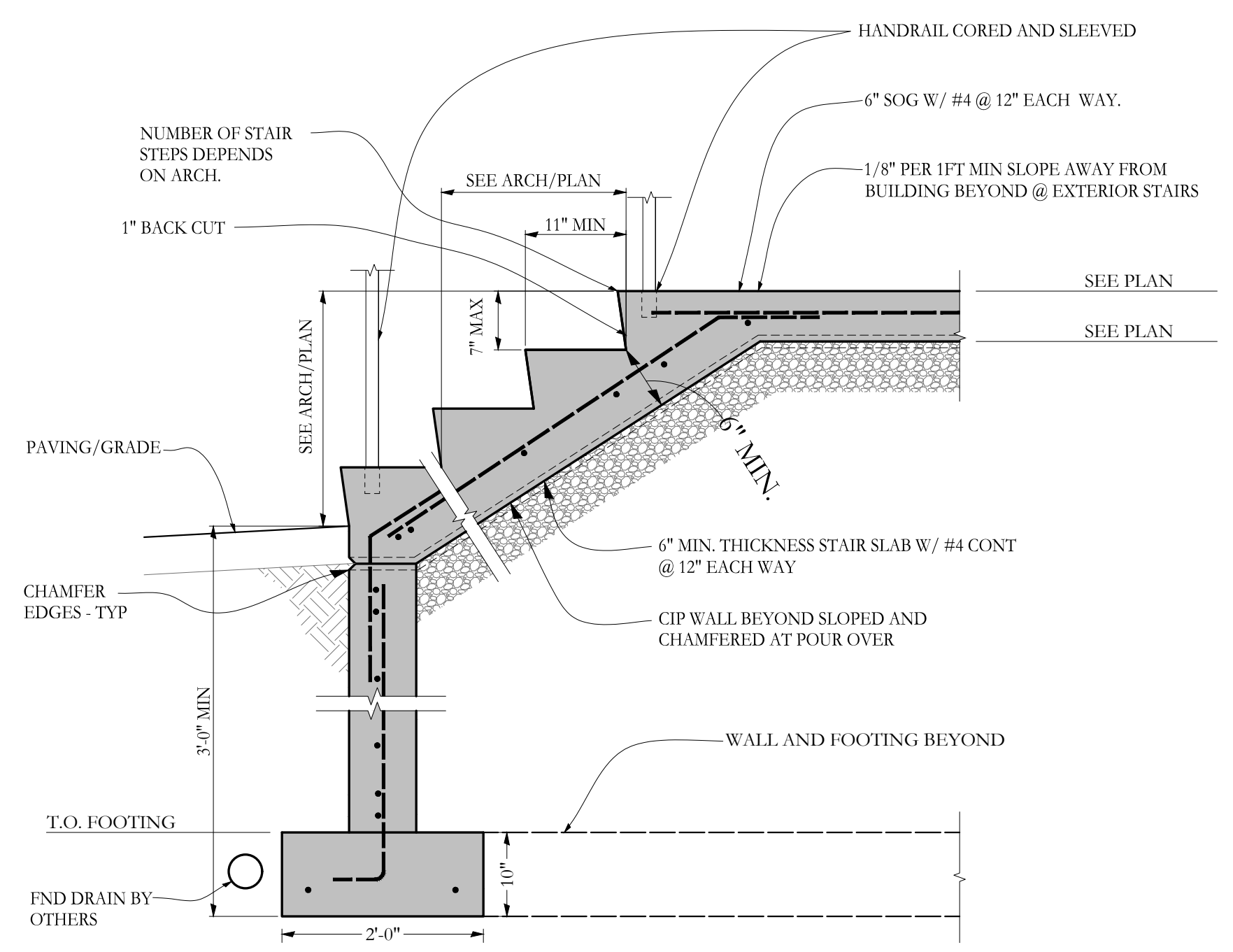


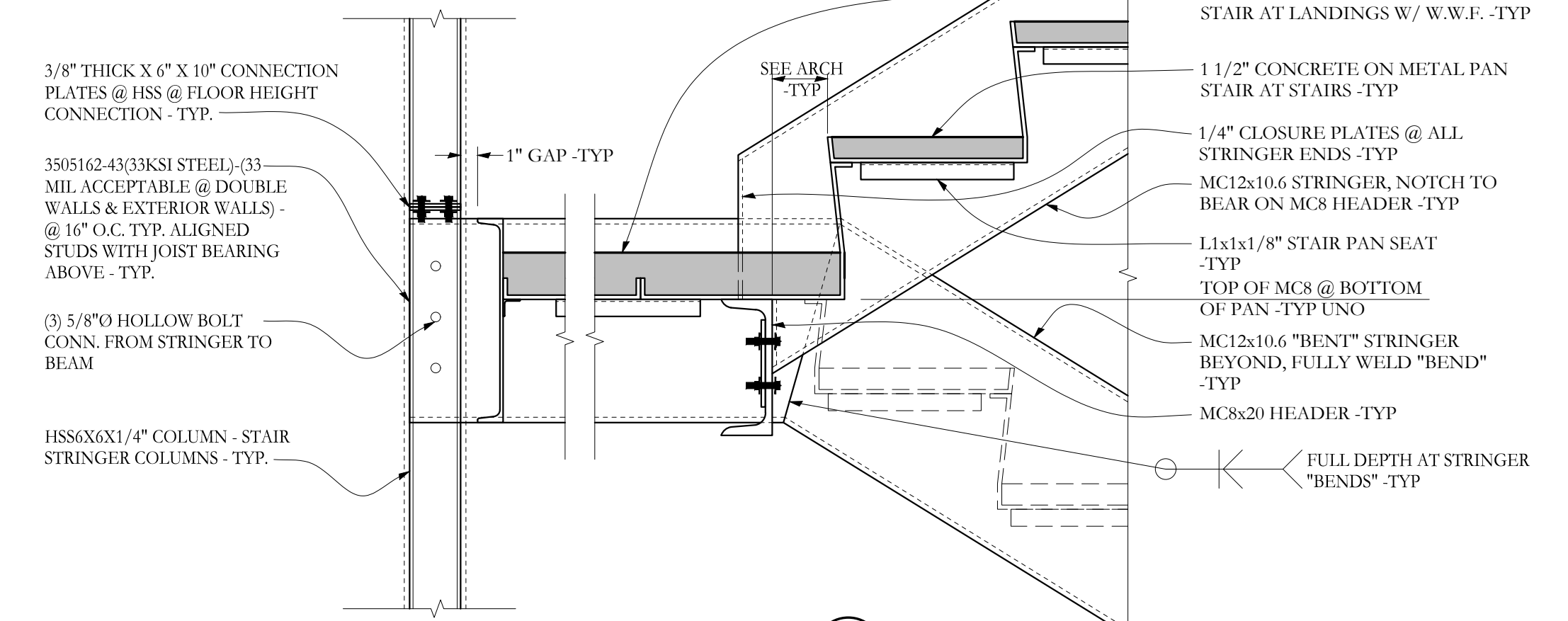
3/4"=1'-0" **DETAIL L** S2.2
TYPICAL CORNER PILASTER



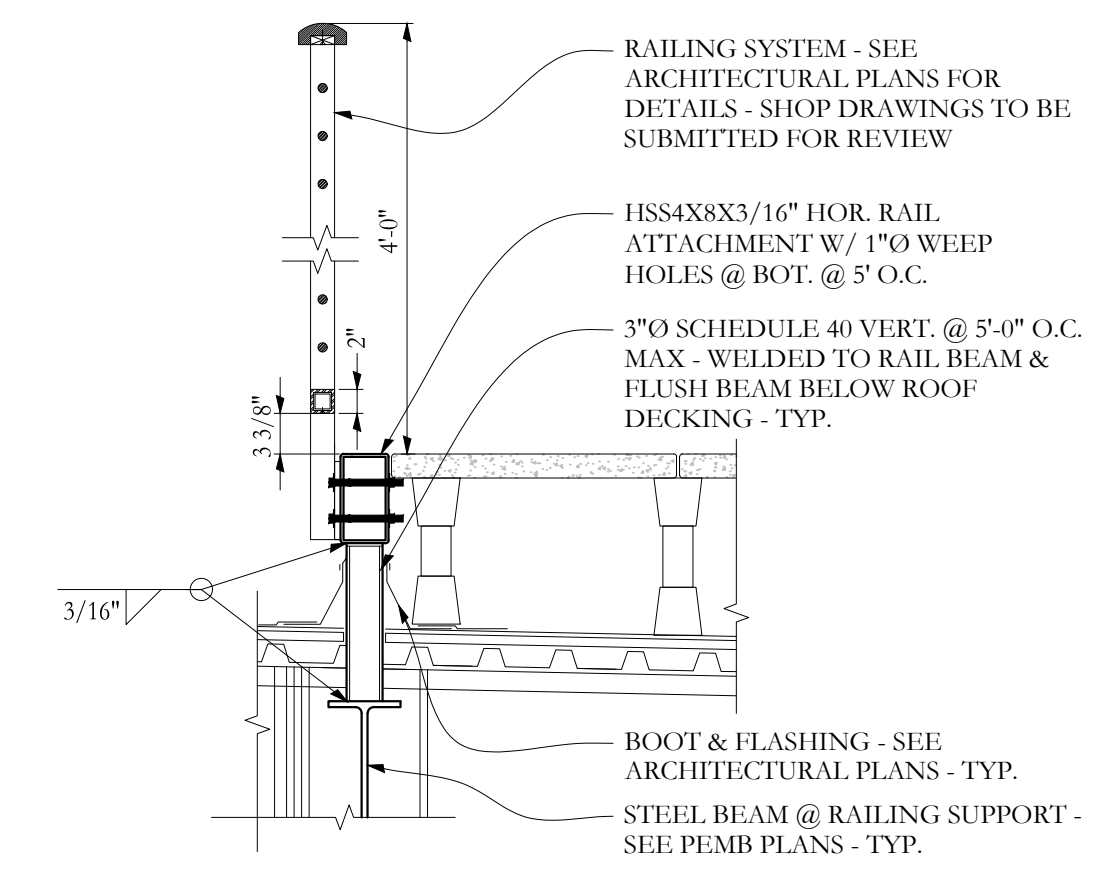
3/4"=1'-0" **DETAIL M** S2.2
TYPICAL STRAIGHT PILASTER



SECTION H S2.2 1 1/2"=1'-0



SECTION J S2.2 1 1/2"=1'-0



SECTION K S2.2 1 1/2"=1'-0