

© 2016 RYAN SENATORE ARCHITECTURE

**ADDITION TO BAYSIDE BOWL**  
**ALDER STREET**  
**PORTLAND, MAINE**



**RYAN SENATORE ARCHITECTURE**  
 565 CONGRESS STREET  
 PORTLAND, MAINE 04101  
 207-650-6414  
 senatorearchitecture.com

**CONSULTANTS:**  
**STRUCTURAL:**  
 Structural Integrity  
 77 Oak Street  
 Portland, ME 04101  
 207-774-4814

REVISIONS:

DATE: JANUARY 29, 2016

PROJECT No. 1452

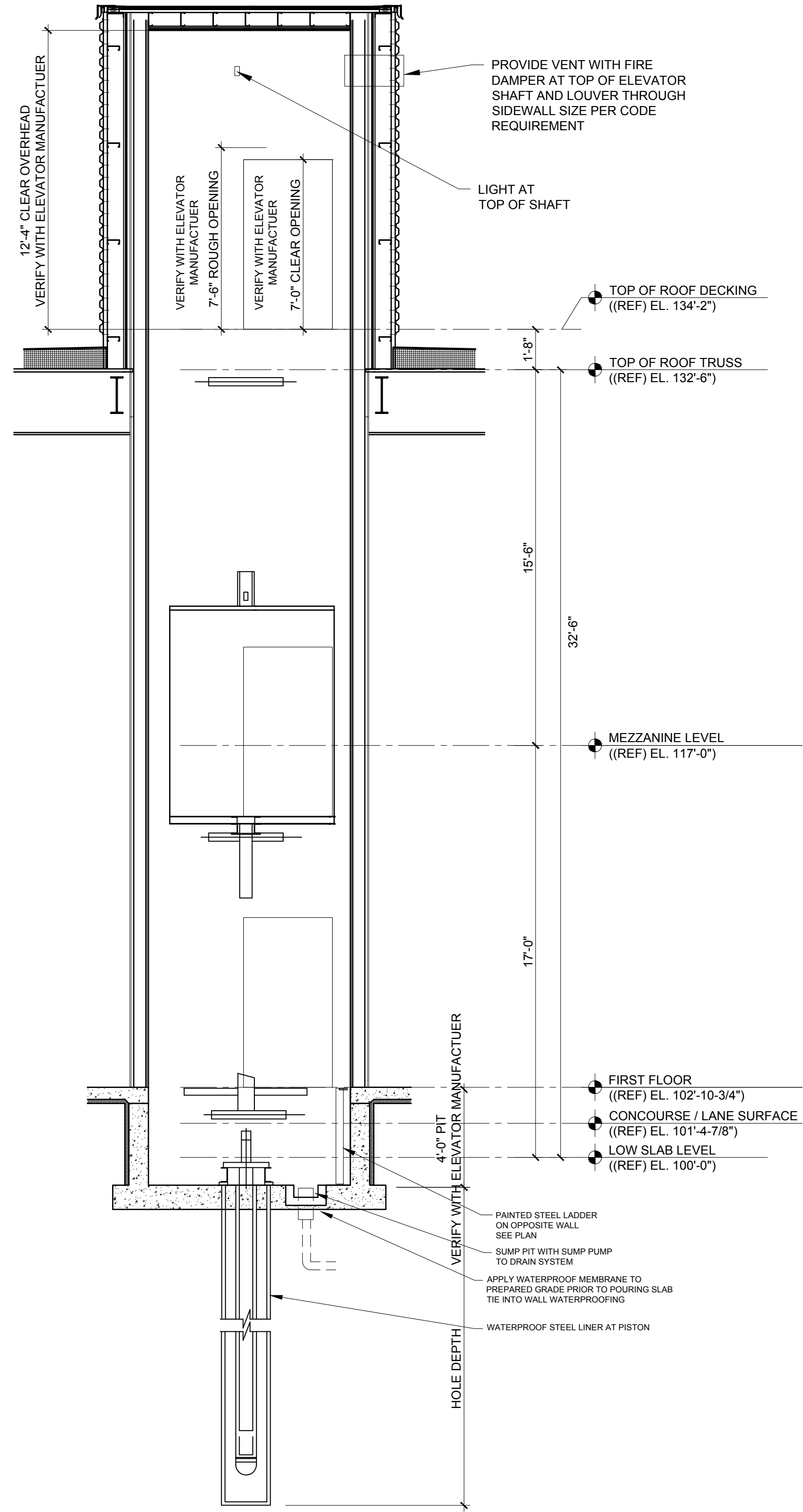
DRAWN BY: JPF / RRT / RJS

CHECKED BY: RJS

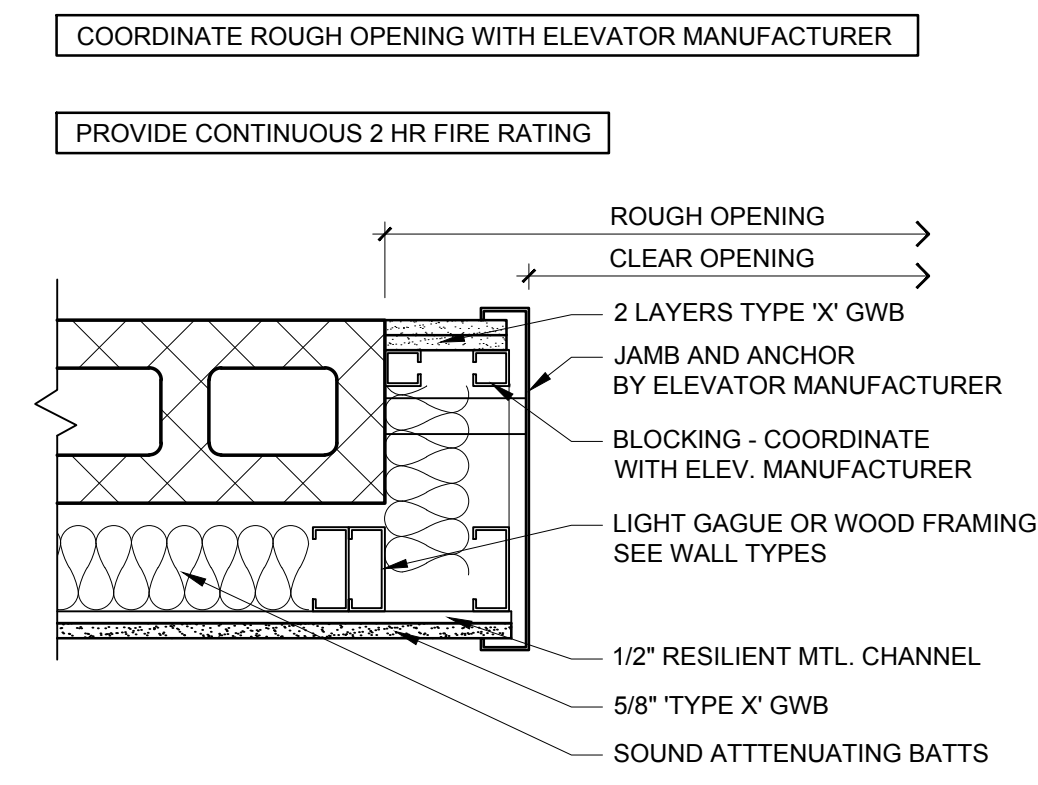
SCALE: AS NOTED

SHEET TITLE:  
**ELEVATOR DETAILS**

**A6-0**

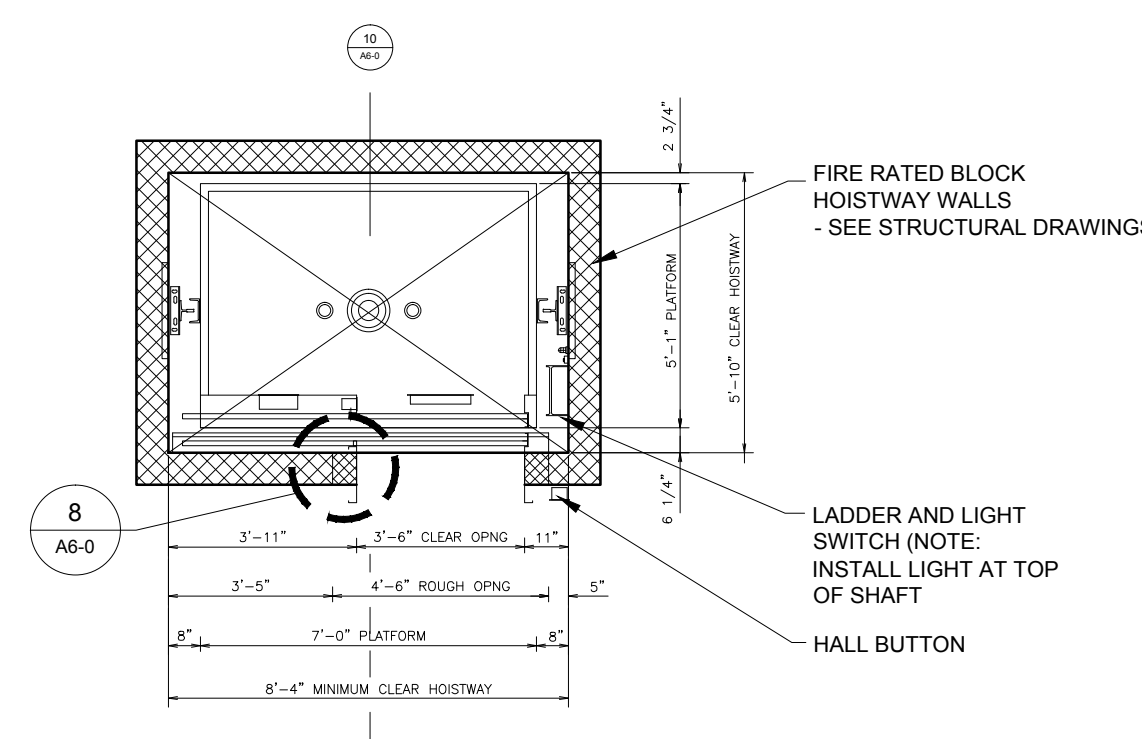


**10 ELEVATOR SECTION**  
 1/4" = 1'-0"

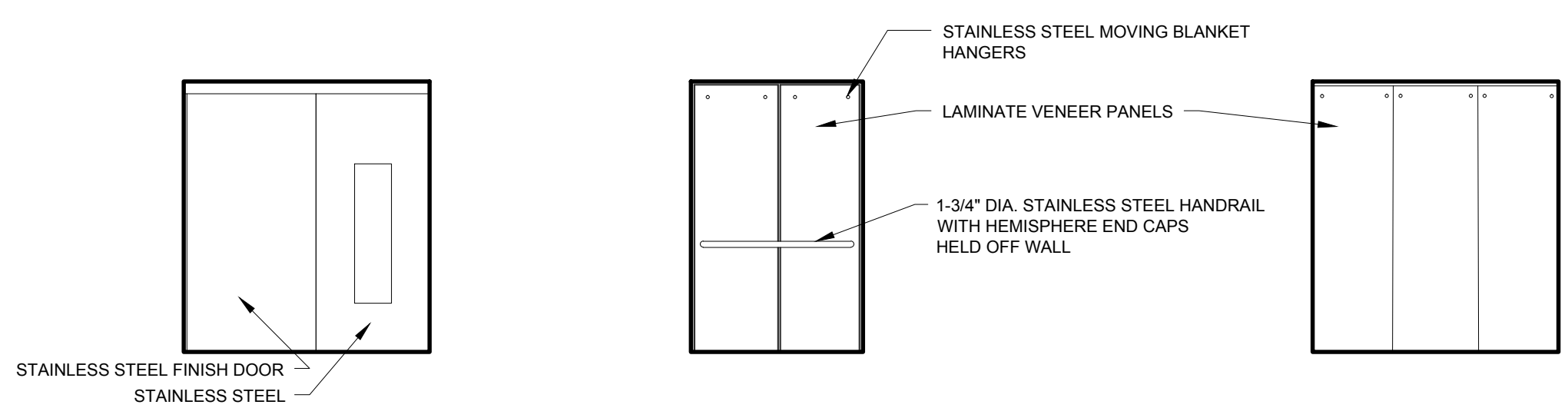


**8 TYPICAL ELEVATOR JAMB PLAN DETAIL**  
 1-1/2" = 1'-0"

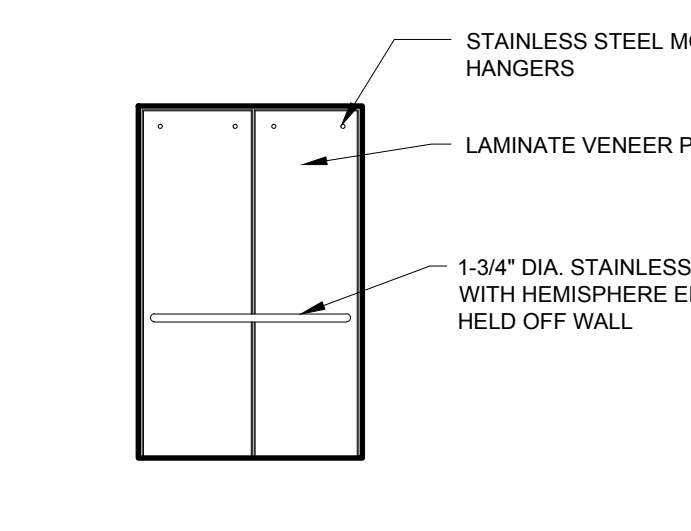
- ELEVATOR NOTES**
- LAYOUT BASED ON 2500LB HOLED HYDRAULIC ELEVATOR
  - COORDINATE BLOCKWORK WITH ELEVATOR MANUFACTURERS HOISTWAY REQUIREMENTS
  - COORDINATE ROUGH OPENINGS WITH ELEVATOR MANUFACTURERS HOISTWAY REQUIREMENTS
  - ELEVATOR MUST MEET ADA ACCESSIBILITY REQUIREMENTS



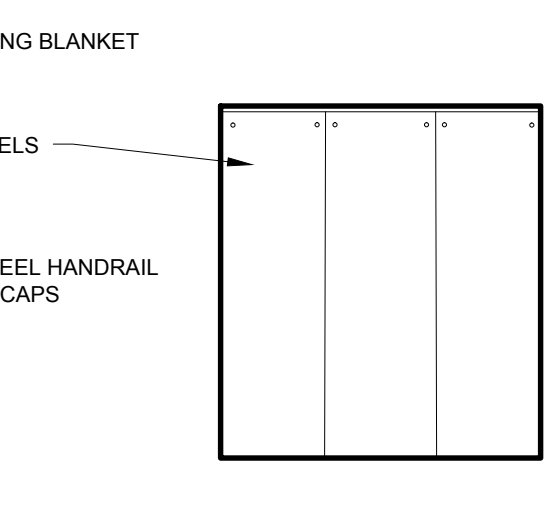
**9 ELEVATOR FLOOR PLAN**  
 1/4" = 1'-0"



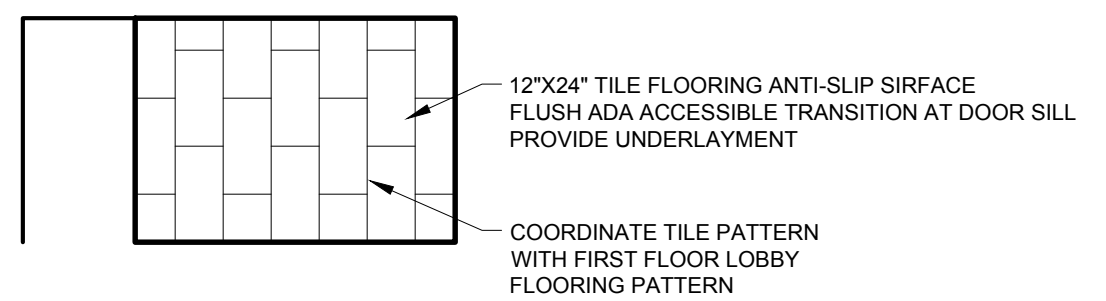
**4 FRONT CAB ELEVATION**  
 1/4" = 1'-0"



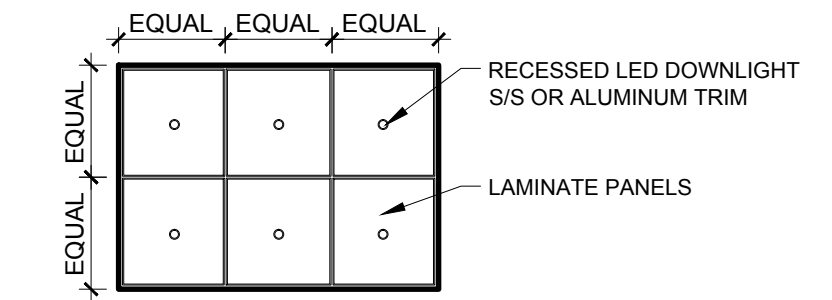
**3 SIDE CAB ELEVATION**  
 1/4" = 1'-0"



**2 REAR CAB ELEVATION**  
 1/4" = 1'-0"



**5 FLOORING PLAN**  
 1/4" = 1'-0"



**1 ELEVATOR REFLECTED CEILING PLAN**  
 1/4" = 1'-0"