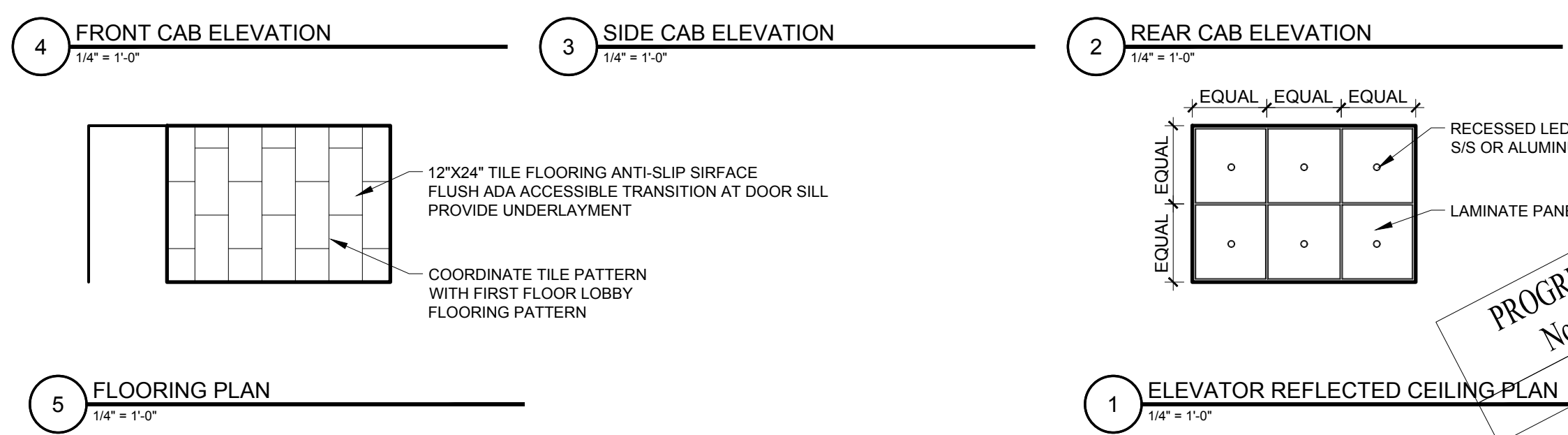
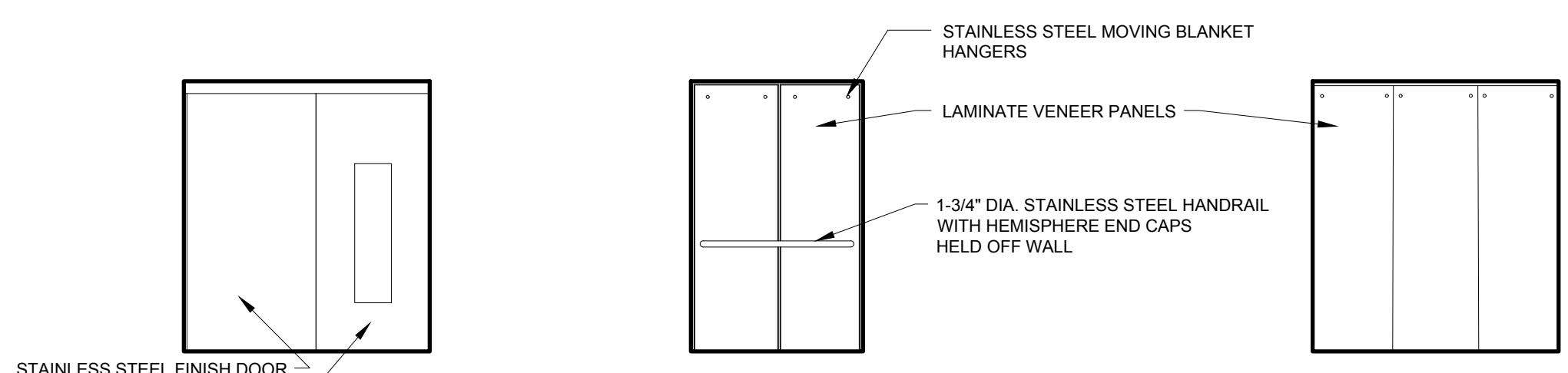
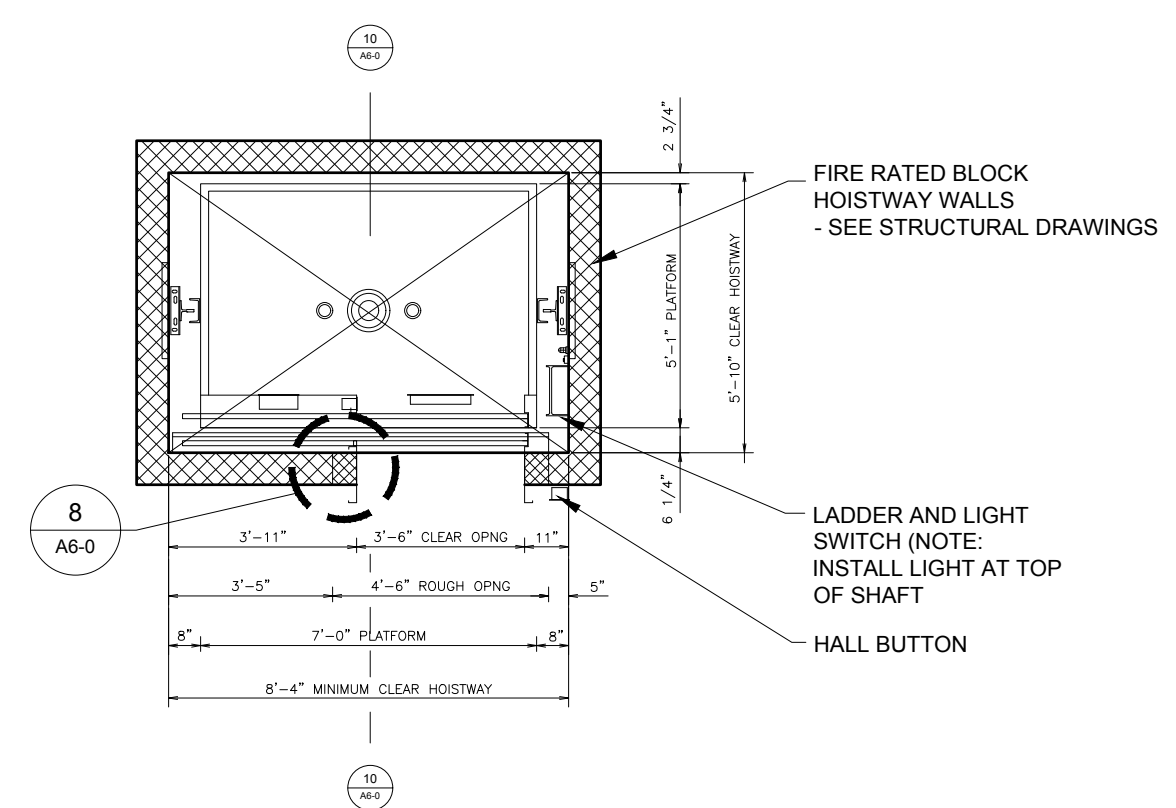


- ELEVATOR NOTES**
- LAYOUT BASED ON 2500LB HOLED HYDRAULIC ELEVATOR
 - COORDINATE BLOCKWORK WITH ELEVATOR MANUFACTURERS HOISTWAY REQUIREMENTS
 - COORDINATE ROUGH OPENINGS WITH ELEVATOR MANUFACTURERS HOISTWAY REQUIREMENTS
 - ELEVATOR MUST MEET ADA ACCESSIBILITY REQUIREMENTS



PROGRESS PRINT ONLY
 Not for Construction
 JUNE 09, 2015

ADDITION TO BAYSIDE BOWL
 ALDER STREET
 PORTLAND, MAINE

RSA
 RYAN SENATORE
 ARCHITECTURE
 565 CONGRESS STREET
 PORTLAND, MAINE 04101
 207-656-6414
 senatorearchitecture.com

CONSULTANTS:
 STRUCTURAL: Structural Integrity
 77 Oak Street
 Portland, ME 04101
 207-774-4814

REVISIONS:

DATE: JUNE 09, 2015

PROJECT No. 1452

DRAWN BY: JPF / RRT / RJS

CHECKED BY: RJS

SCALE: AS NOTED

SHEET TITLE:
 ELEVATOR
 DETAILS

A6-0