

ADDITION TO BAYSIDE BOWL
ALDER STREET
 PORTLAND, MAINE



RYAN SENATORE ARCHITECTURE
 565 CONGRESS STREET
 PORTLAND, MAINE 04101
 207-656-6414
 senatorearchitecture.com

CONSULTANTS:
STRUCTURAL:
 Structural Integrity
 77 Oak Street
 Portland, ME 04101
 207-774-4814

REVISIONS:

DATE: JUNE 09, 2015

PROJECT No. 1452

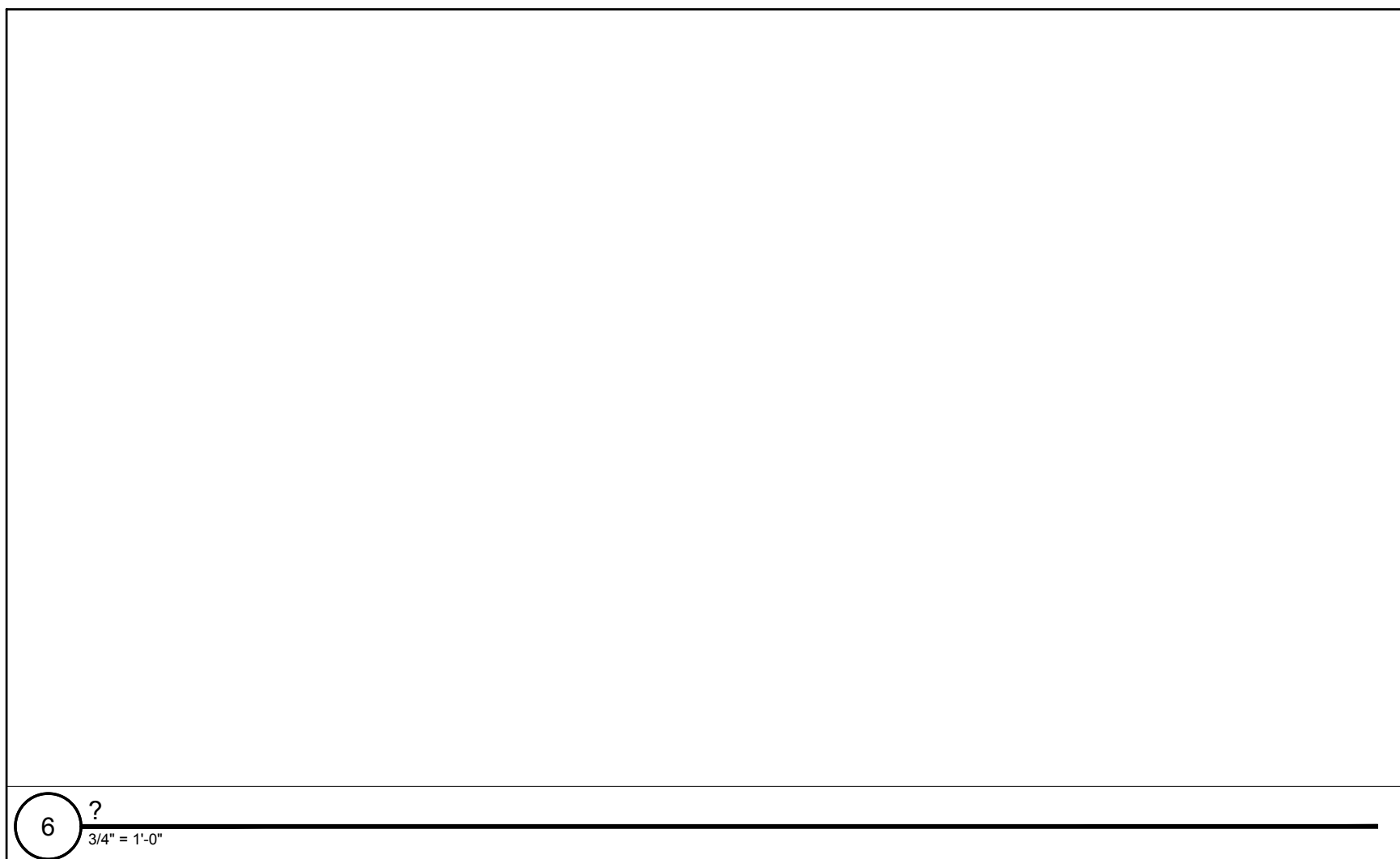
DRAWN BY: JPF / RRT / RJS

CHECKED BY: RJS

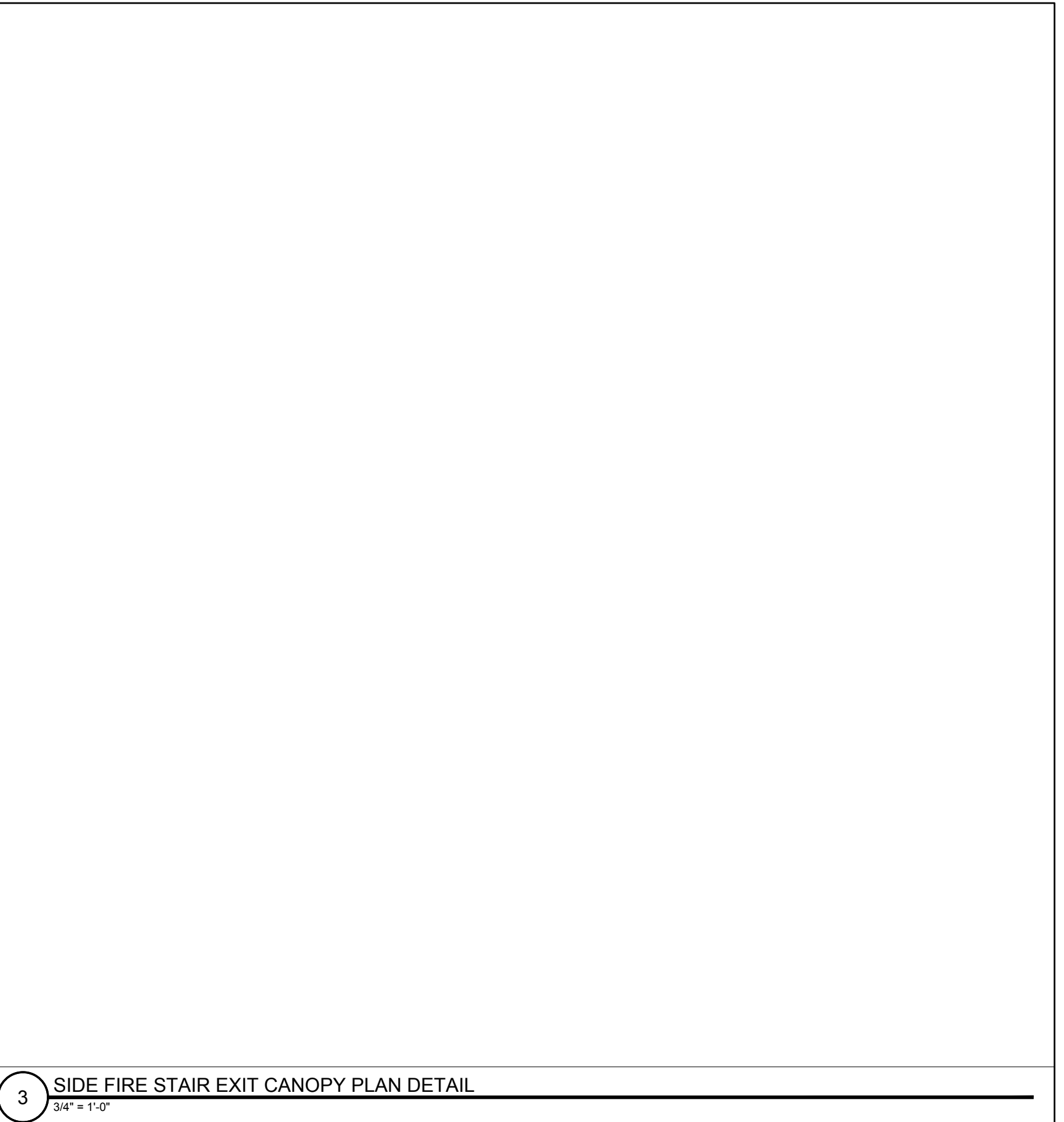
SCALE: AS NOTED

SHEET TITLE:
DETAILS

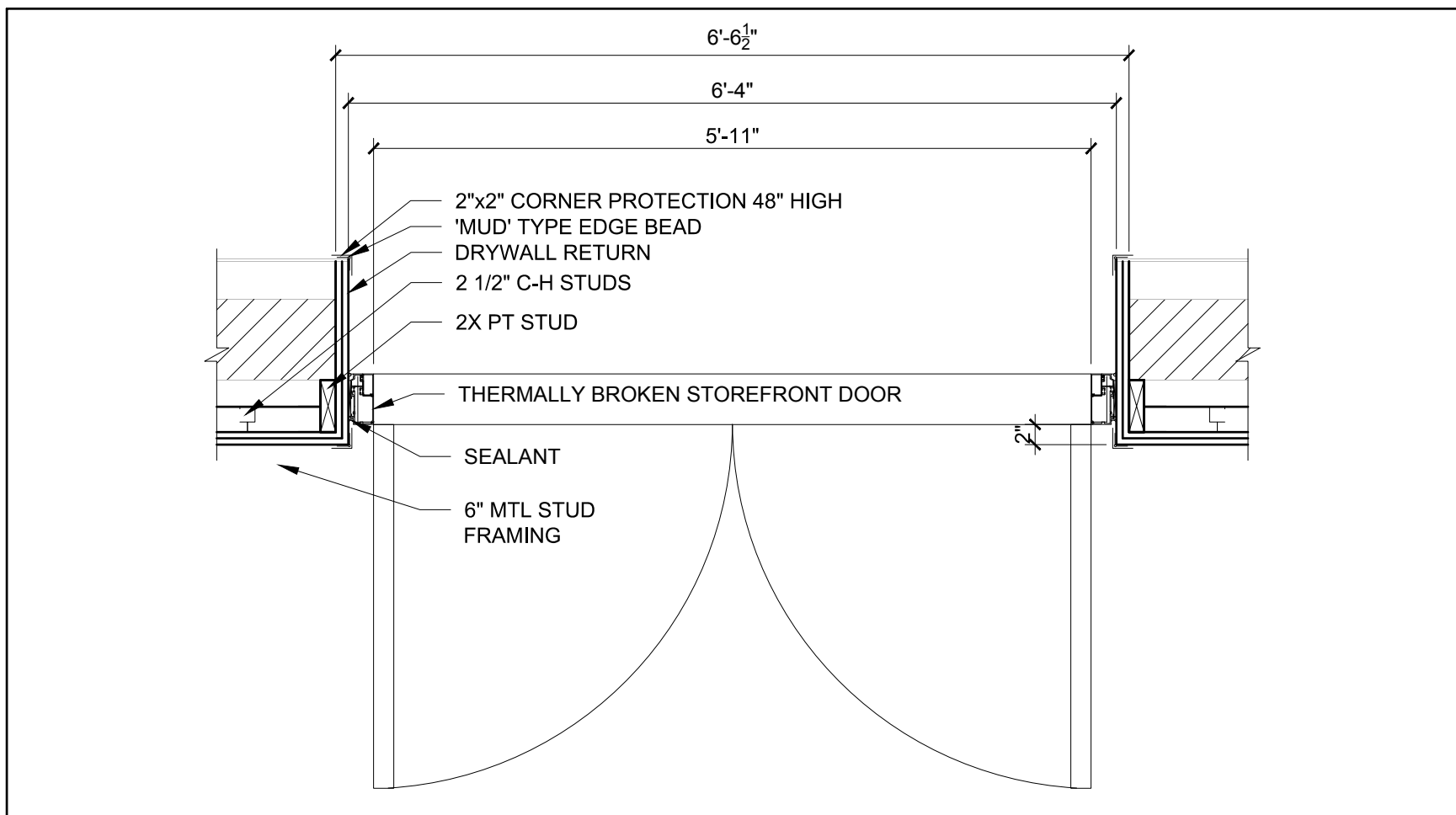
A5-4



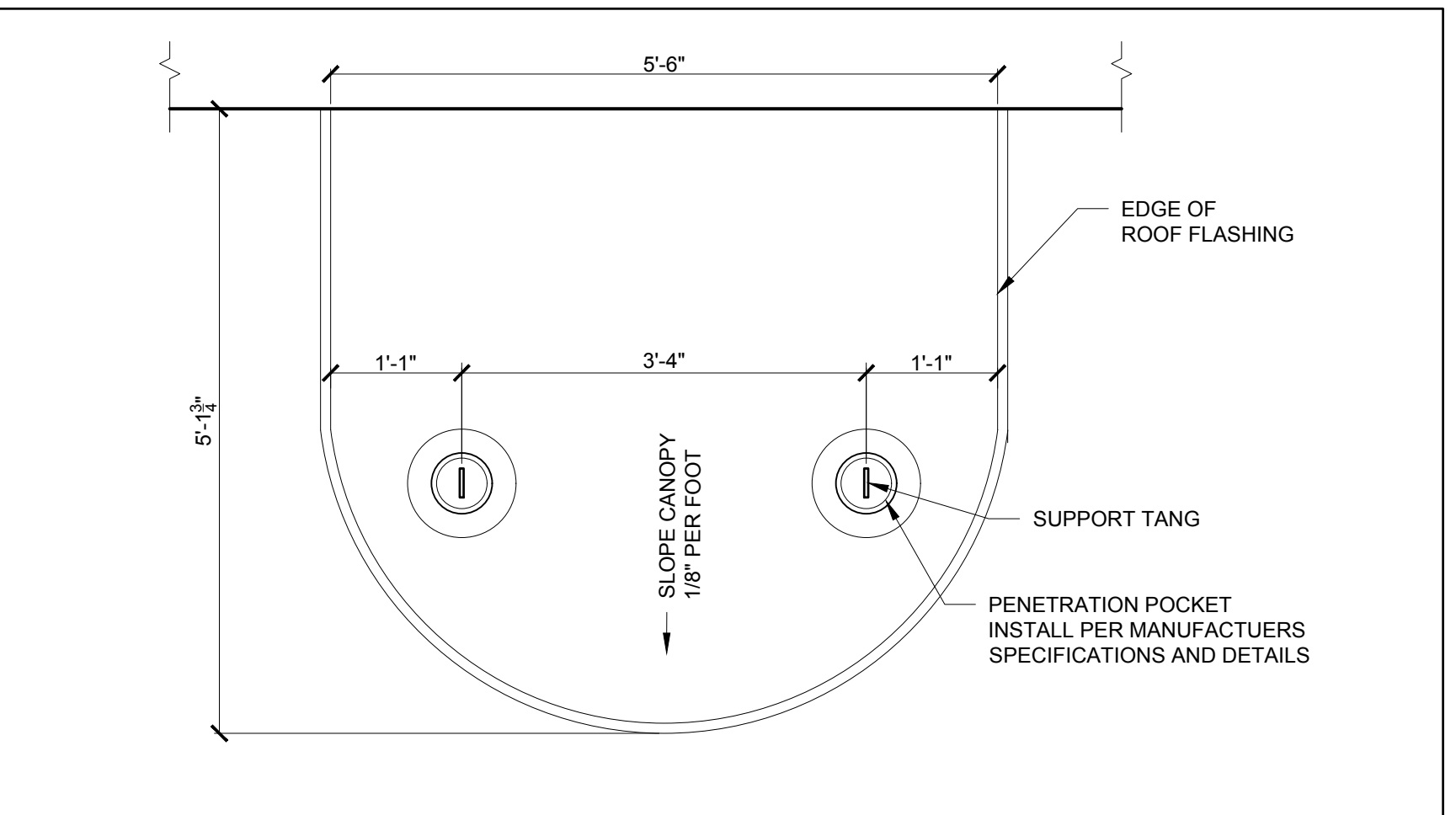
6
 3/4" = 1'-0"



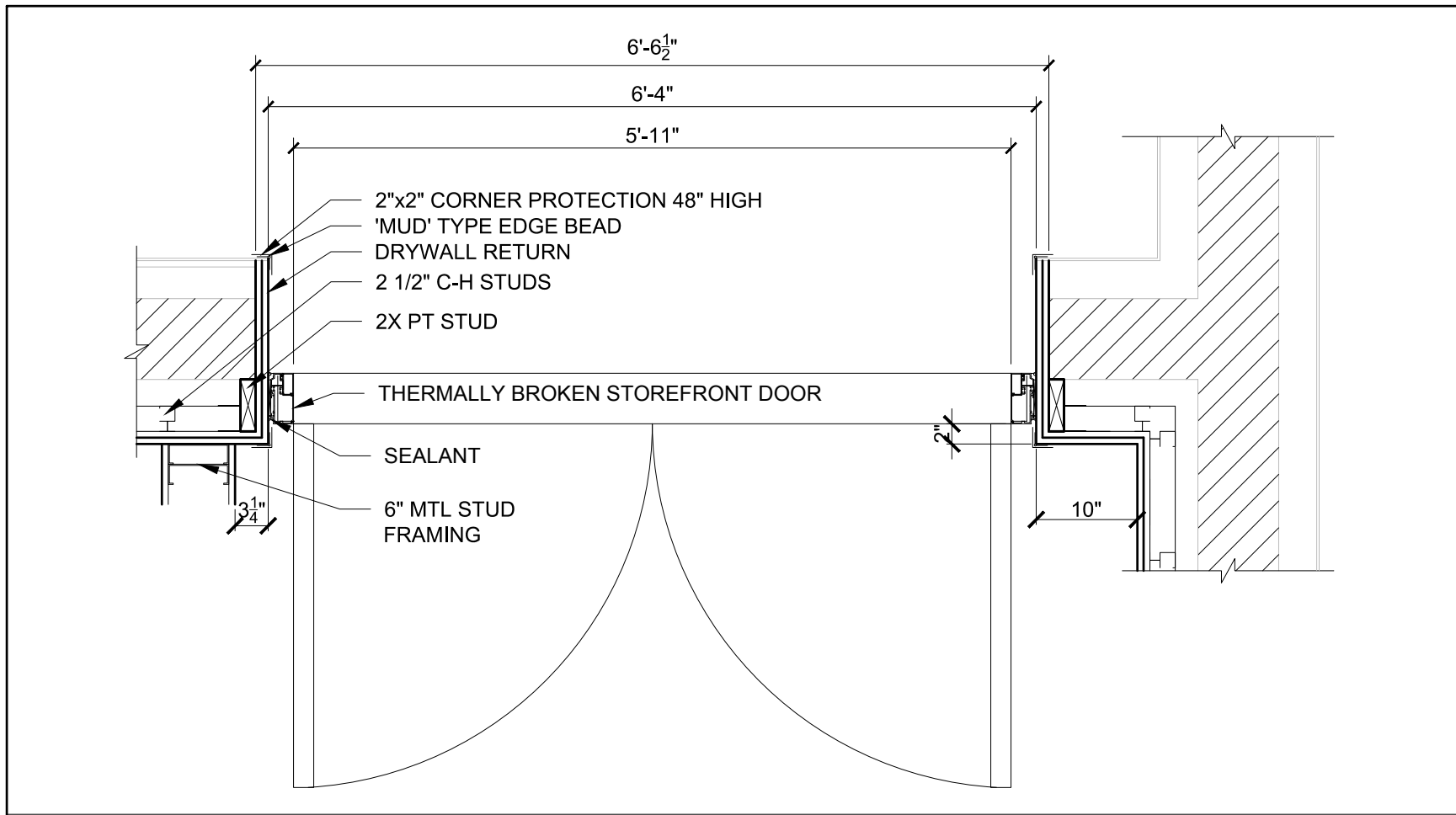
3
 3/4" = 1'-0" SIDE FIRE STAIR EXIT CANOPY PLAN DETAIL



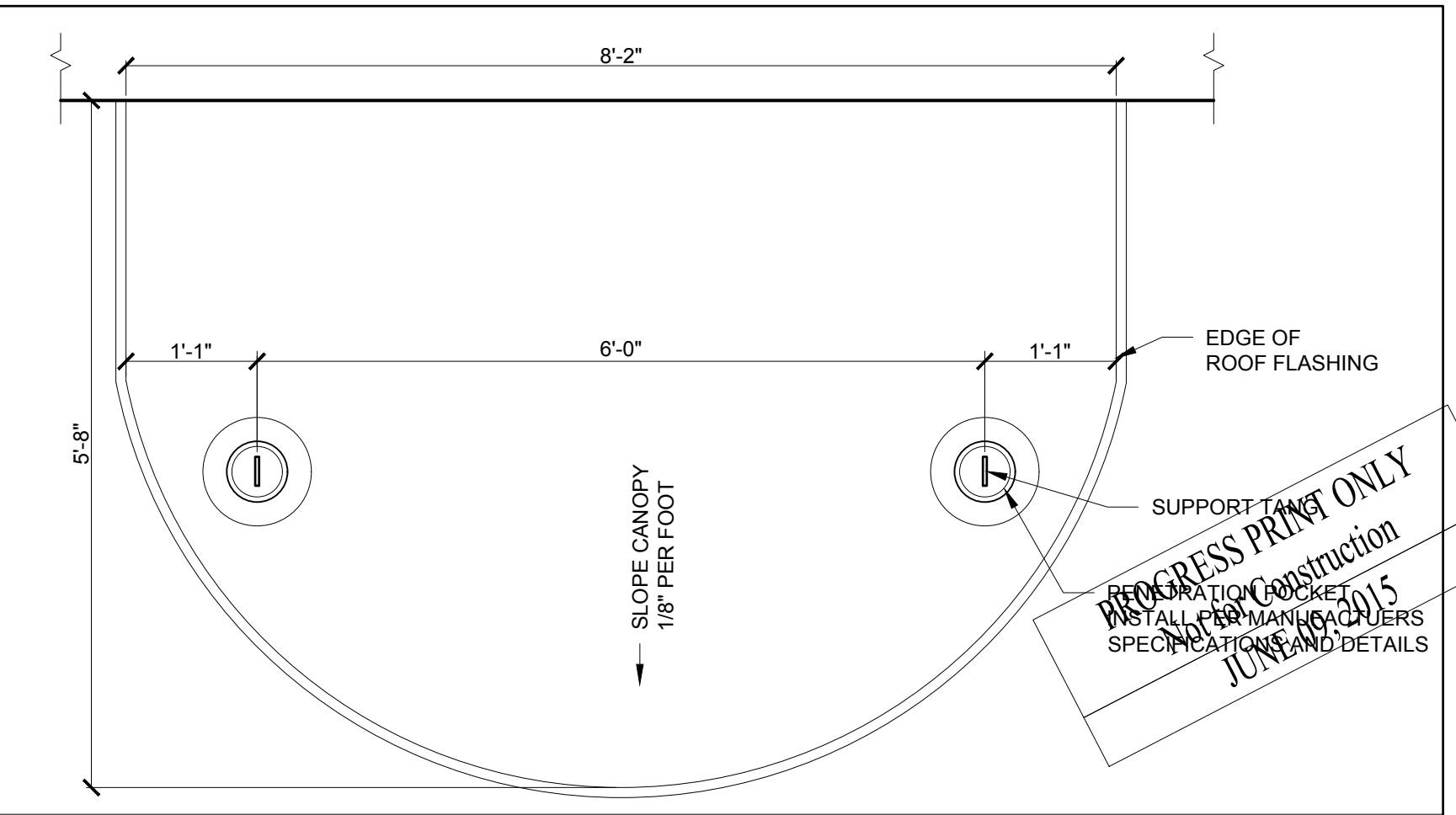
5
 3/4" = 1'-0" NEW TO EXISTING DOOR WAY PLAN DETAIL



2
 3/4" = 1'-0" SIDE FIRE STAIR EXIT CANOPY PLAN DETAIL



4
 3/4" = 1'-0" NEW TO EXISTING DOOR WAY PLAN DETAIL



1
 3/4" = 1'-0" SIDE ENTRY CANOPY PLAN DETAIL