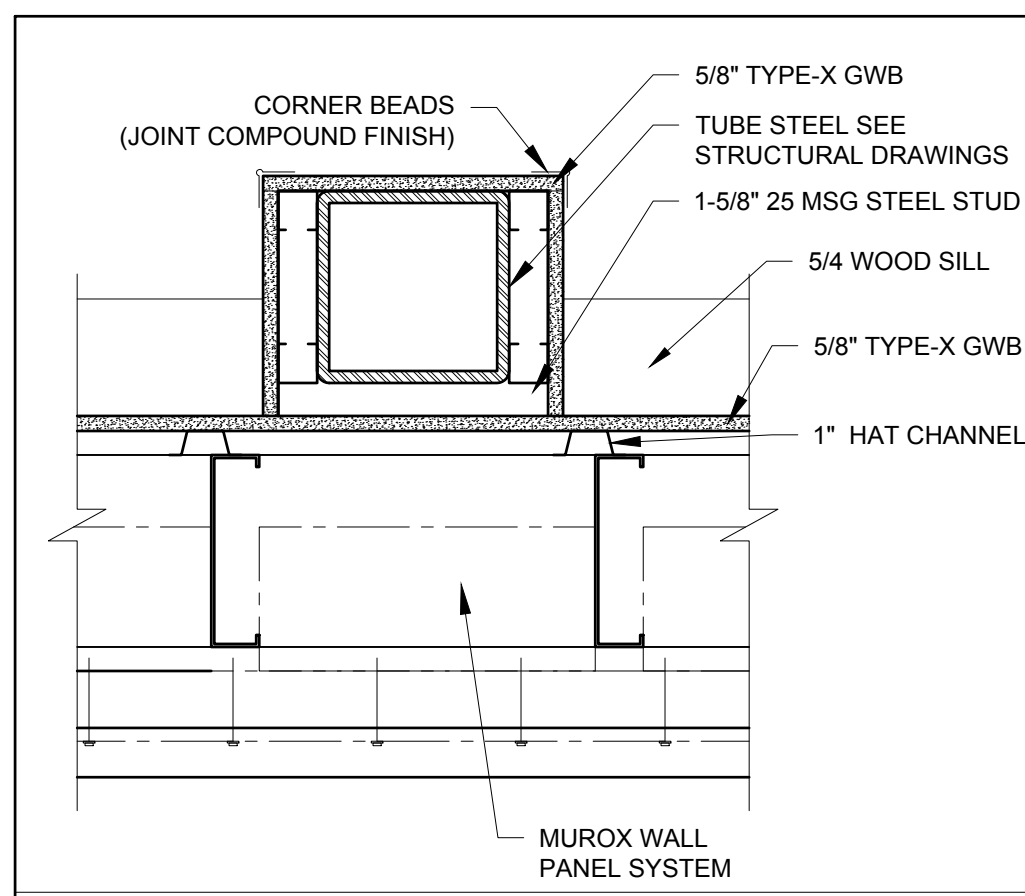


13 ?
1-1/2" = 1'-0"

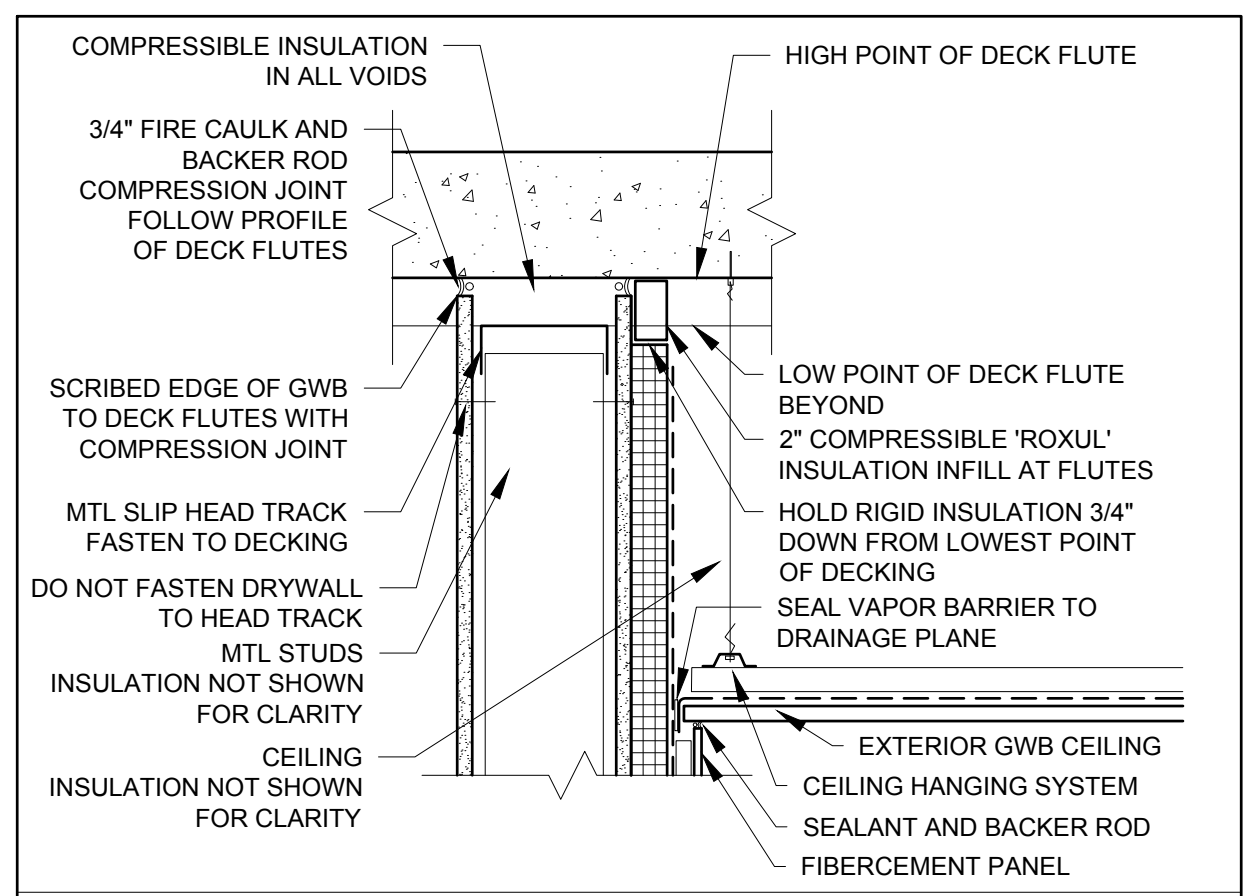
12 ?
1-1/2" = 1'-0"

11
1-1/2" = 1'-0"

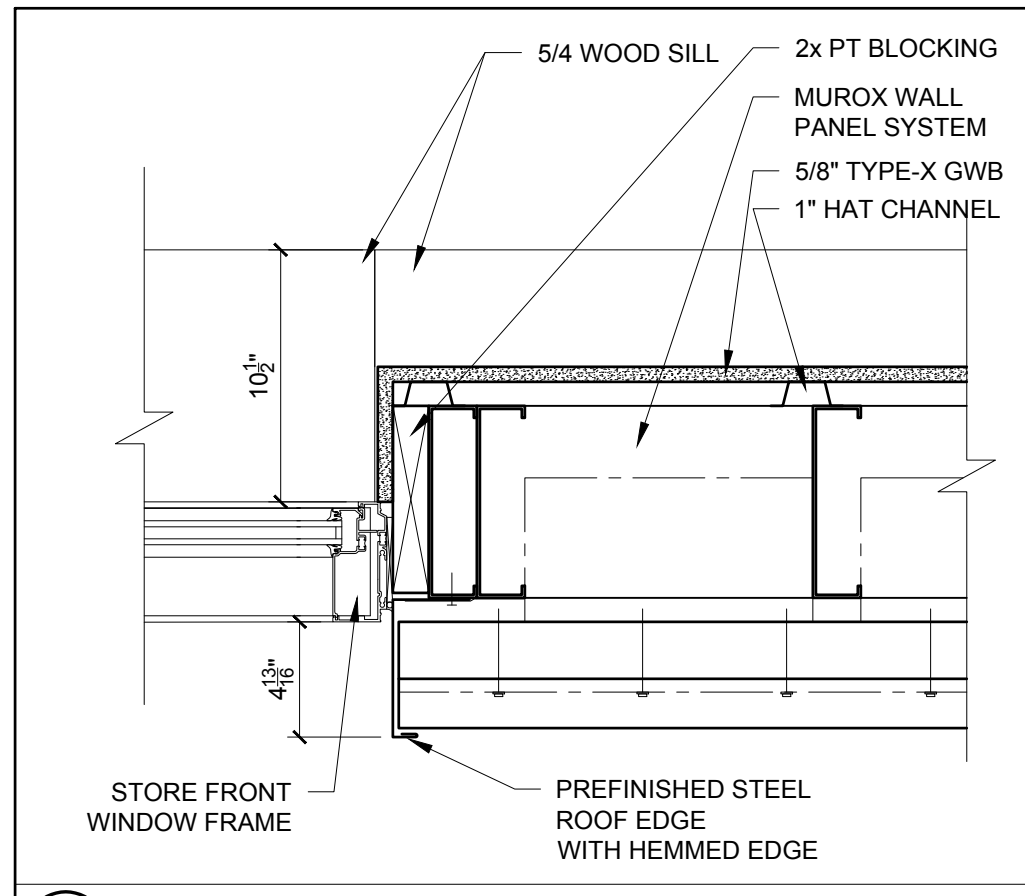
9 ?
1-1/2" = 1'-0"



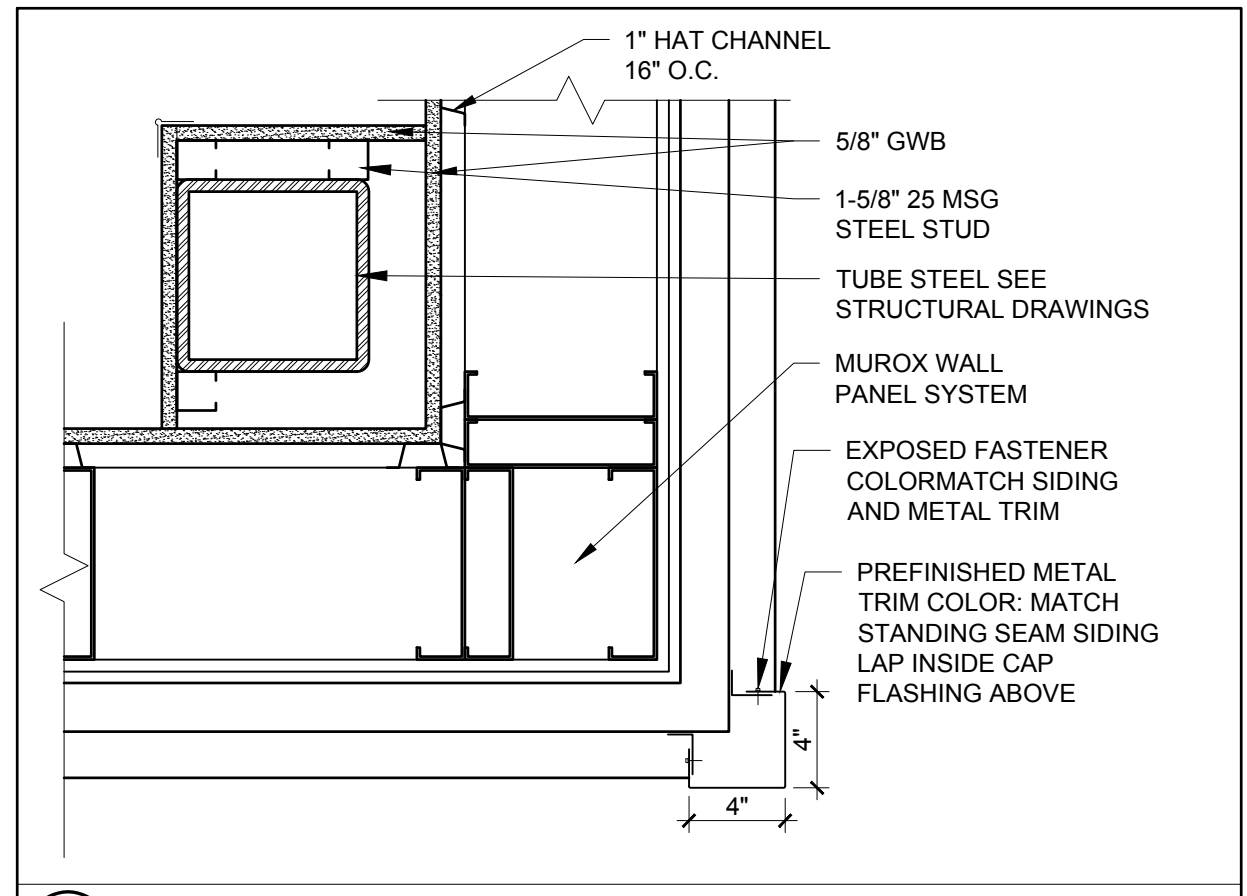
8
1-1/2" = 1'-0"



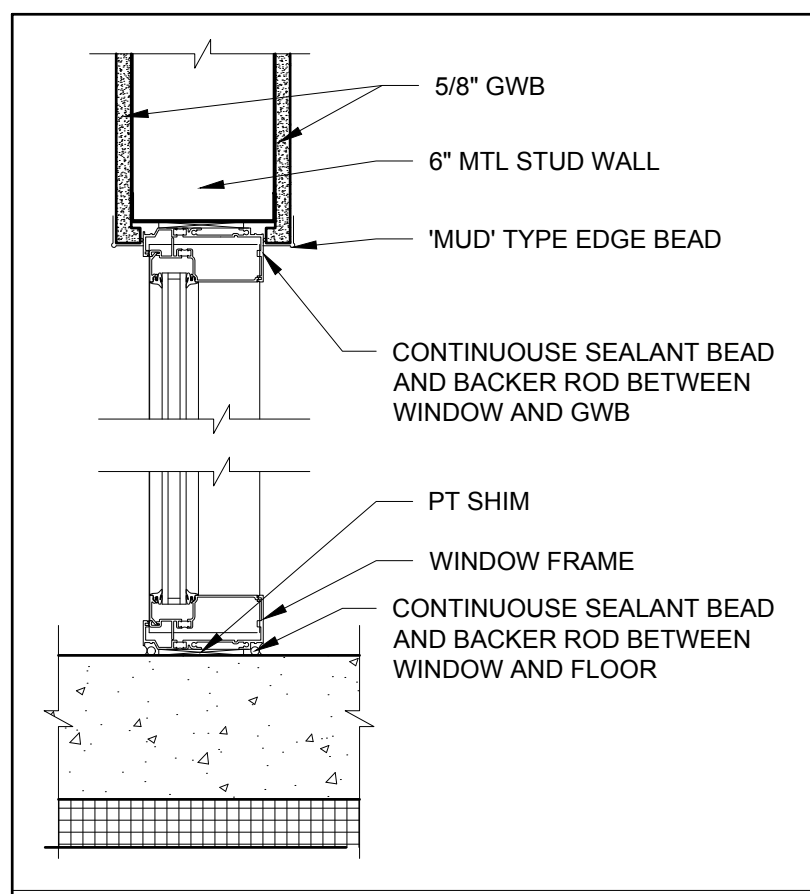
4
1-1/2" = 1'-0"



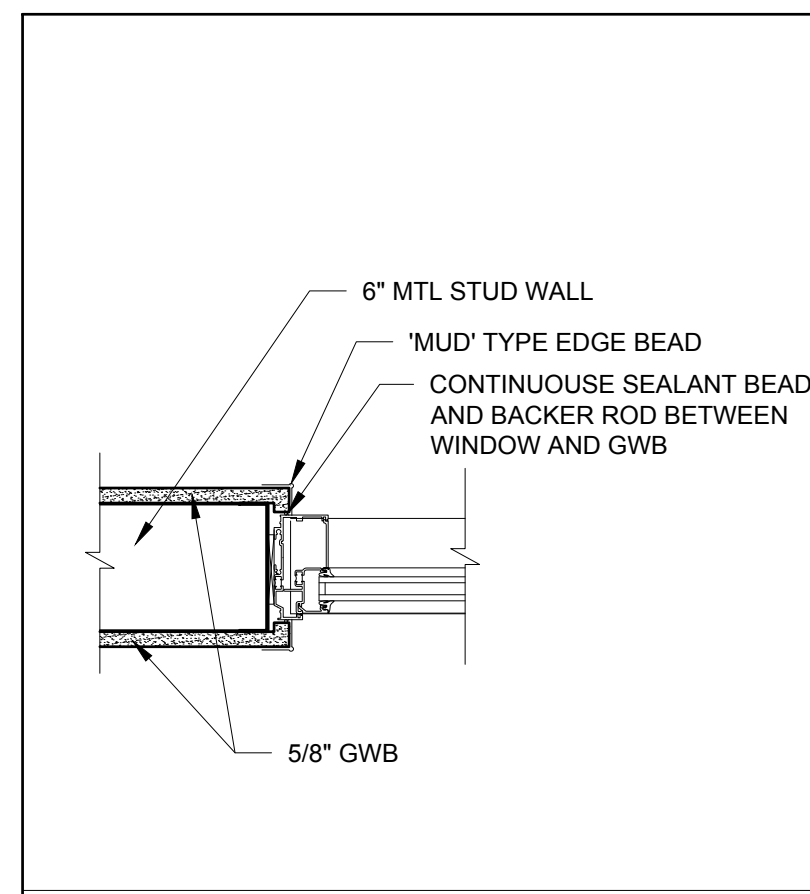
7
1-1/2" = 1'-0"



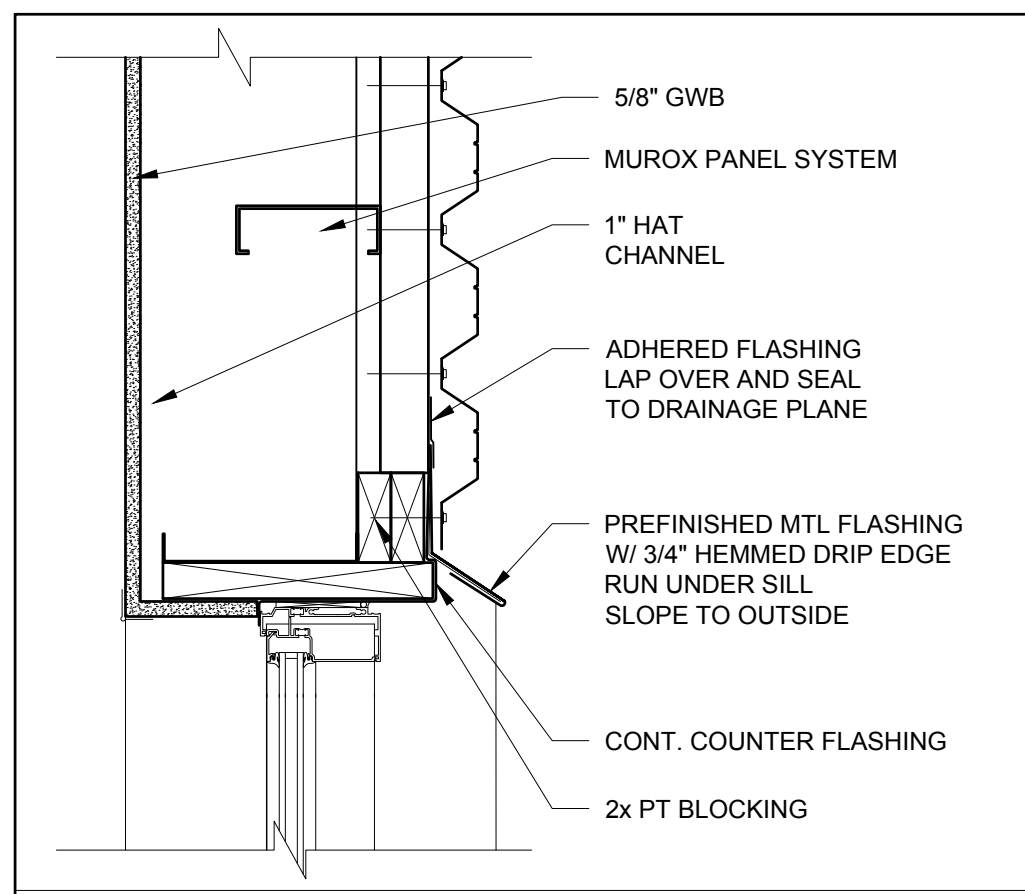
3
1-1/2" = 1'-0"



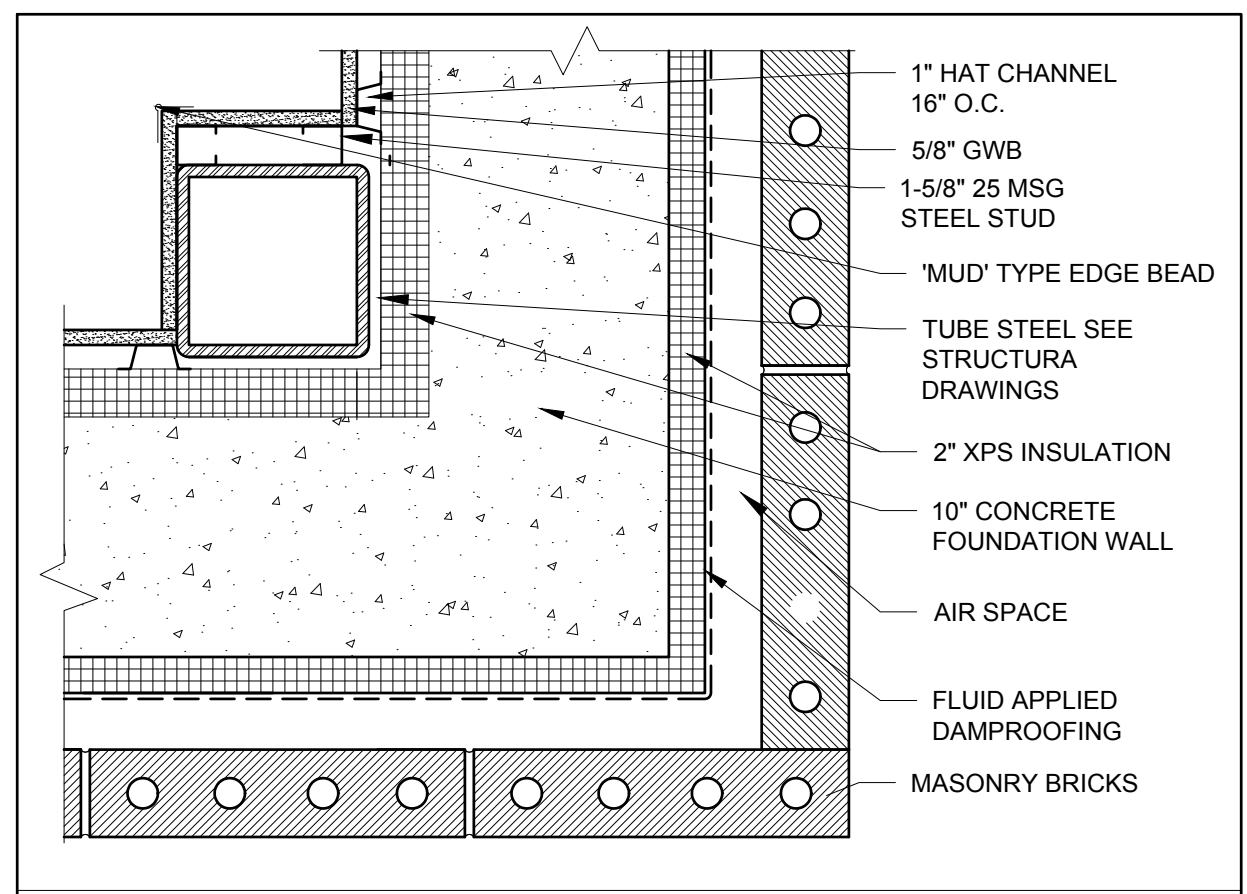
11
1-1/2" = 1'-0"



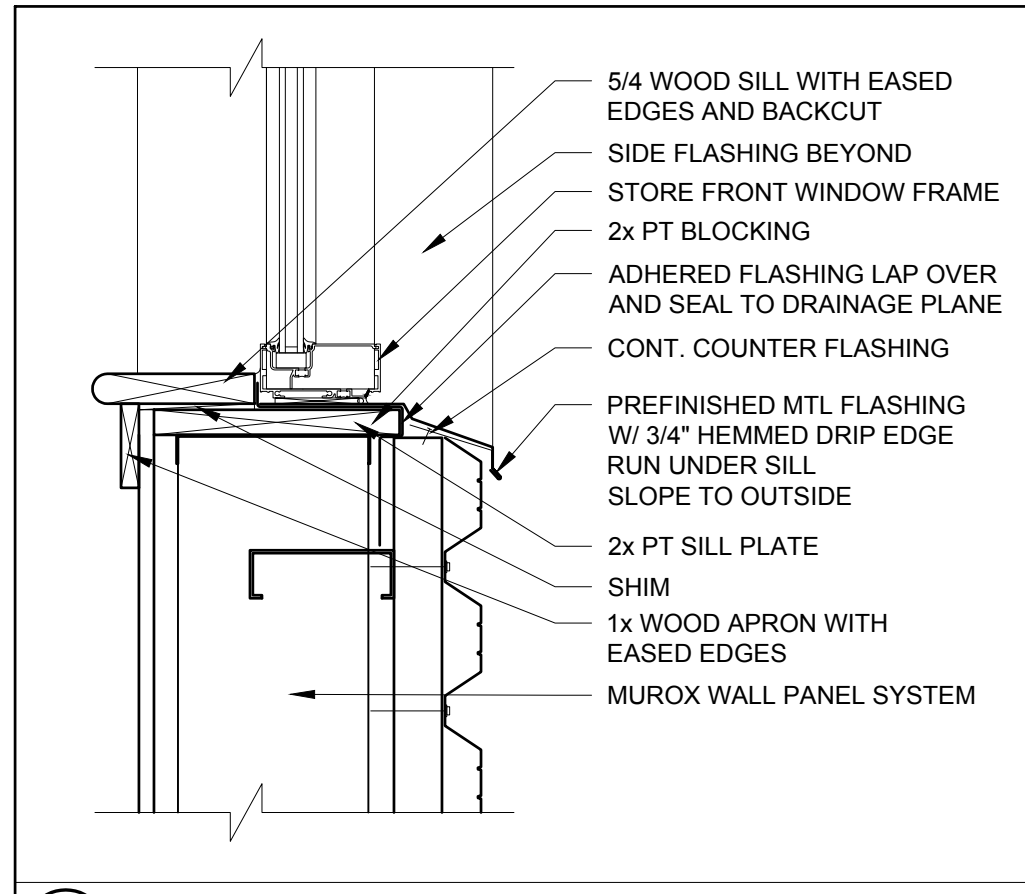
10
1-1/2" = 1'-0"



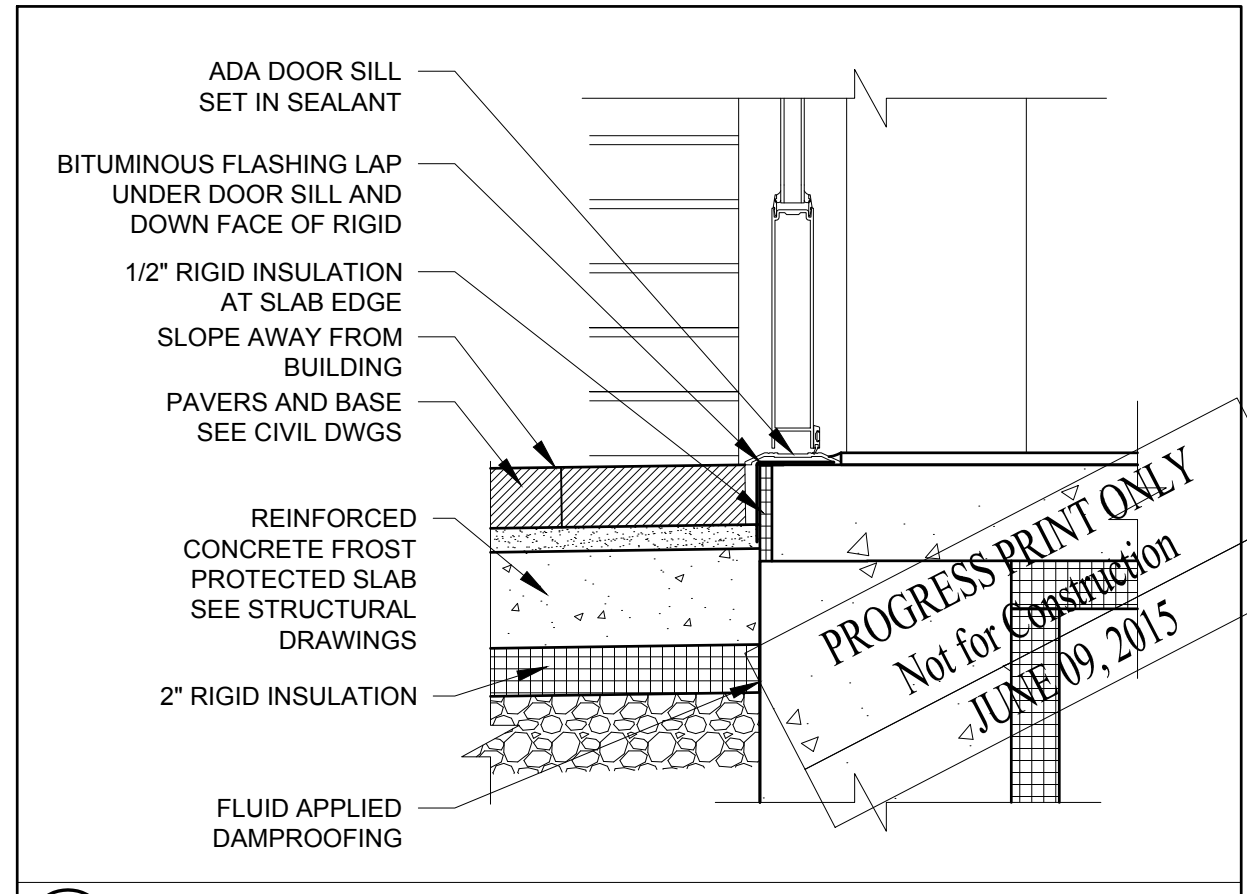
6
1-1/2" = 1'-0"



2
1-1/2" = 1'-0"



5
1-1/2" = 1'-0"



1
1-1/2" = 1'-0"

© 2015 RYAN SENATORE ARCHITECTURE

ADDITION TO BAYSIDE BOWL
 ALDER STREET
 PORTLAND, MAINE



RYAN SENATORE ARCHITECTURE
 565 CONGRESS STREET
 PORTLAND, MAINE 04101
 207-656-6414
 senatorearchitecture.com

CONSULTANTS:
 STRUCTURAL: Structural Integrity 77 Oak Street Portland, ME 04101 207-774-4814

REVISIONS:

DATE: JUNE 09, 2015
 PROJECT No. 1452
 DRAWN BY: JPF / RRT / RJS
 CHECKED BY: RJS
 SCALE: AS NOTED

SHEET TITLE: DETAILS

PROGRESS PRINT ONLY
 Not for Construction
 -JUNE 09, 2015

A5-3