

Dec 07, 2009

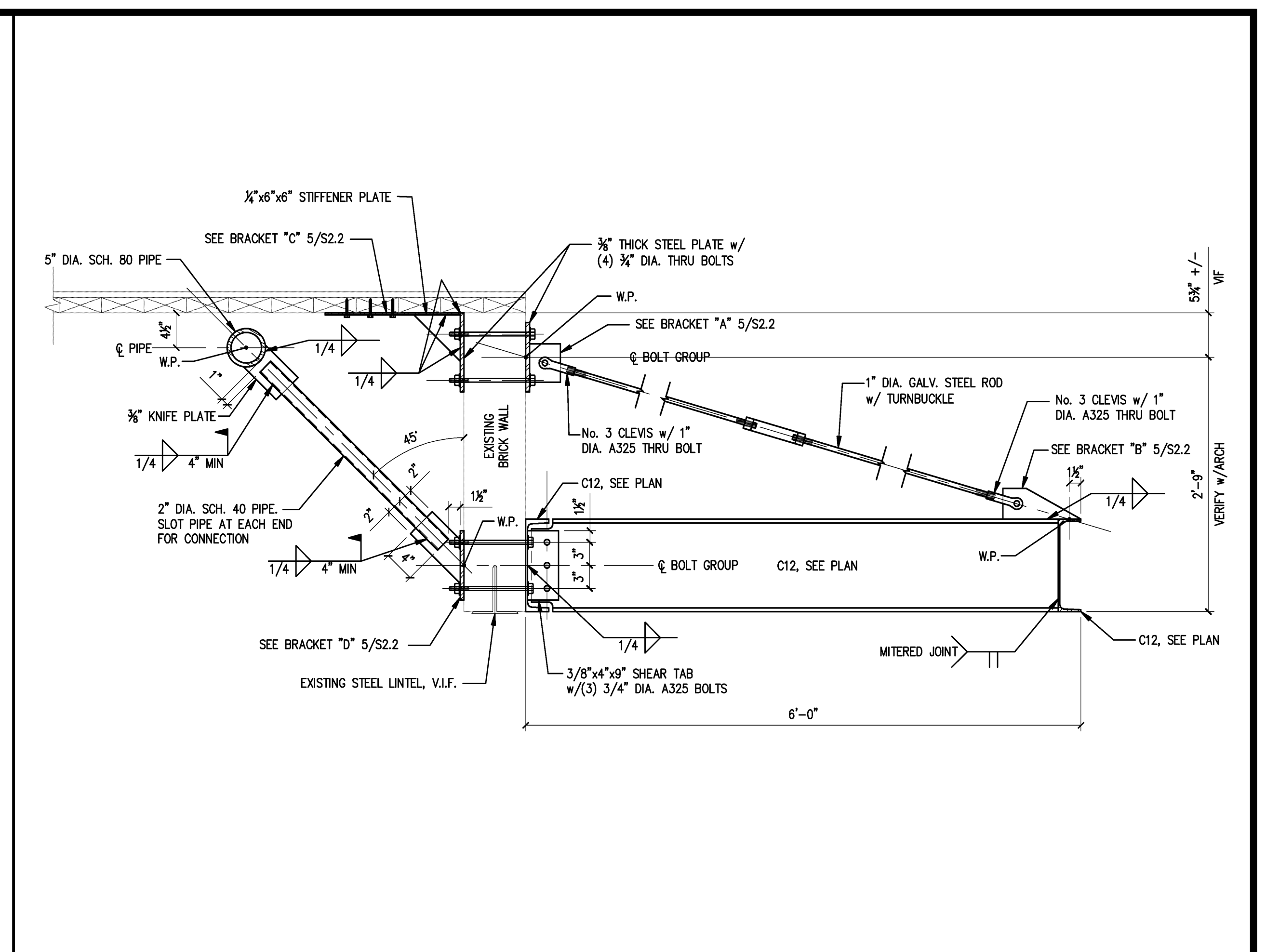
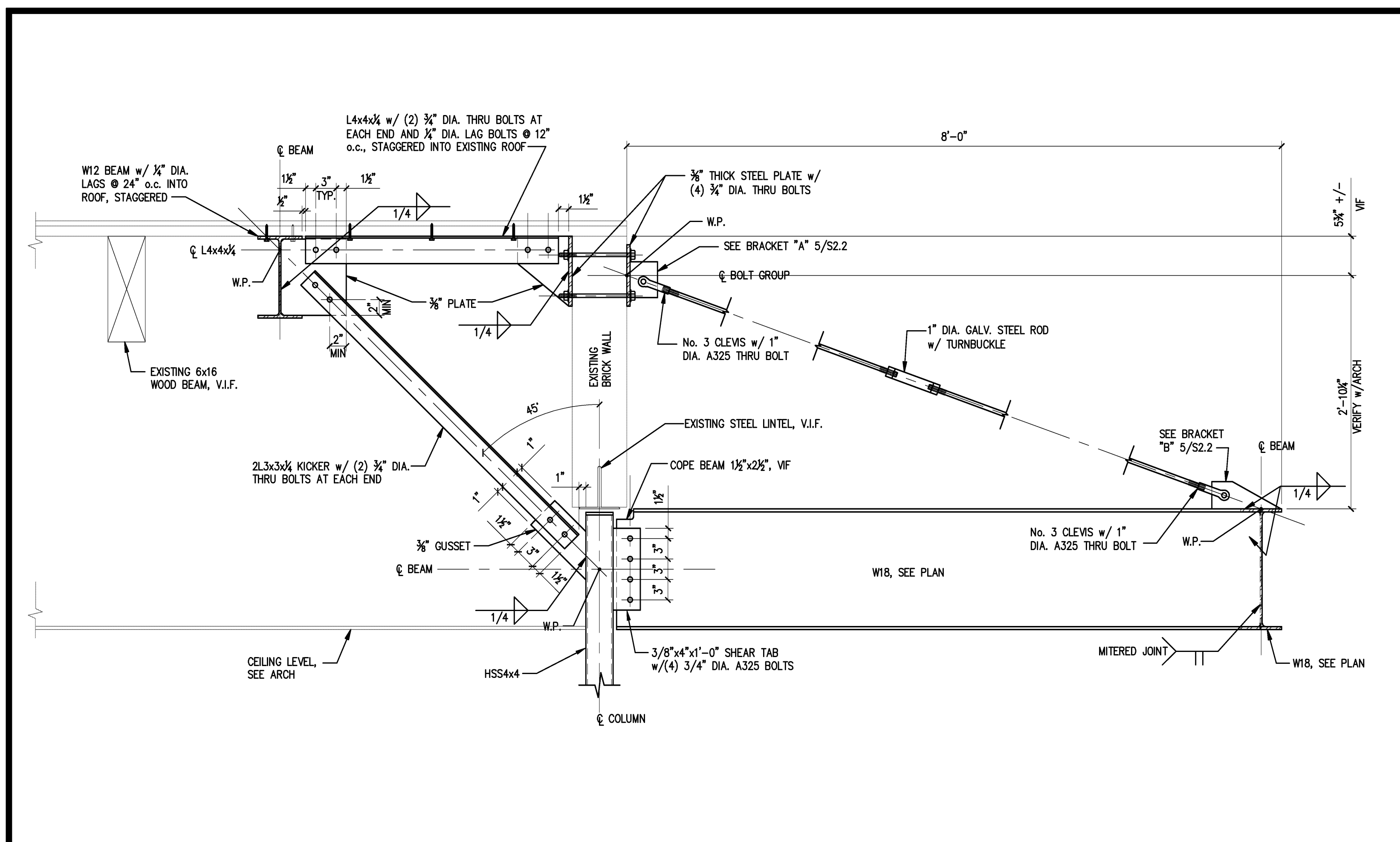
*Carolyn C. Bird, P.E.*

NO.	DATE	ISSUE	ISSUED FOR
1	02-24-09		

SHEET TITLE:  
**STRUCTURAL DETAILS**

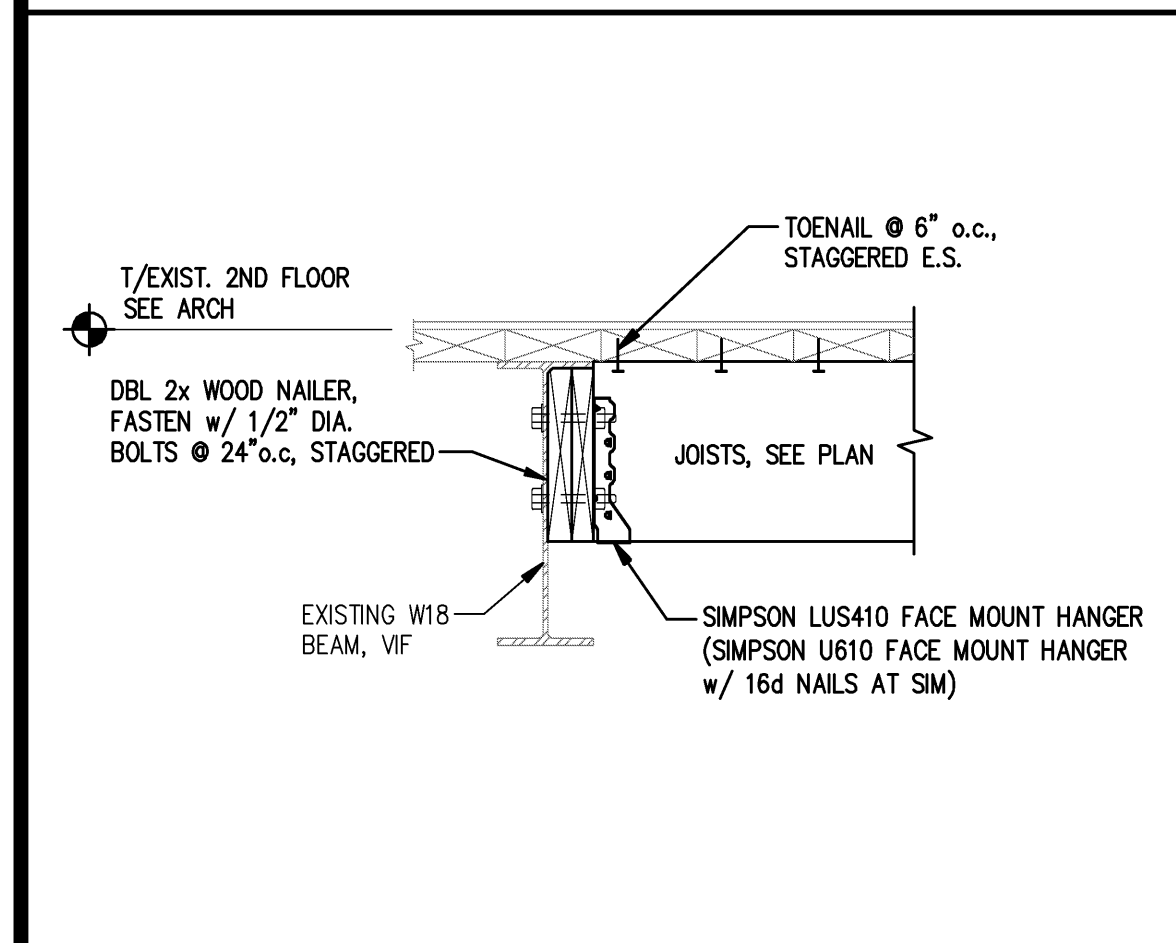
DESIGNED: TD  
 DRAWN: TD  
 DATE: 10-30-09  
 CADD FILE: 9065-S1.dwg  
 PROJECT NUMBER: 9065

**S2.2**

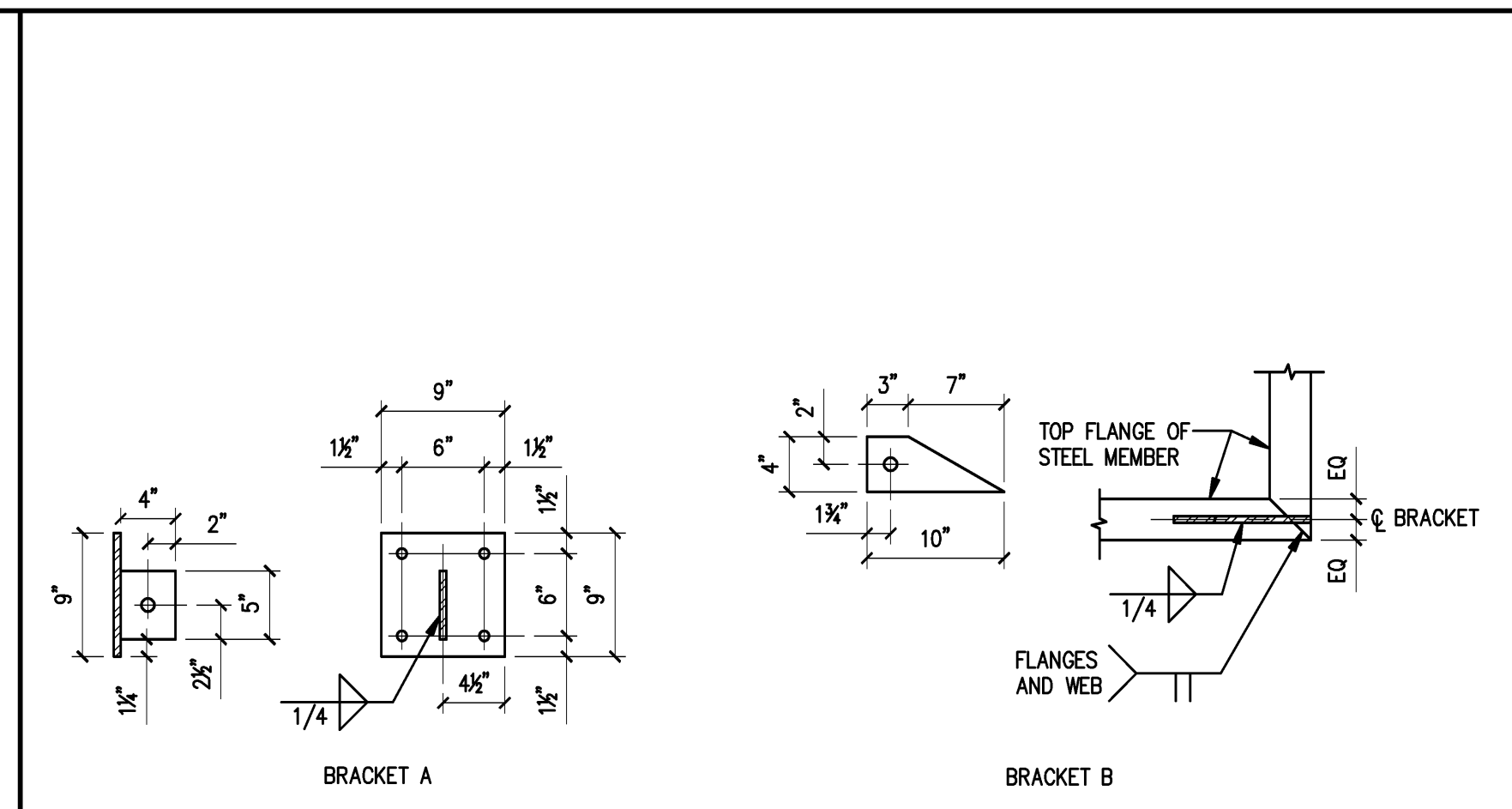


**ALTERNATE 1 - ADA CANOPY** SCALE: 1"=1'-0" 1

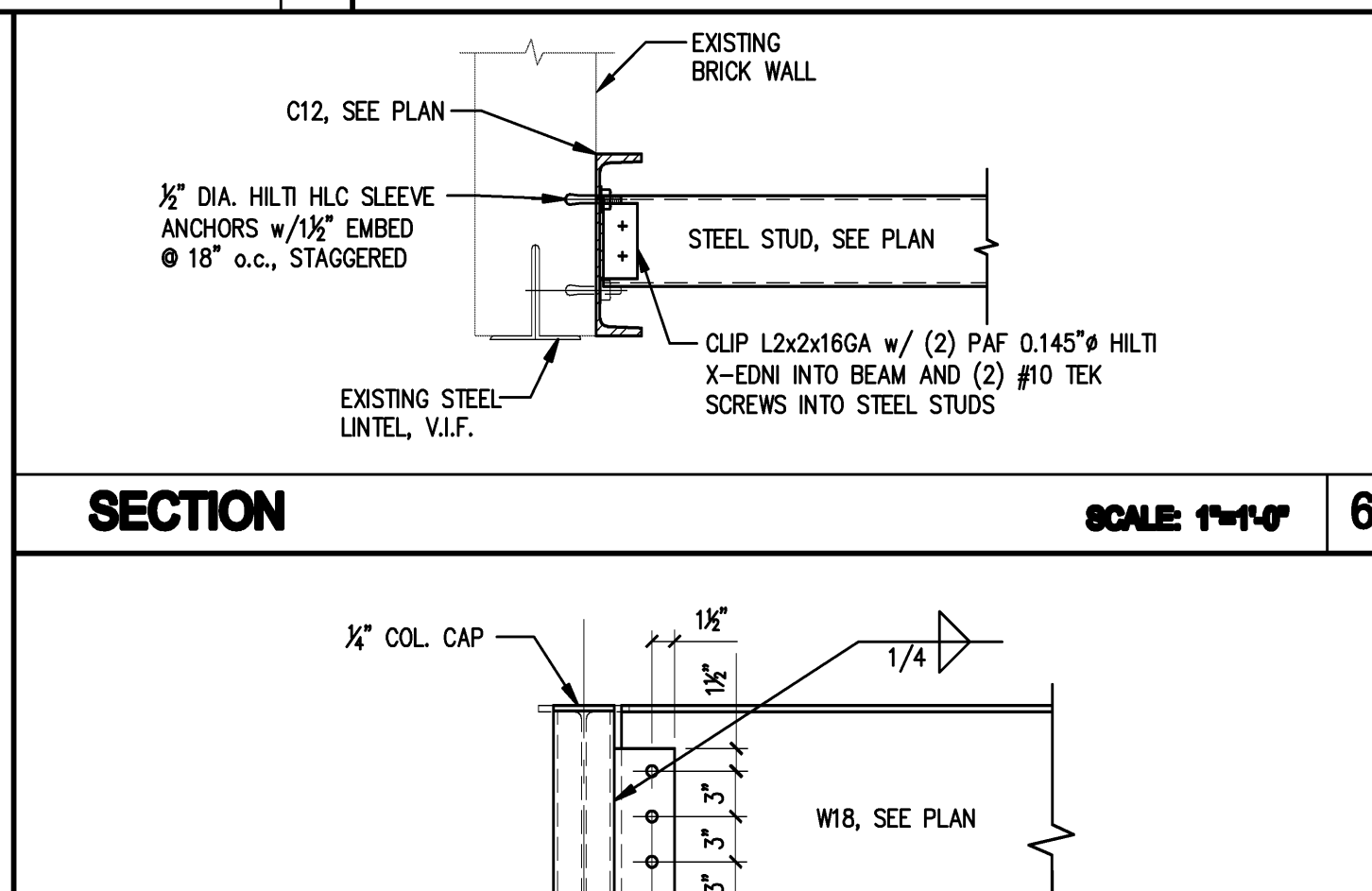
**ALTERNATE 2 - ENTRANCE CANOPY** SCALE: 1"=1'-0" 2



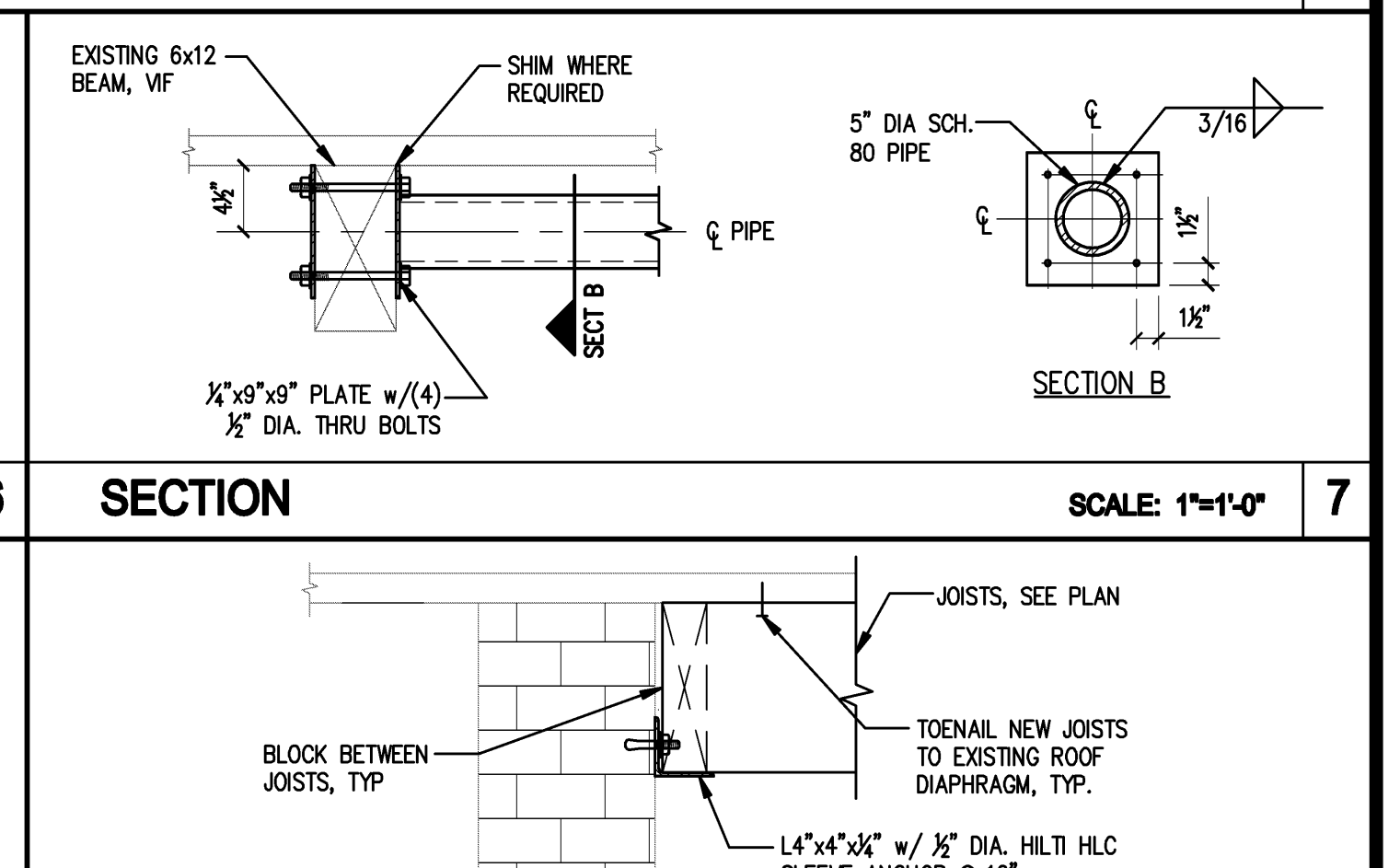
**SECTION** SCALE: 1"=1'-0" 3



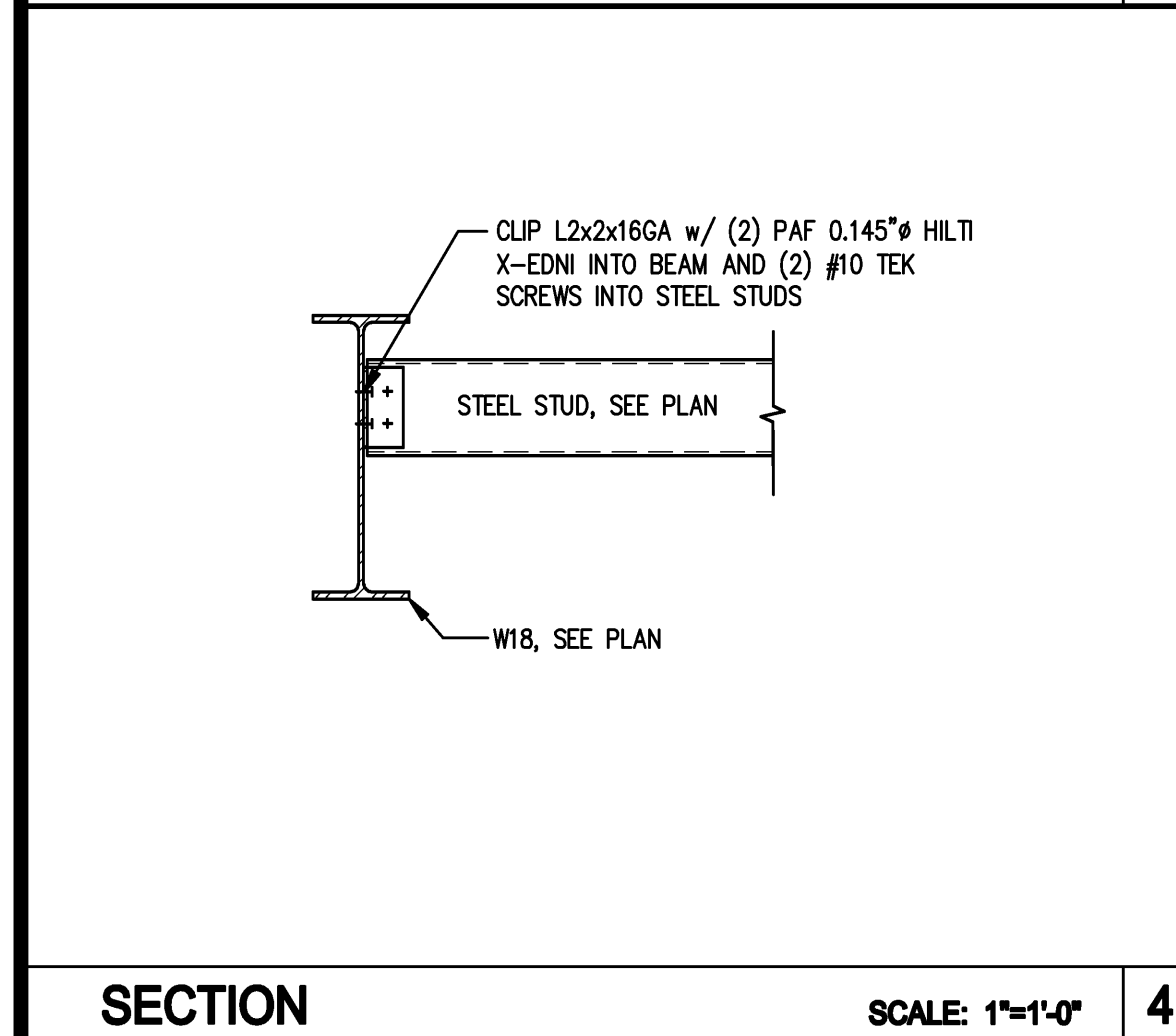
**SECTION** SCALE: 1"=1'-0" 4



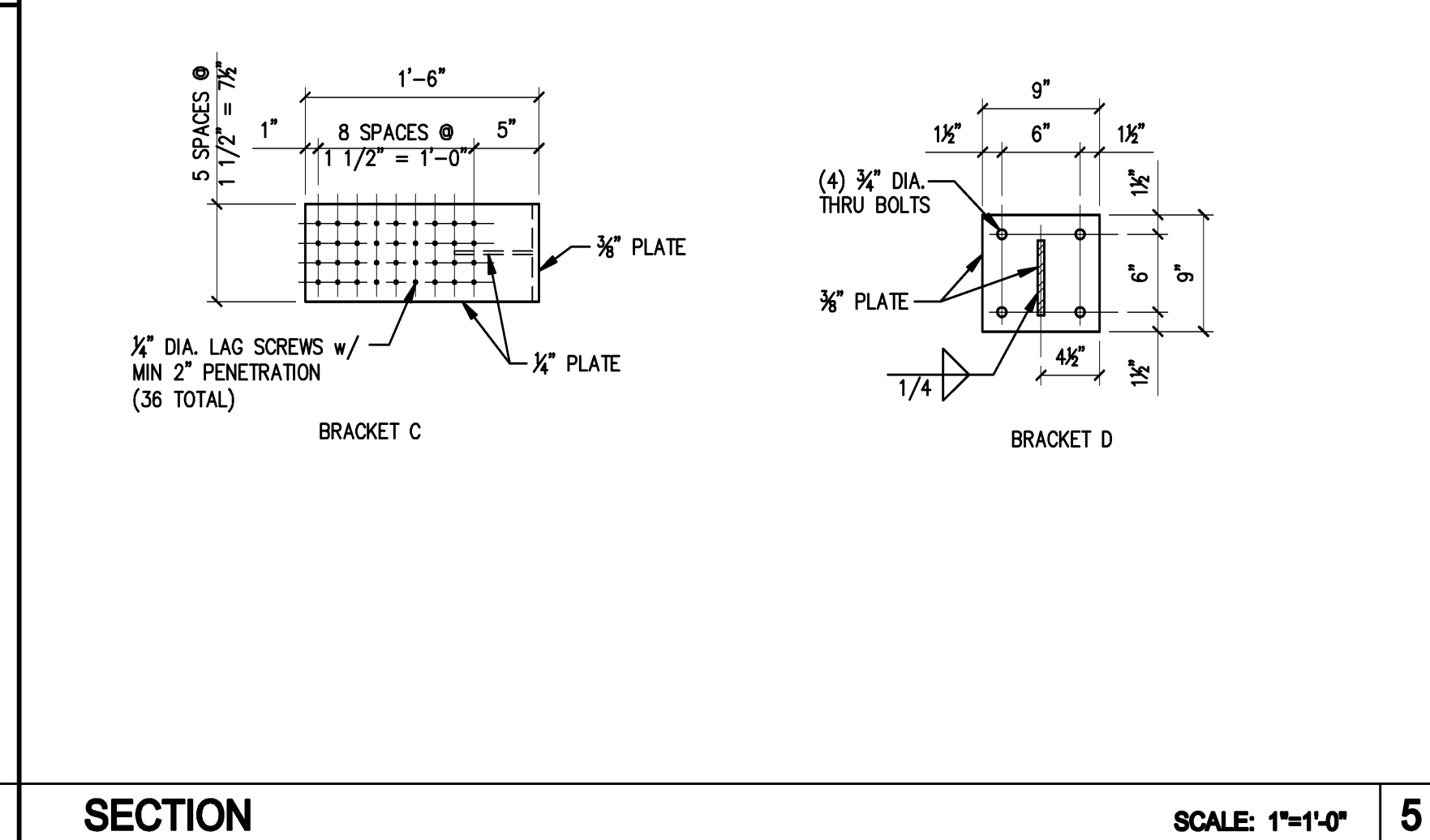
**SECTION** SCALE: 1"=1'-0" 6



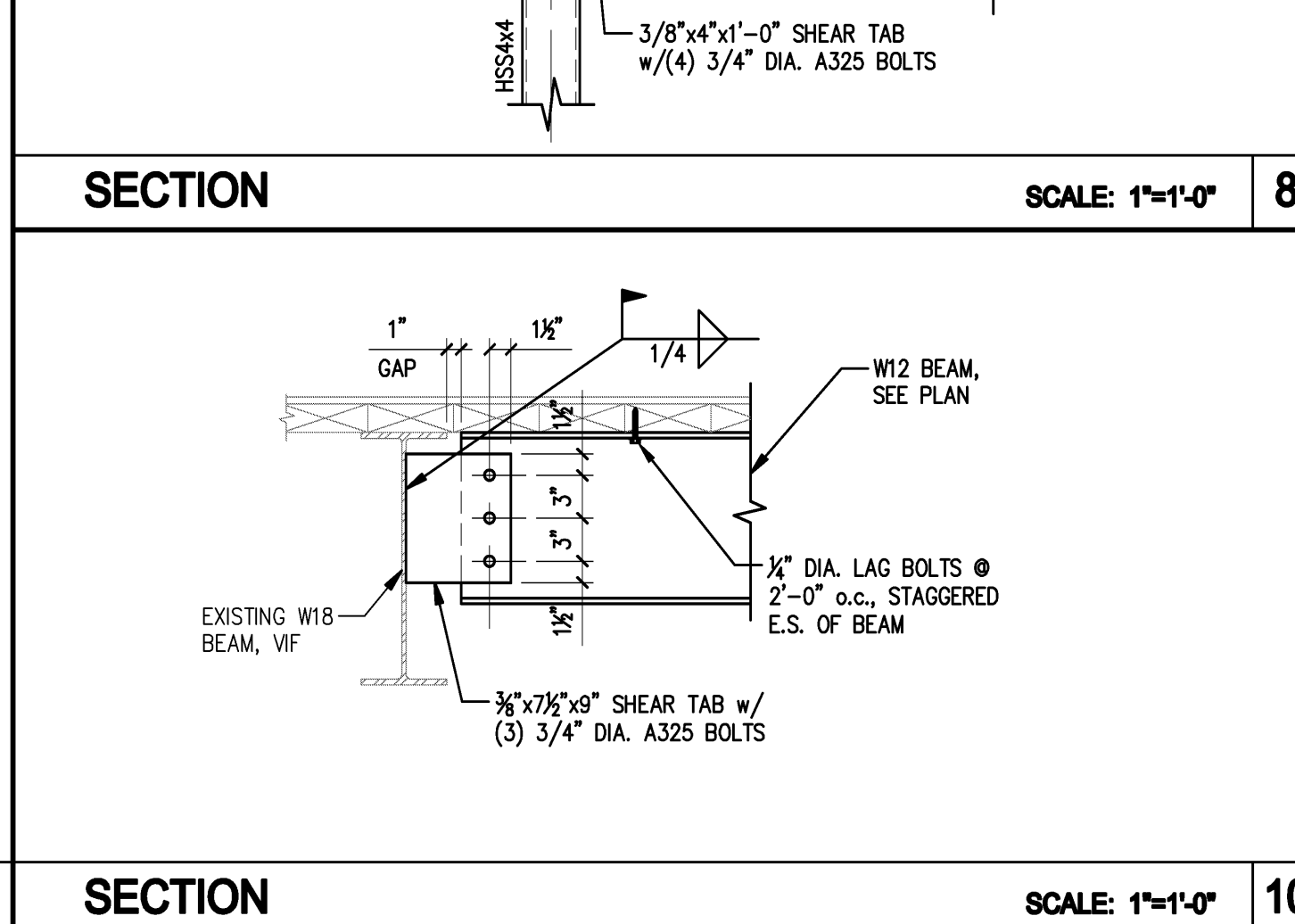
**SECTION** SCALE: 1"=1'-0" 7



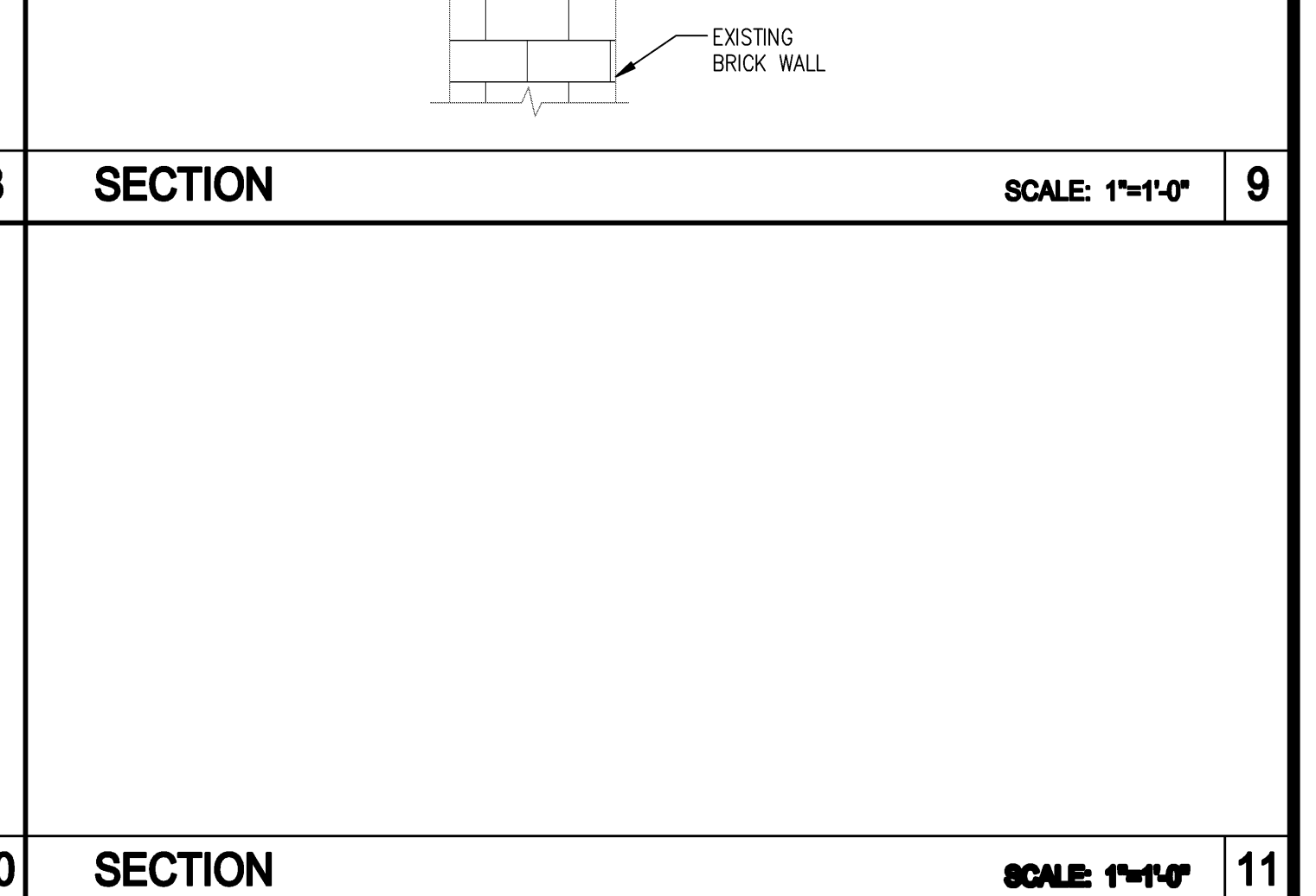
**SECTION** SCALE: 1"=1'-0" 4



**SECTION** SCALE: 1"=1'-0" 5



**SECTION** SCALE: 1"=1'-0" 8



**SECTION** SCALE: 1"=1'-0" 9



**SECTION** SCALE: 1"=1'-0" 10

**SECTION** SCALE: 1"=1'-0" 11