

***NOTES:**

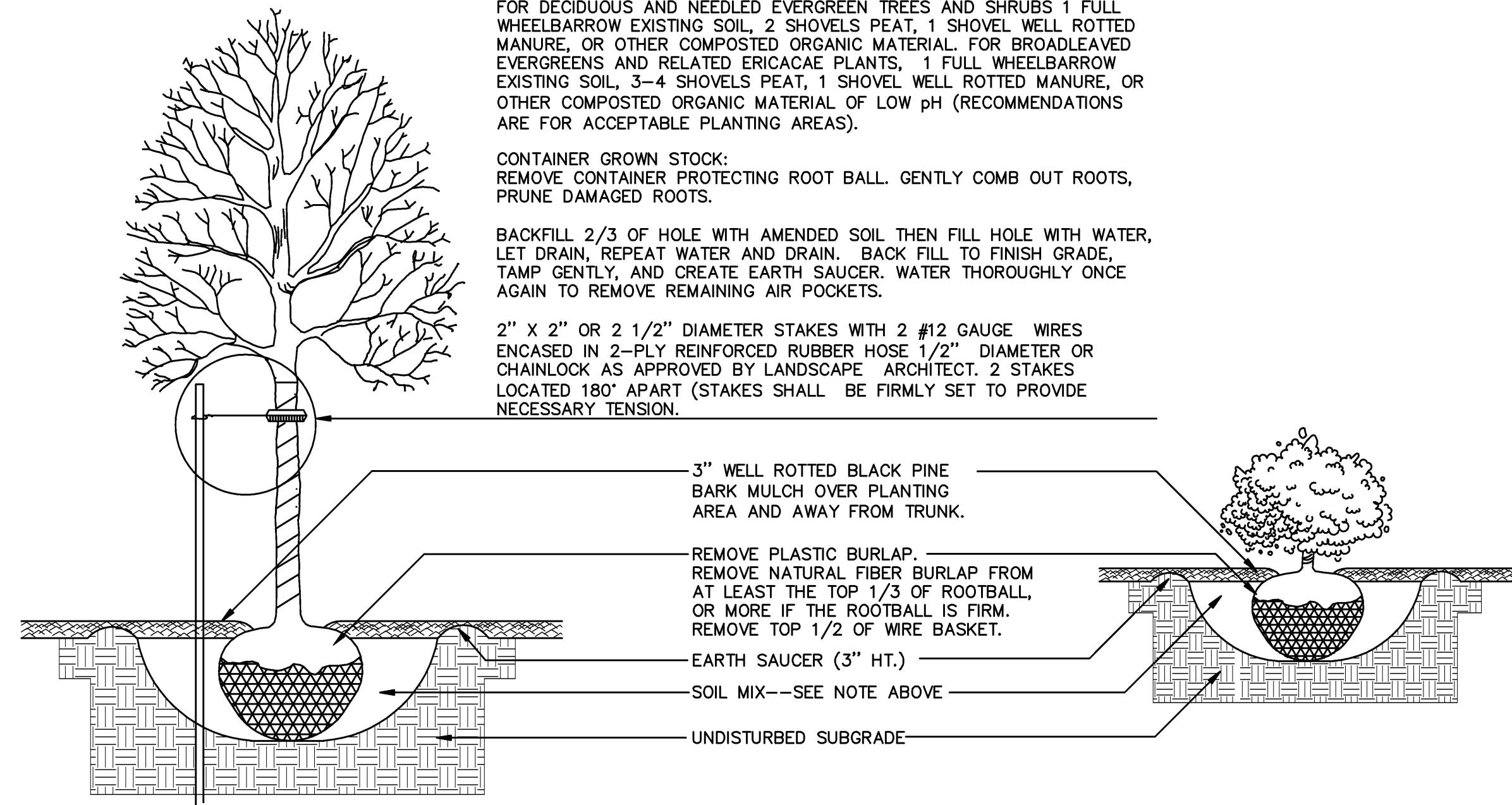
DIG HOLE AT LEAST 2 TIMES THE WIDTH OF ROOT BALL AND AS DEEP AS THE ROOT BALL (NO DEEPER). SET ROOT BALL CENTERED, WITH TOP AT GROUND LEVEL OR SLIGHTLY HIGHER. CORRECT HOLE DEPTH AS NEEDED.

FOR DECIDUOUS AND NEEDLED EVERGREEN TREES AND SHRUBS 1 FULL WHEELBARROW EXISTING SOIL, 2 SHOVELS PEAT, 1 SHOVEL WELL ROTTED MANURE, OR OTHER COMPOSTED ORGANIC MATERIAL, FOR BROADLEAVED EVERGREENS AND RELATED ERICACEAE PLANTS, 1 FULL WHEELBARROW EXISTING SOIL, 3-4 SHOVELS PEAT, 1 SHOVEL WELL ROTTED MANURE, OR OTHER COMPOSTED ORGANIC MATERIAL OF LOW pH (RECOMMENDATIONS ARE FOR ACCEPTABLE PLANTING AREAS).

CONTAINER GROWN STOCK: REMOVE CONTAINER PROTECTING ROOT BALL. GENTLY COMB OUT ROOTS, PRUNE DAMAGED ROOTS.

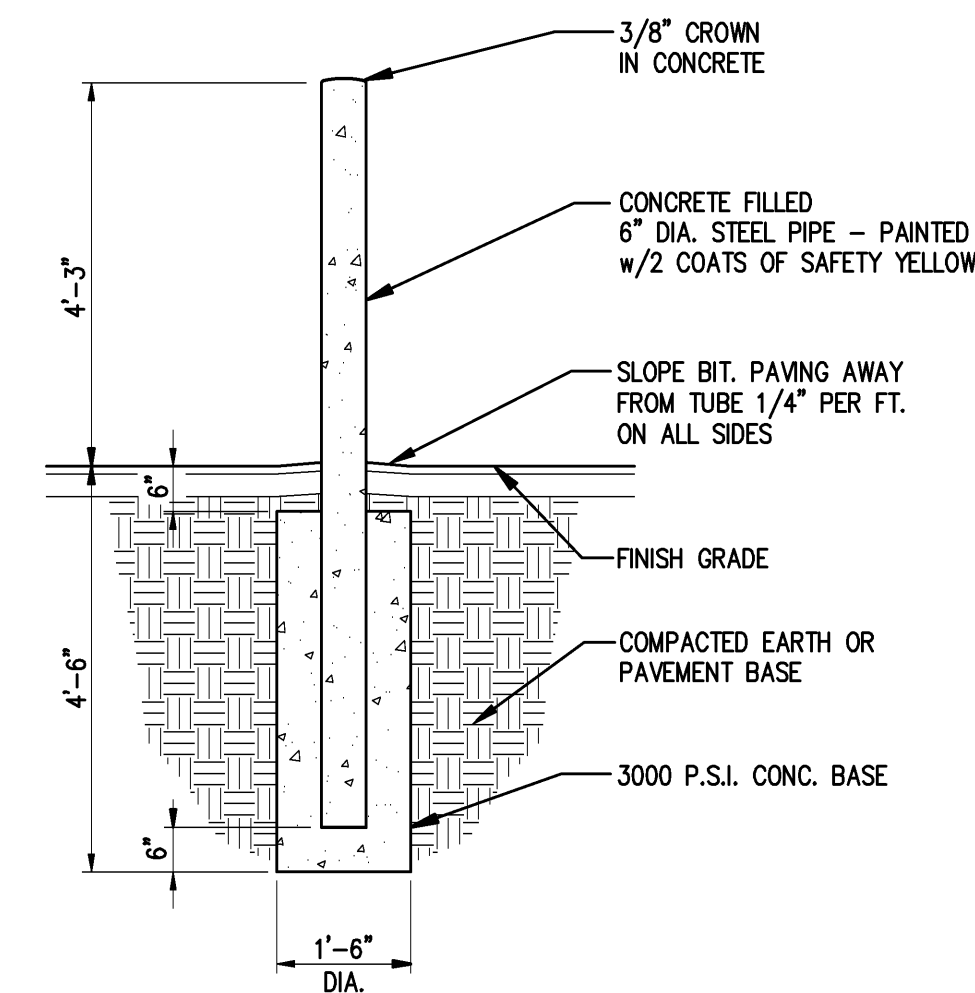
BACKFILL 2/3 OF HOLE WITH AMENDED SOIL THEN FILL HOLE WITH WATER. LET DRAIN, REPEAT WATER AND DRAIN. BACK FILL TO FINISH GRADE, TAMP GENTLY, AND CREATE EARTH SAUCER. WATER THOROUGHLY ONCE AGAIN TO REMOVE REMAINING AIR POCKETS.

2" X 2" OR 2 1/2" DIAMETER STAKES WITH 2 #12 GAUGE WIRES ENCASED IN 2-PLY REINFORCED RUBBER HOSE 1/2" DIAMETER OR CHAINLOCK AS APPROVED BY LANDSCAPE ARCHITECT. 2 STAKES LOCATED 180° APART (STAKES SHALL BE FIRMLY SET TO PROVIDE NECESSARY TENSION).



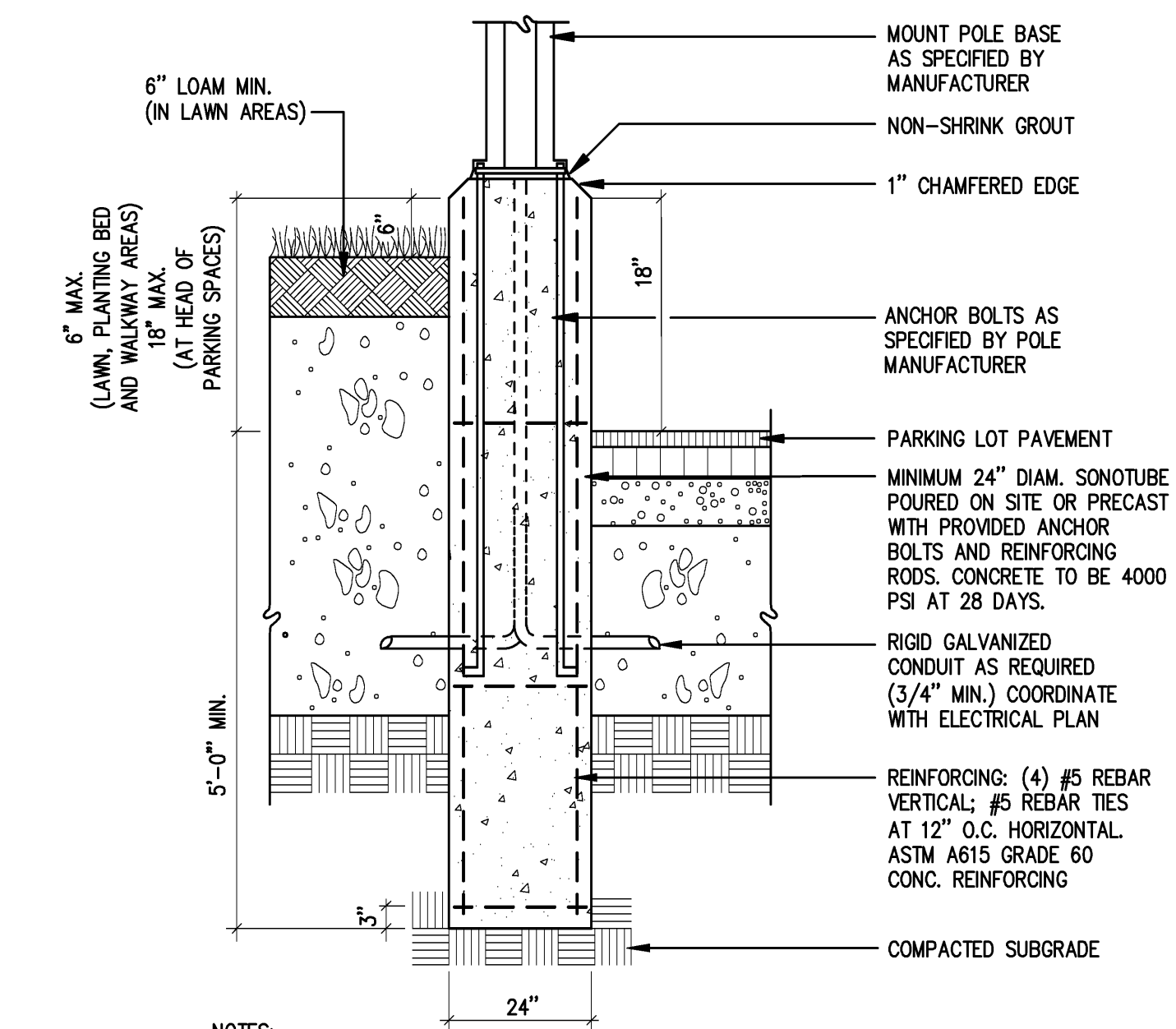
TYPICAL TREE AND SHRUB PLANTING DETAIL

NTS



TYPICAL BOLLARD DETAIL

NTS



LIGHT POLE BASE DETAIL

NTS

- NOTES:
- POLES MOUNTED AT HEAD OF PARKING SPACES SHALL HAVE A CONCRETE BASE SET 18" ABOVE PAVEMENT OR UNPROTECTED EDGES OF PARKING LOTS.
 - POLES MOUNTED ON INSIDE EDGE OF SIDEWALKS AND GRASSED AREAS NOT ASSOCIATED WITH PARKING SPACES, SHALL BE MOUNTED 6 INCHES ABOVE TURF.

MAINE
 BOWL PORTLAND
 PORTLAND
 BUILDING RENOVATION

NO.	DATE	ISSUE
A	01-10	PLANNING REVIEW
B	10-2-09	PLANNING REVIEW
C	10-30-09	DESIGN DEVELOPMENT
D	12-7-09	ISSUED FOR BID

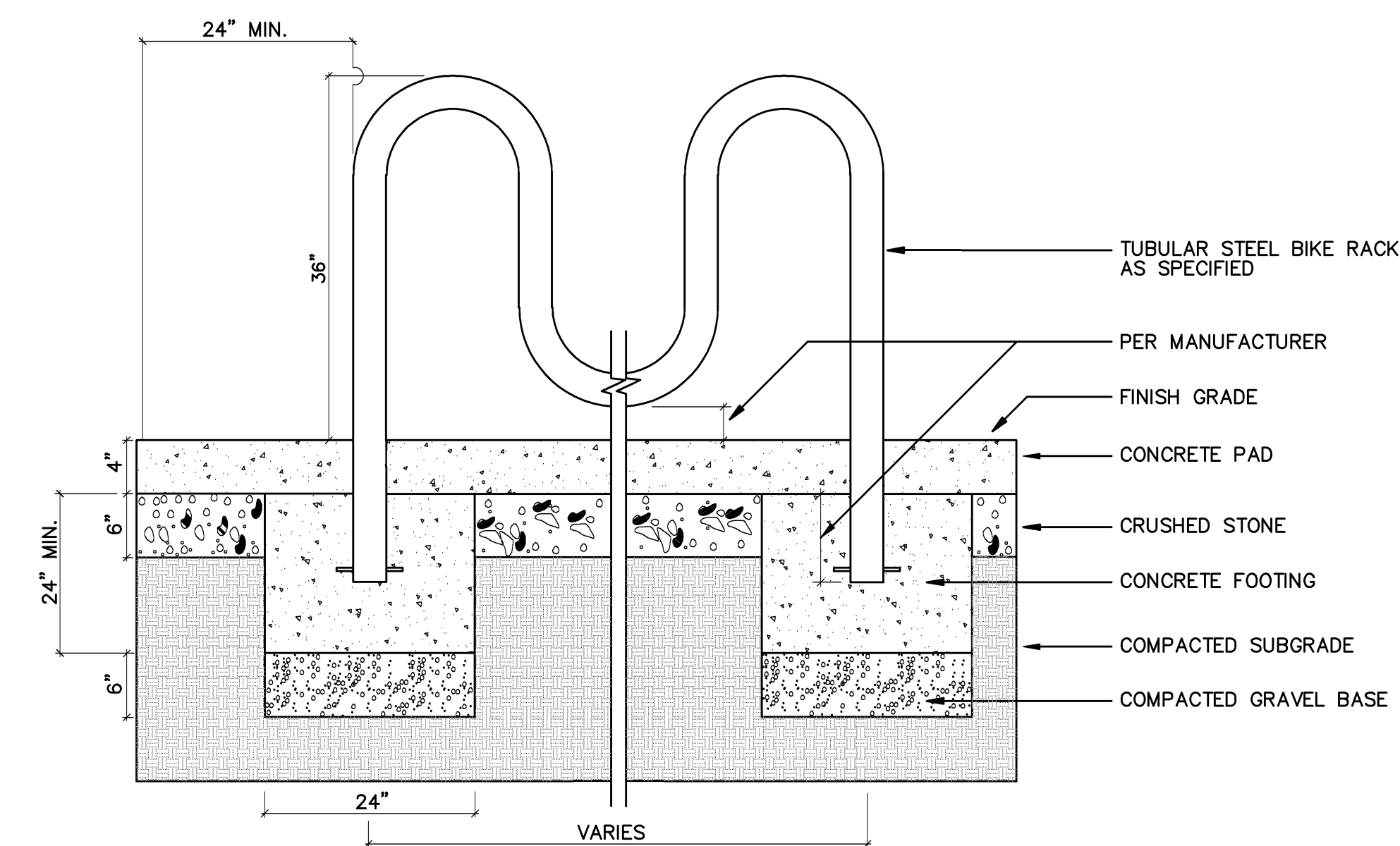
SHEET TITLE:

SITE DETAILS, SHEET 2

DESIGNED: ED
 DRAWN: ED
 DATE: 8-27-09
 CADD FILE: 9065-DETAILS.DWG
 PROJECT NUMBER: 9065

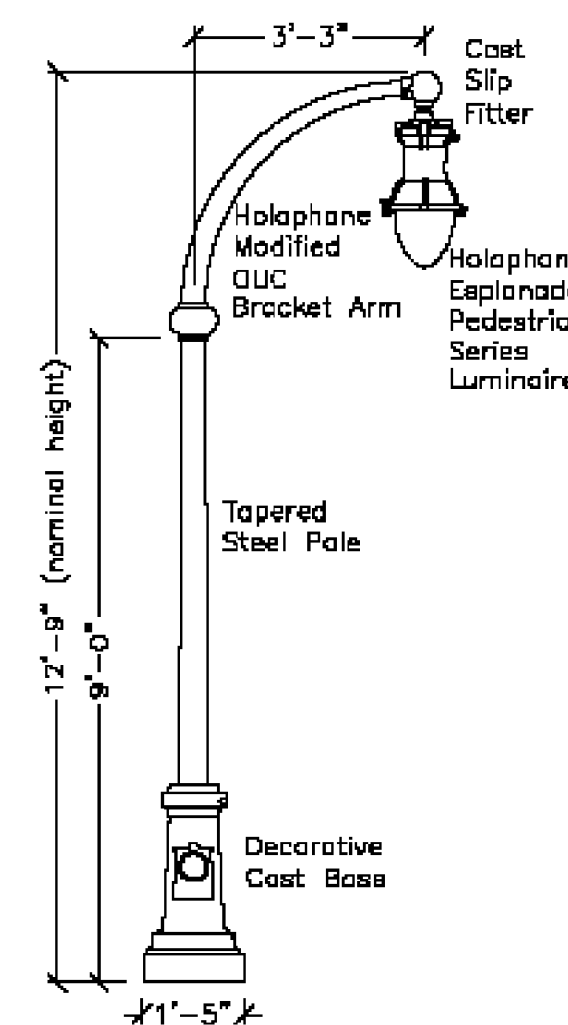
L.4

NTS



BIKE RACK DETAIL

LIGHT POLE SPECIFICATION



LUMINAIRE
 Holophane Lighting model ESP70DMH12A5-PR-RAL6012
 Cast Aluminum housing with stainless steel hardware. Dropped refractor shall be thermal resistant borosilicate glass. Internal reflector and prismatic diffuser shall provide an IES Type V distribution pattern according to the manufacturer's photometric test # 64546.
 Luminaire shall include an integral ballast with modular wiring connectors and multi-voltage taps (factory wired for 120VAC). Provide an internal button type photocell control.
 Luminaire finish shall be RAL # 8012 polyester powder coat paint (dark green).

LAMP
 Holophane Lighting model S-MP70/C/MED 64546
 Vertical mounted, 70 watt mogul base coated metal halide lamp.

BRACKET ARM
 Holophane Lighting model QUC (modified) 8063-18 aluminum crossarm, with a post-top fitting for a 3-3/4" by 3/4" tenon. Bracket arm finish shall be RAL # 8012 polyester powder coat paint (dark green).

SLIP FITTER
 Holophane Lighting model BHLF2DQ-SCA/AS (Boston Harbor Series)
 2-1/2" O.D. with swivel cast fitter. Finish shall be polyester powder coat paint RAL # 8012 (dark green).

LIGHTING POLE
 Tapered steel pole shaft rated for a 90 mph wind load with a 1.3 gust factor. Pole shall be pre-galvanized with a finish coat of polyester powder coat paint RAL # 8012 (dark green). Provide four hot-dipped galvanized steel L-type anchor bolts.

DECORATIVE POLE BASE
 Holophane model Cambridge Series clamshell cast aluminum base. Hardware shall be stainless steel.

APPLICATION
 Sidewalk lighting or small area lighting.
 Suggested layout guidelines:
 80-80 feet on center (one side only)
 100-175 feet on center (staggered pattern both sides).

City of Portland, Maine
 Street & Sidewalk Lighting
 BAYSIDE DISTRICT
 Small Scale Lighting Pole
 01/24/05

