

- Consultants**
- Casco Bay Engineering  
Structural Engineer
  - Casco Bay Engineering  
Civil Engineer
  - TJM Consulting  
Food Service
  - Urban Dwellings  
Interior Design

**Revisions**

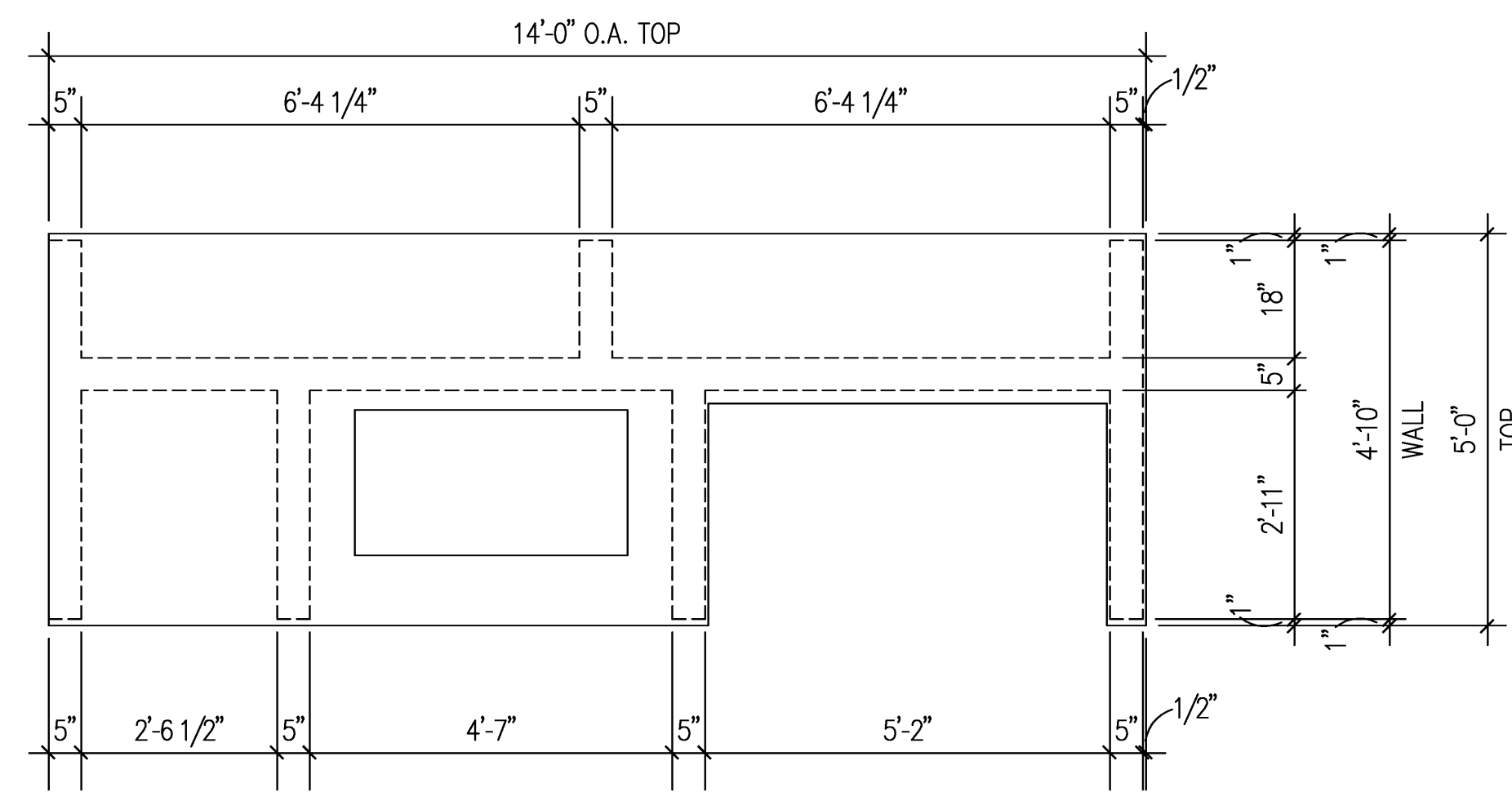
**Bowl Portland**  
58 Alder Street Portland, Maine

Job Number: 09.017  
Date: 23.Nov.09

Drawing Title:

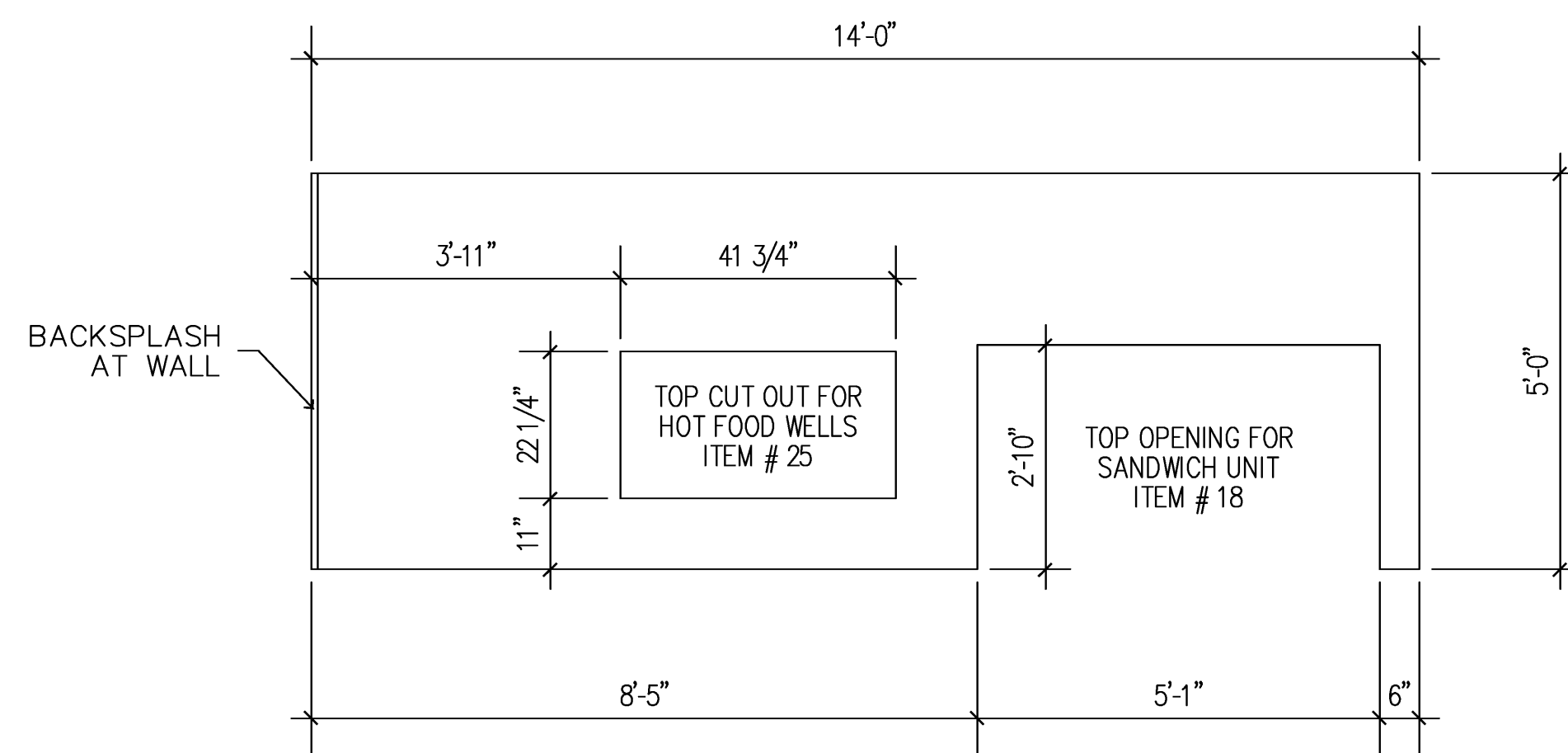
**FOODSERVICE  
EQUIPMENT  
CHEF'S  
COUNTER**

**FS-7**



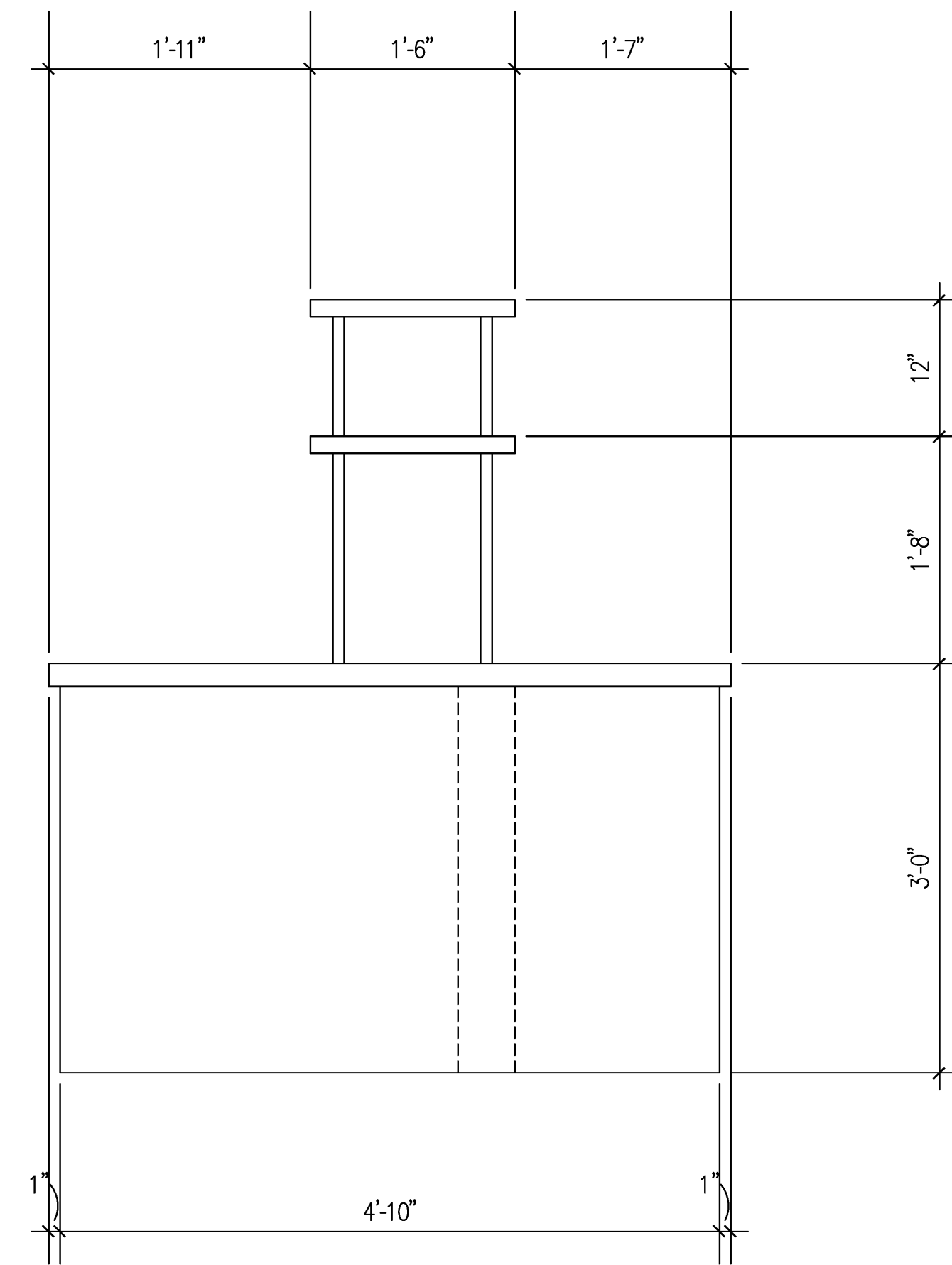
**CHEF'S COUNTER, SUPPORT WALL DETAIL**

SCALE - 1/2" = 1' - 0"



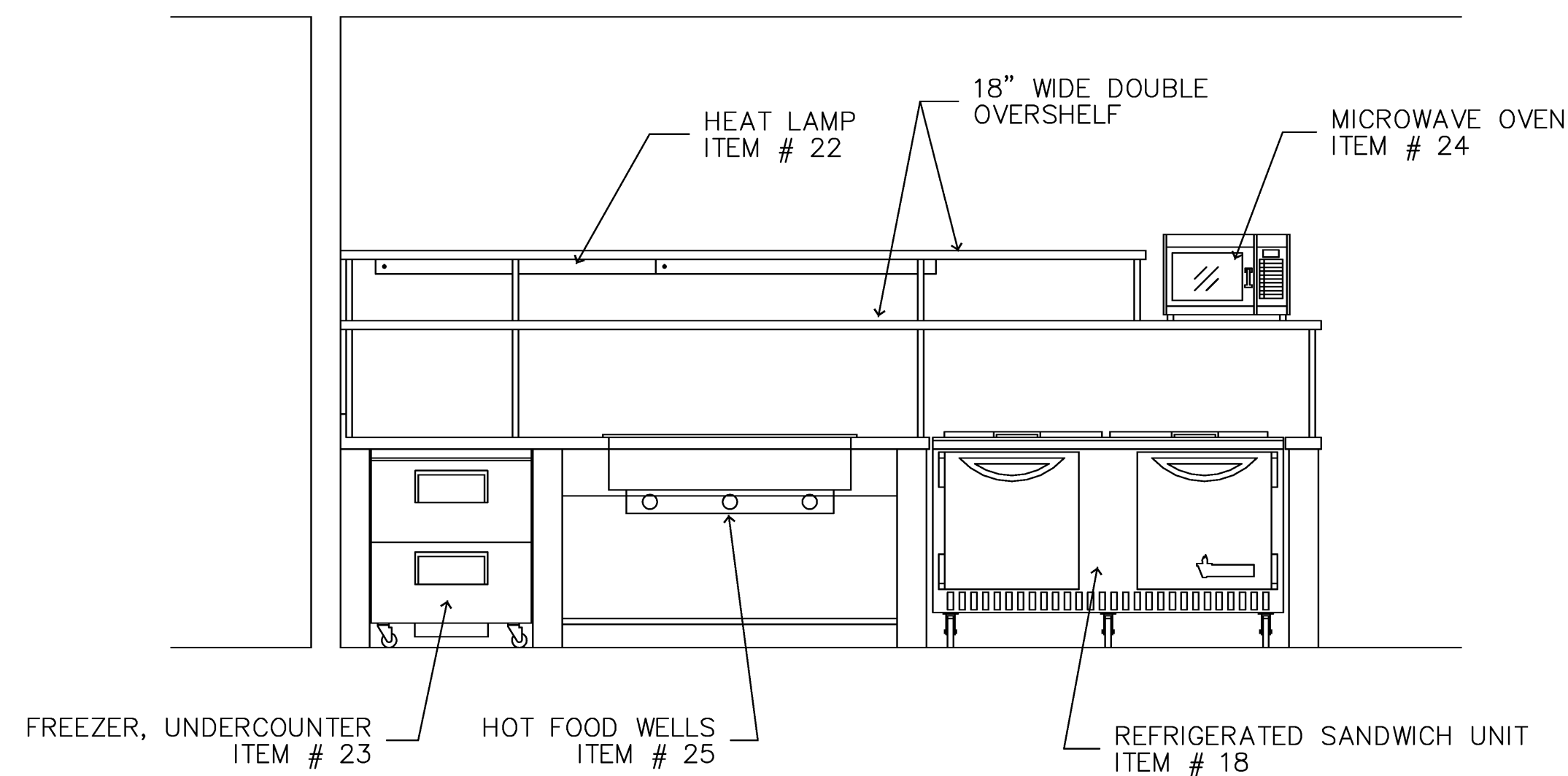
**CHEF'S COUNTER TOP DETAIL**

SCALE - 1/2" = 1' - 0"



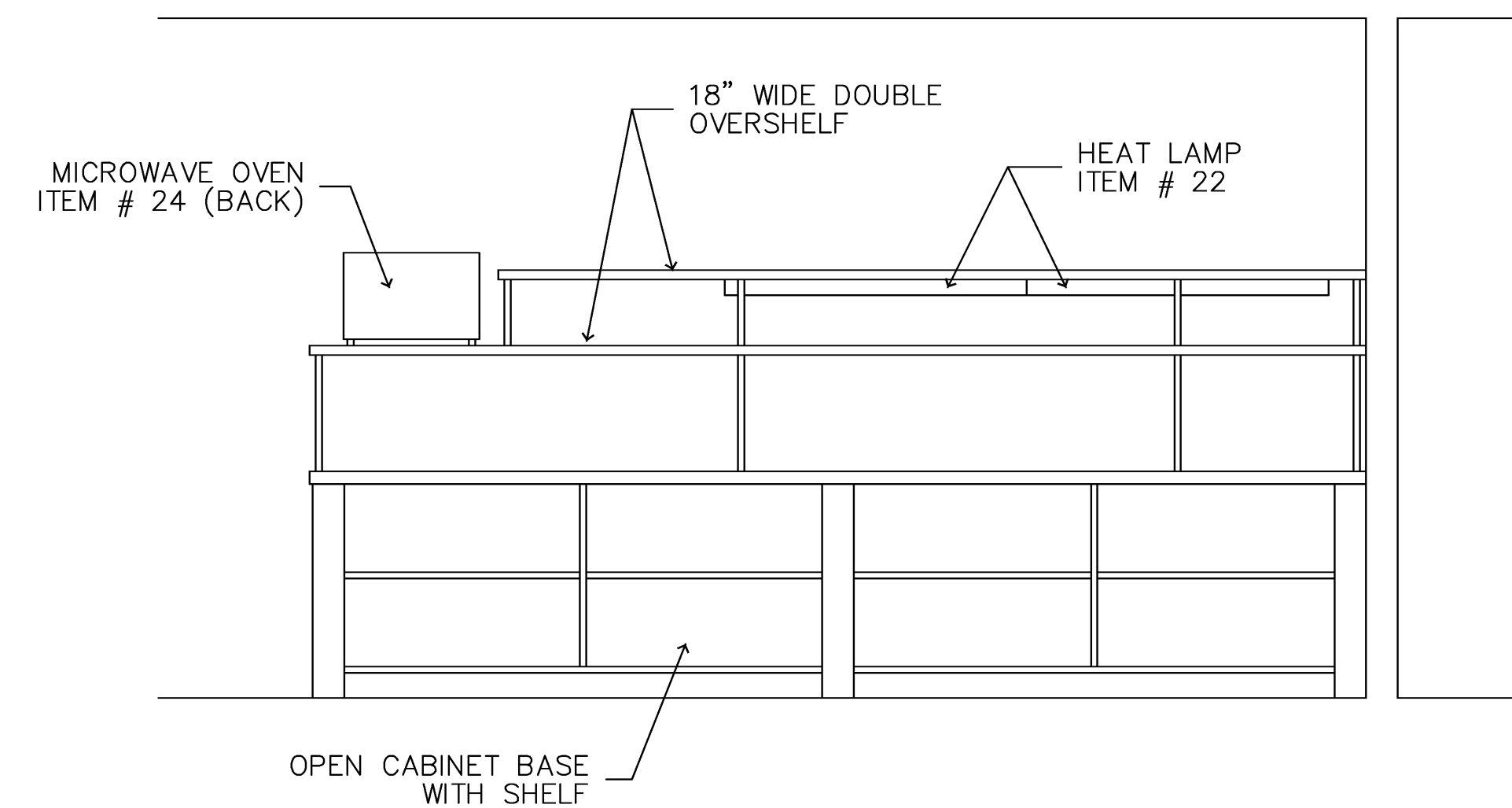
**CHEF'S COUNTER, SECTION**

SCALE - 1" = 1' - 0"



**CHEF'S COUNTER (COOK'S SIDE)**

SCALE - 1/2" = 1' - 0"



**CHEF'S COUNTER (SERVER SIDE)**

SCALE - 1/2" = 1' - 0"