

- Consultants**
- Casco Bay Engineering  
Structural Engineer
  - Casco Bay Engineering  
Civil Engineer
  - TJM Consulting  
Food Service
  - Urban Dwellings  
Interior Design

**Revisions**

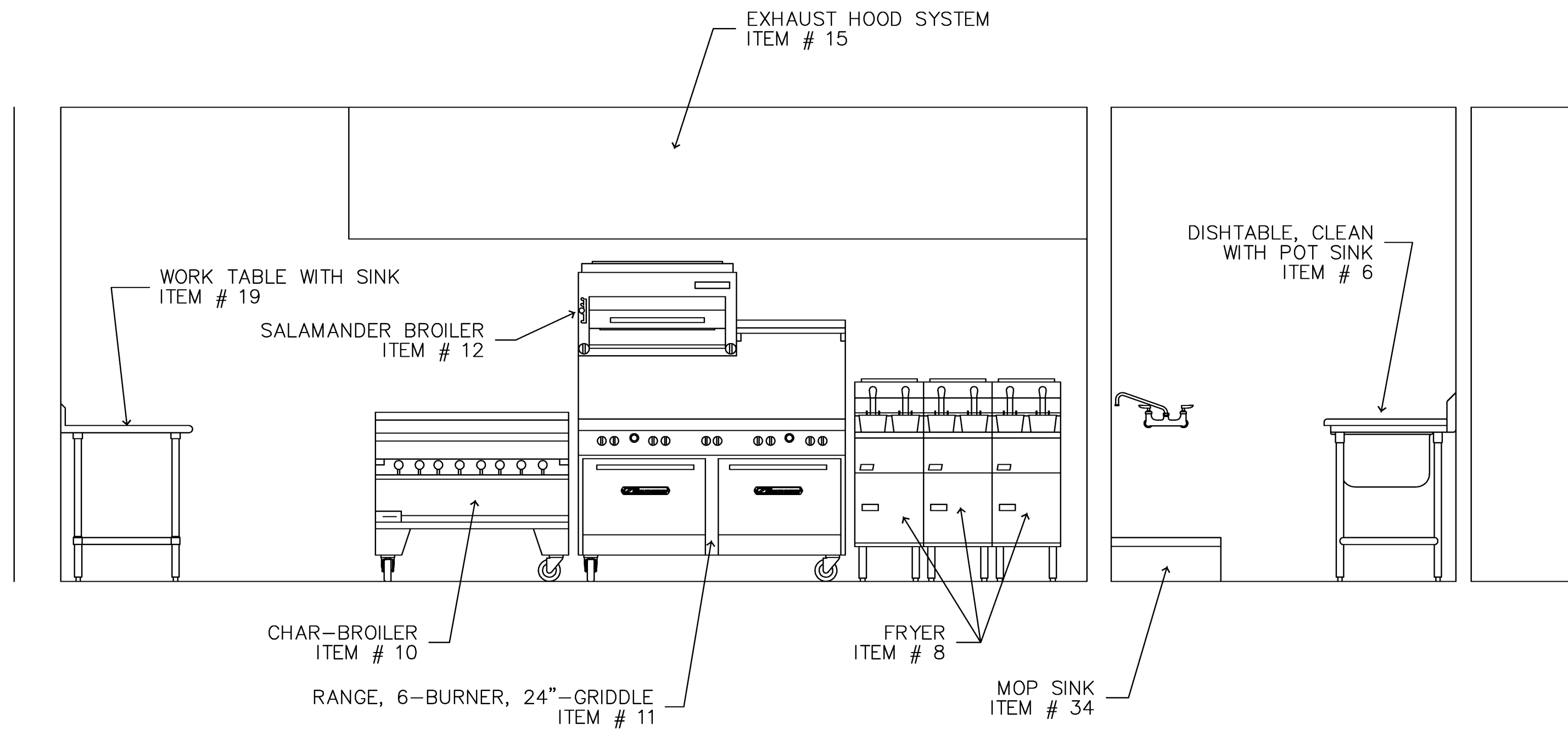
**Bowl Portland**  
58 Alder Street Portland, Maine

Job Number: 09.017  
Date: 23.Nov.09

Drawing Title:

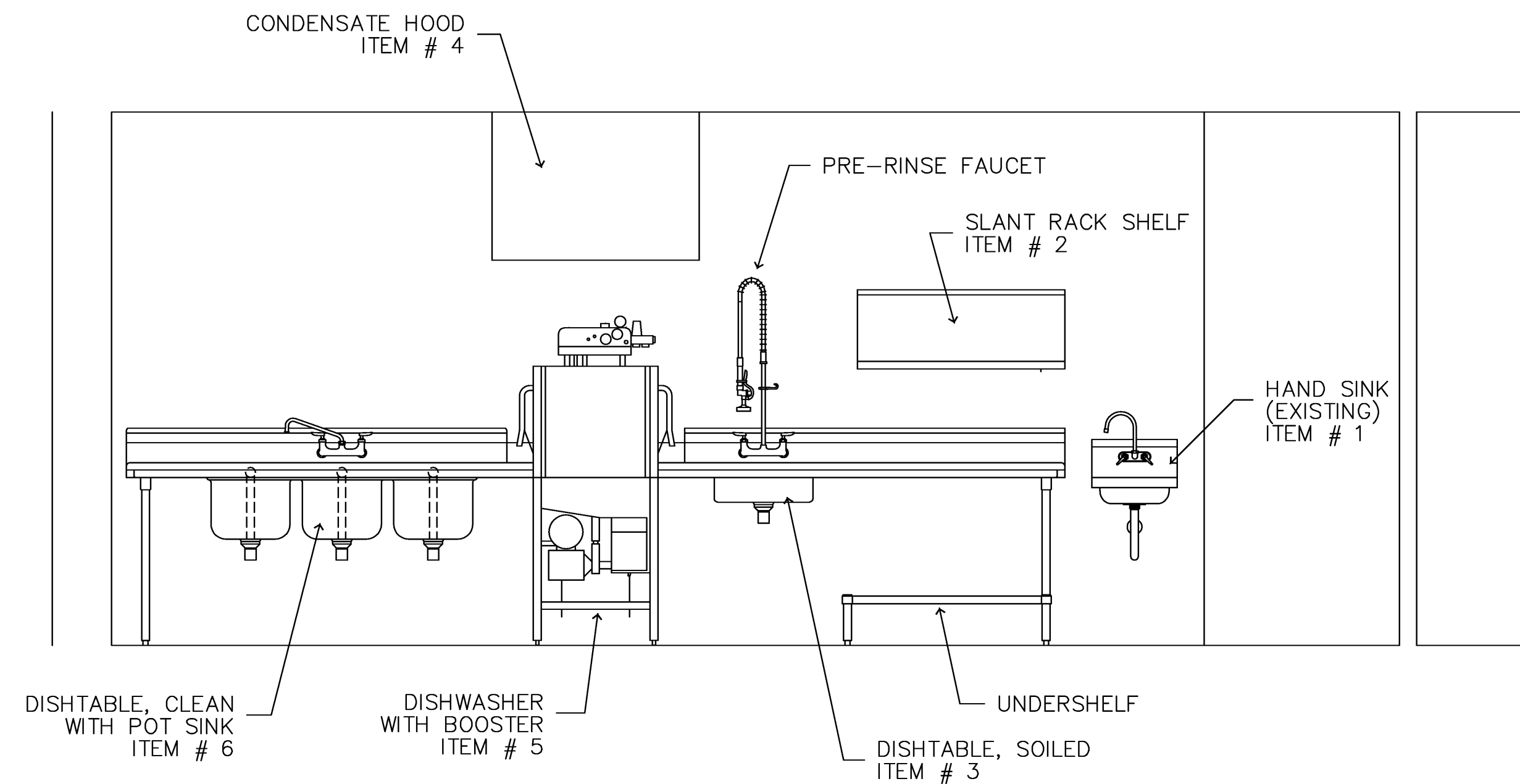
**FOODSERVICE  
EQUIPMENT  
DETAILS AND  
ELEVATIONS**

**FS-6**



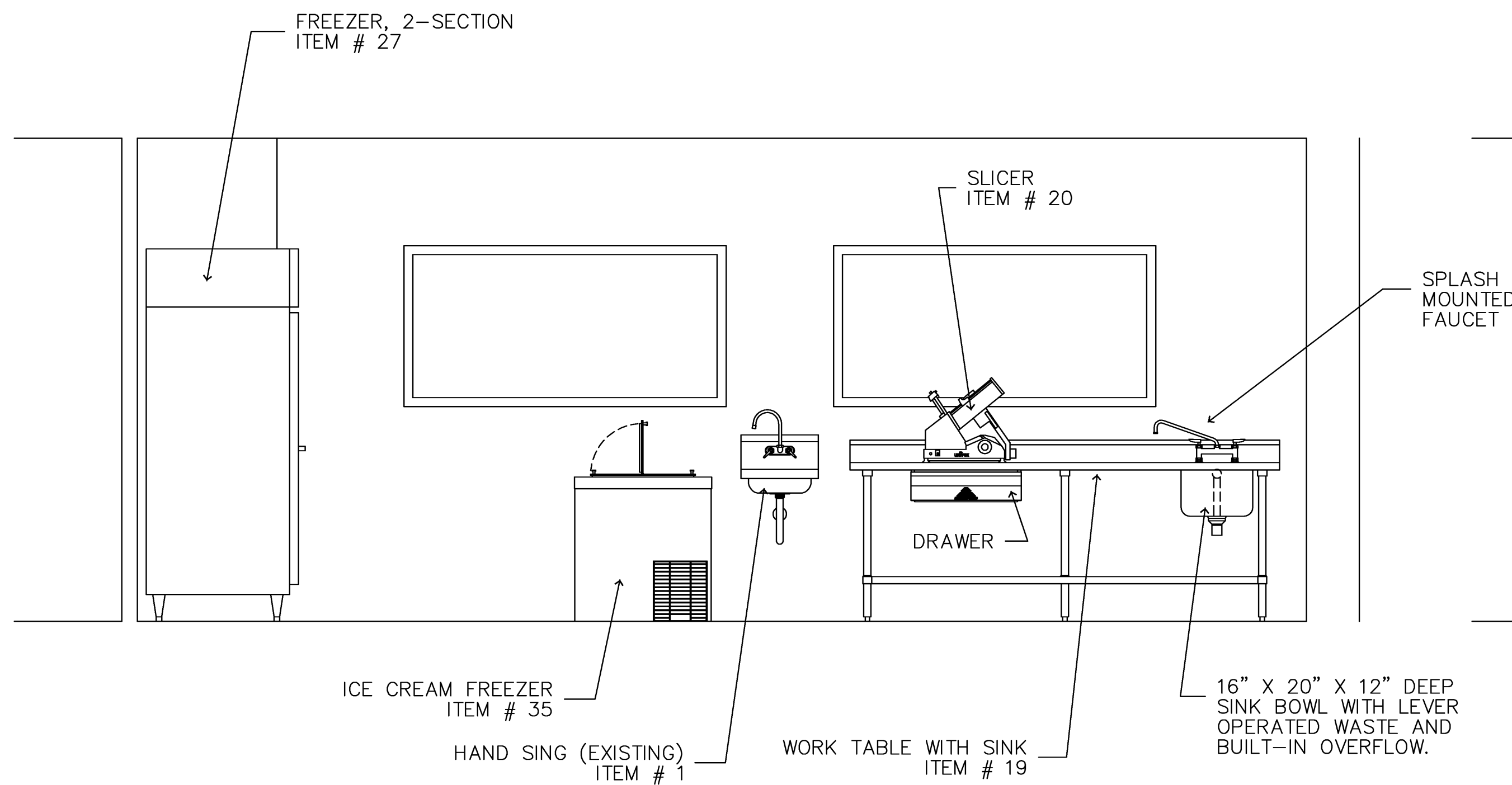
**COOKING LINE ELEVATION**

SCALE - 1/2" = 1' - 0"



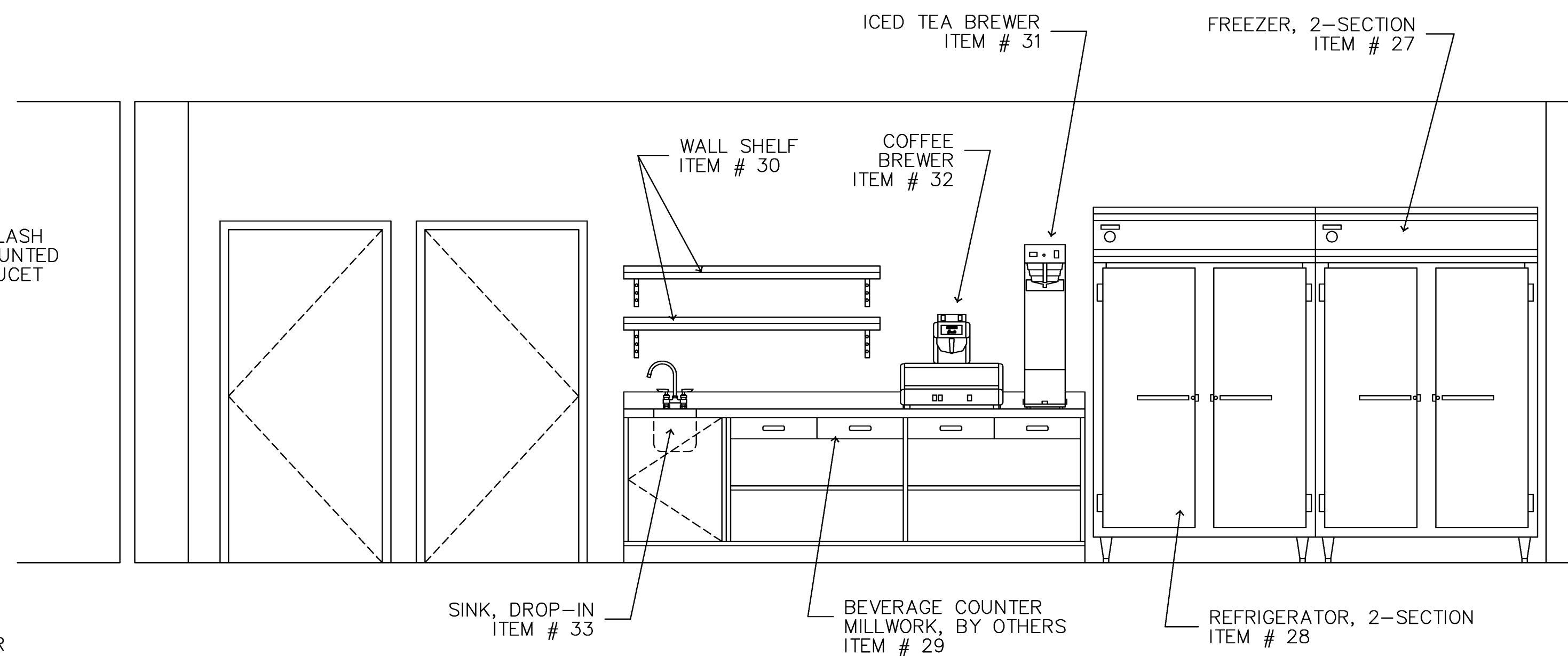
**DISHWASH AREA ELEVATION**

SCALE - 1/2" = 1' - 0"



**PREP AREA ELEVATION**

SCALE - 1/2" = 1' - 0"



**WAIT STATION AREA ELEVATION**

SCALE - 1/2" = 1' - 0"