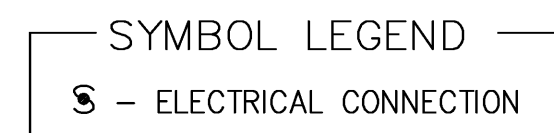
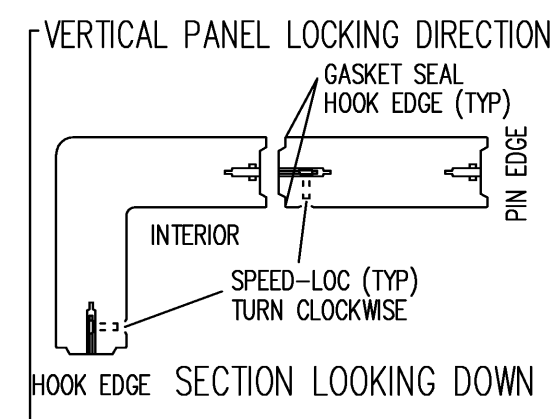


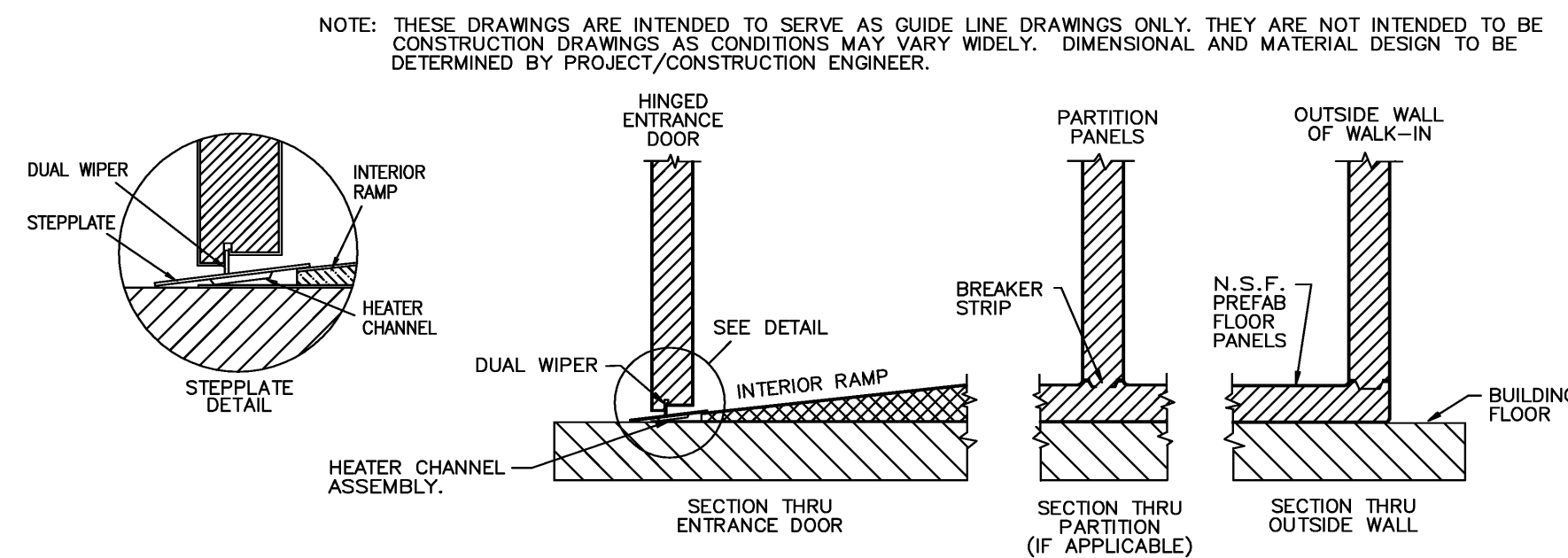
PLAN VIEW-A

SCALE: 3/8" = 1' - 0"



AIR GAP RECOMMENDATION
BALLY RECOMMENDS A 2" GAP BETWEEN WALK-IN VERTICAL PANELS AND EXISTING BUILDING WALLS FOR PROPER AIR CIRCULATION.

BALLY FLOOR PANEL GUIDELINES
STATIONARY LOAD: LIMIT 600 LBS. SQ. FT. (UNIFORMLY DISTRIBUTED)
MOBILE EQUIPMENT (DOLLIES OR CARTS): BALLY FLOOR PANELS MUST BE REINFORCED WITH FOAMED PLYWOOD UNDER INTERIOR FLOOR SKIN (ALUMINUM DIAMOND TREAD OVERLAY IS ALSO AN OPTION).
FORK-LIFT USE: A MINIMUM OF 4" REINFORCED CONCRETE MUST BE POURED OVER BALLY FLOOR PANELS.



NOTE: THESE DRAWINGS ARE INTENDED TO SERVE AS GUIDE LINE DRAWINGS ONLY. THEY ARE NOT INTENDED TO BE CONSTRUCTION DRAWINGS AS CONDITIONS MAY VARY WIDELY. DIMENSIONAL AND MATERIAL DESIGN TO BE DETERMINED BY PROJECT/CONSTRUCTION ENGINEER.

NOTE: BALLY TO FURNISH THE PREFAB. SECTIONAL WALK-IN COOLER OR FREEZER ONLY (UNLESS OTHERWISE SPECIFIED) THIS INCLUDES FLOORS, WALLS AND CEILING PANELS.

NOTE: BEARING SURFACE UNDER FLOOR PANELS MUST BE LEVEL AND DRY. BOTTOM OF PANELS MUST HAVE AT LEAST 80% CONTACT WITH FLOORS.

NOTE: IF MOISTURE IS PRESENT UNDER BUILDING FLOOR, A VAPOR BARRIER MUST BE APPLIED BETWEEN BUILDING FLOOR AND PREFAB PANELS.

SPECIFICATIONS
17'-4" X 15'-5" X 8'-6"

INSTALLATION

- INDOOR
- LOADING HEIGHT - AT LEAST 18" OF OPEN SPACE MUST BE MAINTAINED BETWEEN TOP OF PRODUCT AND CEILING PANELS

INSULATION

- FOAMED IN-PLACE POURED URETHANE

EXTERIOR FINISH

- EMBOSSED GALVALUME

INTERIOR FINISH

- EMBOSSED GALVALUME

FLOOR FINISH

- (INTERIOR) #4.30 STAINLESS STEEL
- (EXTERIOR) EMBOSSED GALVALUME

DOORS/ACCESSORIES

- (2) 36" X 77 1/2" RIGHT SWING HINGED WALK-IN DOOR
- (1) 36" X 78" RIGHT SWING HINGED WALK-IN DOOR
- STD PRP

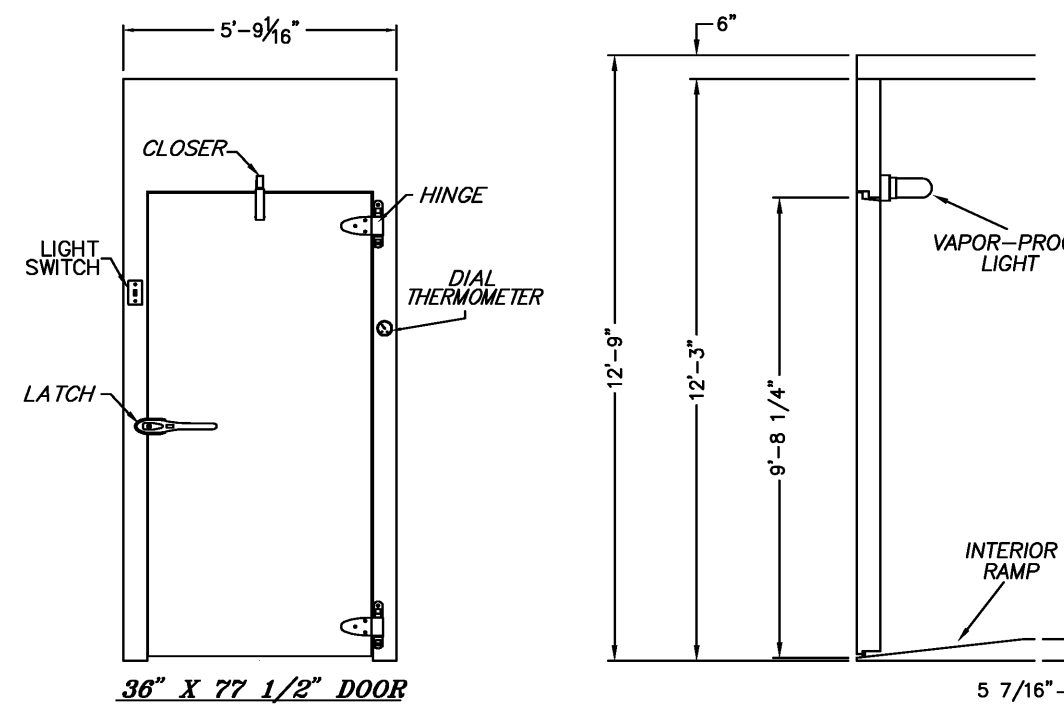
REFRIGERATION - BY BALLY

QTY	H/P	REF. TYPE	MODEL NUMBER	POWER SUPPLY	COMPRESSOR RLA LRA	FAN QTY HP FLA	TOTAL WATTS DEFROST	AMPS	MCA	MAX FUSE	CMPT
1	0.8	R404A	BEHA008-ES-HC2BB	208-230/1/60	5.4 40.0	1 0.5			7.3	15	C
1	1.0	R404A	BEHA010-ES-HC3BB	208-230/3/60	4.2 31.0	1 0.5			5.8	15	C
2			BLP209MA-S2BP-E	208-230/1/60		2 1/15 1.2			1.4	15	C
1	2.0	R404A	BEHA020-L6-HC3BF	208-230/3/60	6.3 52.0	1 0.5			8.4	15	F
1			BLP106LE-S2BP-E	208-230/1/60		1 1/15 0.6	1060	4.6	5.8	15	F

- (3) SETS OF 18" LEG EXTENSIONS FOR CONDENSING UNITS

GENERAL NOTES

- NOTE: BALLY TO FURNISH (1) EXTRA VAPOR PROOF LIGHT WITH 23W CFL BULB. LIGHT MOUNTED AND WIRED BY OTHERS.



SECTION VIEW THRU ENTRANCE DOOR

SCALE: 3/8" = 1' - 0" SHEET 1 OF 1

RESTRICTED, CONFIDENTIAL DOCUMENT.

THIS DRAWING AND ALL INFORMATION SHOWN HEREON ARE THE EXCLUSIVE PROPERTY OF BALLY REFRIGERATED BOXES INC. ARE SUBMITTED ONLY ON A CONFIDENTIAL BASIS. THE RECIPIENT AGREES NOT TO REPRODUCE THE DRAWING, TO RETURN IT UPON REQUEST, AND THAT NO DISCLOSURE OF THE DRAWING OR THE INFORMATION SHOWN HEREON WILL BE MADE TO A THIRD PARTY WITHOUT PRIOR WRITTEN CONSENT FROM BALLY REFRIGERATED BOXES INC.

SIGNED APPROVAL
SIGNED _____
DATE _____

PLEASE READ
THIS DRAWING HAS BEEN CAREFULLY CHECKED BY OUR DRAFTING DEPARTMENT. HOWEVER, ERRORS OF INTERPRETATION CAN OCCUR. THEREFORE, BEFORE YOU RETURN DRAWING MARKED "APPROVED", BE CERTAIN THAT YOU CHECK THEM CAREFULLY.
NOTE - THIS ORDER WILL NOT BE SCHEDULED FOR PRODUCTION UNTIL RECEIPT OF APPROVED DRAWINGS BY BALLY.

IMPORTANT - PLEASE READ
THESE DRAWINGS ARE NOT TO BE CONSIDERED AS APPROVED BY LOCAL OR STATE BUILDING AUTHORITIES. THEY HAVE BEEN PREPARED SOLELY FOR THE GUIDANCE OF REGISTERED ARCHITECTS AND ENGINEERS AND FOR THE ASSISTANCE OF LOCAL INSTALLERS. IT IS THE RESPONSIBILITY OF THE PROJECT ARCHITECT OR ENGINEER TO ASSURE THE BUILDING DESIGN MEETS LOCAL CODE REQUIREMENTS. THIS INCLUDES STRUCTURAL DESIGN AS WELL AS ANY WORK PERFORMED BY THE GENERAL CONTRACTOR. BALLY REFRIGERATED BOXES INC. IN PREPARING THESE DRAWINGS AND SPECIFICATIONS, DOES NOT ASSUME ANY RESPONSIBILITY FOR THE SUCCESSFUL COMPLETION OR USAGE OF THE STRUCTURE DESCRIBED.
THE DRAWINGS AND SPECIFICATIONS DESCRIBE A BUILDING ASSEMBLED FROM BALLY PANELS INSULATED WITH URETHANE FOAMED-IN-PLACE. THE SIZE AND SHAPE IS THAT WHICH MOST CLEARLY MEETS DIMENSIONS SUBMITTED BY THE USER.
BALLY REFRIGERATED BOXES INC. PROVIDES PANELS FREQUENTLY SPECIFIED BY OTHERS, AND IS NOT RESPONSIBLE FOR THE SELECTION OR RECOMMENDATION BY OTHERS OF THE PANEL FINISH FOR ANY BUILDING OR WALK-IN APPLICATION.

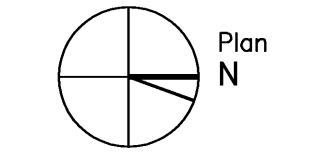
REV	DESCRIPTION	BY	DATE

Bally REFRIGERATED BOXES INC.
135 LITTLE NINE DRIVE WORTHINGTON, NC 28557 (252) 240-2829 Fax: (252) 240-0364
1829 COUNTY LINE ROAD BARTO, PA 19504 (610) 754-8642 Fax: (610) 754-1859

FOR **BOWL PORTLAND**

DRAWING NUMBER	92233AC	DATE	11/20/09
DRAWN BY	JSM	ORDER NUMBER	92233
DATE LBL'D BY		CHK'D BY	

100 Front Street
Top Floor
Bath Maine US 04530
207.671.6819
info@daymatero.com



Consultants
Casco Bay Engineering
Structural Engineer
Casco Bay Engineering
Civil Engineer
TJM Consulting
Food Service
Urban Dwellings
Interior Design

Revisions

Bowl Portland
58 Alder Street Portland, Maine

Job Number: 09.017
Date: 13.Nov.09

Drawing Title:

FOODSERVICE EQUIPMENT WALK-IN DETAILS

FS-5