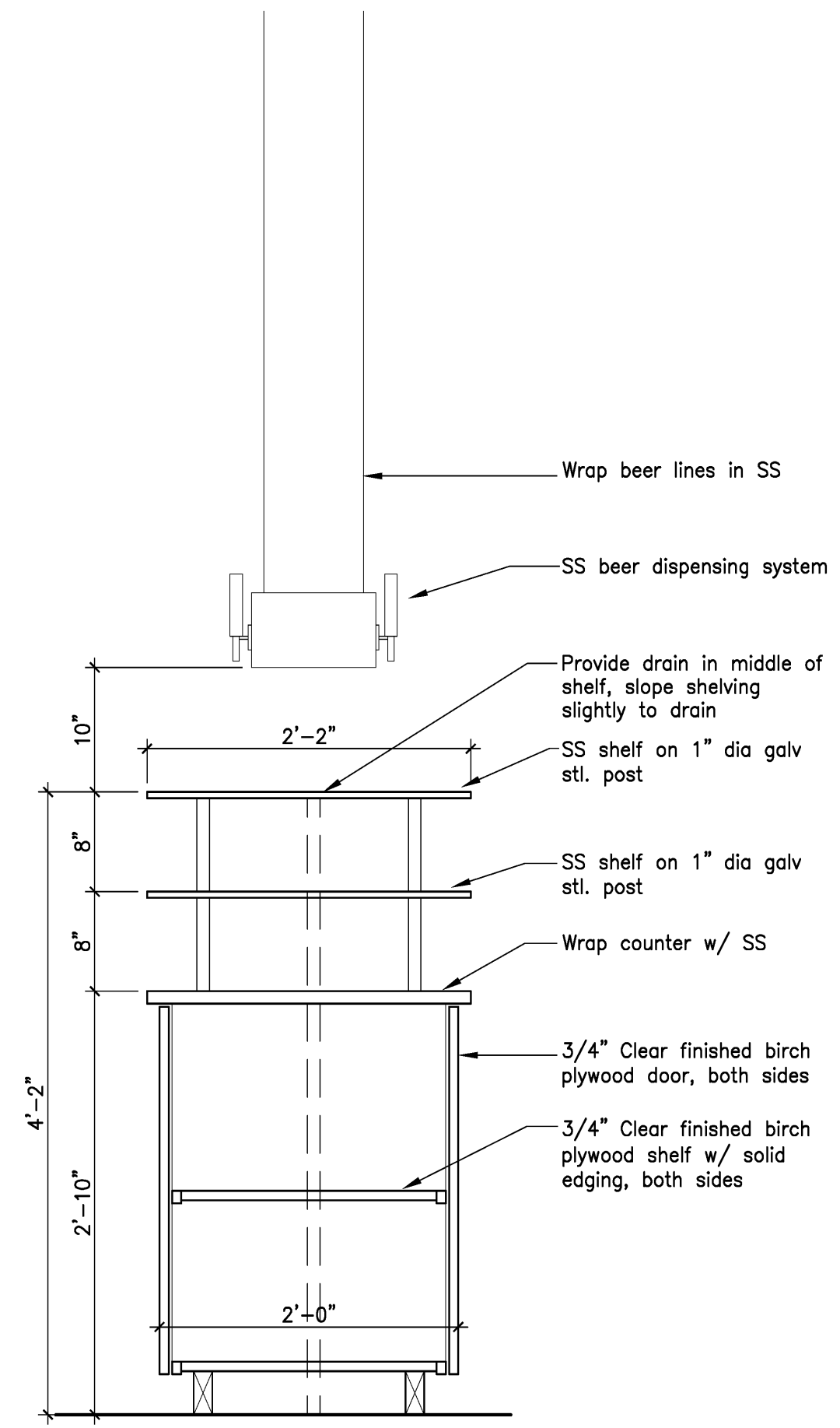
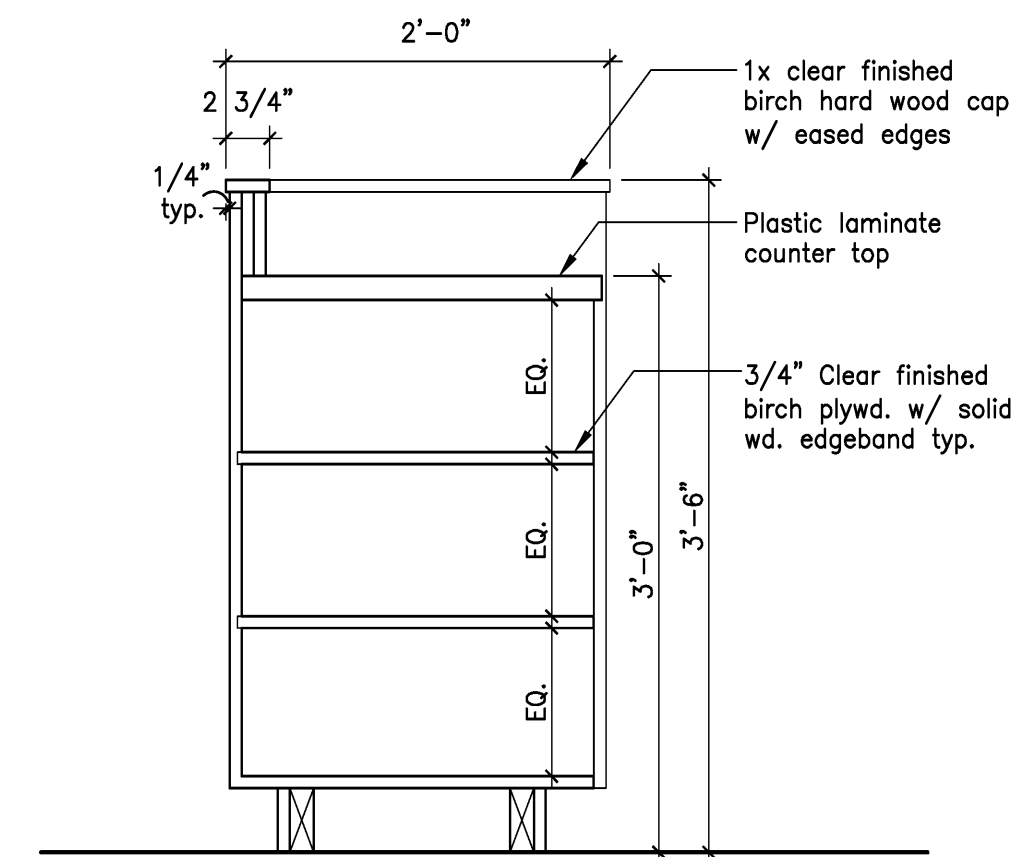


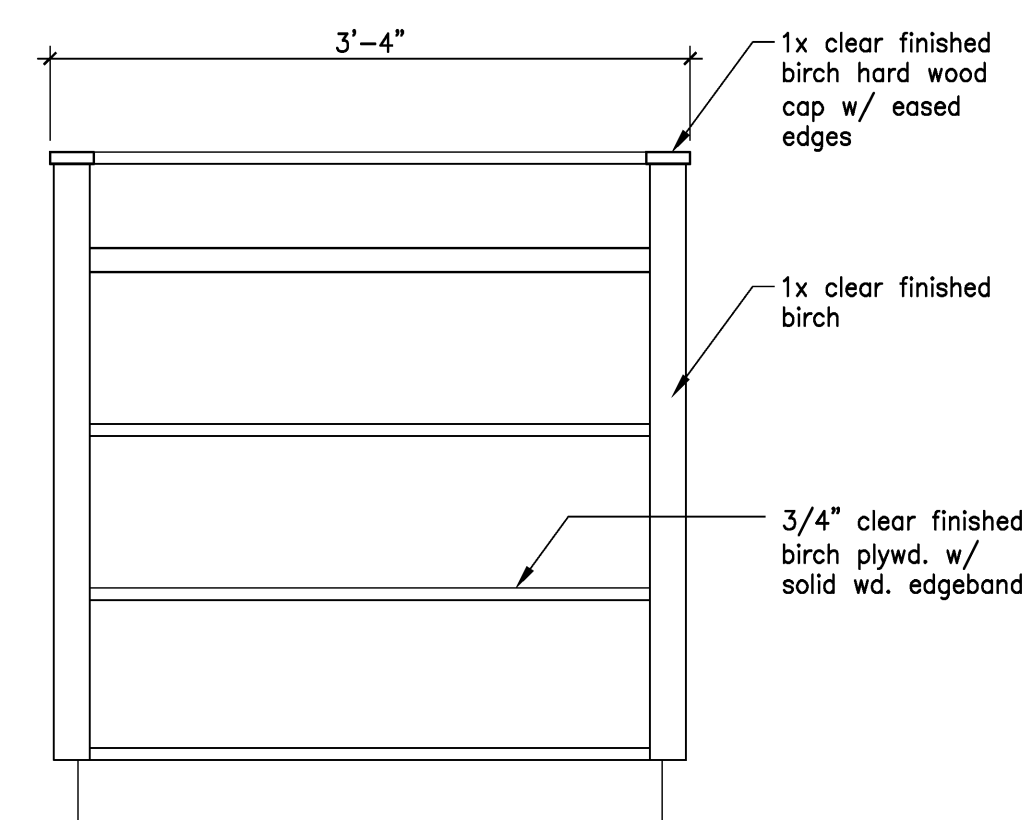
6 Fluorescent and Sound Absorption Detail - Alternate #12  
Scale: 3" = 1'-0"



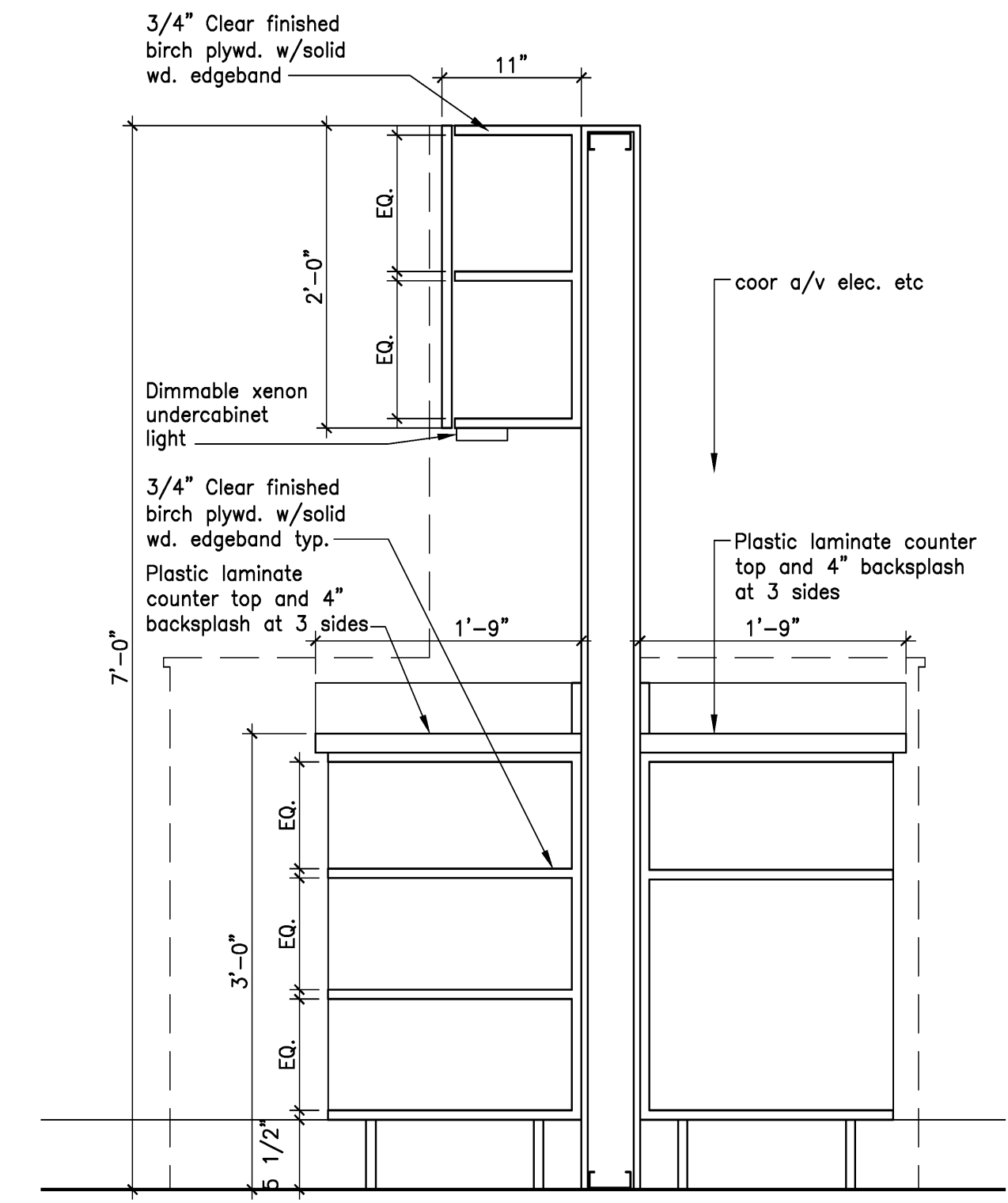
5 Back Bar Cabinet  
Scale: 1" = 1'-0"



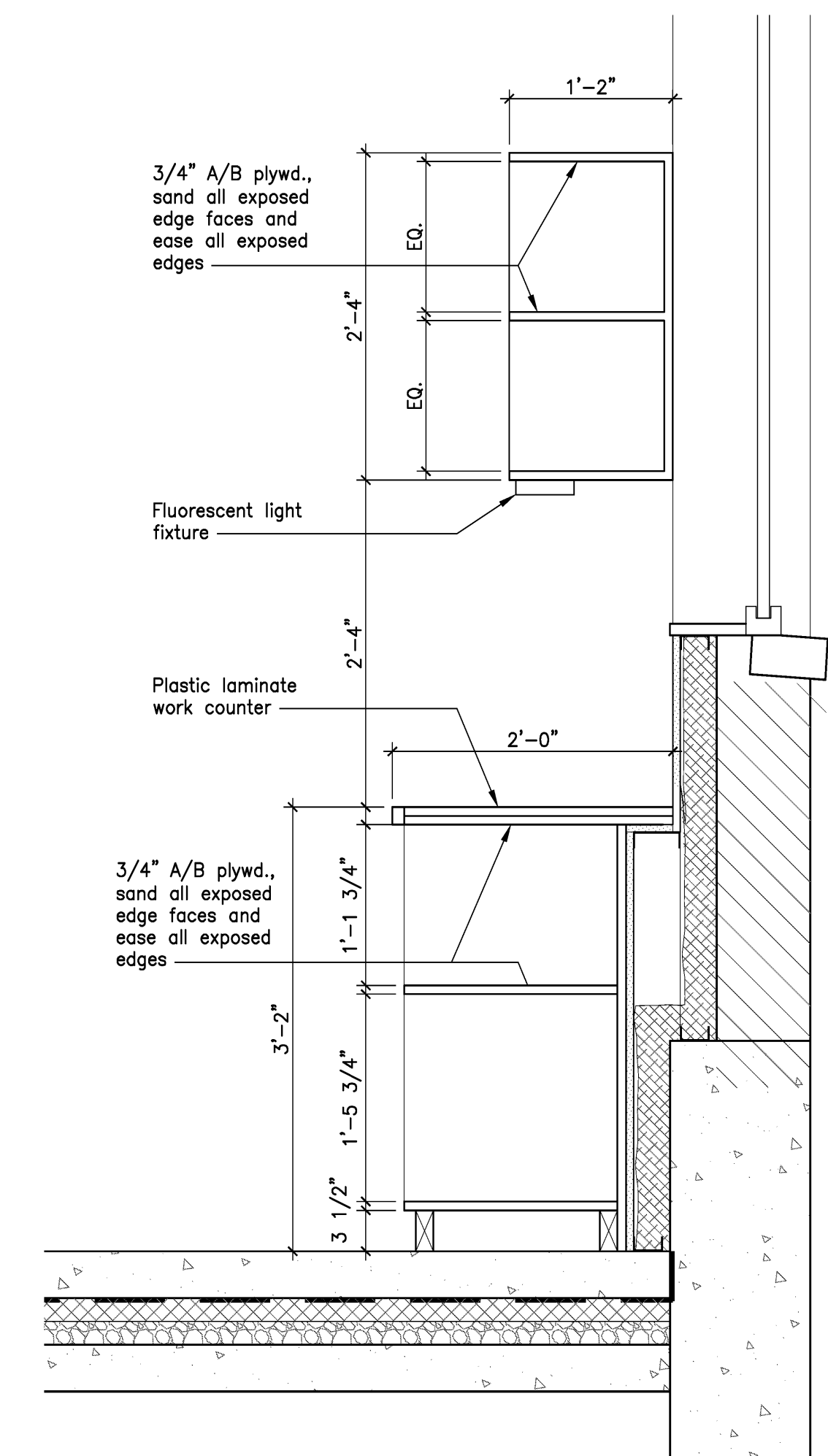
4 Section @ Lane Workstation  
Scale: 1" = 1'-0"



3 Elevation @ Lane Workstation  
Scale: 1" = 1'-0"



2 Section @ Wait Station/Sound Booth  
Scale: 1" = 1'-0"



1 Section @ Work Counter  
Scale: 1" = 1'-0"

Consultants

Casco Bay Engineering  
Structural Engineer

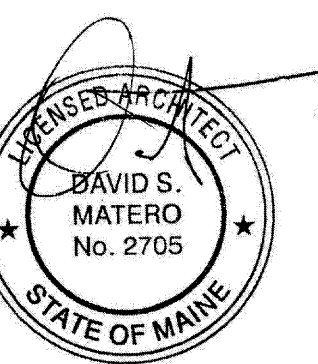
Casco Bay Engineering  
Civil Engineer

TJM Consulting  
Food Service

Urban Dwellings  
Interior Design

Revisions

Bowl Portland  
58 Alder Street Portland, Maine



Job Number: 09.017

Date: 07.Dec.09

Scale: As Noted

Drawing Title:

Casework /  
Millwork and  
Lighting  
Details

A9.5

Issue for Bid