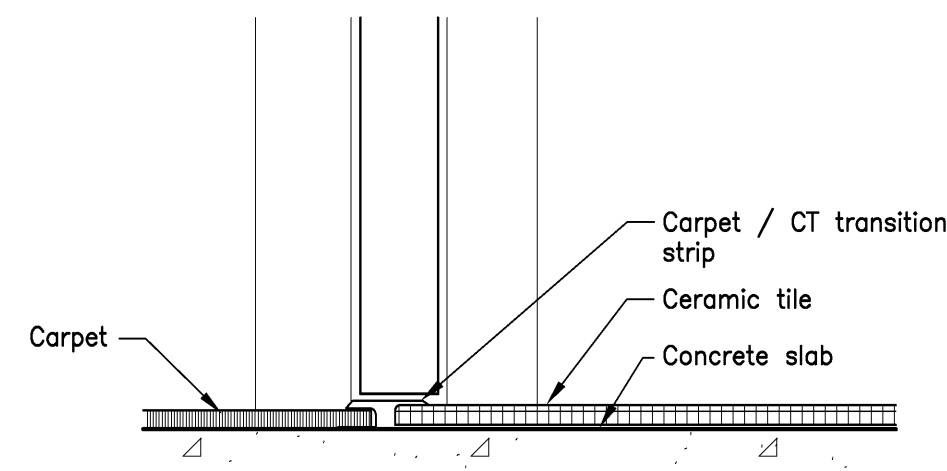
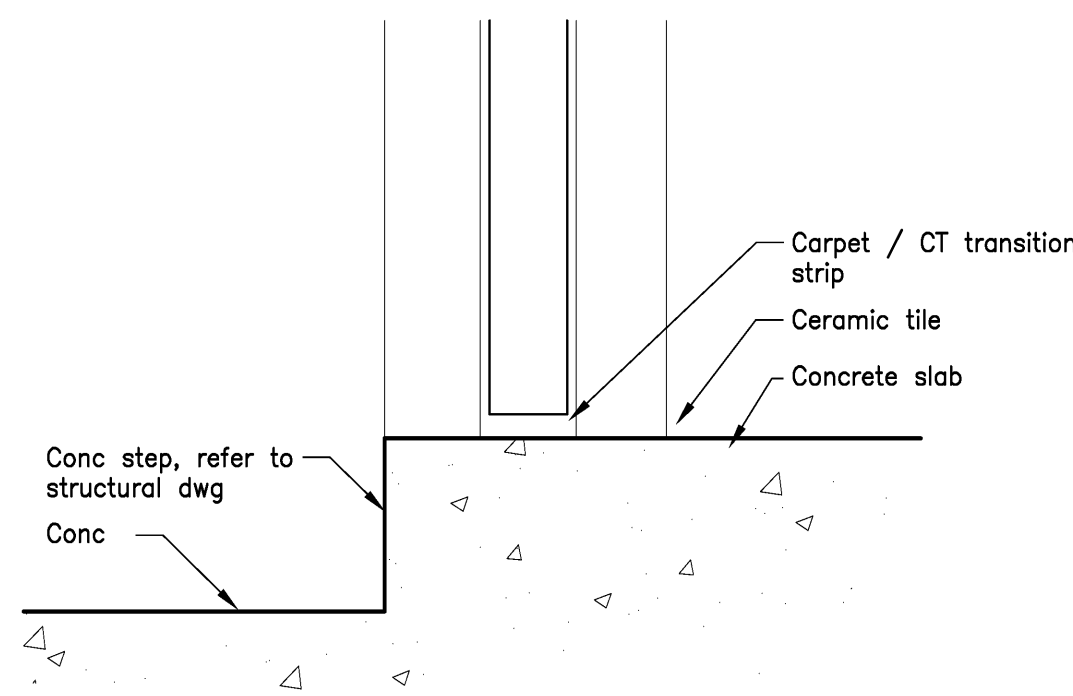


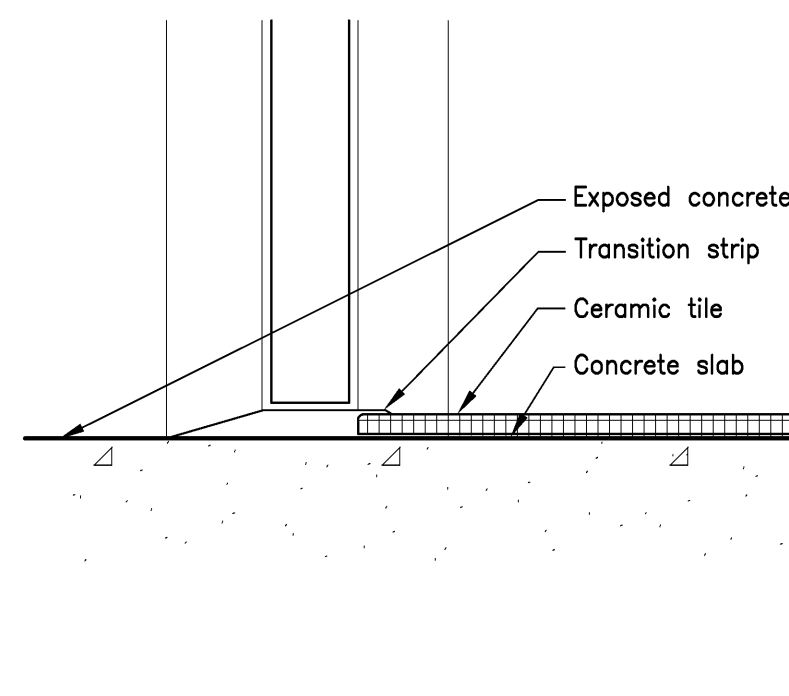
**B Ceramic Tile to Wood**  
Scale: 3" = 1'-0"



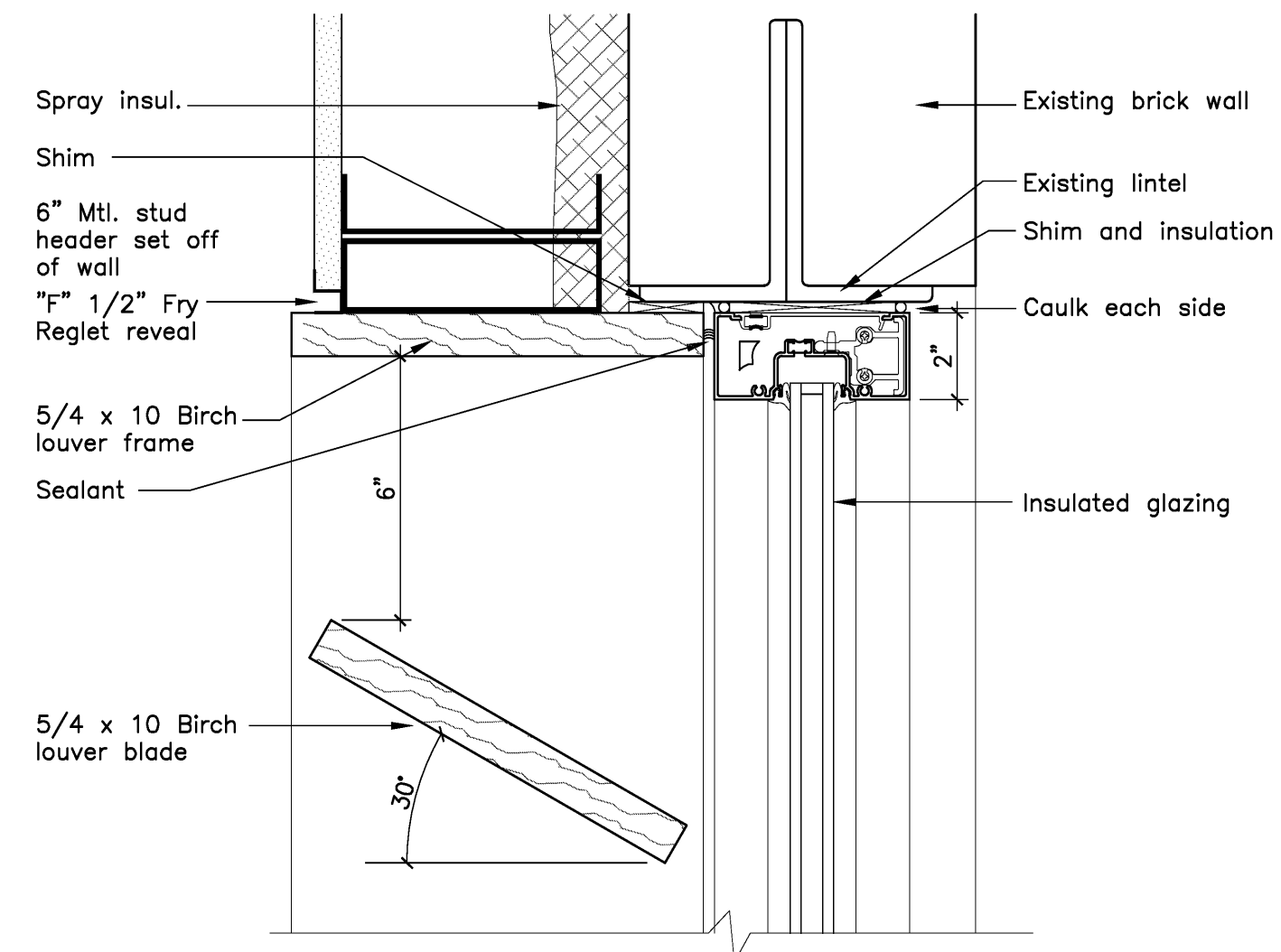
**A Carpet to CT**  
Scale: 3" = 1'-0"



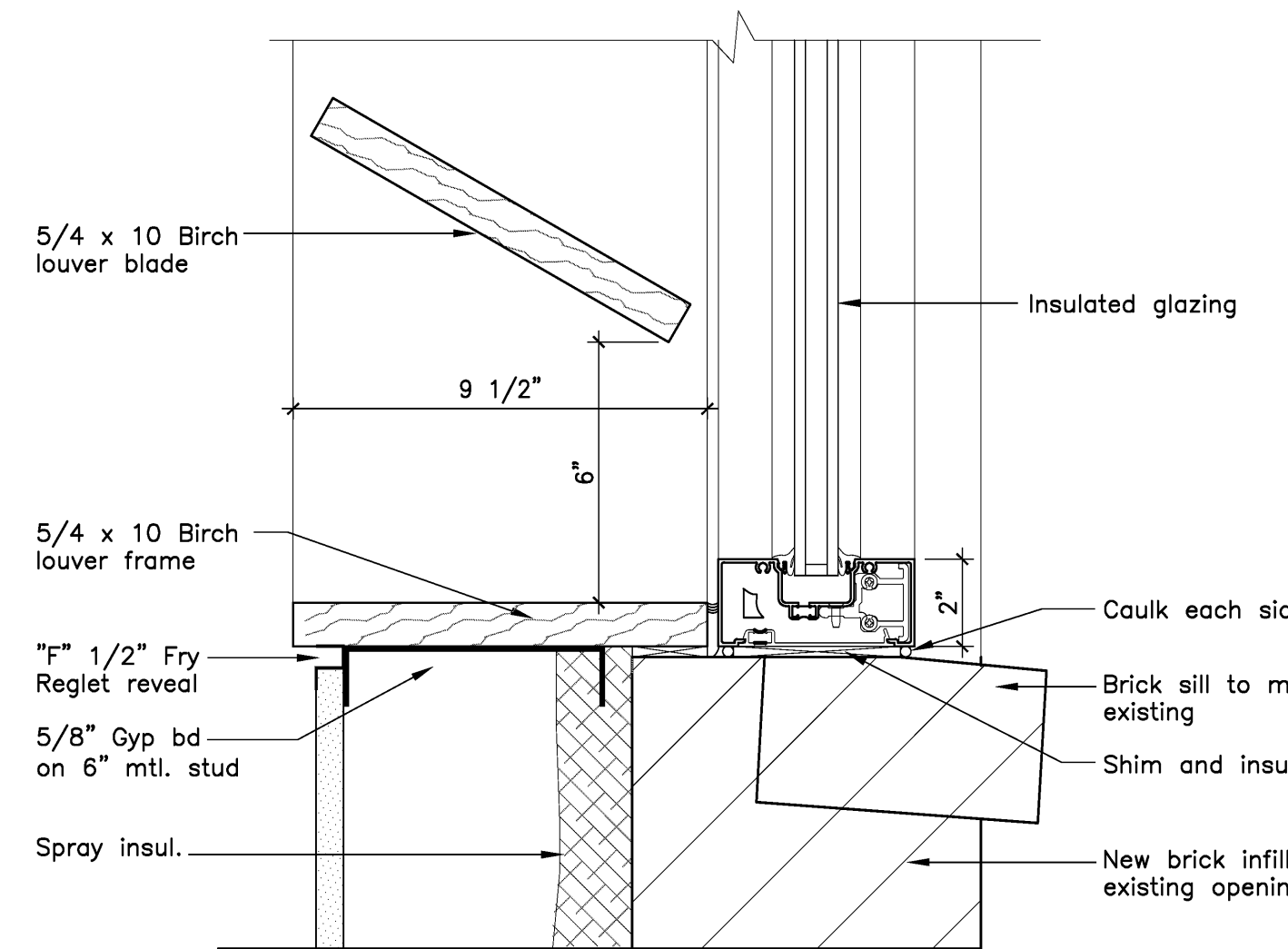
**D Carpet to CT**  
Scale: 3" = 1'-0"



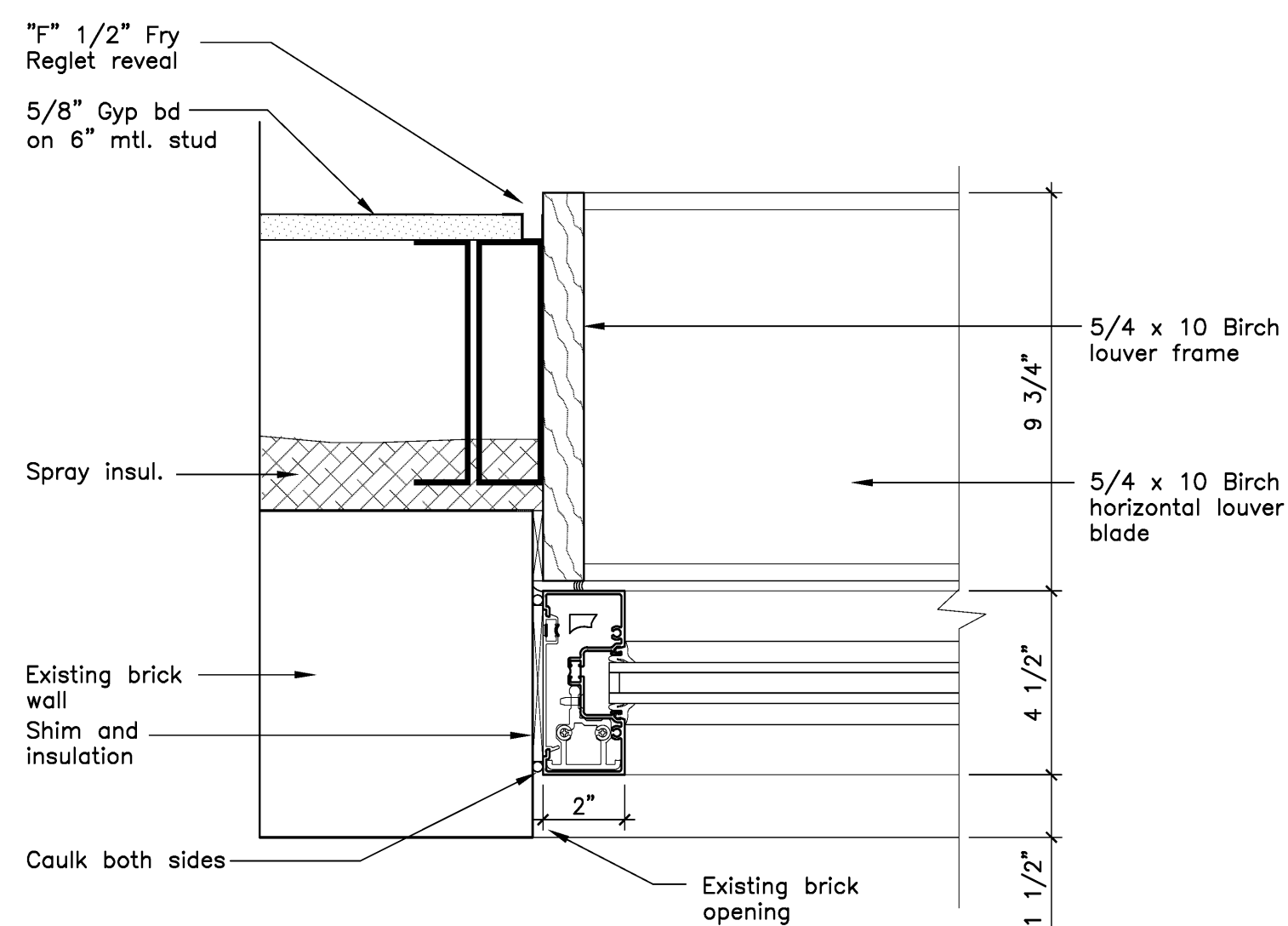
**C CT to Concrete**  
Scale: 3" = 1'-0"



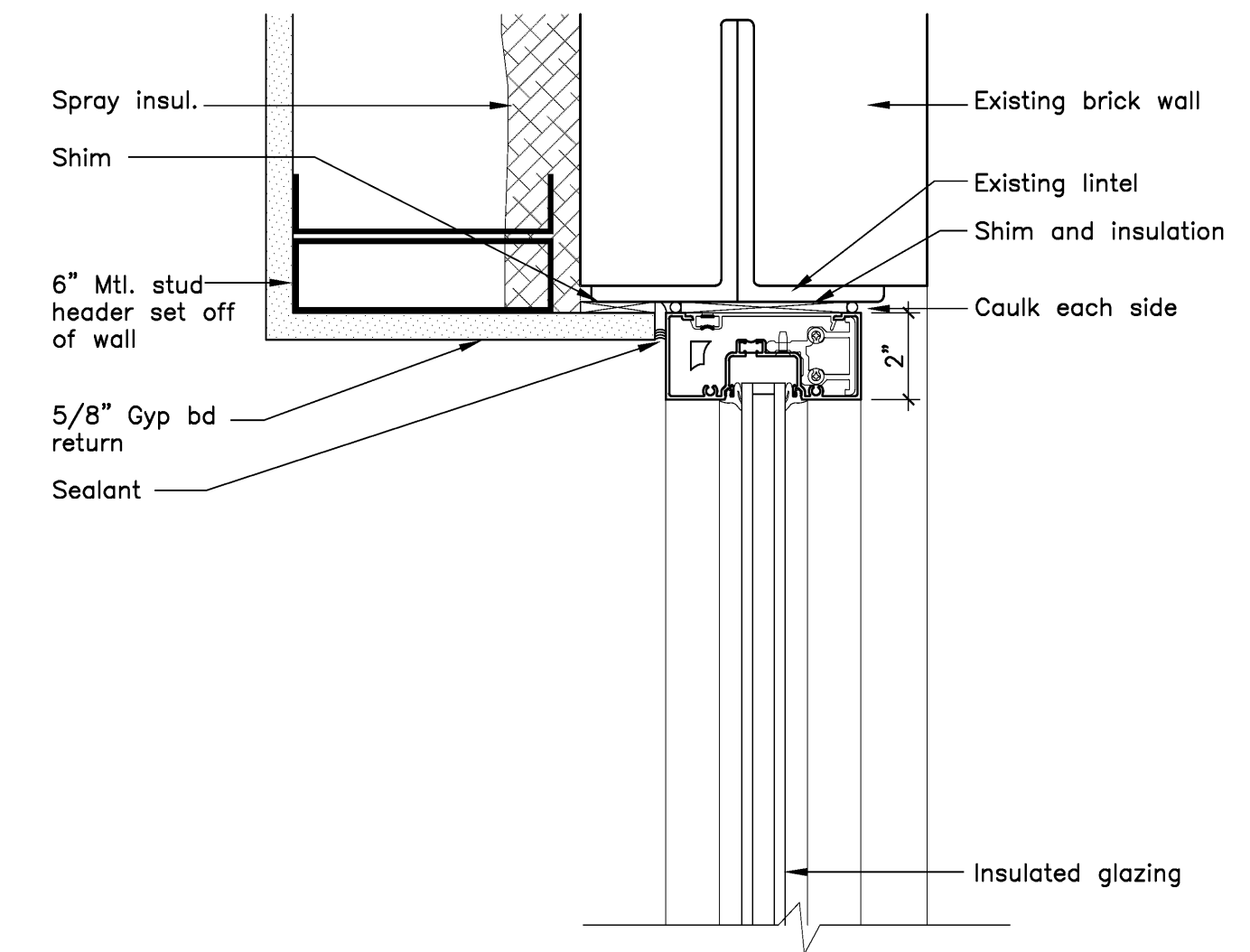
**1A Storefront Head Detail - Alternate #4**  
Scale: 3" = 1'-0"



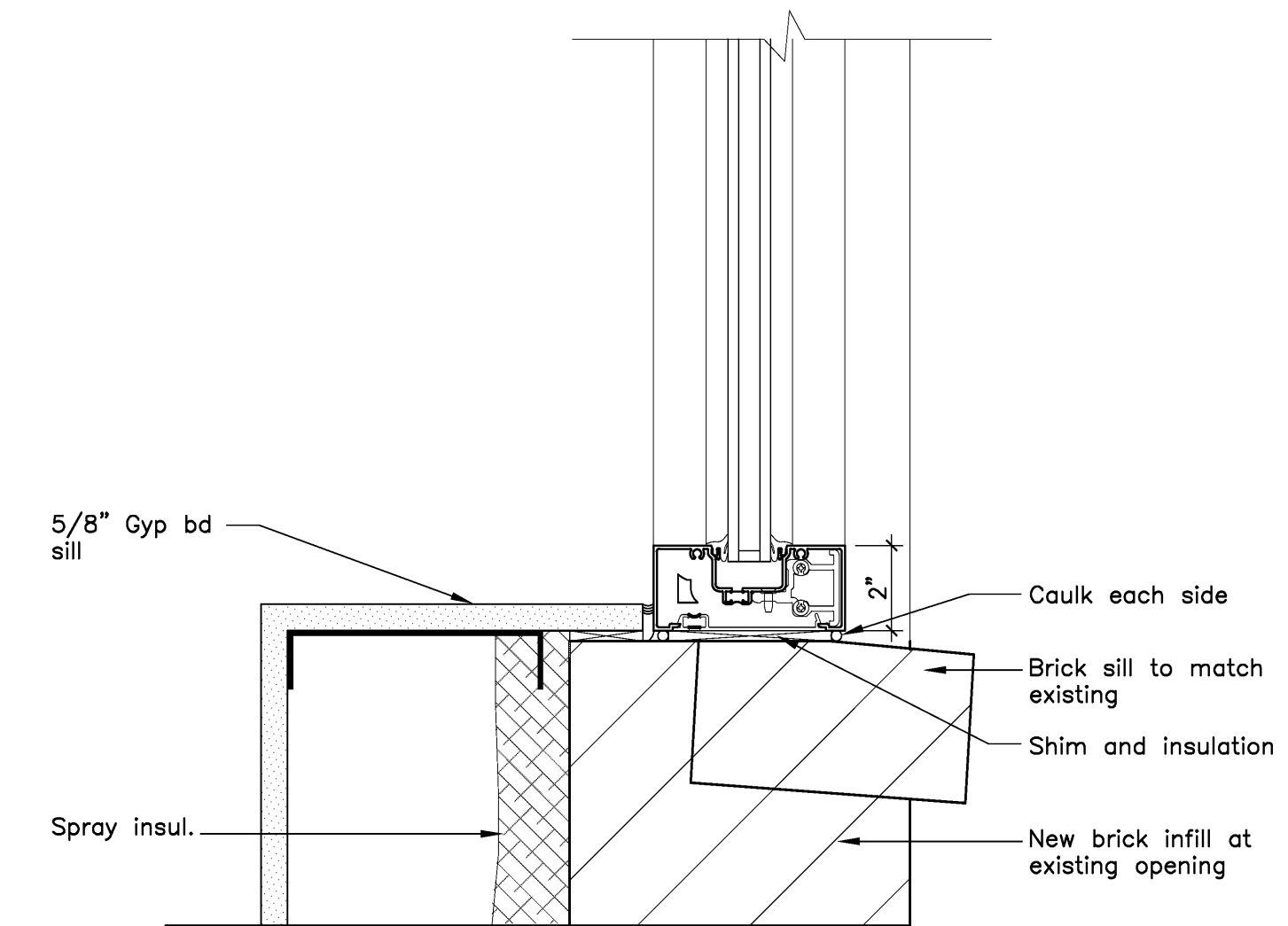
**2A Storefront Sill Detail - Alternate #4**  
Scale: 3" = 1'-0"



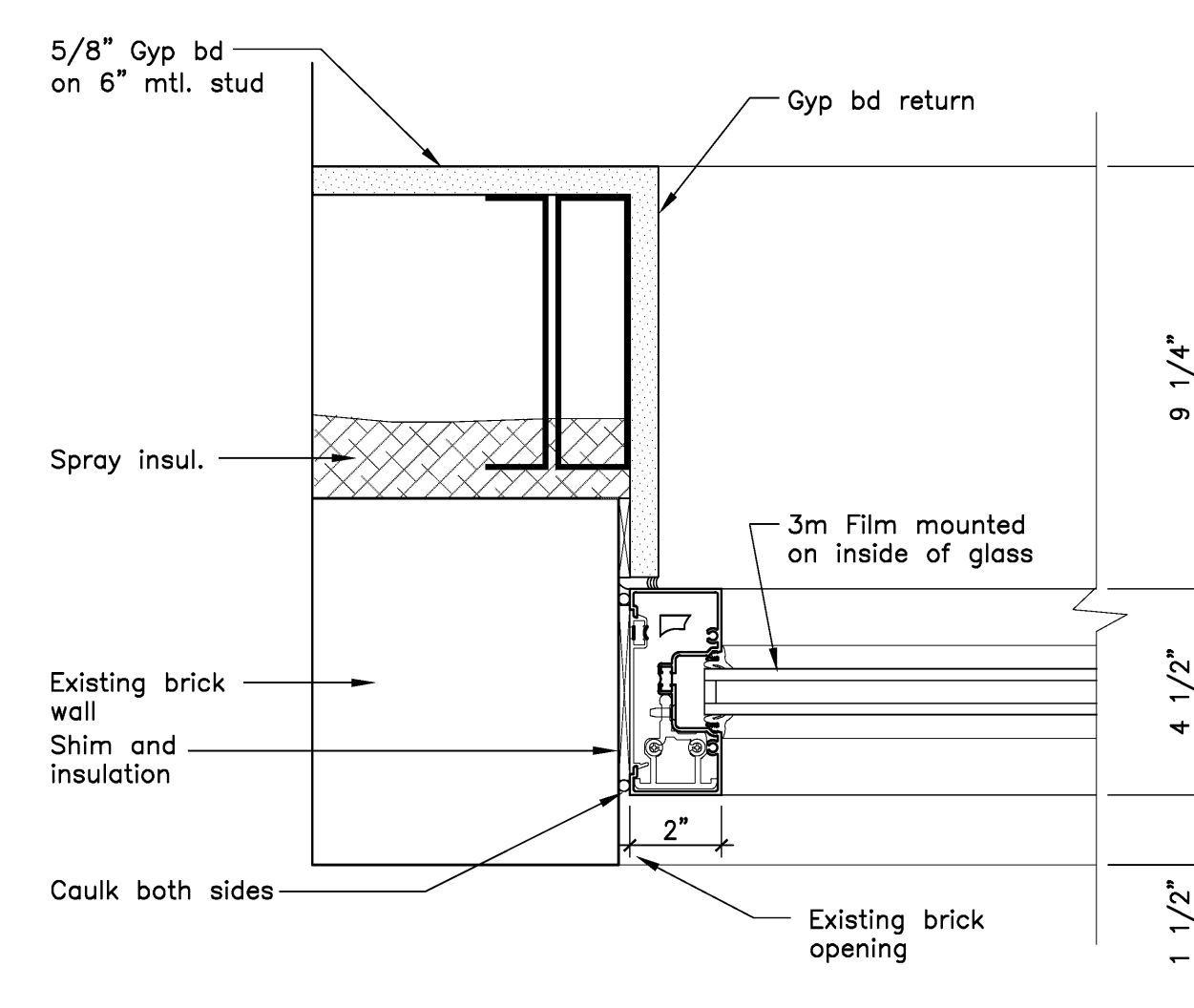
**3A Storefront Sill Detail - Alternate #4**  
Scale: 3" = 1'-0"



**1 Storefront Head Detail**  
Scale: 3" = 1'-0"



**2 Storefront Still Detail**  
Scale: 3" = 1'-0"



**3 Storefront Jamb Detail**  
Scale: 3" = 1'-0"