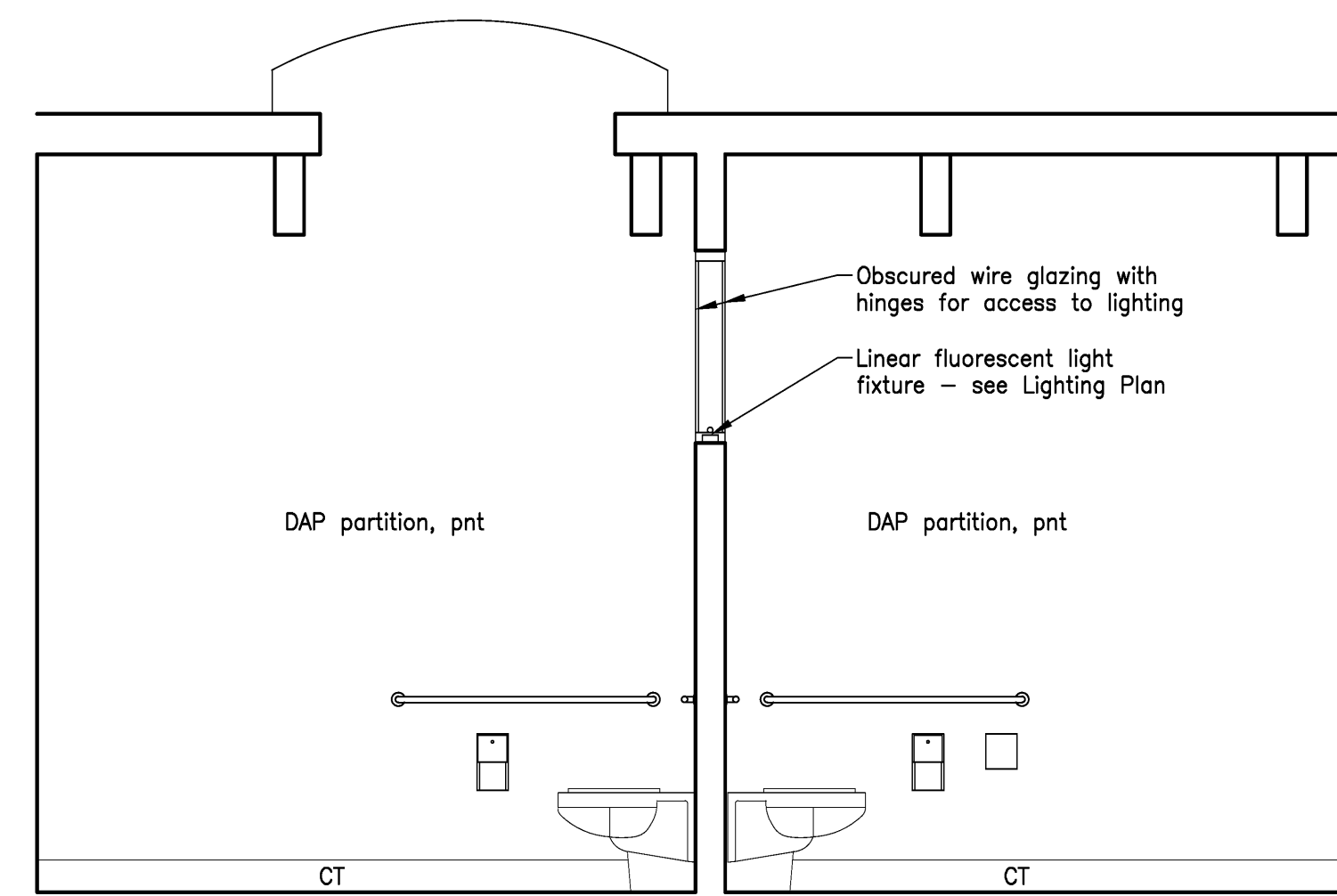
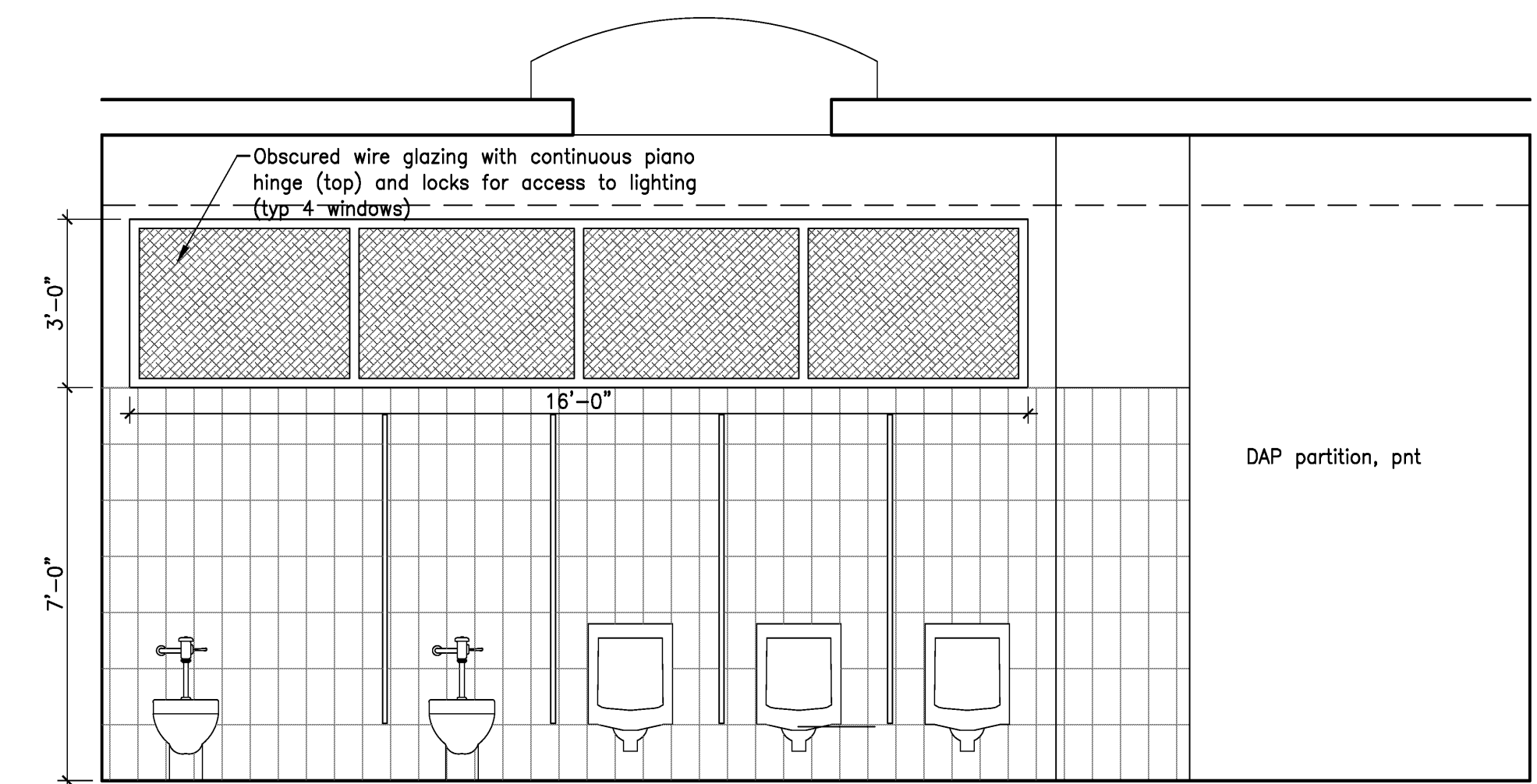


4 East Wall - Men's Room  
Scale: 3/8" = 1'-0"

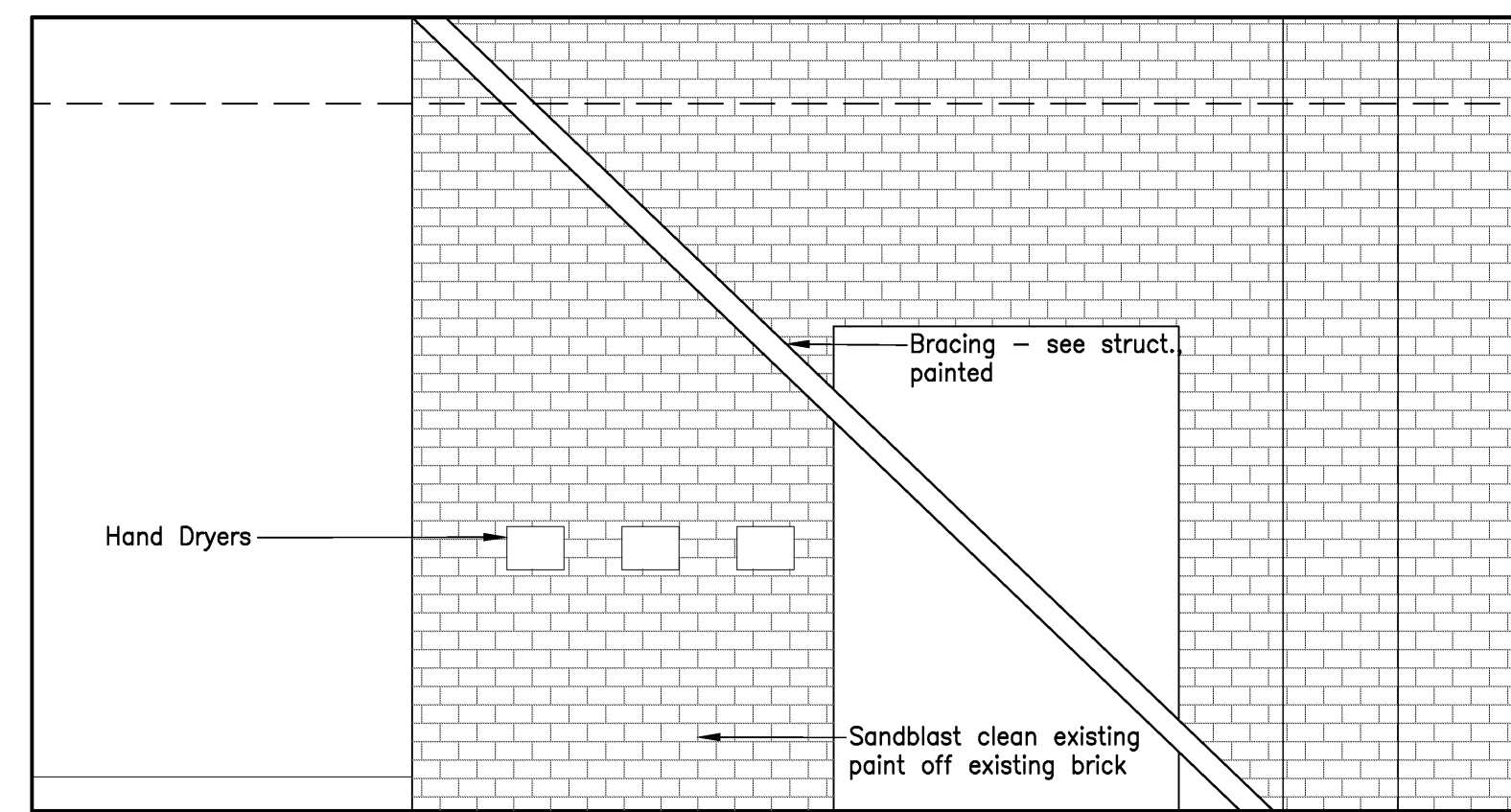


3 South Wall - Men's Room  
Scale: 3/8" = 1'-0"

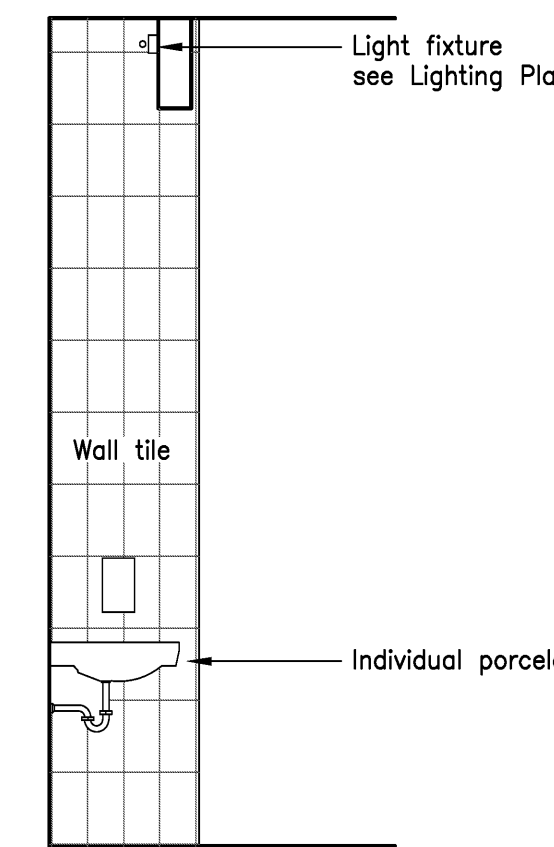
2 South Wall - Women's Room  
Scale: 3/8" = 1'-0"



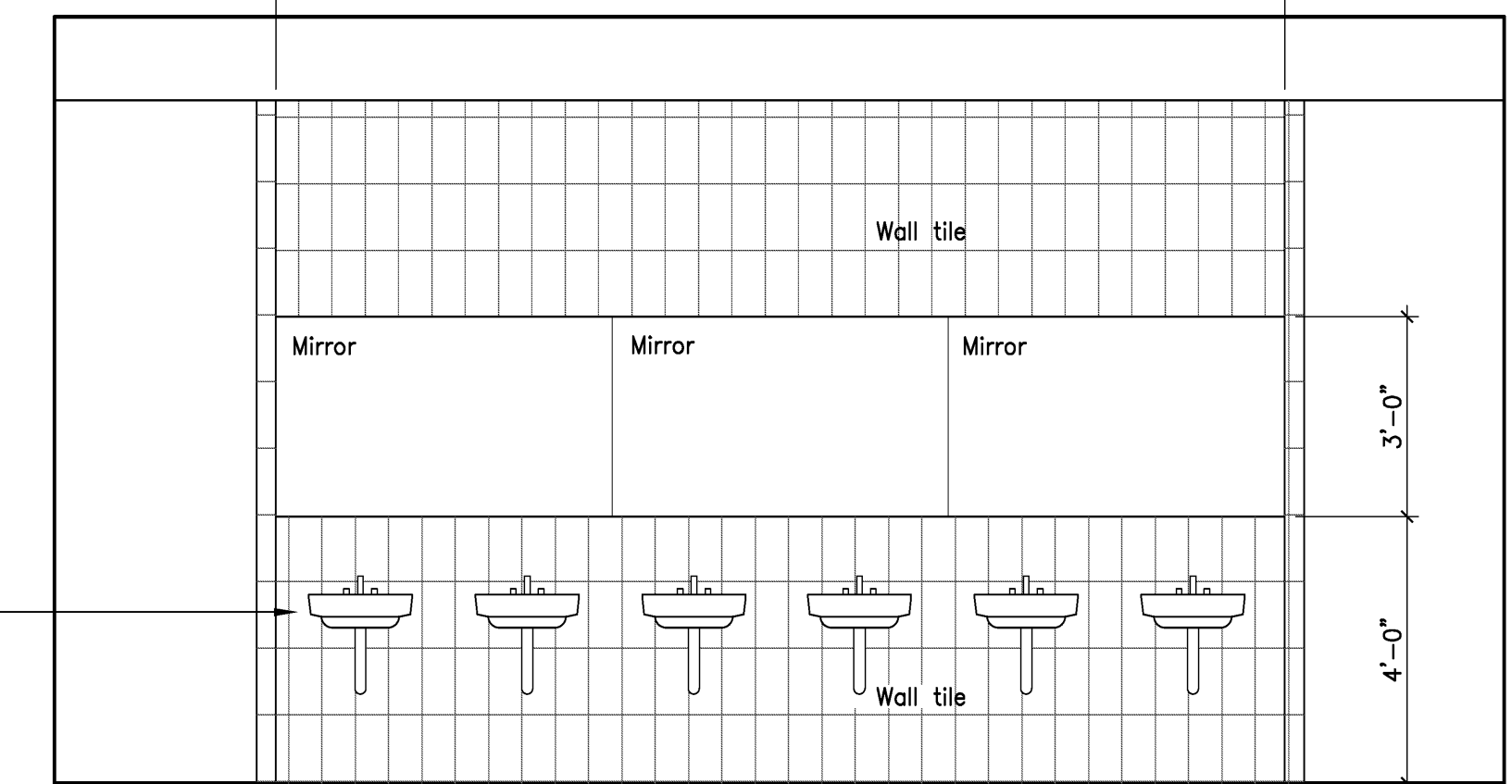
1 West Wall - Men's Room  
Scale: 3/8" = 1'-0"



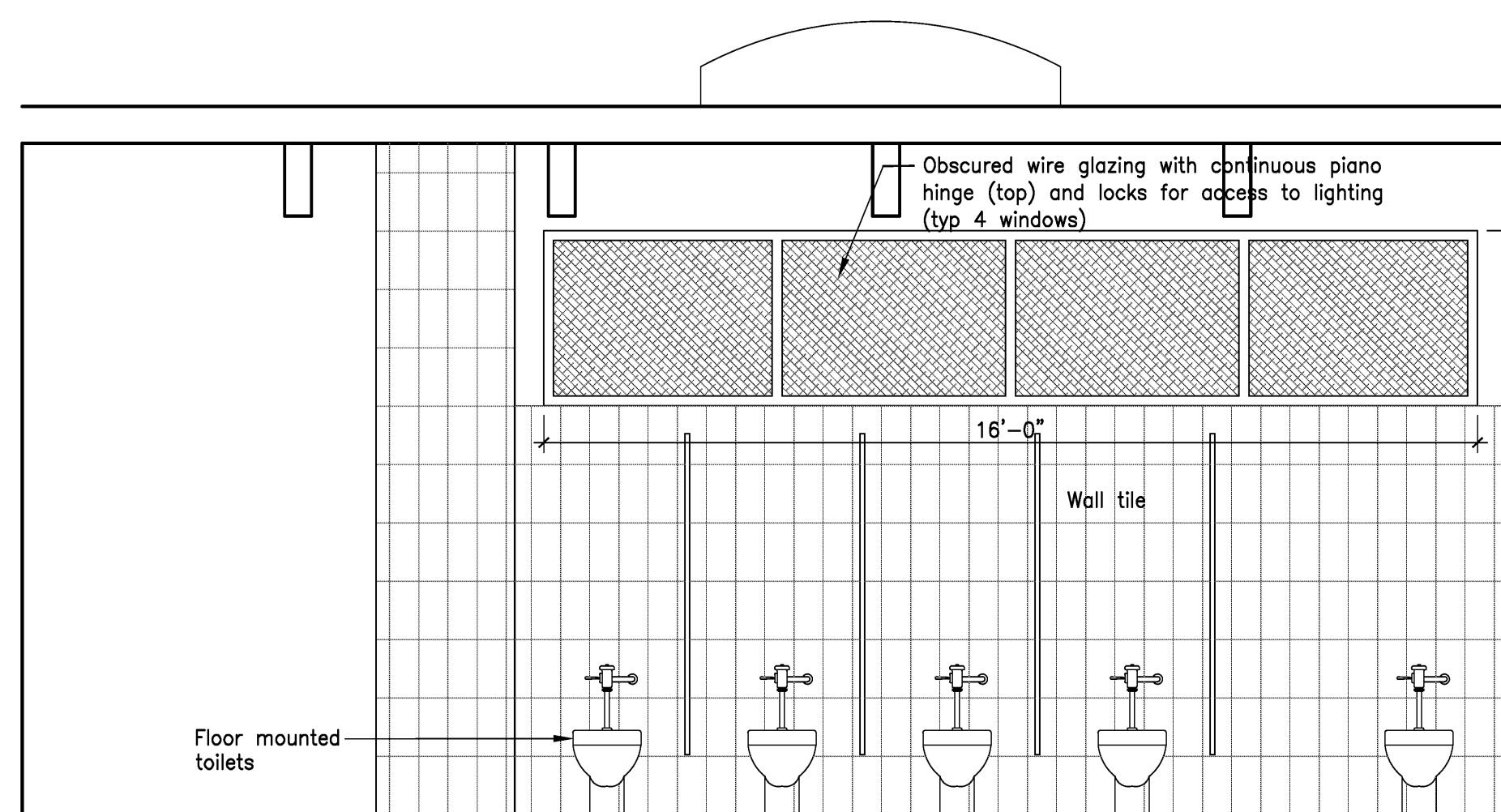
7 North Wall - Sink Room  
Scale: 3/8" = 1'-0"



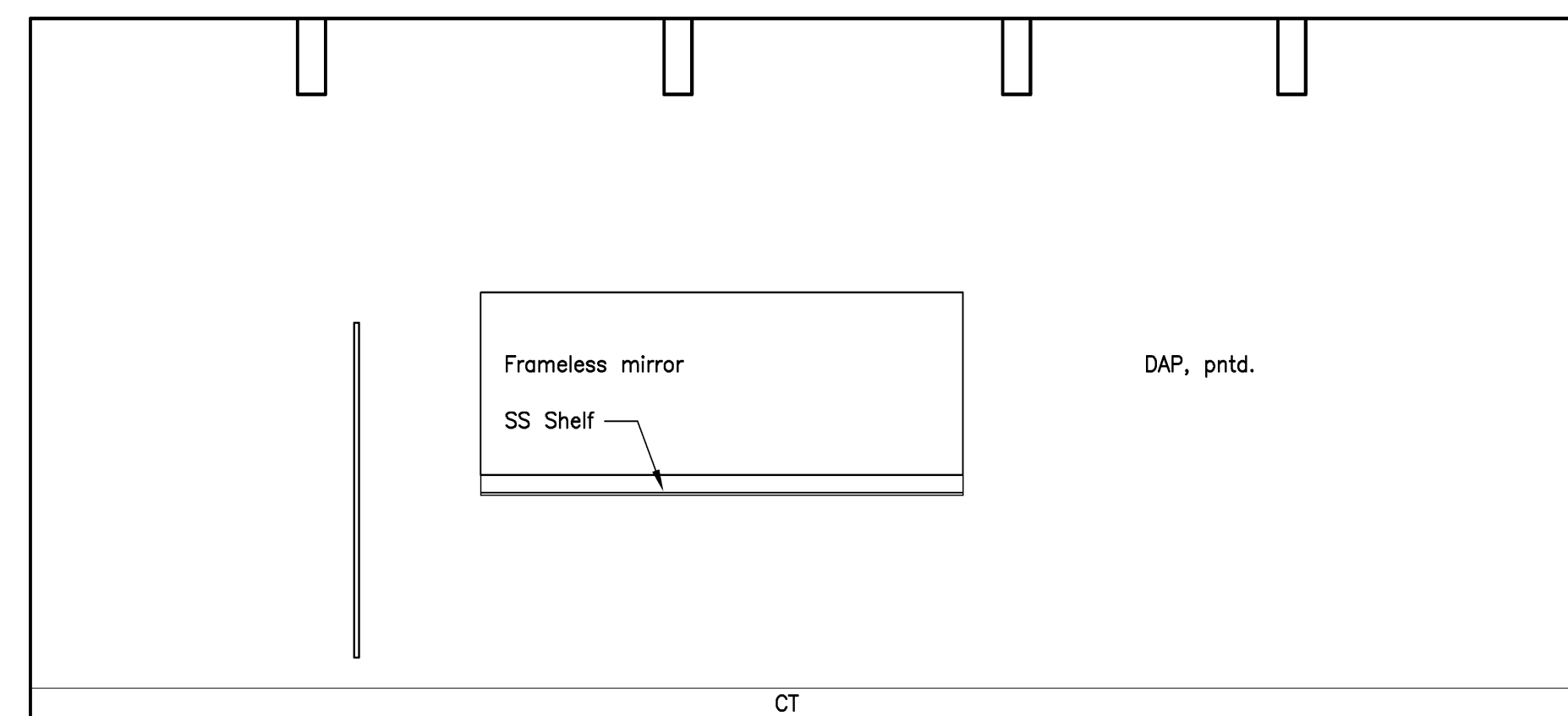
6 West Wall - Sink Room  
Scale: 3/8" = 1'-0"



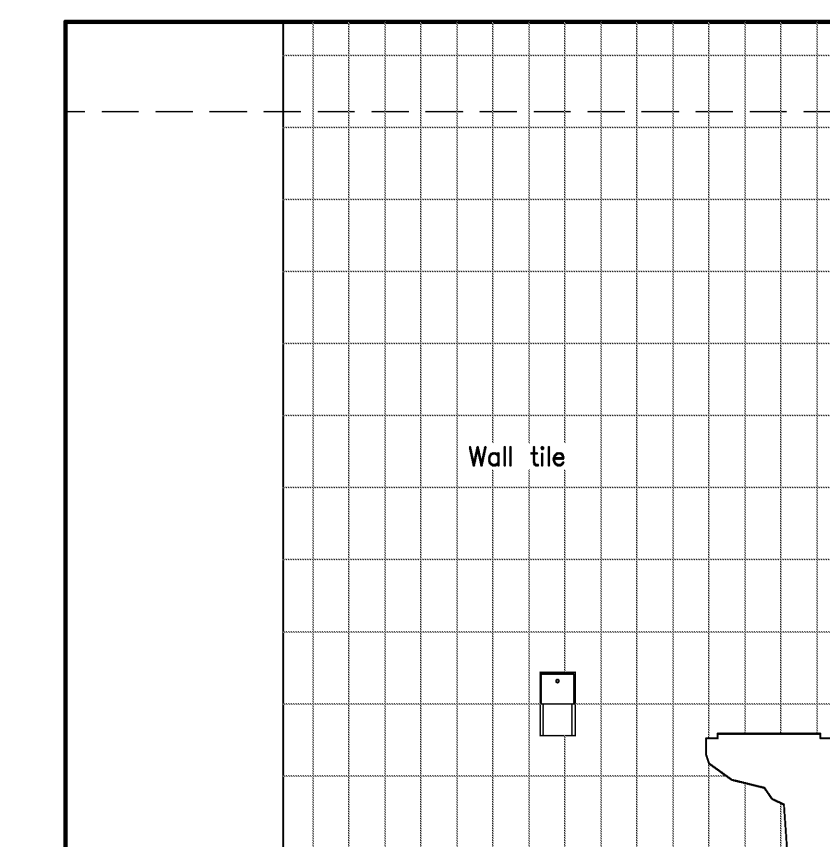
5 South Wall - Sink Room  
Scale: 3/8" = 1'-0"



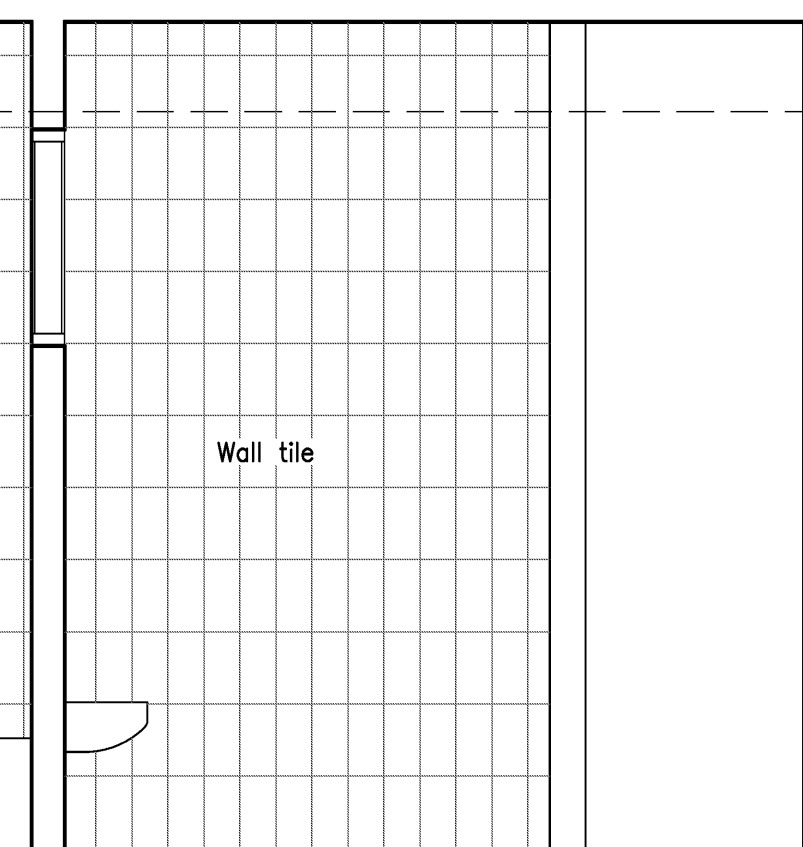
11 East Wall - Women's Room  
Scale: 3/8" = 1'-0"



10 West Wall - Women's Room  
Scale: 3/8" = 1'-0"



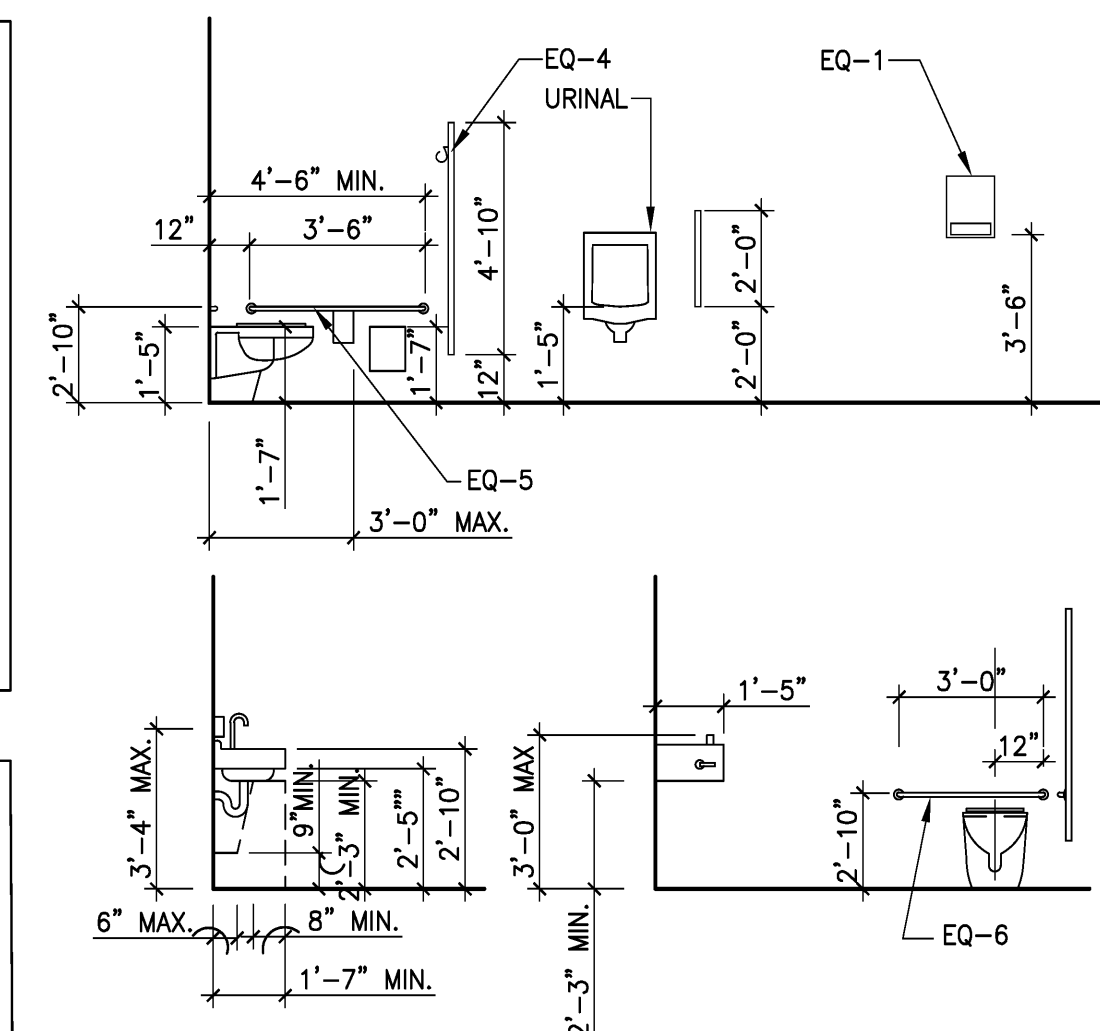
9 North Wall - Women's Room  
Scale: 3/8" = 1'-0"



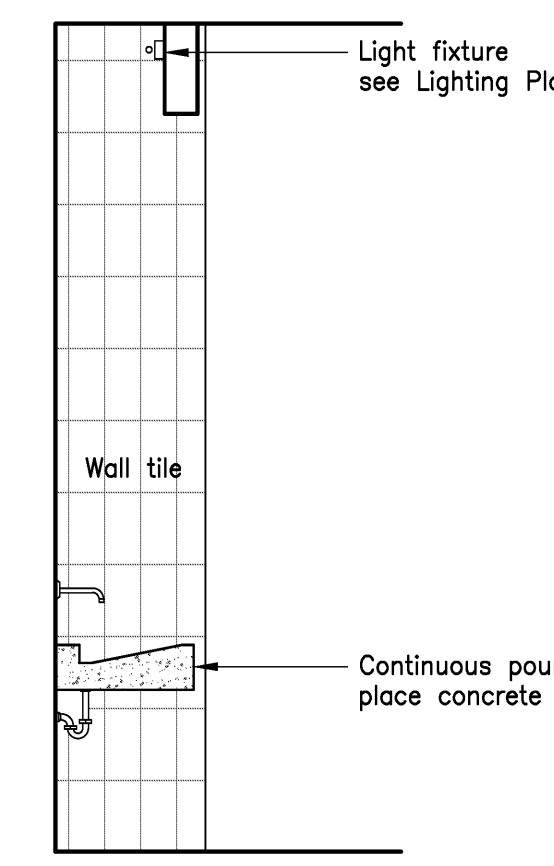
8 North Wall - Men's Room  
Scale: 3/8" = 1'-0"

TAG	FIXTURE SCHEDULE
EQ-1	Hands free electric Hand Dryer
EQ-2	Frameless Mirror
EQ-3	Surface mounted Soap dispenser, model # 6542 by Brodley
EQ-4	Clothes hook type B-233 by Bobrick - provide one at each stall
EQ-5	42" LONG 1 1/2" DIA. SS. GRAB BAR
EQ-6	36" LONG 1 1/2" DIA. SS. GRAB BAR

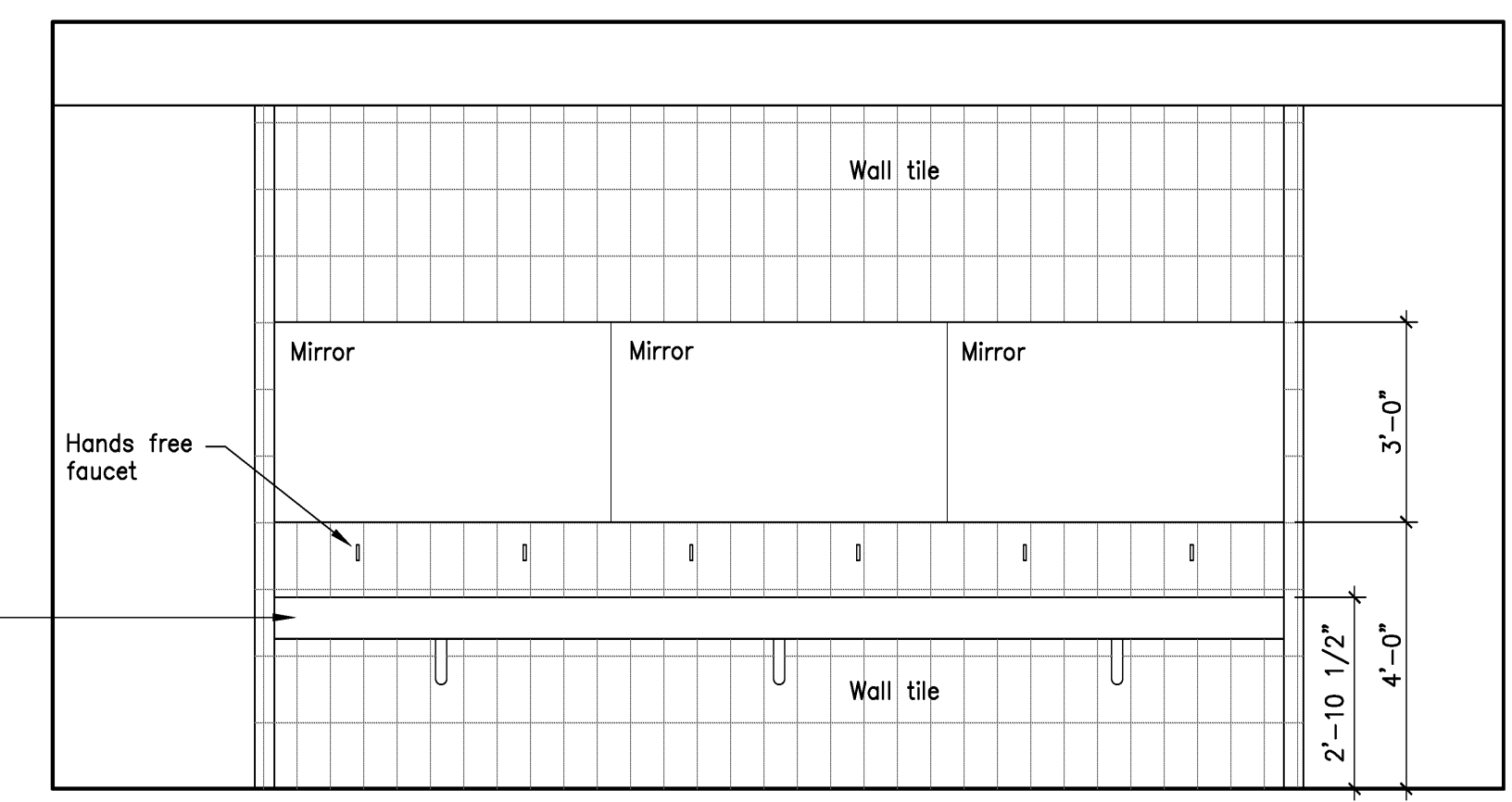
- REFER TO TYPICAL MOUNTING HEIGHT DETAILS, THIS SHEET.
- PROVIDE APPROPRIATE BLOCKING IN WALLS BEHIND ALL FIXTURES, PARTITIONS, AND ACCESSORIES.
- CONTRACTOR SHALL BE RESPONSIBLE FOR MEETING ADA GUIDELINES FOR HANDICAP ACCESSIBLE MOUNTING HEIGHTS.
- PROVIDE HANDS FREE (INFRARED) TOILETS AND FAUCETS IN NEW TOILET ROOMS.
- PROVIDE ONE SANITARY NAPKIN DISPOSAL IN EACH WOMEN'S STALL



A Elevation of Typ. Mounting Heights  
Scale: 1/4" = 1'-0"



13 West Wall - Sink Room - Alt.# 7  
Scale: 3/8" = 1'-0"



12 South Wall - Sink Room - Alt.# 7  
Scale: 3/8" = 1'-0"