

**LEGEND:**

RISER DIAG SYM	NFPA SYMBOL*	DESCRIPTION	CATALOG #
FACP	FACP	Fire Alarm Control Panel (existing)	EST IO500RD
BPS	FACU	Booster Power Supply	BPS10A
F	P	Addressable Manual Station	SIGA-278
?	?	Addressable Smoke Detector w/ Base	SIGA-PD SIGA-SB
?	?	Addressable Duct Smoke Detector	SIGA-SD
?	?	Addressable Heat Detector w/ Base	SIGA2-HFS SIGA-SB
RTS	RTS	Remote Test Switch	SD-TRK
PR1	PR1	Multi-Voltage Relay	PR1
CTx	AIM	Addressable Input Module (x Denotes Single or Double Input)	SIGA-CTx
CR	AOM	Addressable Control Module	SIGA-CR
☒ #	☒	Strobe Unit (Adjustable Candela)	G1RF-VM
☒ #	☒	Speaker/Strobe Unit (Wall Mount, Adjustable Candela)	G4HFRF-S7VM
☒ #	☒	Speaker/Strobe Unit (Ceiling Mount, Adjustable Candela)	GCHFRF-S7VM

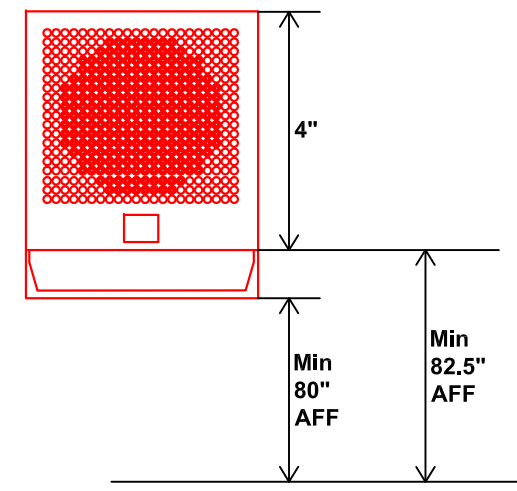
\* NFPA 170 (2009)  
Tables: 6.5, 6.7.1, 6.7.2, & 6.7.3

**GENERAL NOTES:**

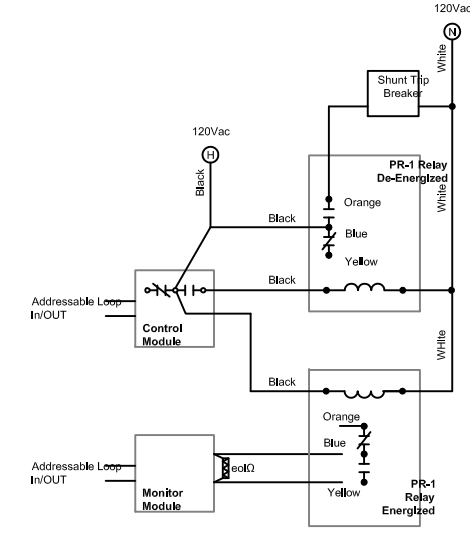
1. ALL WIRING IN ACCORDANCE WITH NATIONAL ELECTRICAL CODE, THE STATE OF MAINE, AUTHORITY HAVING JURISDICTION, CITY OF PORTLAND, AND MANUFACTURER'S REQUIREMENTS AND RECOMMENDATIONS.

**WIRING NOTES:**

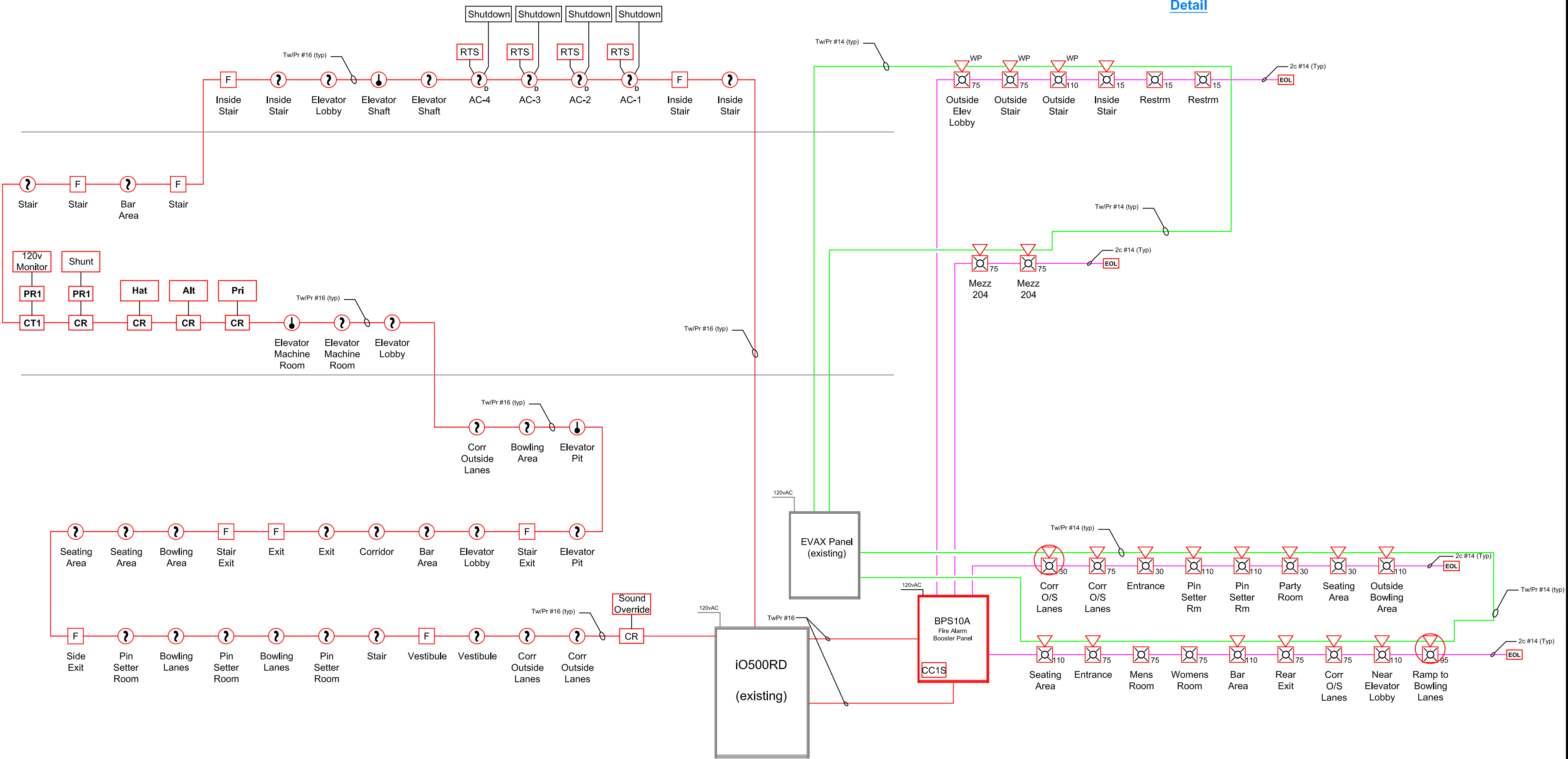
1. ALL ADDRESSABLE DEVICES MUST BE INSTALLED IN A HEATED LOCATION.
2. ADDRESSABLE CONTROL RELAYS (CR or MCR) SHALL SWITCH ONLY 12/24V (AC/DC) @ 2.0 Amps OR LESS. SWITCHED CIRCUITS REQUIRING HIGHER VOLTAGE SHALL USE AN INTERMEDIATE LISTED FOR THE PURPOSE.
3. Addressable loop consists of (1) 2c #16 Twisted Non-shielded from FACP to 1st device; (1) 2c #16 Twisted Non-shielded through remaining devices on circuit and return to FACP. Maintain proper separation between feeds and returns.
4. Strobe circuits consist of 2c #14 from FACP/BPS to 1st device; 2c #14 through remaining devices on circuit to end at end of line resistor.
5. Speaker circuit wiring consists of (1) 2c #14 Twisted Non-shielded from EVAX Panel to 1st device; (1) 2c #14 Twisted Non-shielded through remaining devices on circuit and return to EVAX Panel. Maintain proper separation between feeds and returns. Tap speakers at 1 Watt unless otherwise noted.



**Indoor Speaker Strobe Detail**



**Elevator Shunt Trip Connection Detail**



DWG NAME: **Add to Bayside Bowl**  
**58 Adler Street**  
**Portland, ME**  
**Fire Alarm Riser Diagram**  
 DWG No: FA-001

**R.B. Allen Co., Inc.**  
 P.O. BOX 170  
 131 LAKE STREET  
 NO. HAMPTON, NH 03862  
 1-800-256-7284

EDWARDS SYSTEM TECHNOLOGY

JOB NAME: **Addition to Bayside Bowl**  
**58 Adler Street**  
**Portland, Maine**  
**Fire Alarm Riser Diagram**  
 Contractor: **Corey Electric, Inc.**

SCALE:	NTS	PO No.	TRD	IRW/D:
0	Original Issue	1/17	KMB	
REV.	DESCRIPTION	DATE	DRWN:	

PO No. **Addition to Bayside Bowl**  
**58 Adler Street**  
**Portland, ME**  
**Fire Alarm Riser Diagram**  
 DWG No. FA-001