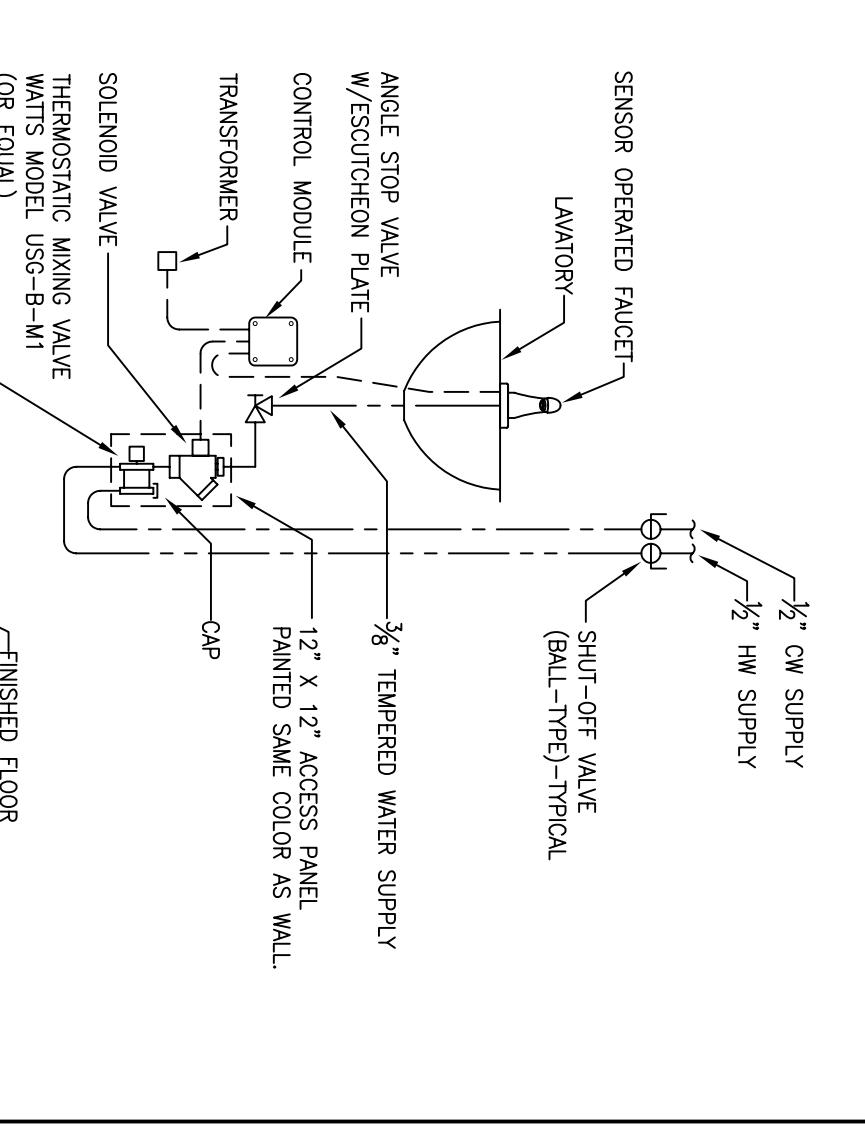
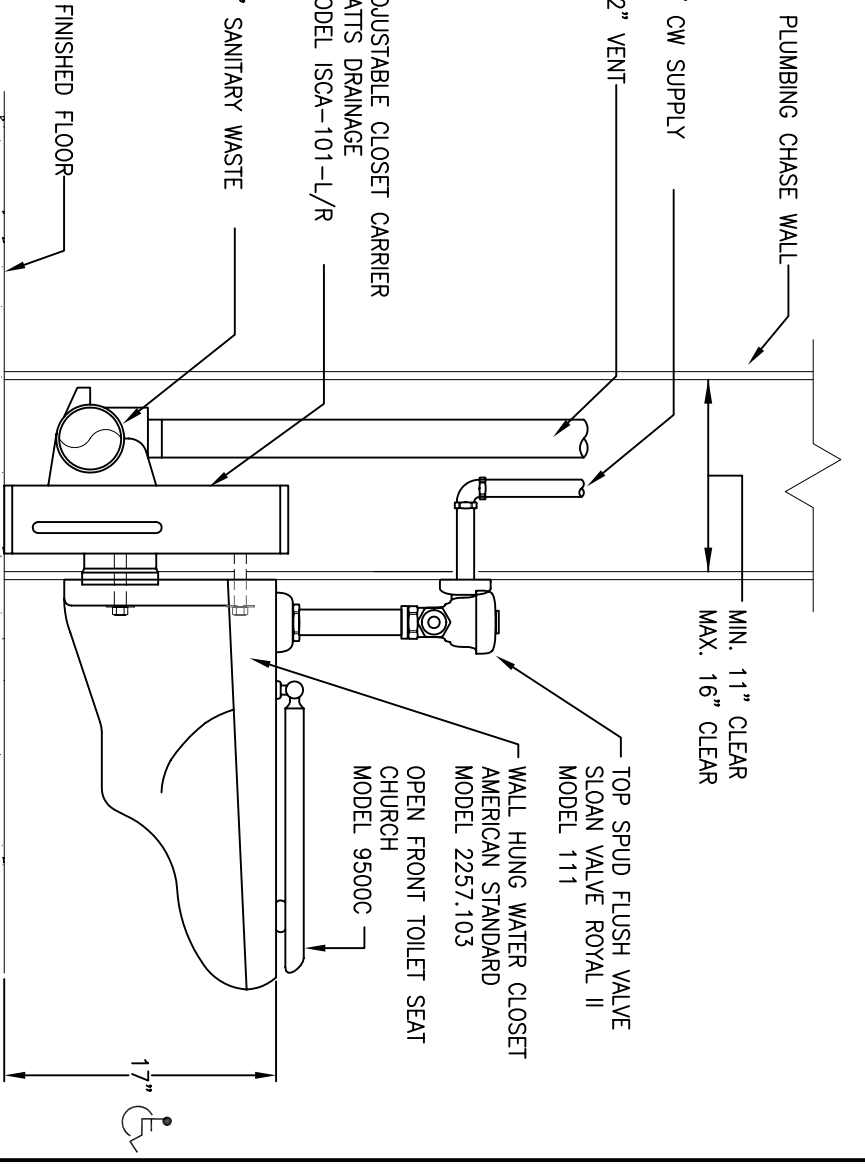


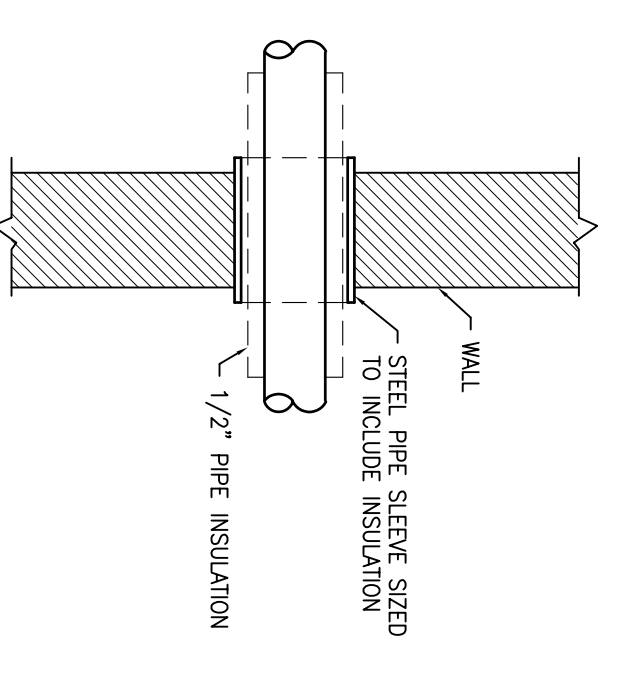
TYPICAL SINK PIPING DIAGRAM
NO SCALE



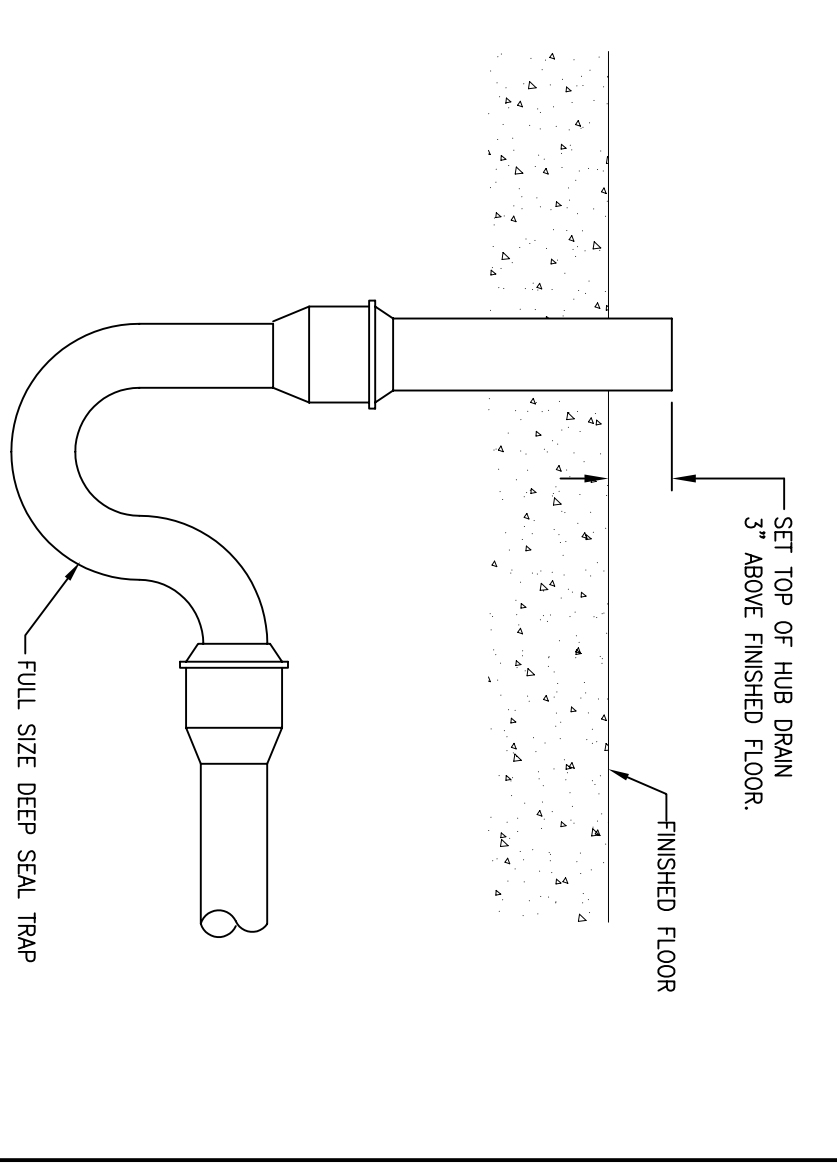
TYPICAL SINK PIPING DIAGRAM WITH SENSOR OPERATED FAUCET
NO SCALE



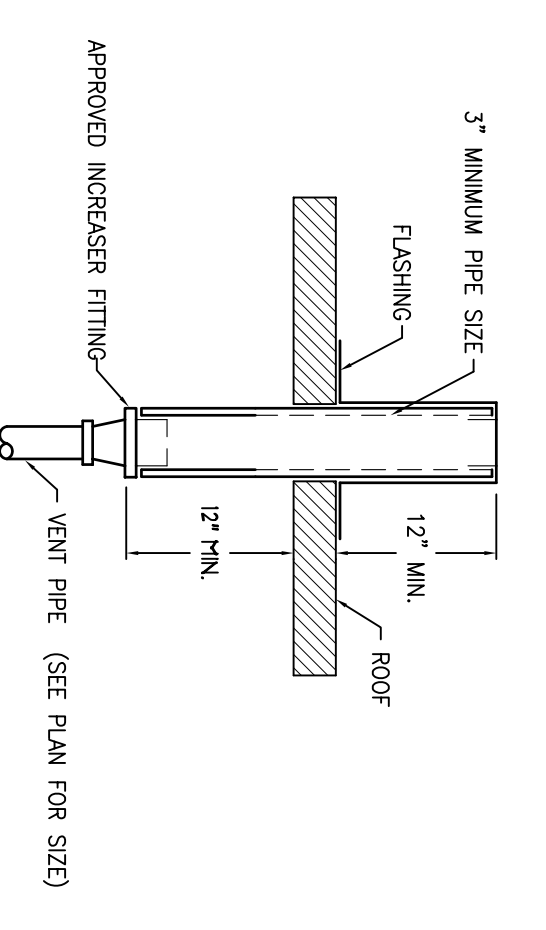
WATER CLOSET INSTALLATION DETAIL
NO SCALE



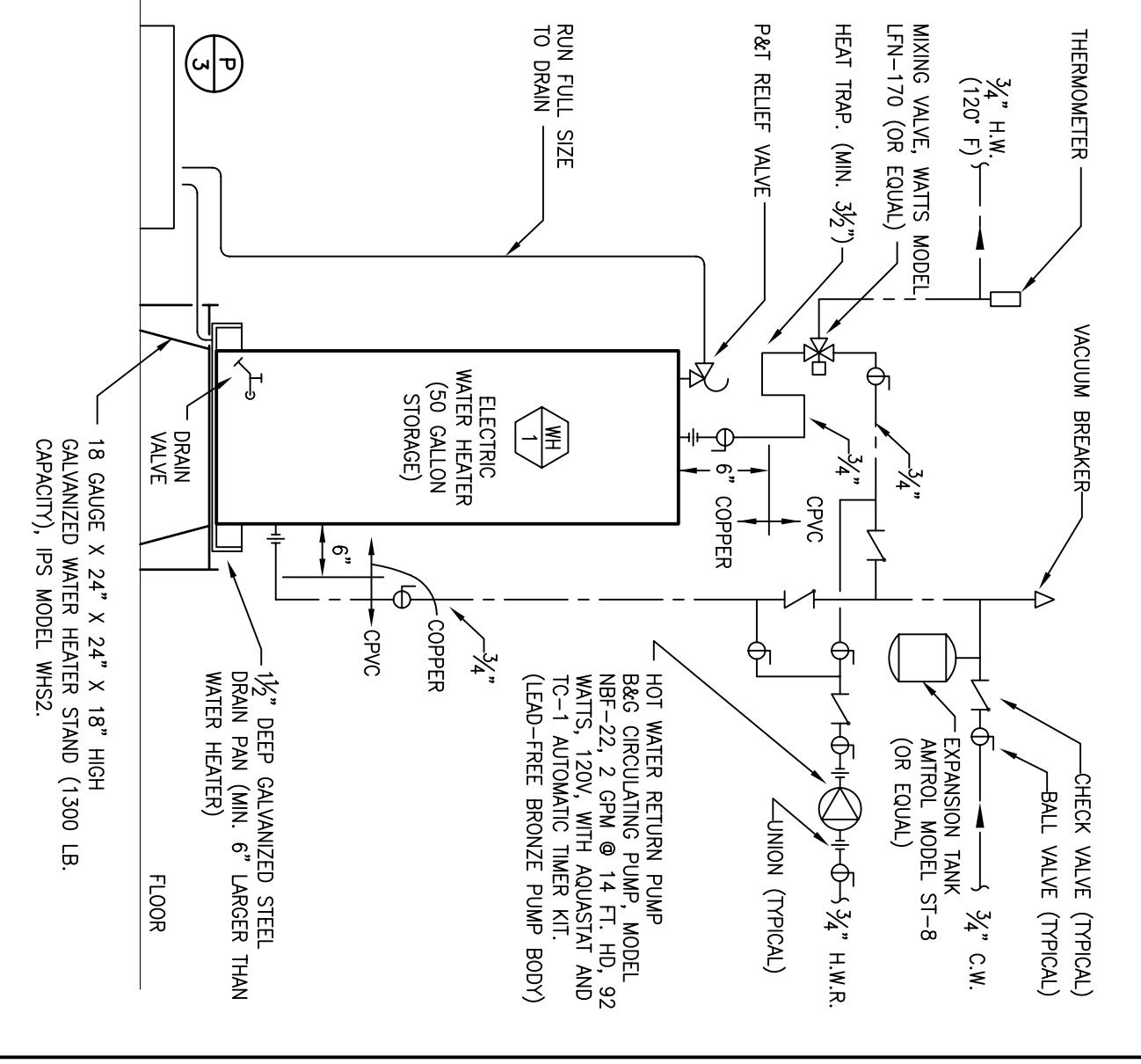
PIPE SLEEVE DETAIL
NO SCALE



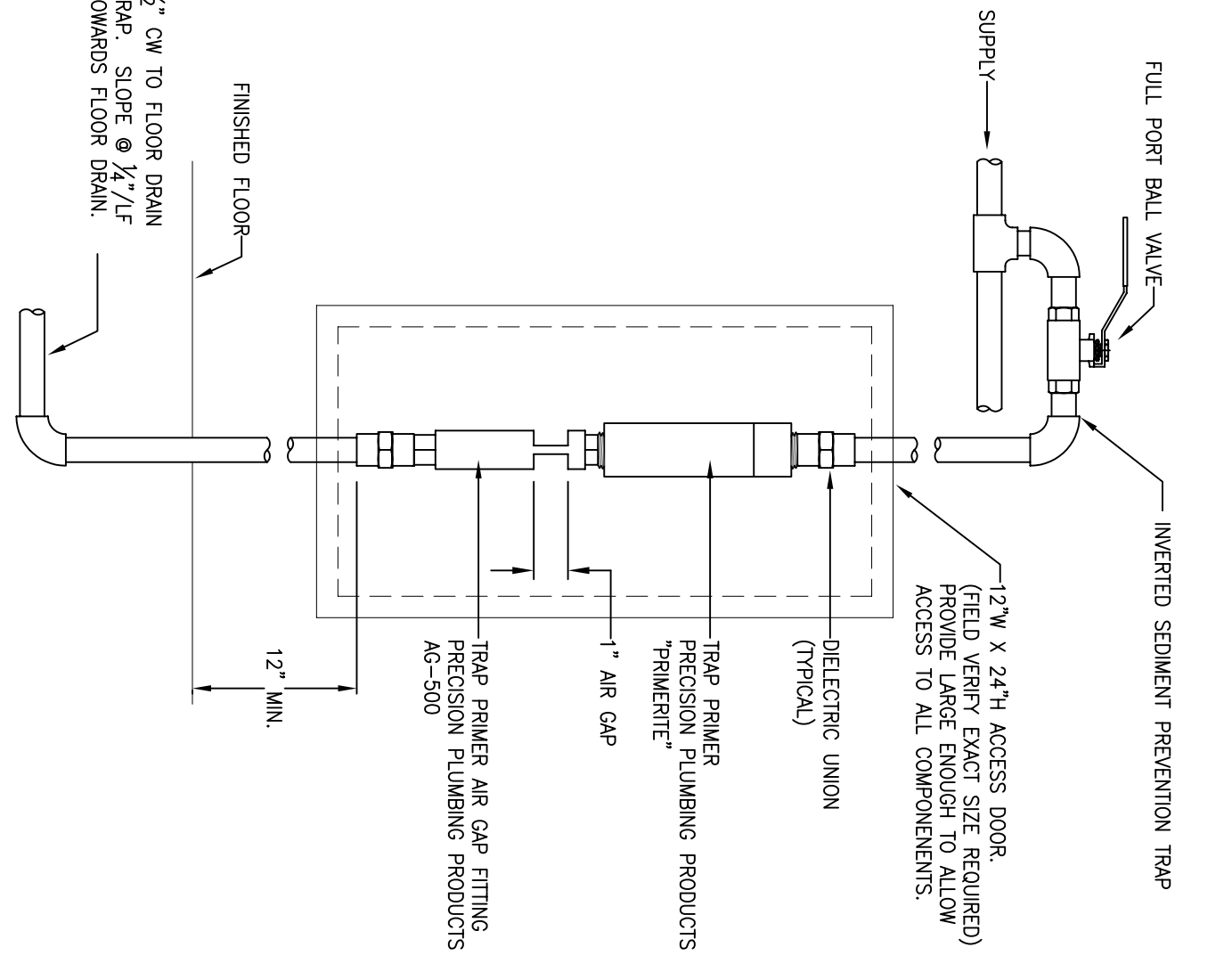
HUB DRAIN DETAIL
NO SCALE



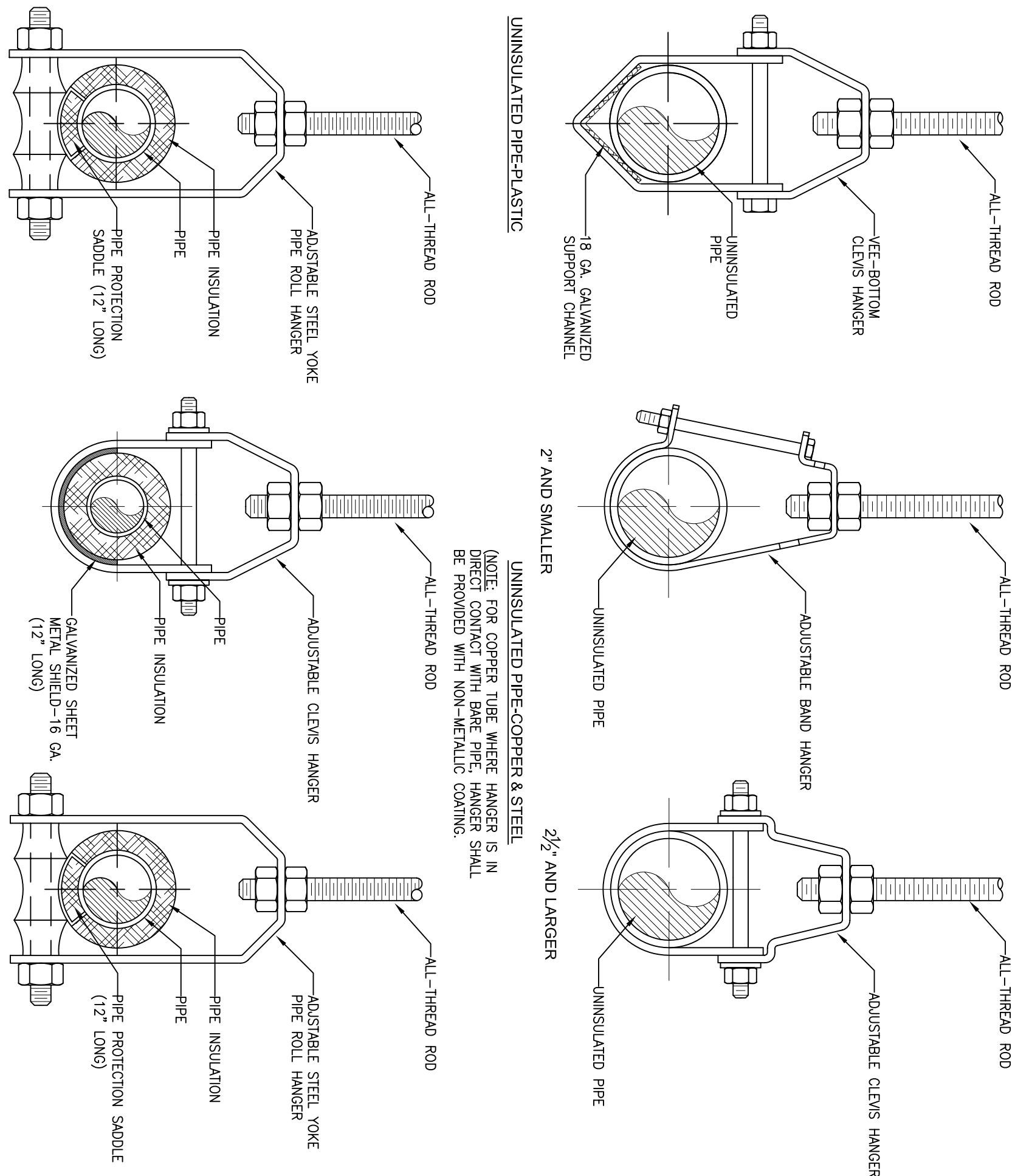
VENT THRU ROOF DETAIL
NO SCALE



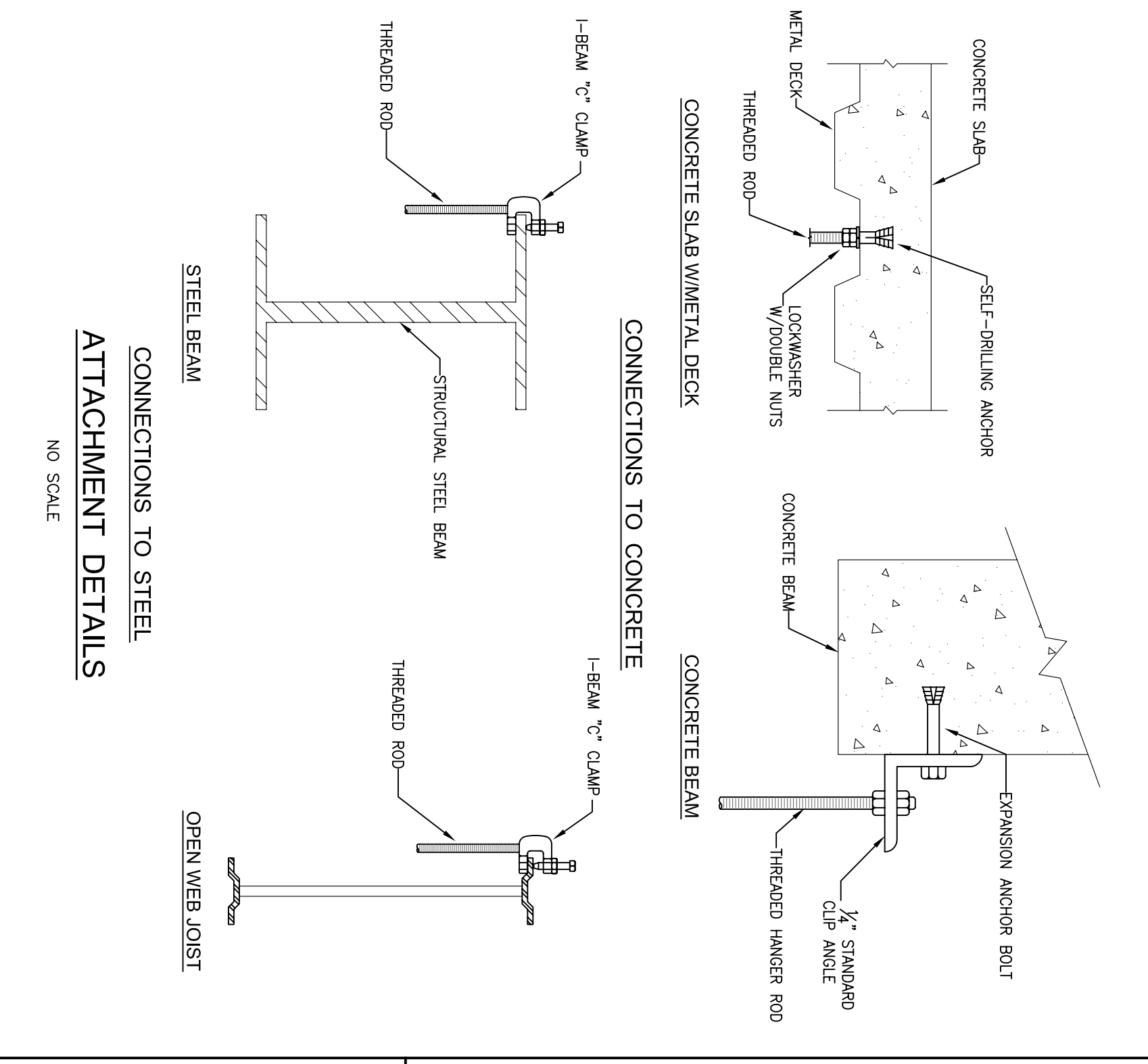
WATER HEATER DETAIL
NO SCALE



DETAIL-TRAP PRIMER
NO SCALE



INSULATED PRECASTIC



INSULATED PRECASTIC & STEEL

SINGLE PIPE HANGER DETAILS
NO SCALE

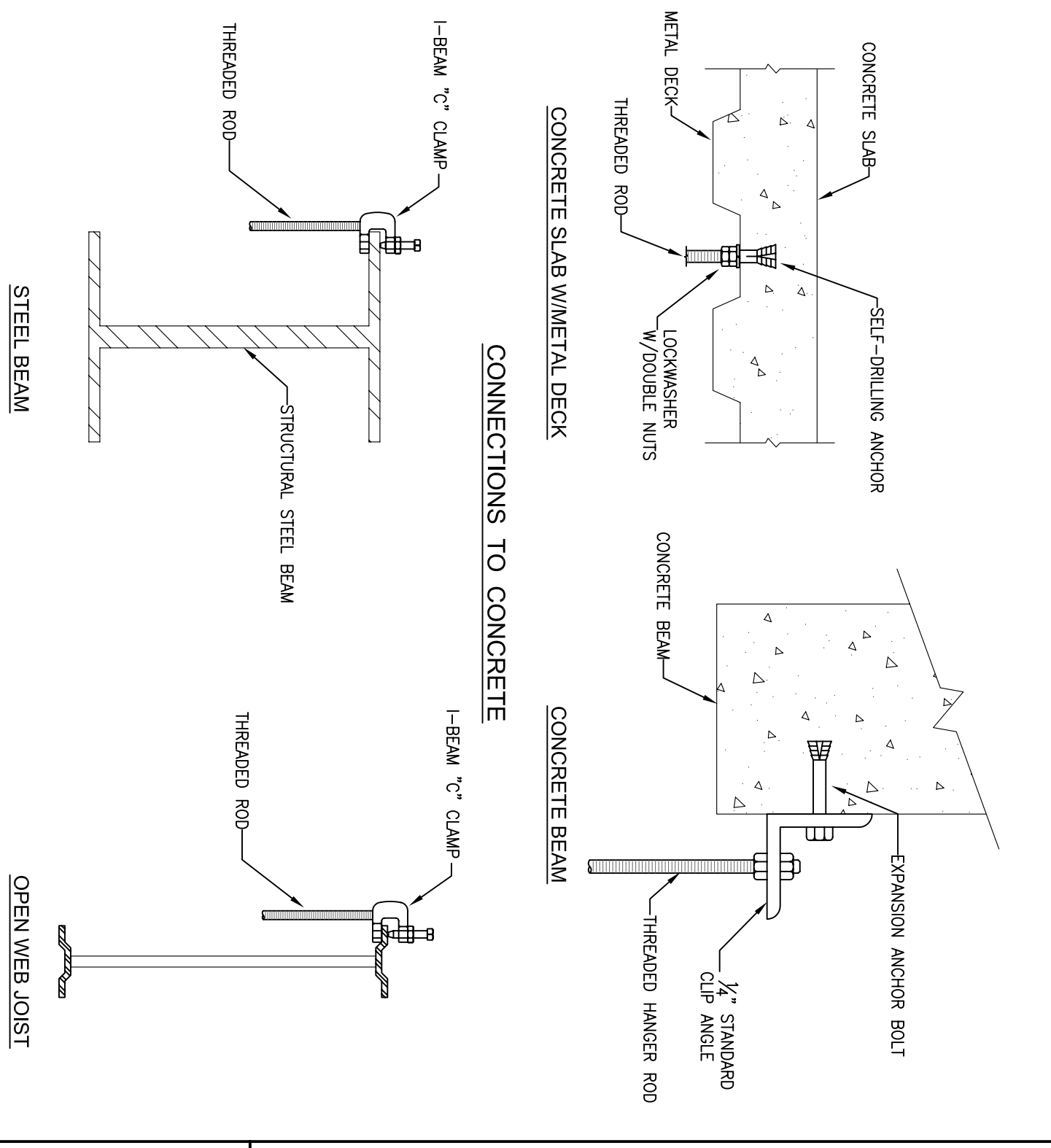
THE FOLLOWING SYSTEMS MUST BE BRACED:

- FOR GAS AND ALL PIPING 1 IN. NOMINAL DIAMETER AND LARGER.
- ALL PIPING 2"-1 1/2" IN. NOMINAL DIAMETER AND LARGER.
- ALL SYSTEMS BRACING AT 8' INTERVALS AND AT 40 FT. INTERVALS (MAX) AND OR LESS IN LENGTH AS MEASURED FROM THE TOP OF THE PIPE TO THE BOTTOM OF THE SPAN OR WHERE THE HANGER IS ATTACHED.

SEISMIC BRACING NOTES:

COPPER TUBE HANGERS ROD SCHEDULE		
NOMINAL PIPE SIZE	ROD DIAMETER	MAX. SPACING
1/2" TO 3/4"	3/8"	5 FT.
1" TO 1 1/4"	3/8"	7 FT.
1 1/2" TO 2"	3/8"	9 FT.
2 1/2"	3/8"	10 FT.
3"	3/8"	12 FT.
4"	3/8"	14 FT.
5"	3/8"	16 FT.

PLASTIC PIPE HANGER ROD SCHEDULE		
NOMINAL PIPE SIZE	ROD DIAMETER	MAX. SPACING
1/2" TO 3/4"	3/8"	4 FT.
1" TO 1 1/4"	3/8"	5 FT.
1 1/2" TO 2"	3/8"	6 FT.
2 1/2"	3/8"	7 FT.
3"	3/8"	8 FT.
4"	3/8"	9 FT.
5"	3/8"	9 FT.



CONNECTIONS TO CONCRETE



CONNECTIONS TO STEEL ATTACHMENT DETAILS
NO SCALE

SALES	DATE	REVISIONS		COMMENTS
		NO.	DATE	
17,224 sq. ft.	04/28/10	1	08/05/09	REVISED PER HEALTH DEPT. & CLIENT REVIEW COMMENTS

PROJECT	TRADER JOE'S 87 MARGINAL WAY PORTLAND, ME. 04101
SHEET NAME	PLUMBING DETAILS
TOTAL	23,930 sq. ft.
JOB No.	FT-7912
DRAWN BY:	FTA
TENANT STORE No.	XXXX
SPACE No.	XXXX