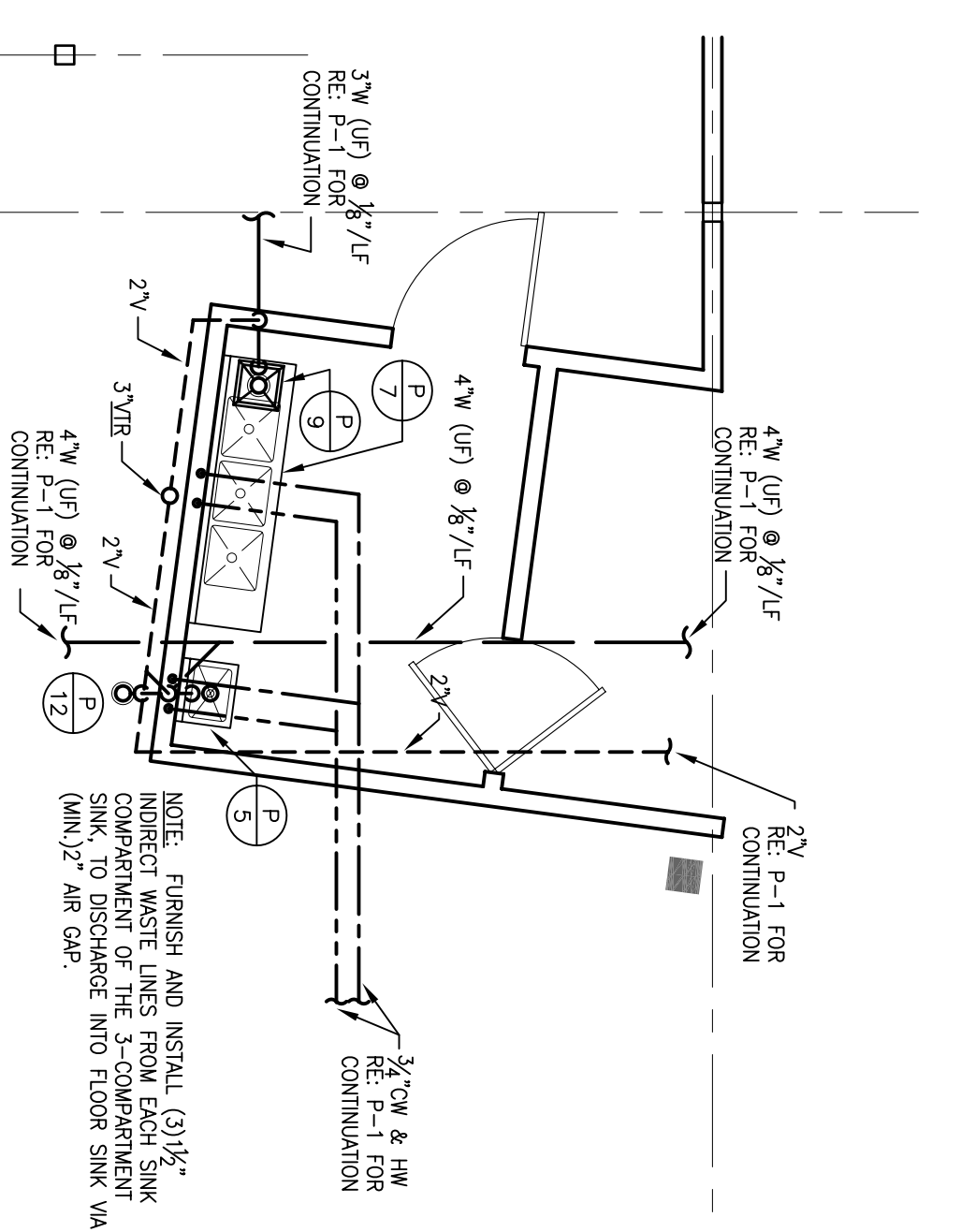
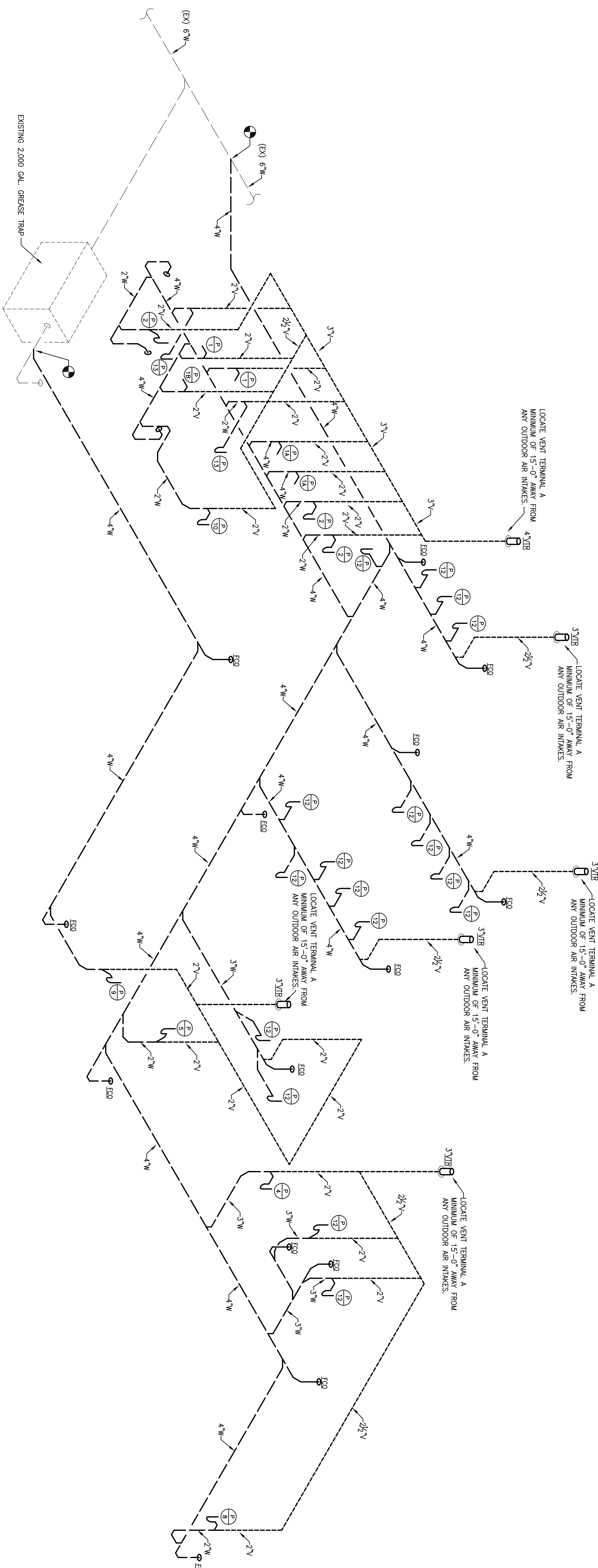


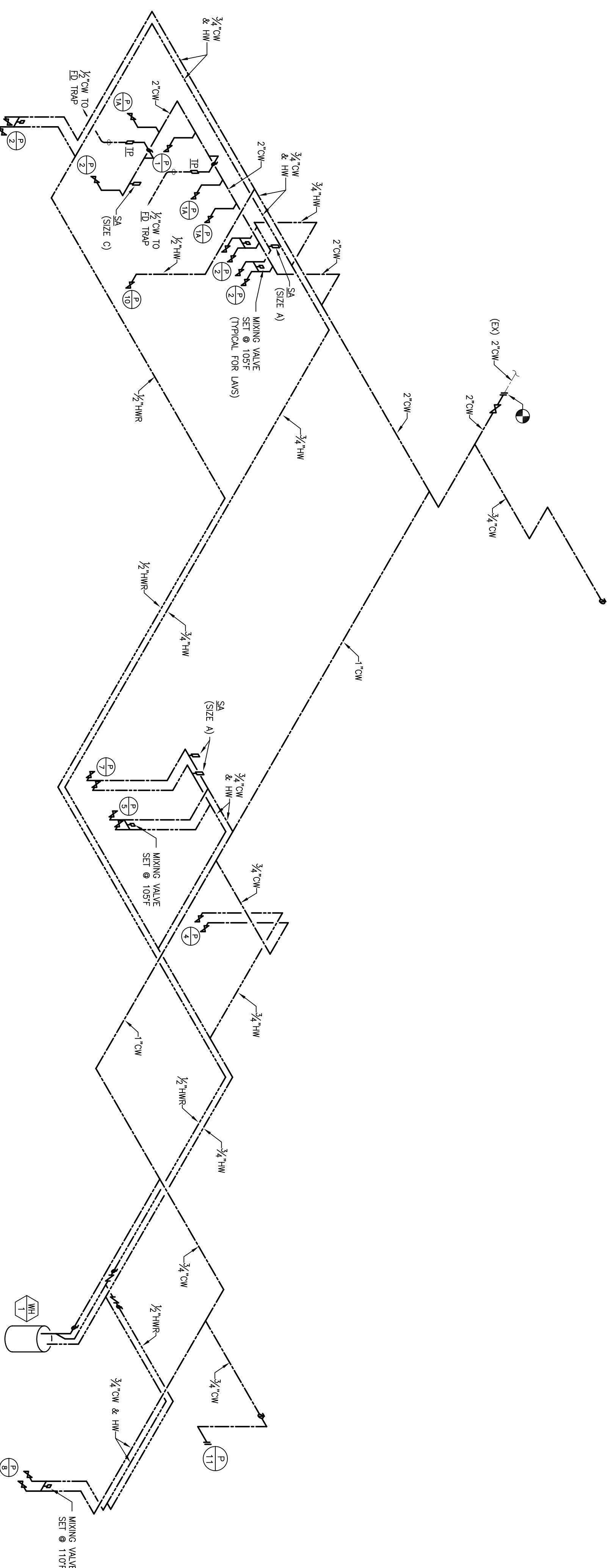
LARGE SCALE PLUMBING PLAN @ TOILETS  
SCALE: 1/4" = 1'-0"



LARGE SCALE PLUMBING PLAN @ DEMO. & SUPPORT AREAS  
SCALE: 1/4" = 1'-0"



SANITARY RISER DIAGRAM  
NO SCALE



DOMESTIC WATER RISER DIAGRAM  
NO SCALE

- ### PLUMBING GENERAL NOTES
- ALL PLUMBING INSTALLATION MATERIALS, TESTS, AND APPROVALS SHALL BE IN ACCORDANCE WITH THE STATE PLUMBING CODE AND LOCAL CODES AND ORDINANCES. INCLUDE ALL COSTS FOR PERMITS AND TESTS AS REQUIRED BY LOCAL AUTHORITIES.
  - ALL WATER PIPING SHALL BE INSULATED WITH 1/2" THICK MOLDED FIBERGLASS INSULATION WITH VAPOR BARRIER.
  - STORM DRAIN AND SANITARY WASTE AND VENT PIPING SHALL BE SCHEDULE 40 ABS.
  - NATURAL GAS PIPING SHALL BE CORROSION RESISTANT STEEL TUBING (CSR).
  - WATER PIPING SHALL BE COPPER TYPE K OR TYPE L UNLESS OTHERWISE SPECIFIED OR CONTRACTOR SHALL BE CORROSION RESISTANT STEEL TUBING (CSR).
  - VALVES AT ALL BRANCHES AND AT EACH FLOOR.
  - CONTRACTOR SHALL PROVIDE TO OWNER ONE YEAR GUARANTEE ON ALL MATERIALS AND WORKMANSHIP.
  - THE PLUMBING CONTRACTOR SHALL BE HELD RESPONSIBLE TO HAVE VISITED THE SITE PRIOR TO SUBMITTING HIS ESTIMATE AND TO HAVE EXAMINED AND PARALYZED IN DETAIL THE SITE CONDITIONS OF THE PROJECT. HE SHALL CONSIDER THE REQUIREMENTS FOR A COMPLETE PLUMBING SYSTEM MAY BE FULFILLED. NO EXTRA PAYMENT WILL BE ALLOWED TO THE PLUMBING CONTRACTOR BECAUSE OF UNUSUALITY WITH THE SITE CONDITIONS.
  - IT IS NOT INTENDED THAT THE DRAWINGS SHALL SHOW ALL DETAILS OF CONSTRUCTION. HOWEVER, THE PLUMBING SUBCONTRACTOR SHALL BE REQUIRED TO FURNISH AND INSTALL ALL MATERIALS NECESSARY TO COMPLETE THE PLUMBING SYSTEM IN ACCORDANCE WITH THE BEST PRACTICE AND MAY BE REQUIRED BY THE DRAWINGS AND OMITTED BY THE SPECIFICATIONS, OR VICE VERSA. JUST AS HOSE REQUIRED BY BOTH, SHOULD THERE APPEAR TO BE DISCREPANCIES OF A QUESTION OF INTERPRETATION, THE PLUMBING CONTRACTOR SHALL REFER TO THE ARCHITECT/ENGINEER FOR DECISION. FURTHERMORE, HIS INTERPRETATION SHALL BE FINAL, CONCLUSIVE AND BINDING.
  - REVISIONS TO THE PLUMBING CONTRACTOR SHALL BE MADE BY THE ARCHITECT/ENGINEER. THE PLUMBING CONTRACTOR SHALL BE RESPONSIBLE FOR THE PROPOSED REVISIONS TO BE APPROVED BY THE ARCHITECT/ENGINEER. THE PLUMBING CONTRACTOR SHALL FURNISH AND INSTALL A BACKFLOW PREVENTOR ON THE INCOMING DOMESTIC WATER SERVICE. SEPARATE BACKFLOW PREVENTORS SHALL BE INSTALLED AT ICE MACHINES, PROCESS EQUIPMENT, BREWING KETTLES MAY BE DELETED WHEN PERMITTED BY THE LOCAL PLUMBING INSPECTOR.
  - ALL HORIZONTAL STORM DRAINAGE PIPING SHALL BE INSULATED WITH 1" FIBERGLASS INSULATION.
  - CONTRACTOR SHALL FURNISH AND INSTALL A VACUUM BREAKER AT EACH DOMESTIC WATER OR STORAGE TANK.
  - CONTRACTOR SHALL FURNISH AN INSTALL MANUAL, AIR VENTS AT SYSTEM HIGH POINTS AND HOSE BIB DRAINS AT LOW POINTS.
  - CONTRACTOR SHALL FURNISH AN INSTALL MANUAL, AIR VENTS AT SYSTEM HIGH POINTS AND HOSE BIB DRAINS AT LOW POINTS.
  - ALL NEW BURIED PIPING SHALL BE SUPPORTED THROUGHOUT ITS ENTIRE LENGTH.
  - ALL CONNECTIONS OF NEW PLUMBING FIXTURES TO EXISTING PIPING SHALL BE SUBJECT TO FIELD INSPECTION. THE PERMIT HOLDER IS TO OBTAIN REASONABLE ADVANCE NOTICE TO THE CODE OFFICIAL WHEN THE WORK IS READY FOR INSPECTION.

PLUMBING FIXTURE SCHEDULE

TAG	TYPE	QTY	WASTE	VENT	CW	HW	MANUFACTURER/MODEL	REMARKS
1	HANDICAPPED TOILET	2	4"	2"	1"	---	AMERICAN STANDARD / AFFINAL 2527.03	WALL HUNG VITREOUS CHINA, COLOR WHITE, ELONGATED FLUSH VALVE, CHROME PLATE, WITH DUAL FLUSH TOP SPIND COLORED TO MATCH FLOOR.
2	FLUSH VALVE WATER COOLER	2	4"	2"	1"	---	AMERICAN STANDARD / AFFINAL 2257.03	WALL HUNG VITREOUS CHINA, COLOR WHITE, ELONGATED FLUSH VALVE, CHROME PLATE, WITH DUAL FLUSH TOP SPIND COLORED TO MATCH FLOOR.
3	WALL HUNG URINAL	1	2"	2"	---	---	AMERICAN STANDARD / WASHBROOM 6501 010	WALL HUNG VITREOUS CHINA, COLOR WHITE, WITH TOP SPIND FLUSH VALVE (1.0 GPF).
4	WALL HUNG URINAL	1	2"	2"	---	---	AMERICAN STANDARD / ROMAN 0156.023	WITREOUS CHINA, COLOR WHITE, WITH ELECTRONIC SENSOR SHOWER HEAD WITH SHOWER HEAD, VACUUM BREAKER, WITH SPRAYING FACET WITH INTERIOR VACUUM BREAKER AND HANGING AND INDEPENDENT HOSE BIB
5	NOT USED	---	---	---	---	---	---	---
6	SERVICE SINK	1	3"	2"	1/2"	---	FORESTONE / MSR-2424	WALDIED MOP RECEIVER, ONE PIECE WITH RIBBED UNDERBODY AND INTERIOR REAR FOR 3" A/S PIPE, AND 18 GALLON (3.8 GPM) FLOOR SINK WITH VACUUM BREAKER, WITH SPRAYING FACET WITH INTERIOR VACUUM BREAKER AND HANGING AND INDEPENDENT HOSE BIB
7	HAND SINK	1	1/4"	1/4"	1/2"	---	UNIBRO MR / 753-1-H	STAINLESS STEEL HAND SINK WITH SPRAY UNIT (INCLUDED) NSF APPROVED.
8	NOT USED	---	---	---	---	---	---	---
9	EMPLOYEE SINK	1	1/4"	1/4"	1/2"	---	UNIBRO MR / 753-3-23	STAINLESS STEEL 3-COMPARTMENT SINK WITH (1) SINKING COOPER/KEMPER FACET, NSF APPROVED.
10	STAINLESS STEEL SINK	1	1/4"	1/4"	1/2"	---	ELKAY / COLBERT GR251	FINISHED BY TENDANT, INSTALLED BY PLUMBER.
11	FLOOR SINK	1	3"	2"	---	---	IBR SINK / 3002	FLOOR SINK WITH 12" STAINLESS STEEL TOP, 1/2" GRAVE AND DOME STRAINER.
12	DRAINING FOUNTAIN	1	1/2"	1/2"	1/2"	---	ELKAY / ESTIAC	WATER COOLER WITH SELF-CLOSING EAST-COUCH BRIBBLER AND STAINLESS STEEL BASKET, 120V, ADA COMPLIANT.
13	HOBSE BIB	1	---	---	---	---	ZIBIN / Z1334-C	EXPOSED AUTOMATIC DRINKING WALL MOUNT WITH INTERIOR VACUUM BREAKER AND K2-COMPRESSED AIR. VALVE, 3/4" BRASS, 3/4" BRASS, 3/4" BRASS CONNECTION, ADA COMPLIANT.
14	TRAP PRIMER	---	---	---	---	---	PRECISION PLUMBING PRODUCTS / RP-550	3" PVC PIPE TO EXTEND UP TO 3" ABOVE FINISHED FLOOR.
15	SHOCK ABSORBER	---	---	---	---	---	PRECISION PLUMBING PRODUCTS / PS-500	FLOOR DRAIN WITH INTERCAL DEEP SEAL TRAP, TRAP RING, FLOOR DRAIN COVER, 120V.
16	NOT USED	---	---	---	---	---	---	---
17	TRAP PRIMER PLAN	---	---	---	---	---	PRECISION PLUMBING PRODUCTS / PS-500	PISTON OPERATED BRASS TRAP PRIMER WITH COPPER BODY FROM PRIMER DISTRIBUTION UNIT.
18	WATER HAMMER SHOCK ABSORBER	---	---	---	---	---	PRECISION PLUMBING PRODUCTS / PS-500	WATER HAMMER SHOCK ABSORBER.
19	WATER HAMMER SHOCK ABSORBER	---	---	---	---	---	PRECISION PLUMBING PRODUCTS / PS-500	WATER HAMMER SHOCK ABSORBER.

### WATER HEATER SCHEDULE

DESC.	SERVICE	RECOVERY CAPACITY	TEMPERATURE	ELECTRIC ELEMENTS	MANUFACTURER & MODEL NO.	NOTES
DOMESTIC	25	50	140	208/3	AO SINKH - 05E-50	VES APPROVED FOR RISE WITH RELIEF VALVE.

### PIPE MATERIAL SPECIFICATIONS

PIPE SERVICE	SIZE	PIPE MATERIAL	BELOW GROUND
COLD WATER	ALL	CSFC	CSFC
SANITARY	2" AND SMALLER	TYP. NSF PIPE	CSFC
SANITARY	LARGER	TYP. NSF PIPE	SCHEDULE 40
SANITARY	2" AND LARGER	TYP. NSF PIPE	SCHEDULE 40
SANITARY	2" AND LARGER	TYP. NSF PIPE	SCHEDULE 40
SANITARY	2" AND LARGER	TYP. NSF PIPE	SCHEDULE 40
SANITARY	2" AND LARGER	TYP. NSF PIPE	SCHEDULE 40
NATURAL GAS	ALL	CSST	N/A

CLEAN-OUT SPECIFICATION  
ALL CLEAN-OUTS TO BE PROVIDED WITH 1/2" RIFLERS AND VENT TO OUTSIDE.

HW CIRCULATING PUMP  
BAG CIRCULATING PUMP, MODEL NSF-22, WITH ADJUSTABLE AND T-3 AUTOMATIC THERM KIT. (LEAD-FREE BRONZE PUMP BODY)

NOTE: ALL EXTERIOR EXHAUSTS AND HAND WASHING SINKS TO BE FURNISHED WITH A THERMOSTATIC MIXING VALVE TO LIMIT THE HOT WATER TEMPERATURE. SEE DETAILS.

NOTE: NO CIRCUMSTANCES SHALL PLASTIC PIPING BE INSTALLED IN RETURN AIR CEILING FININGS.

SALES	DATE	REVISIONS	COMMENTS
17,224 sq. ft.	04/28/10		
5,424 sq. ft.			
1,464 sq. ft.			
TOTAL: 23,920 sq. ft.			

<b>TRADER JOE'S</b> 87 MARGINAL WAY PORTLAND, ME. 04101	<b>Jeffrey Taylor</b> Architect 572 South Broadway White Plains, N.Y. 10603 Tel 914 288 0011 Fax 914 288 0222	<b>dp</b> DON PENN CONSULTING ENGINEER 685 WESTPORT PARKWAY, SUITE 300 SHARONVILLE, OHIO 45783 814-210-5589 FAX 814-251-9411
---	--	--

SHEET NAME: PARTIAL PLANS, NOTES AND SPECIFICATIONS