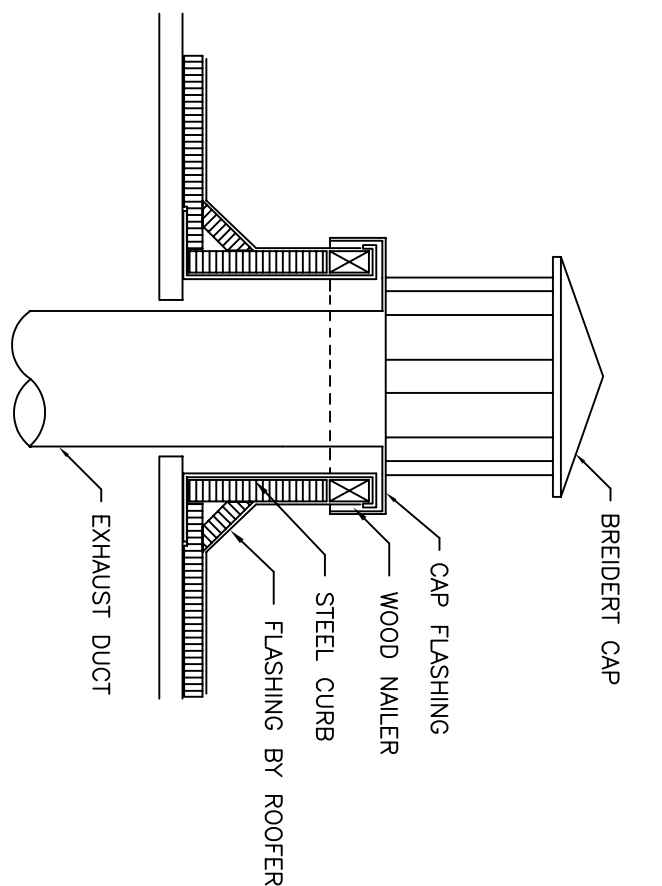
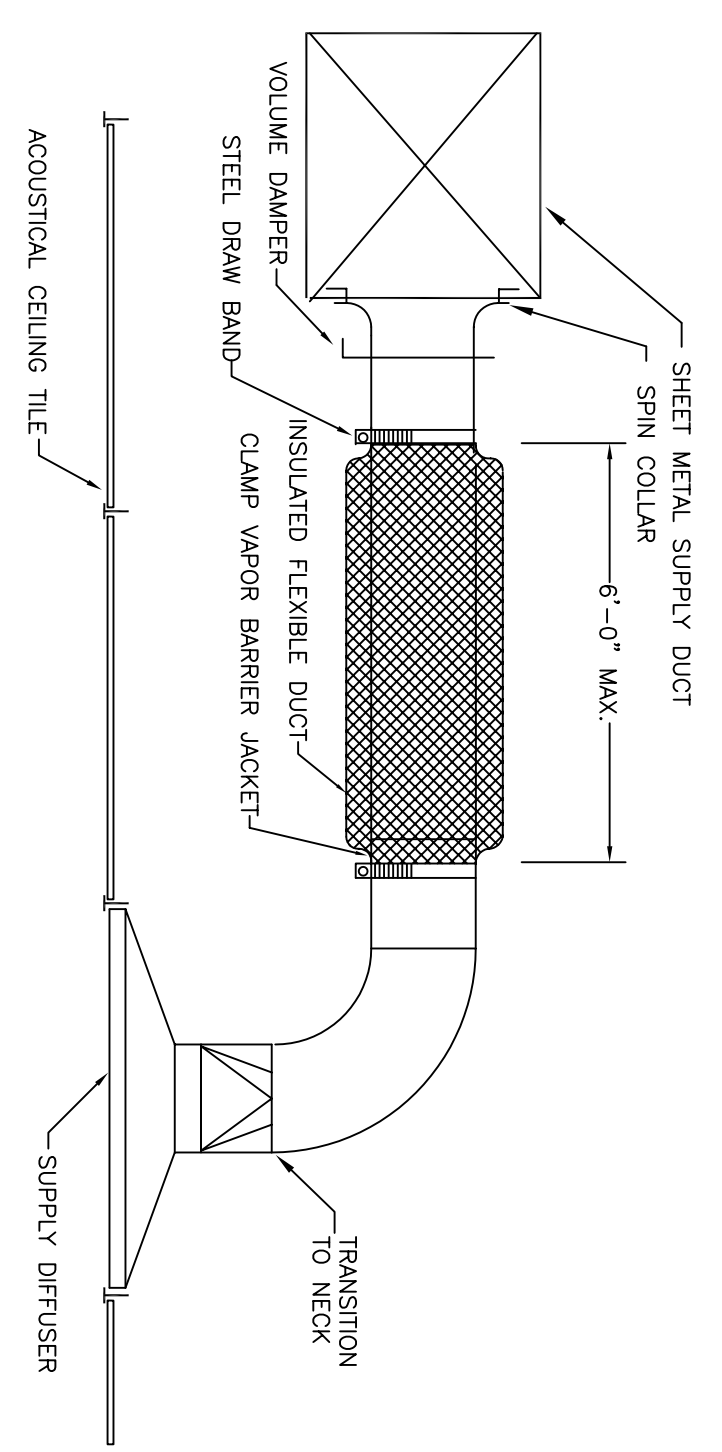


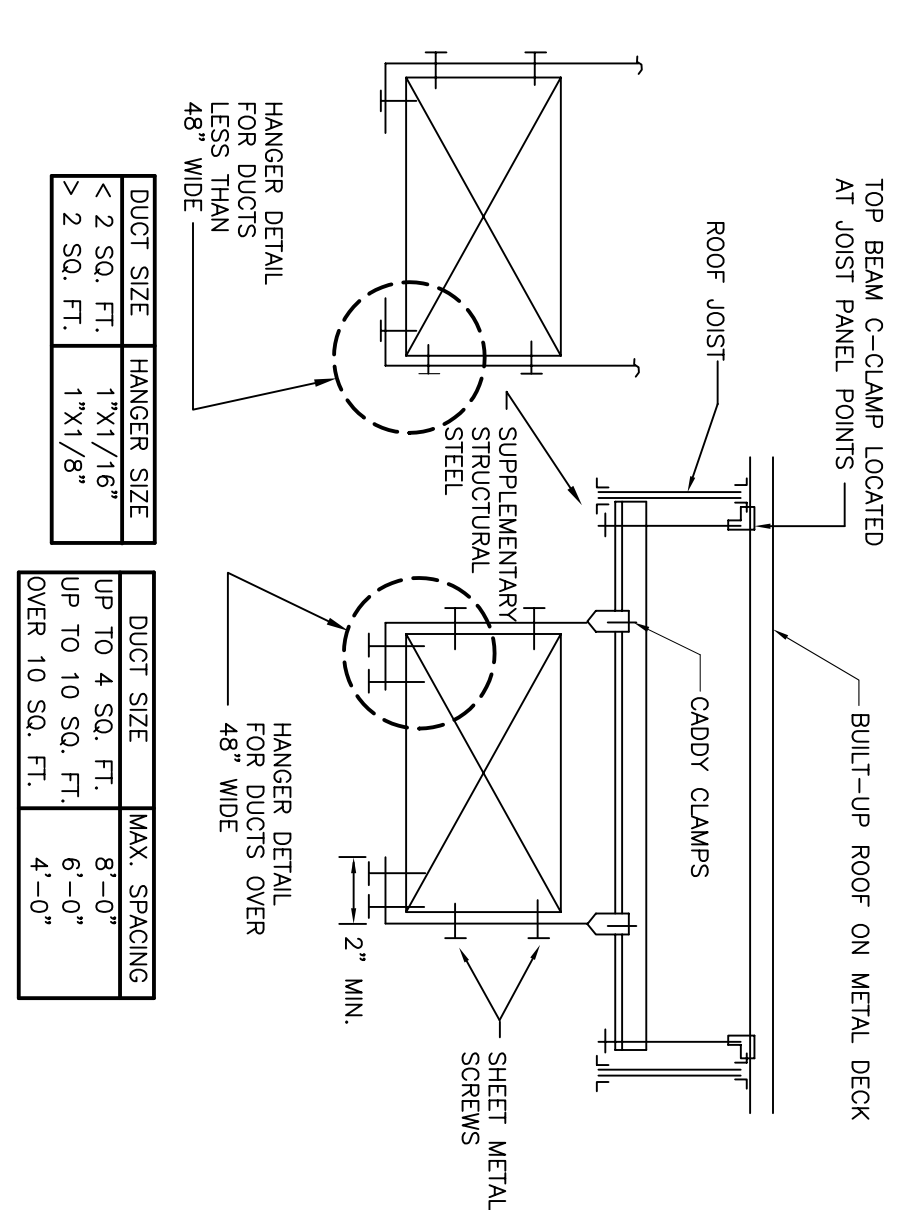
ROOF EXHAUST FAN DETAIL
 NO SCALE



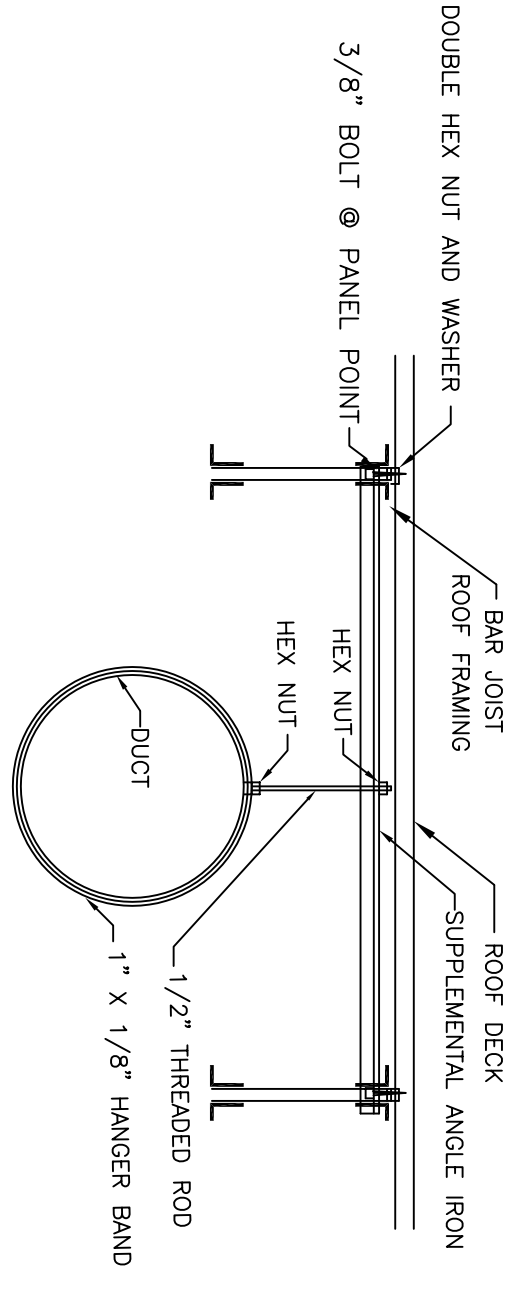
ROOF JACK DETAIL
 NO SCALE



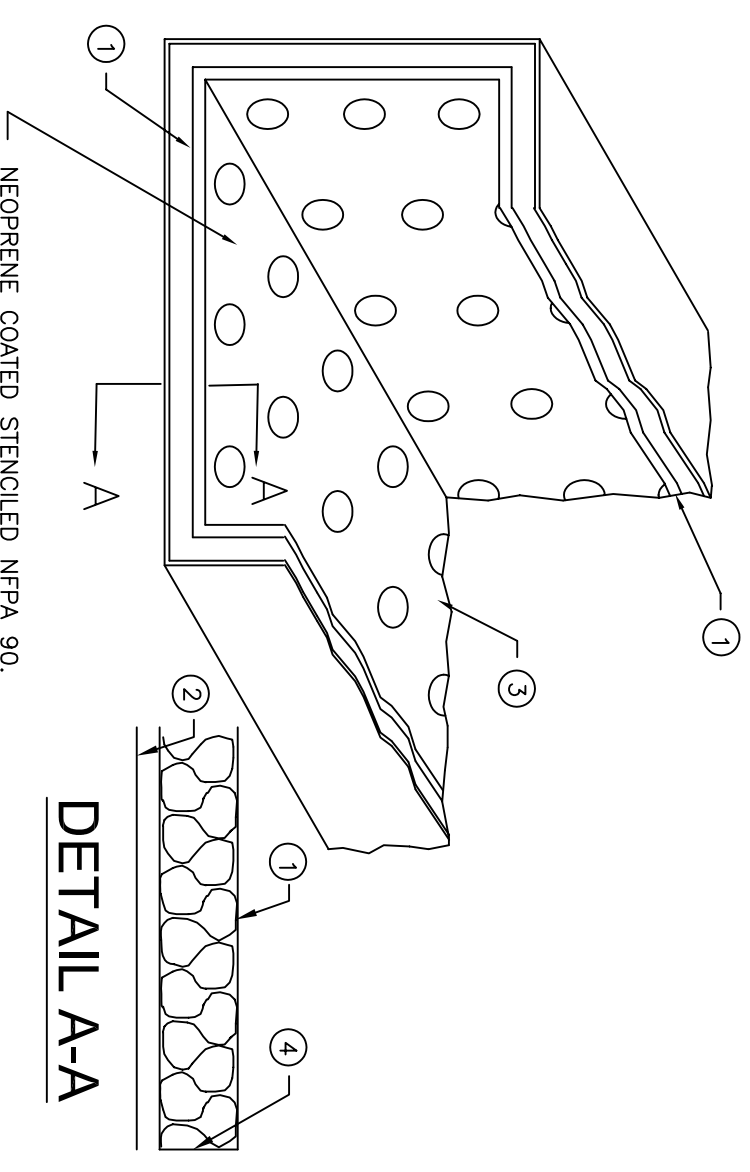
INTERIOR DIFFUSER INSTALLATION DETAIL
 NO SCALE



DUCT SUPPORT DETAIL
 NO SCALE

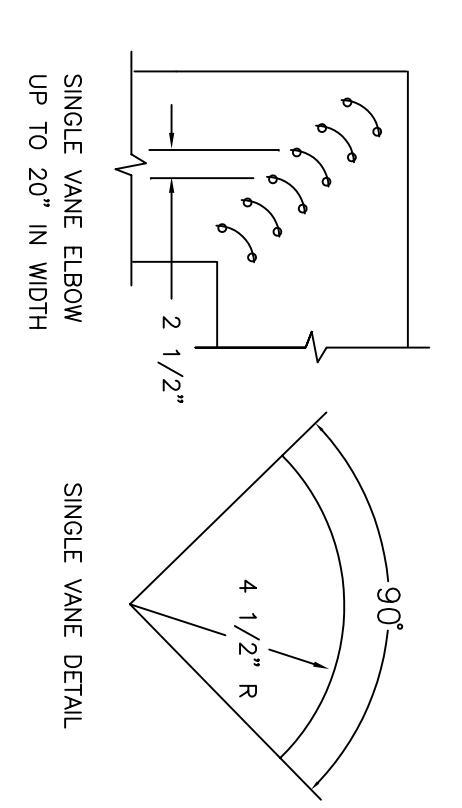


ROUND DUCT HANGER DETAIL
 NO SCALE

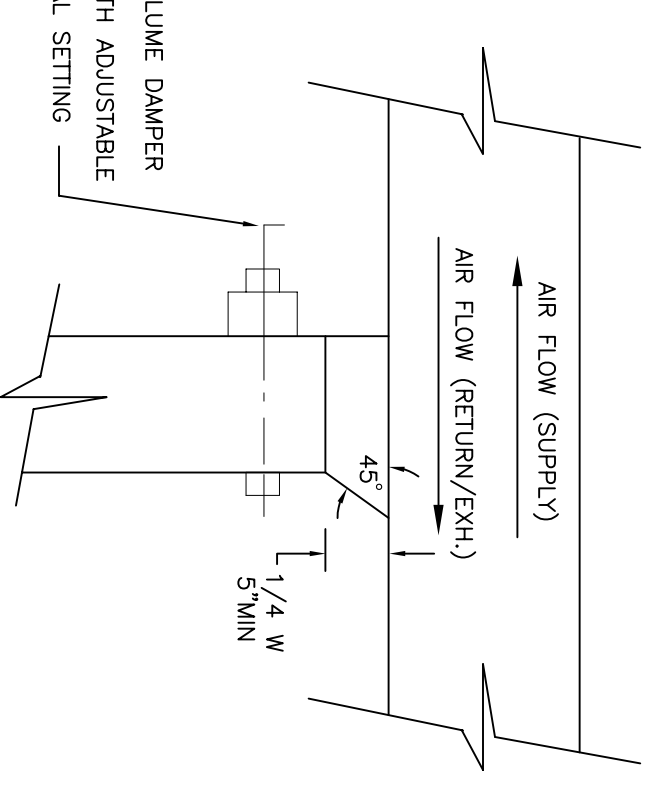


- NOTES:
 1. MAT-FACED FIBERGLASS ACOUSTIC LINING APPROVED TYPE BY N.F.P.A. 90. THICKNESS AND DENSITY AS PER SPEC.
 2. DUCT LINER SHALL BE ADHERED TO THE DUCT WITH AN APPROVED FIBRE REINFORCING ADHESIVE.
 3. MECHANICAL FASTENERS WHICH DO NOT PENETRATE THE SHEET METAL SHALL BE ON 1/2" HIGH CENTERS AND WITHIN 3" OF EACH EDGE (WELD PINS WITH 2" WASHERS).
 4. ACOUSTICAL EDGES AT TRANSVERSE CONNECTIONS WITH PERMANENTLY ATTACHED GLASS CLOTH TAPE.

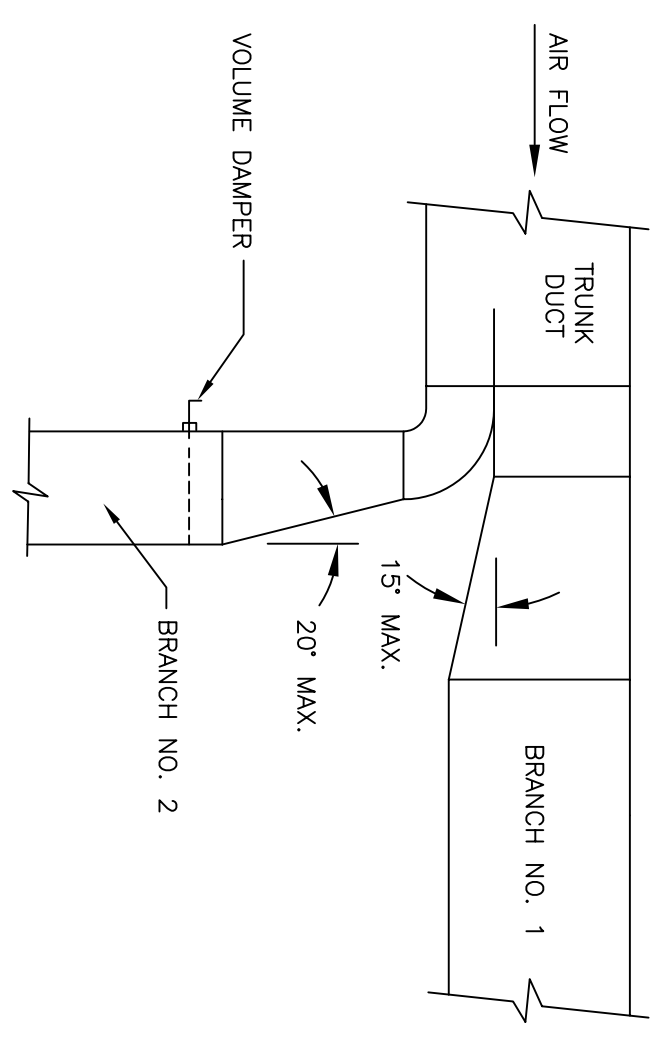
DETAIL OF DUCTWORK WITH ACOUSTIC LINING
 NO SCALE



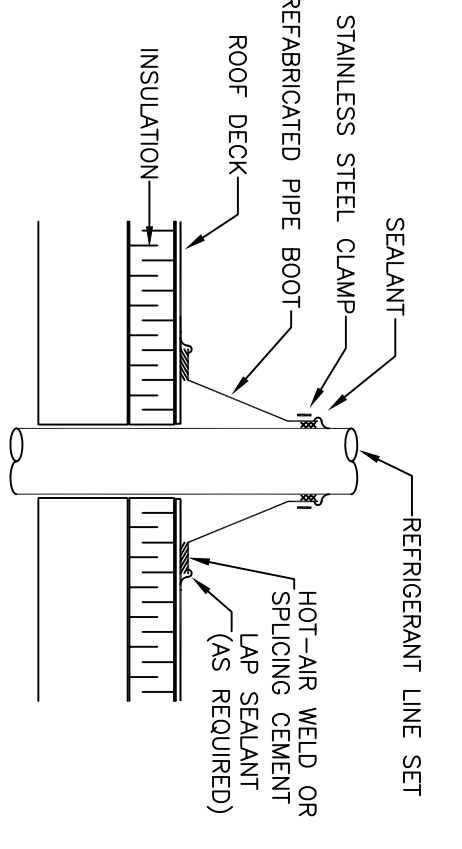
SQUARE OR RECTANGULAR ELBOWS FOR LOW VELOCITY DUCTWORK
 NO SCALE



DUCT BRANCH TAKEOFF FOR LOW PRESSURE DUCTWORK
 NO SCALE



BRANCH DUCT WITH RADIUS ELBOW
 NO SCALE



PIPE BOOT ROOF PENETRATION DETAIL
 NO SCALE

Jeffrey Taylor Architect
 572 North Broadway
 White Plains, N.Y. 10603
 Tel 914 289 0011
 Fax 914 289 0022

SALES		DATE		REVISIONS		COMMENTS
NO.	DESCRIPTION	NO.	DATE	NO.	DATE	
1	17,224 sq. ft.	04/28/10				
2	5,424 sq. ft.					
3	1,464 sq. ft.					
TOTAL	23,930 sq. ft.					

TRADER JOE'S
 87 MARGINAL WAY
 PORTLAND, ME. 04101

SHEET NAME
HVAC SPECIFICATIONS AND DETAILS

dp DON PENN CONSULTING ENGINEER
 635 WESTPORT PARKWAY SUITE 300
 SHARPEVILLE, TEXAS 76051
 817-410-2850 FAX 817-231-8411

MT-2