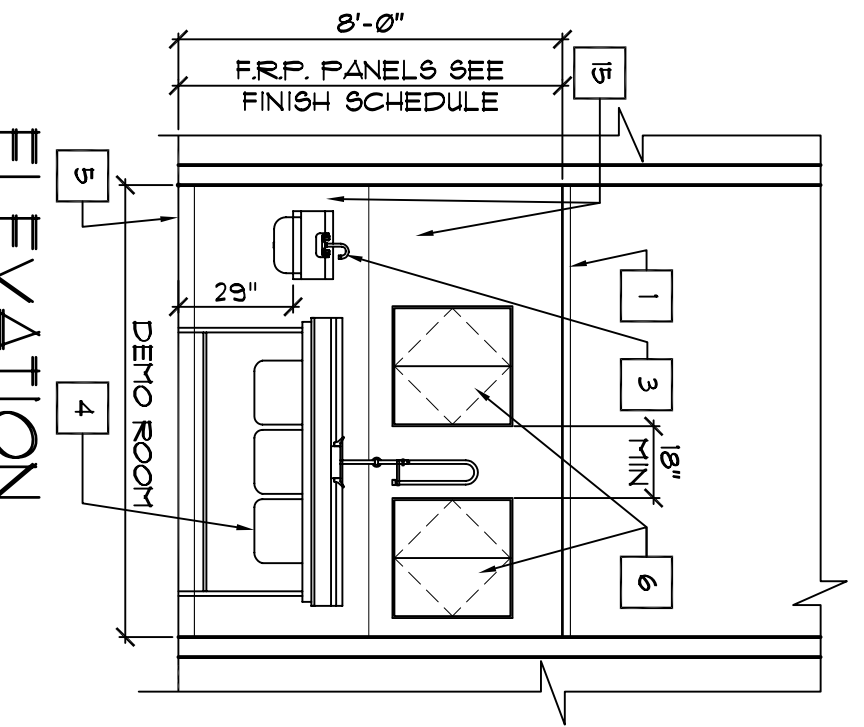
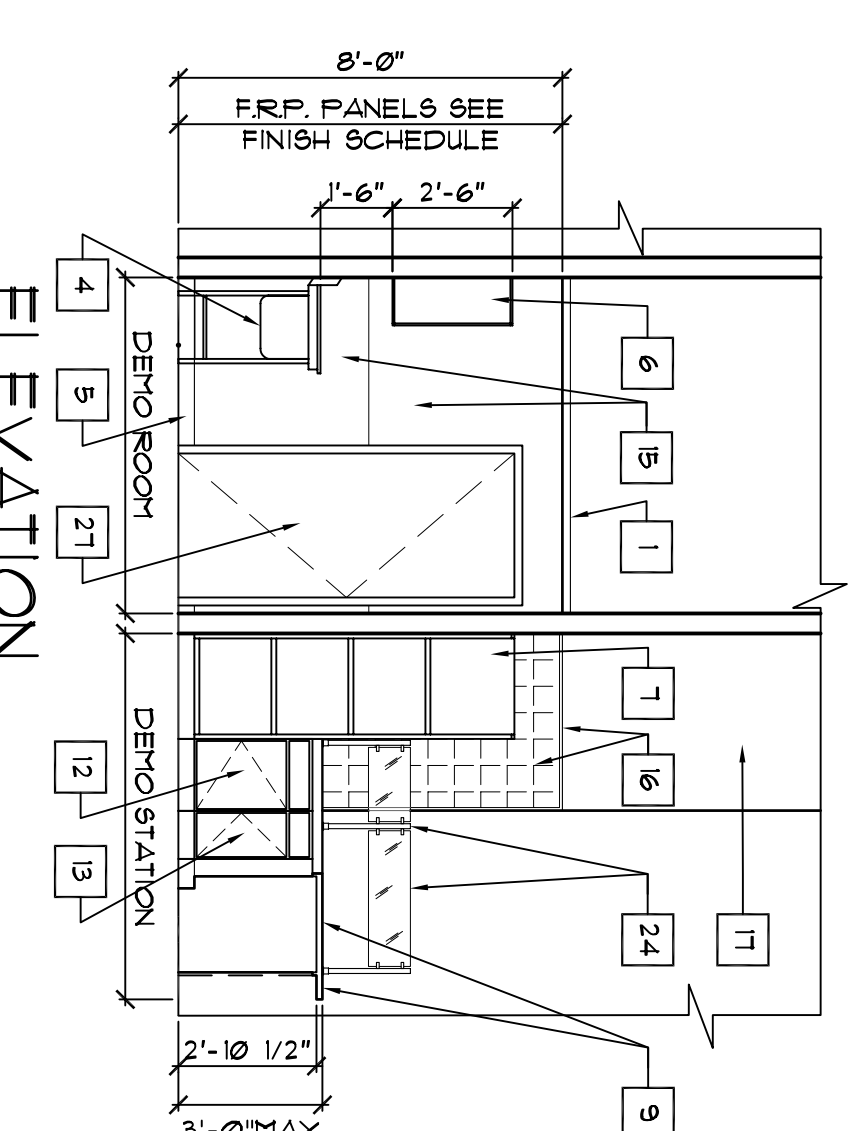


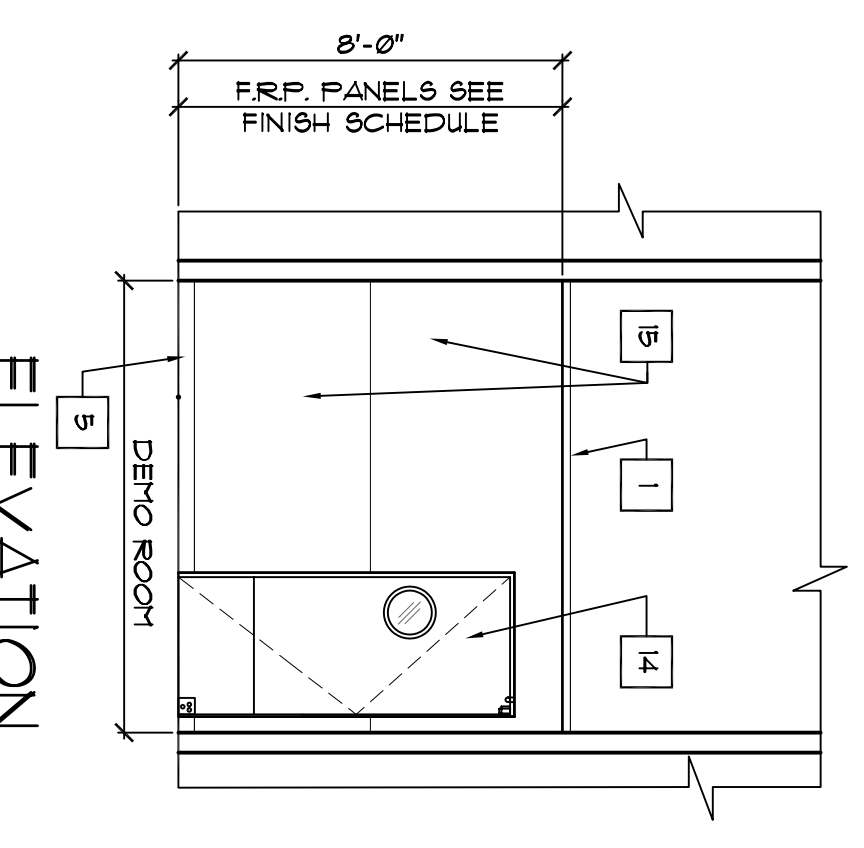
4 ENLARGED DEMO ROOM & DEMO STATION PLAN  
SCALE: 1/4" = 1'-0"



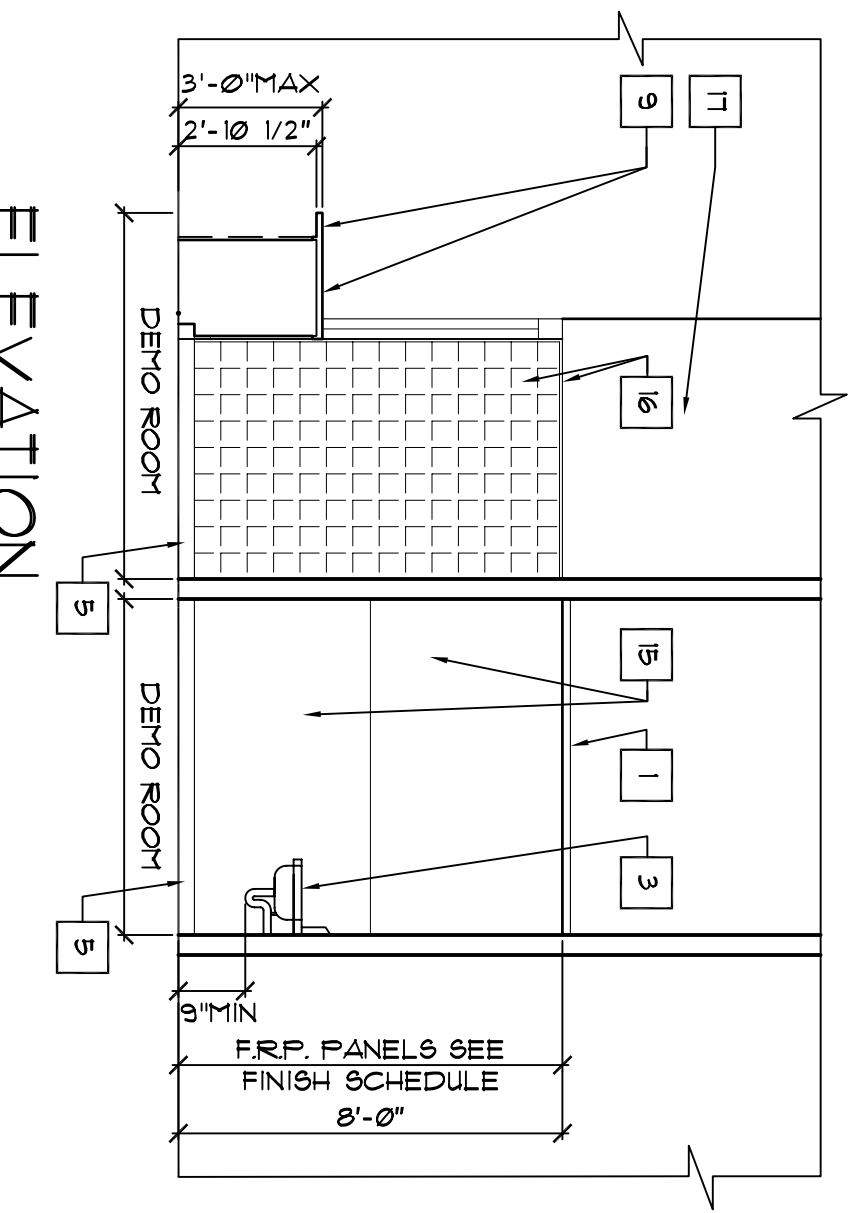
1 ELEVATION DEMO ROOM  
SCALE: 1/4" = 1'-0"



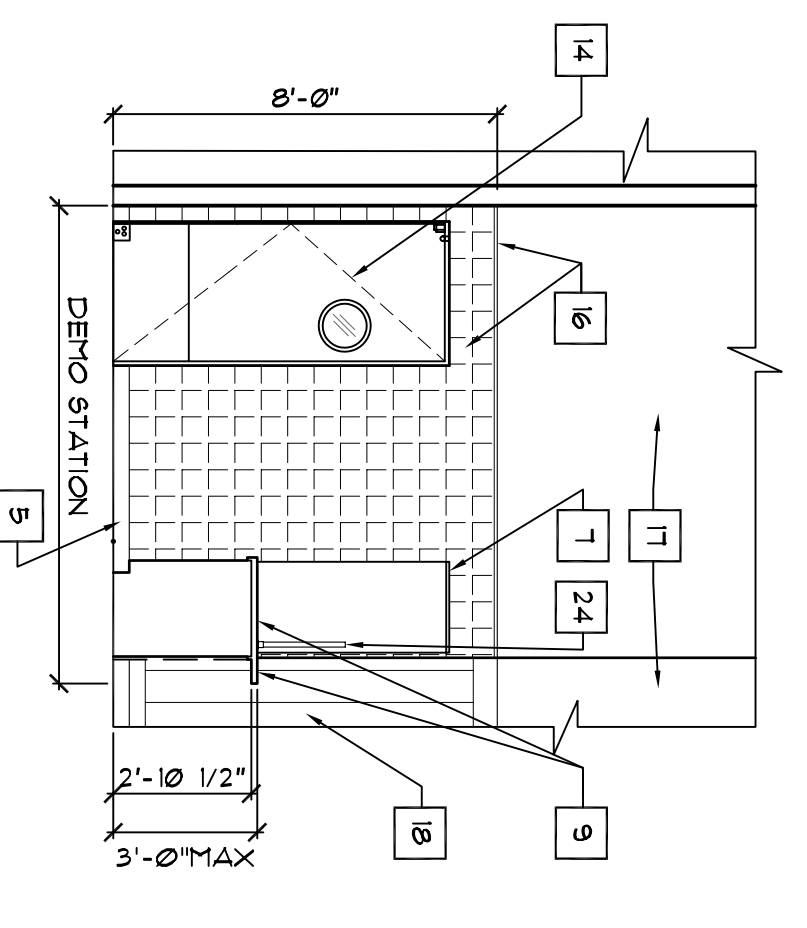
2 ELEVATION DEMO ROOM / STATION  
SCALE: 1/4" = 1'-0"



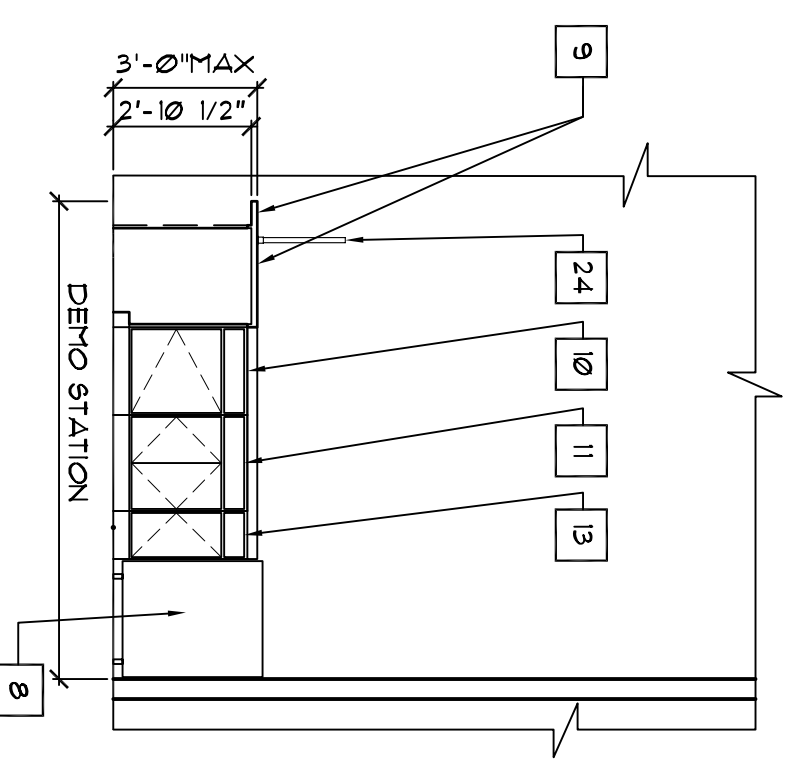
3 ELEVATION DEMO ROOM  
SCALE: 1/4" = 1'-0"



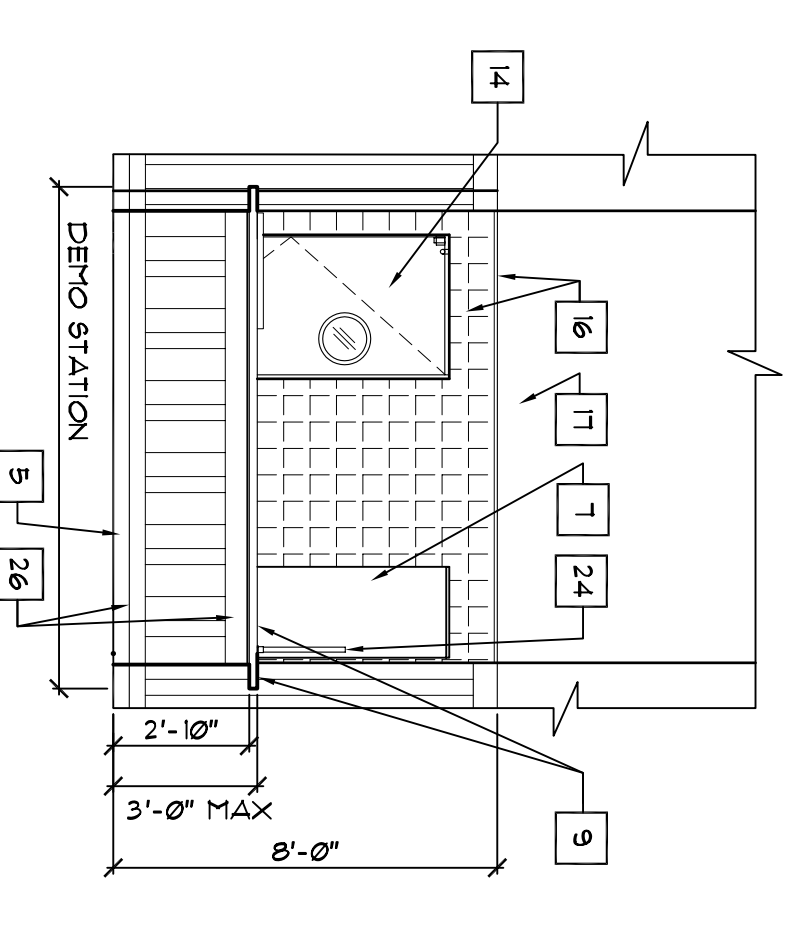
4 ELEVATION DEMO ROOM / STATION  
SCALE: 1/4" = 1'-0"



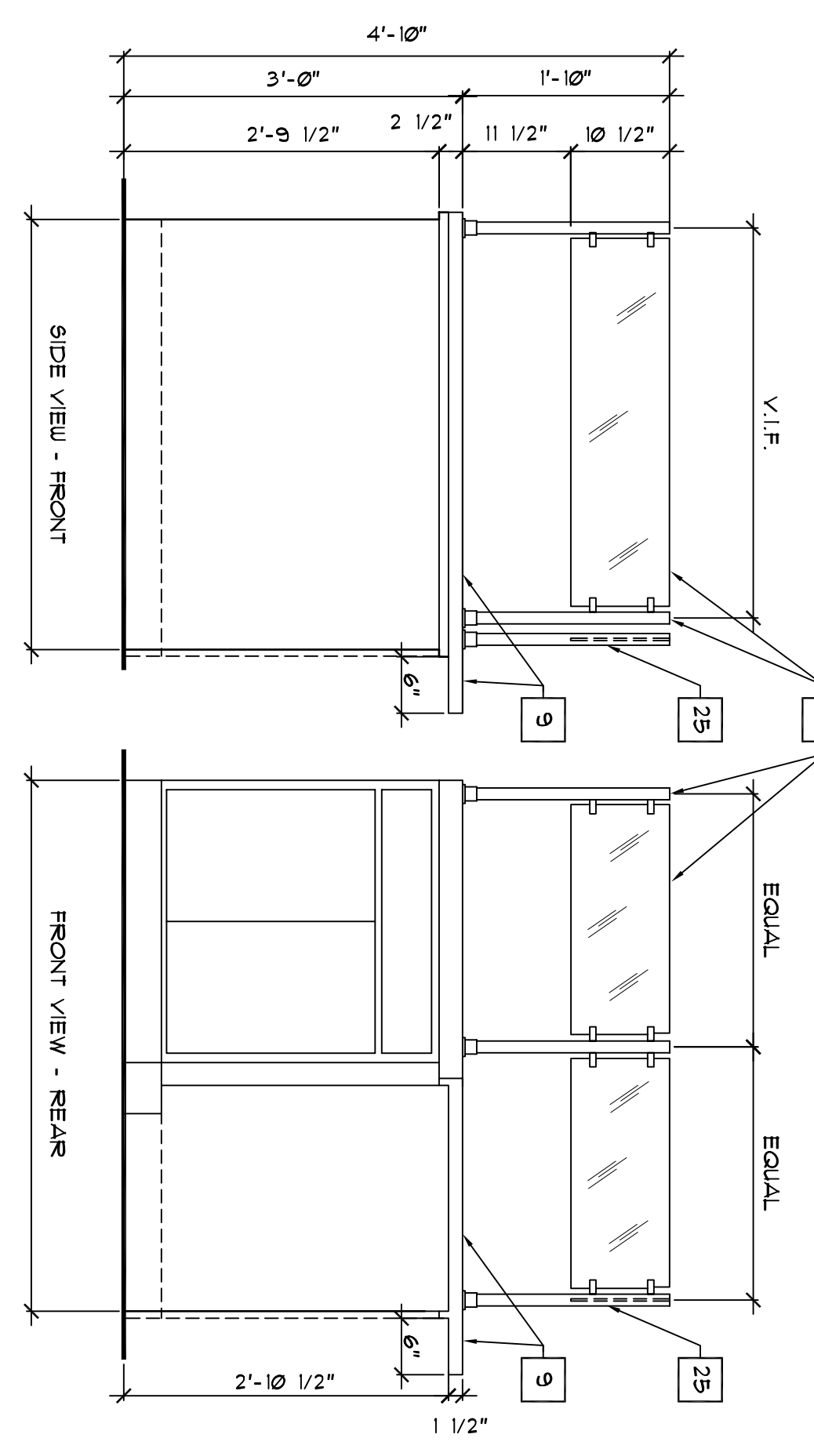
5 ELEVATION DEMO STATION  
SCALE: 1/4" = 1'-0"



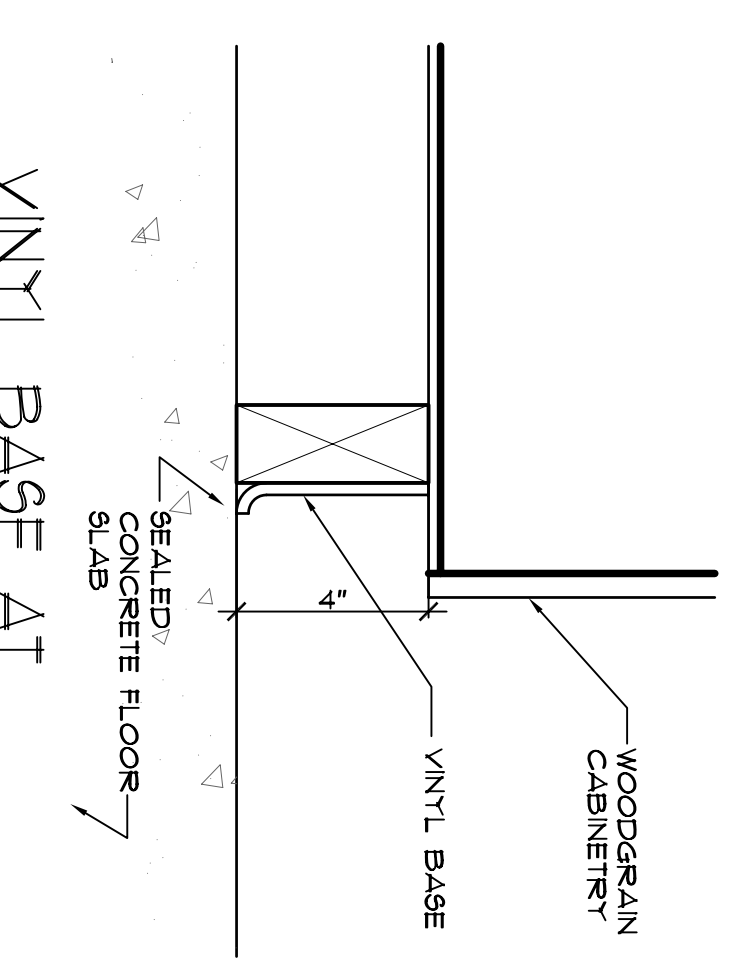
6 ELEVATION DEMO STATION  
SCALE: 1/4" = 1'-0"



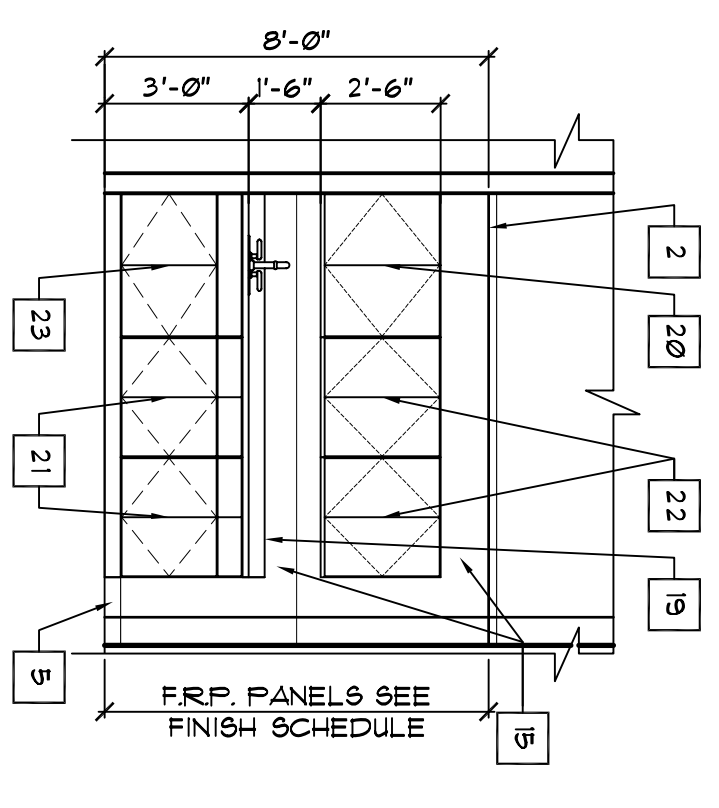
7 ELEVATION DEMO STATION  
SCALE: 1/4" = 1'-0"



8 SNEEZE GUARD SECTION & ELEVATION  
SCALE: 3/4" = 1'-0"



9 VINYL BASE AT CABINET TOE-KICK  
SCALE: 3" = 1'-0"



10 ENLARGED SALES SUPPORT  
SCALE: 1/4" = 1'-0"

ELEVATIONS AND PLAN KEY NOTES

1	NEW GYPHAT BOARD CEILING AT 8'-0" A.F.F. SEE FINISH SCHEDULE	11	24" PREFABRICATED WOODGRAN BASE CABINET SUPPLIED & INSTALLED BY TENANT G.C. SEE CABINETS NOTE FOR MANUFACTURER
2	NEW ACI CEILING AT 8'-0" A.F.F. SEE FINISH SCHEDULE	12	30" W x 36" H PREFABRICATED WOODGRAN BASE CABINETS SUPPLIED & INSTALLED BY TENANT G.C. SEE CABINETS NOTE FOR MANUFACTURER
3	SCHEDULE 40 STEEL COLUMN W/ TRADER JOES REP BRACK TO INSTALLATION	13	30" W x 36" H PREFABRICATED WOODGRAN BASE CABINETS SUPPLIED & INSTALLED BY TENANT G.C. SEE CABINETS NOTE FOR MANUFACTURER
4	3-COMPARTMENT SINK	14	STAINLESS STEEL ELIXION DOOR TO DEMO STATION. SEE ELEVATION THIS SHEET, SUPPLIED BY MANUFACTURER
5	4" VINYL BASE	15	FRP PANELS. SEE FINISH SCHEDULE ON SHEET A-6
6	30" W x 36" H PREFABRICATED WOODGRAN BASE CABINETS SUPPLIED & INSTALLED BY TENANT G.C. SEE CABINETS NOTE FOR MANUFACTURER	16	FRP PANELS (SCORDED) G.C. TO SHIRT JOINT F.R.P. PANELS TO BE INSTALLED BY TENANT G.C. SEE CABINETS NOTE FOR MANUFACTURER
7	STAINLESS STEEL COUNTER-TOP SHALL EXTEND 6" BEYOND FACE OF CEDAR FINISHED CABINET. SEE CABINETS NOTE FOR MANUFACTURER	17	FRP PANELS (SCORDED) G.C. TO SHIRT JOINT F.R.P. PANELS TO BE INSTALLED BY TENANT G.C. SEE CABINETS NOTE FOR MANUFACTURER
8	STAINLESS STEEL COUNTER-TOP SHALL EXTEND 6" BEYOND FACE OF CEDAR FINISHED CABINET. SEE CABINETS NOTE FOR MANUFACTURER	18	FRP PANELS (SCORDED) G.C. TO SHIRT JOINT F.R.P. PANELS TO BE INSTALLED BY TENANT G.C. SEE CABINETS NOTE FOR MANUFACTURER
9	4" W x 1" H VINYL BASE	19	FRP PANELS (SCORDED) G.C. TO SHIRT JOINT F.R.P. PANELS TO BE INSTALLED BY TENANT G.C. SEE CABINETS NOTE FOR MANUFACTURER
10	FRP PANELS SEE FINISH SCHEDULE	20	30" W x 36" H PREFABRICATED WOODGRAN BASE CABINETS SUPPLIED & INSTALLED BY TENANT G.C. SEE CABINETS NOTE FOR MANUFACTURER
11	24" PREFABRICATED WOODGRAN BASE CABINET SUPPLIED & INSTALLED BY TENANT G.C. SEE CABINETS NOTE FOR MANUFACTURER	21	30" W x 36" H PREFABRICATED WOODGRAN BASE CABINETS SUPPLIED & INSTALLED BY TENANT G.C. SEE CABINETS NOTE FOR MANUFACTURER
12	30" W x 36" H PREFABRICATED WOODGRAN BASE CABINETS SUPPLIED & INSTALLED BY TENANT G.C. SEE CABINETS NOTE FOR MANUFACTURER	22	30" W x 36" H PREFABRICATED WOODGRAN BASE CABINETS SUPPLIED & INSTALLED BY TENANT G.C. SEE CABINETS NOTE FOR MANUFACTURER
13	30" W x 36" H PREFABRICATED WOODGRAN BASE CABINETS SUPPLIED & INSTALLED BY TENANT G.C. SEE CABINETS NOTE FOR MANUFACTURER	23	30" W x 36" H PREFABRICATED WOODGRAN BASE CABINETS SUPPLIED & INSTALLED BY TENANT G.C. SEE CABINETS NOTE FOR MANUFACTURER
14	STAINLESS STEEL ELIXION DOOR TO DEMO STATION. SEE ELEVATION THIS SHEET, SUPPLIED BY MANUFACTURER	24	30" W x 36" H PREFABRICATED WOODGRAN BASE CABINETS SUPPLIED & INSTALLED BY TENANT G.C. SEE CABINETS NOTE FOR MANUFACTURER
15	FRP PANELS. SEE FINISH SCHEDULE ON SHEET A-6	25	FRP PANELS (SCORDED) G.C. TO SHIRT JOINT F.R.P. PANELS TO BE INSTALLED BY TENANT G.C. SEE CABINETS NOTE FOR MANUFACTURER
16	FRP PANELS (SCORDED) G.C. TO SHIRT JOINT F.R.P. PANELS TO BE INSTALLED BY TENANT G.C. SEE CABINETS NOTE FOR MANUFACTURER	26	FRP PANELS (SCORDED) G.C. TO SHIRT JOINT F.R.P. PANELS TO BE INSTALLED BY TENANT G.C. SEE CABINETS NOTE FOR MANUFACTURER
17	FRP PANELS (SCORDED) G.C. TO SHIRT JOINT F.R.P. PANELS TO BE INSTALLED BY TENANT G.C. SEE CABINETS NOTE FOR MANUFACTURER	27	FRP PANELS (SCORDED) G.C. TO SHIRT JOINT F.R.P. PANELS TO BE INSTALLED BY TENANT G.C. SEE CABINETS NOTE FOR MANUFACTURER
18	FRP PANELS (SCORDED) G.C. TO SHIRT JOINT F.R.P. PANELS TO BE INSTALLED BY TENANT G.C. SEE CABINETS NOTE FOR MANUFACTURER	28	FRP PANELS (SCORDED) G.C. TO SHIRT JOINT F.R.P. PANELS TO BE INSTALLED BY TENANT G.C. SEE CABINETS NOTE FOR MANUFACTURER
19	FRP PANELS (SCORDED) G.C. TO SHIRT JOINT F.R.P. PANELS TO BE INSTALLED BY TENANT G.C. SEE CABINETS NOTE FOR MANUFACTURER	29	FRP PANELS (SCORDED) G.C. TO SHIRT JOINT F.R.P. PANELS TO BE INSTALLED BY TENANT G.C. SEE CABINETS NOTE FOR MANUFACTURER

**CABINETS NOTE:**  
ALL PREFABRICATED CABINETS IN DEMO STATION DEMO ROOM AND RESTROOM ETC. TO BE DISTINGUISH CABINETS COLOR NATURAL MAPLE OR APPROVED EQUAL. ANY SUBSTITUTION SHALL BE SUBMITTED TO TRADER JOES REP. FOR REVIEW

**NOTES:**  
ALL COUNTER-TOP WALL AND BASE CABINETS DIMENSIONS SHALL BE VERIFIED IN THE FIELD AND COORDINATED WITH TRADER JOES REP BEFORE ANY WORK FOR THE DEMO STATION IS STARTED.  
ALL WALLS AND CEILING FINISHES IN THE DEMO ROOM DEMO STATION OLET ROOMS AND WALK-IN COOLERS SHALL BE THESE FINISHES. ALL LIGHT REFLECTANCE OF 10% OR GREATER. SEE ROOM FINISH SCHEDULE DRAWING A-6.  
ALL COUNTERS AND CUSTOM SHELVING IS TO BE OF CABINET QUALITY CONSTRUCTION WITH ALL SURFACES SMOOTH AND ALL CRACKS AND CREVICES SEALED WITH CALKING-TYPE SEALANT.