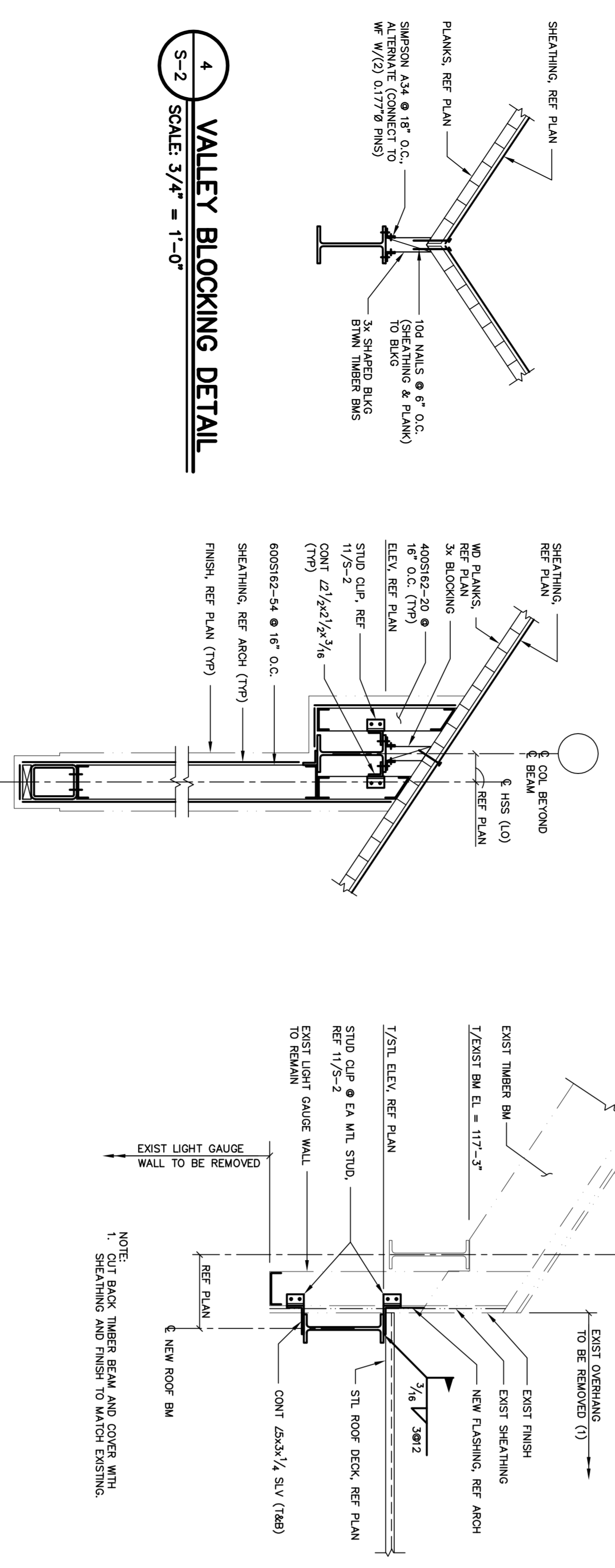


1 TYPICAL CANOPY SECTION
S-2 SCALE 3/4" = 1'-0"

2 CANOPY SECTION AT RIDGE
S-2 SCALE 3/4" = 1'-0"

3 CANOPY SECTION AT VALLEY
S-2 SCALE 3/4" = 1'-0"

3A DETAIL
S-2 SCALE 3/4" = 1'-0"



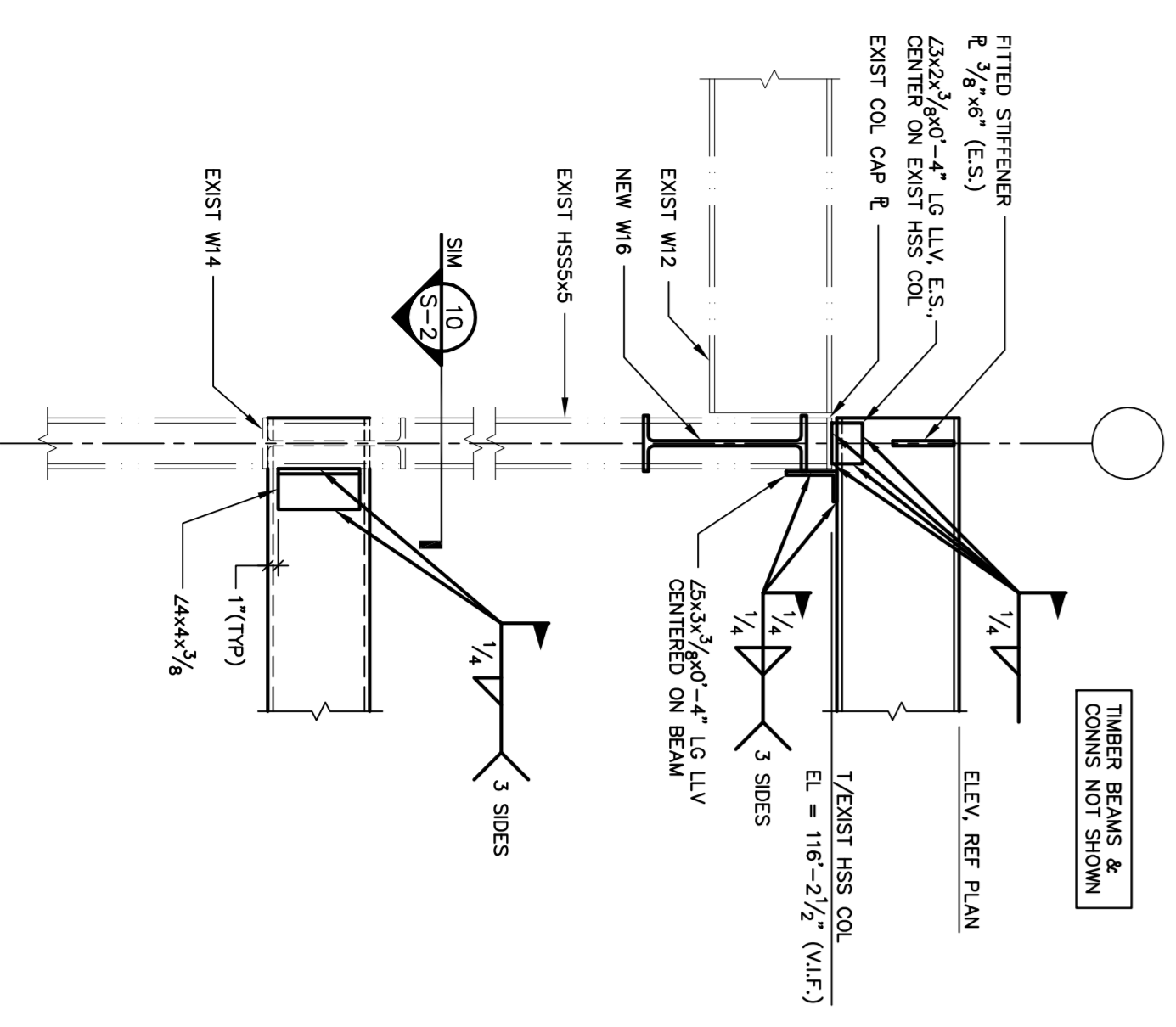
4 VALLEY BLOCKING DETAIL
S-2 SCALE 3/4" = 1'-0"

5 CANOPY SECTION AT END
S-2 SCALE 3/4" = 1'-0"

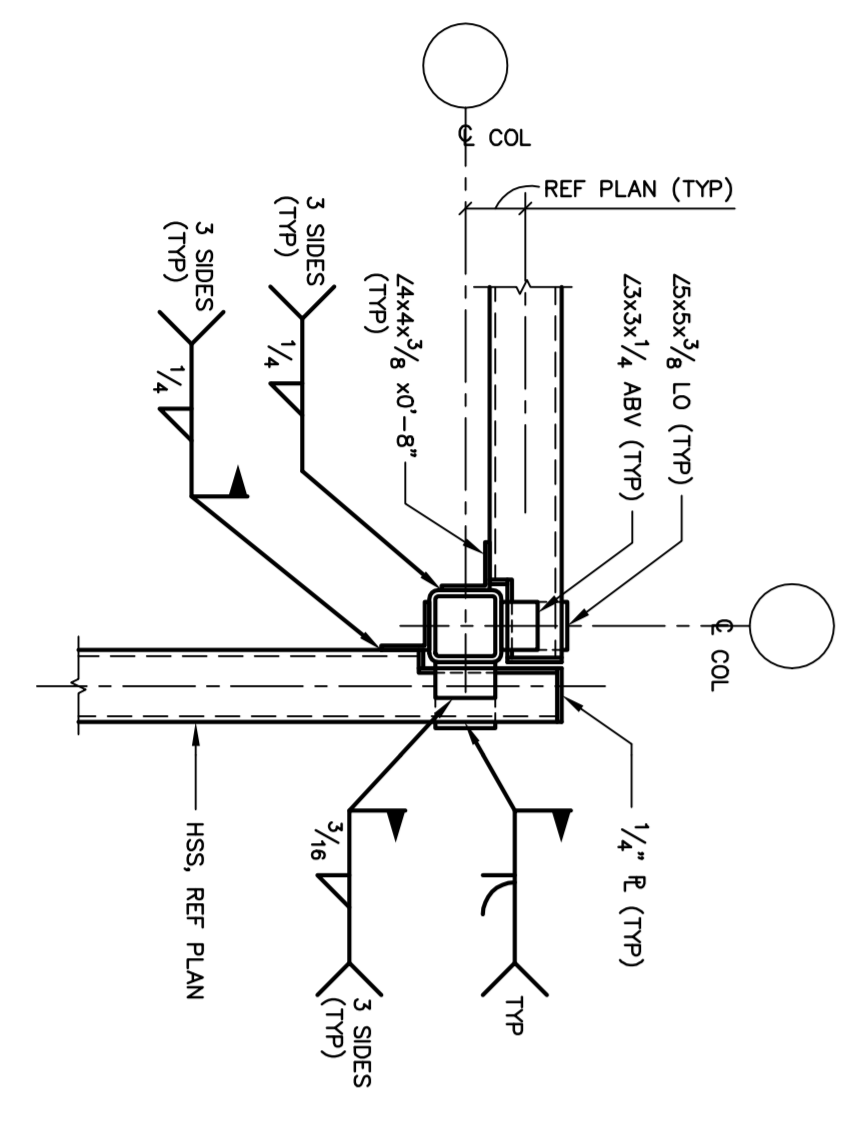
6 SECTION
S-2 SCALE 3/4" = 1'-0"

7 SECTION
S-2 SCALE 3/4" = 1'-0"

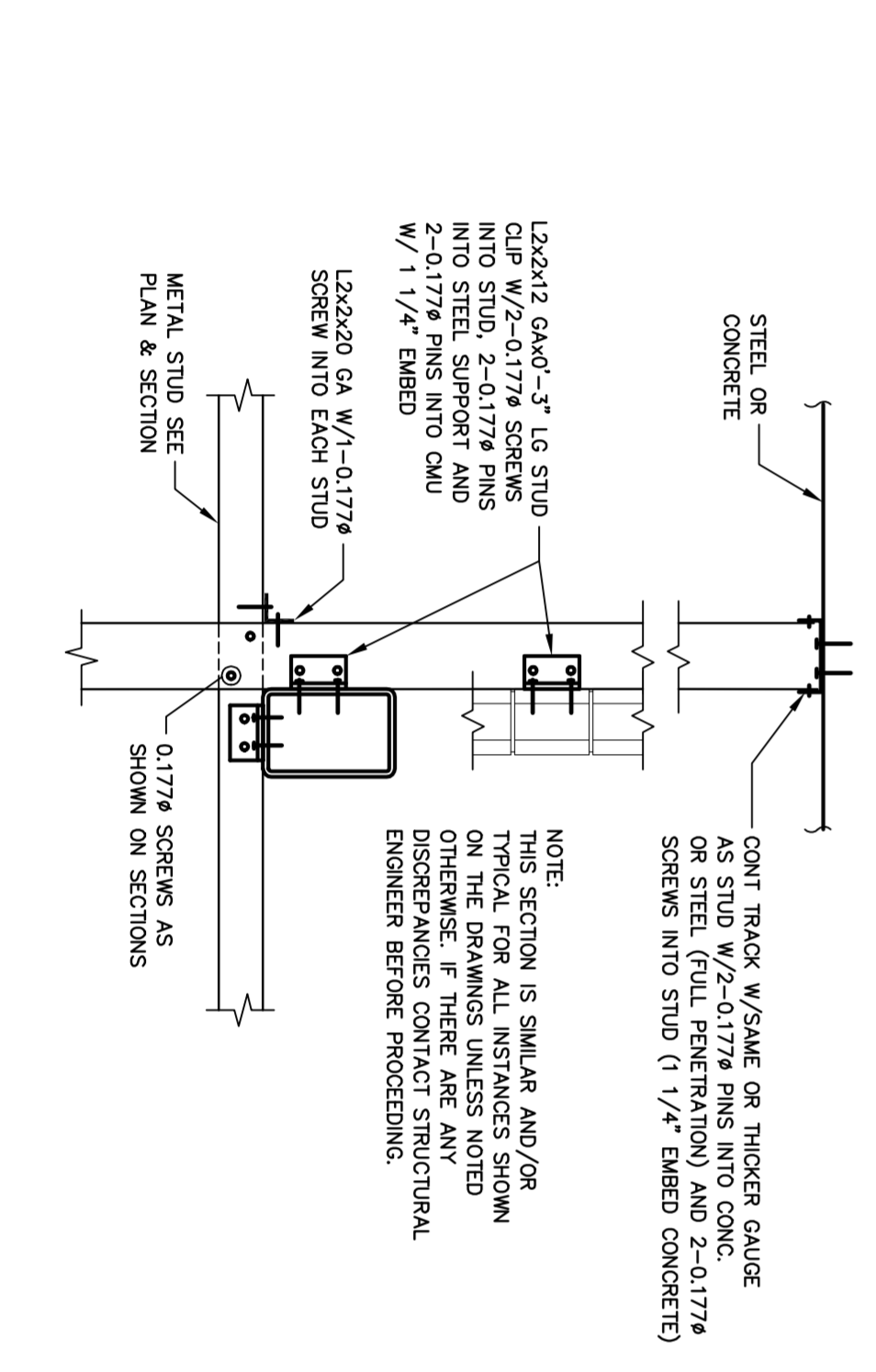
8 COLUMN EXTENSION DETAIL
S-2 SCALE 3/4" = 1'-0"



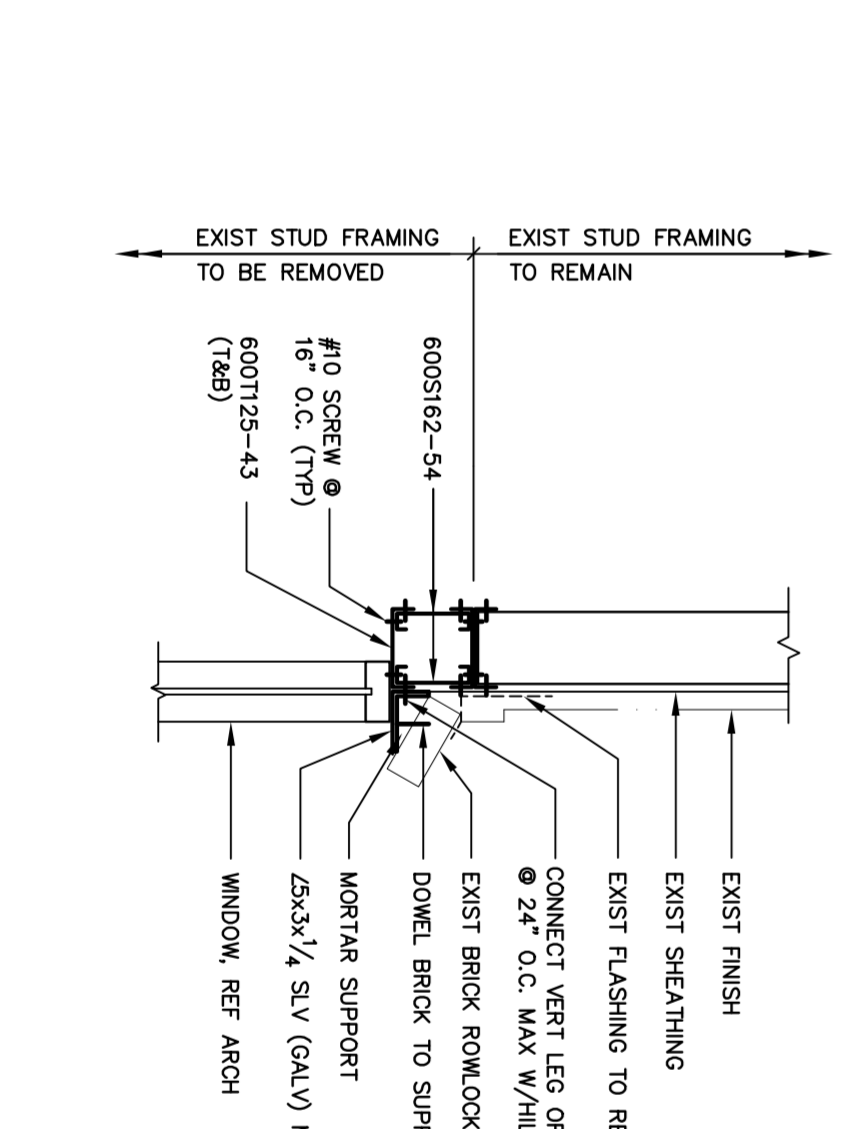
9 SECTION
S-2 SCALE 3/4" = 1'-0"



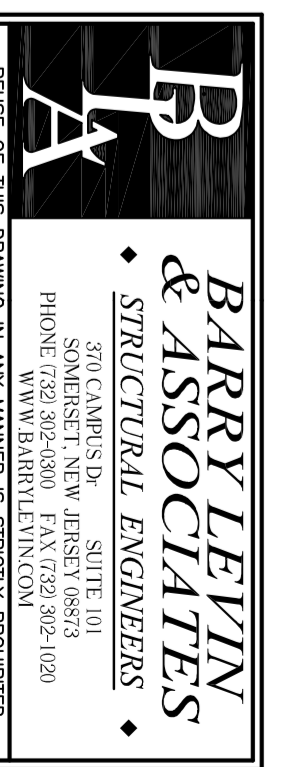
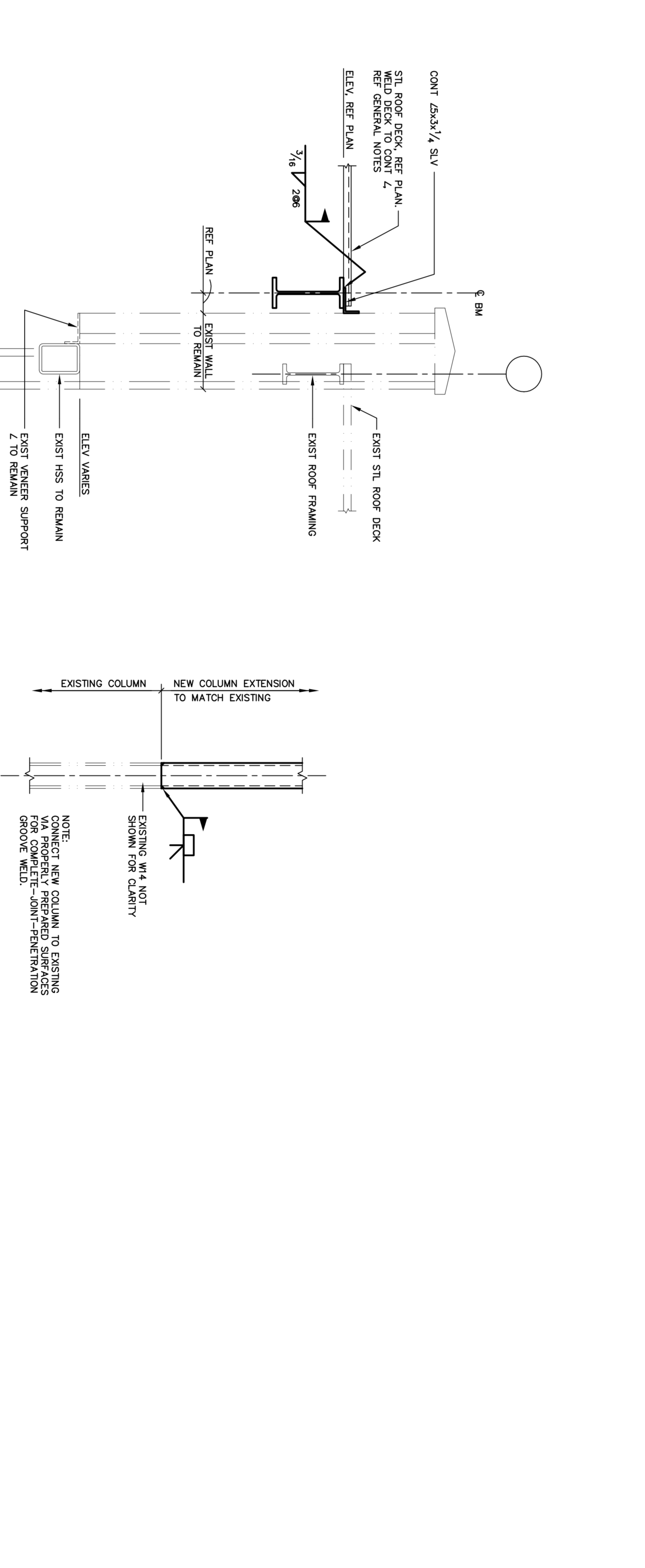
10 HSS BEAM TO HSS COL DETAIL
S-2 SCALE 3/4" = 1'-0"



11 TYPICAL LIGHT-GAGE CONNECTIONS
S-2 SCALE 3/4" = 1'-0"



12 UNITEL DETAIL
S-2 SCALE 3/4" = 1'-0"



Jeffrey Taylor
Architect
572 North Broadway
White Plains, N.Y. 10603
Tel: 914 299 0011
Fax: 914 299 0022

PROJECT TRADER JOE'S 81 MARGINAL WAY FORTLAND, ME. 04101	SALES : 17,224 sq. ft.	DATE : 04/28/10	REVISIONS	COMMENTS
SHEET NAME SECTIONS AND DETAILS	STOCK : 5,424 sq. ft.	JOB No. FT-1012	NO.	DATE
	MISC. : 1,464 sq. ft.	DRAWN BY: FTA		
	TOTAL : 23,930 sq. ft.	TENANT STORE No. XXX		
		SPACE No. XXXX		