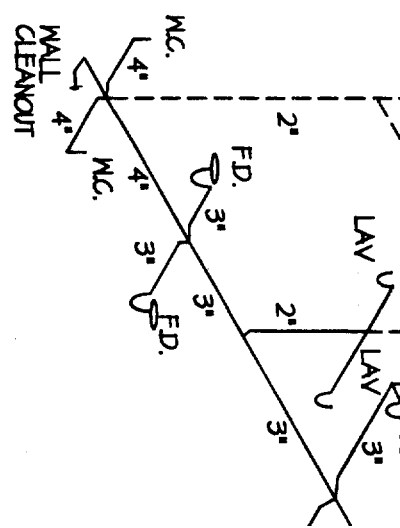
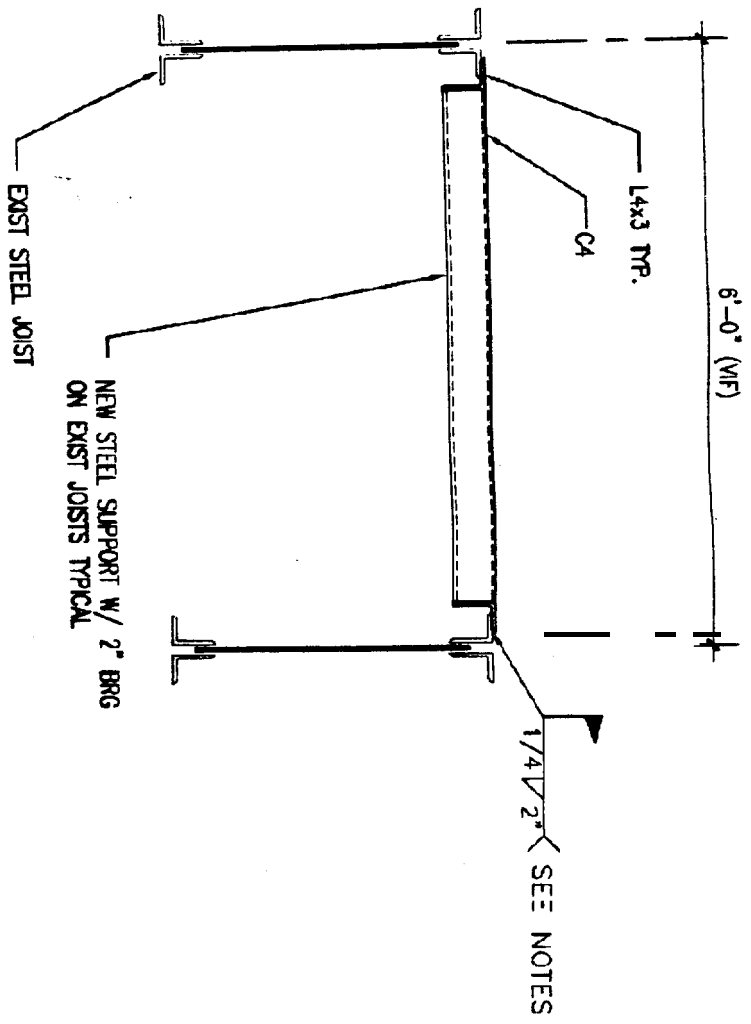


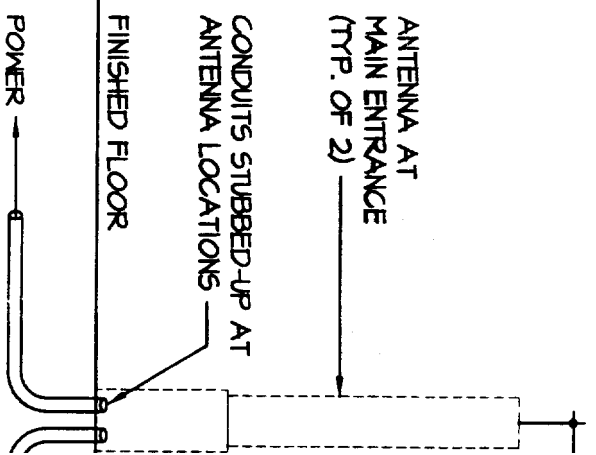
NAME

1/2" BEARING FLANGE

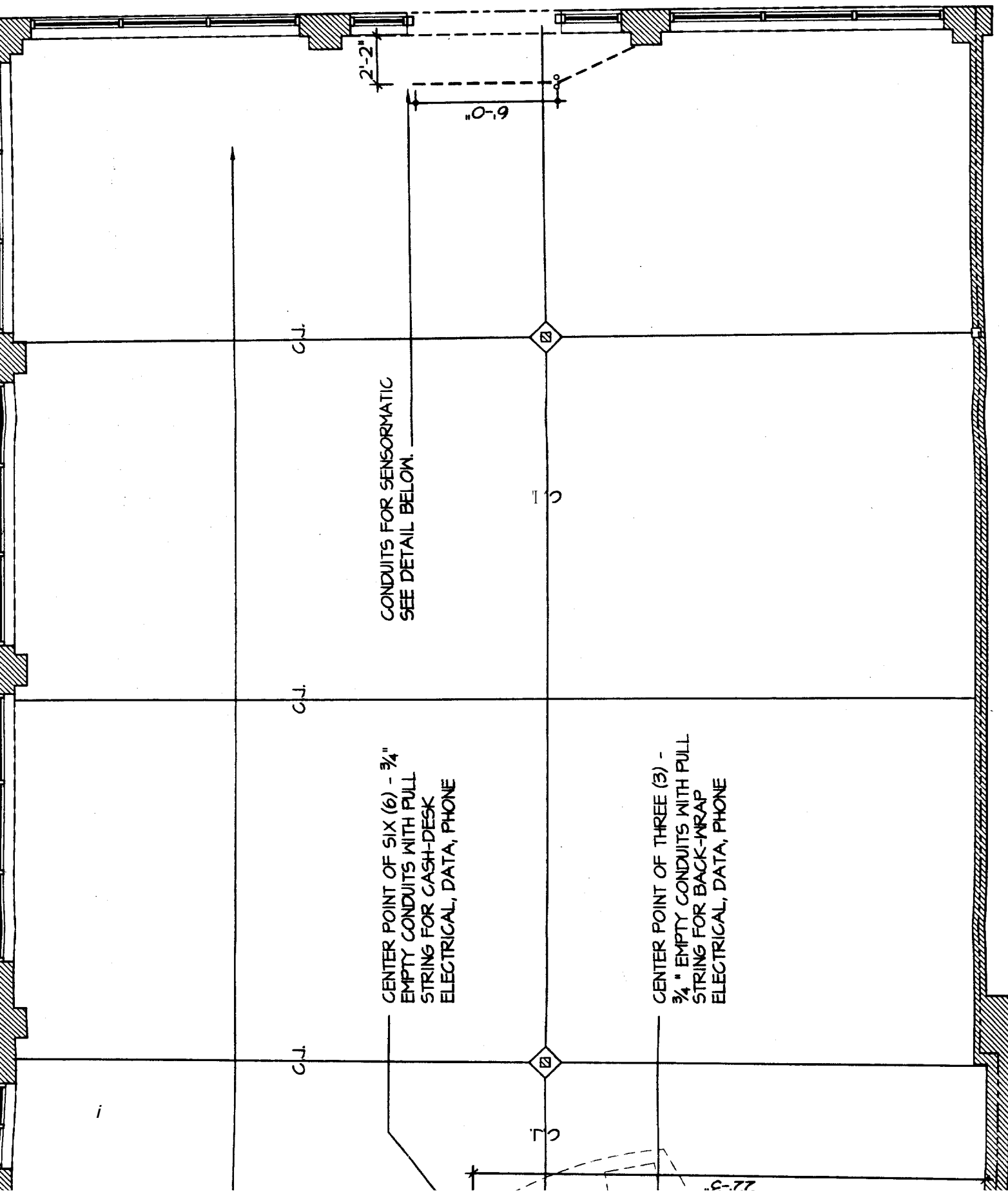
TYP. SECTION THRU NEW SUPPORT



Sanitary Riser Dic
Scale: N.I.S.



Ultra-Post II Secur

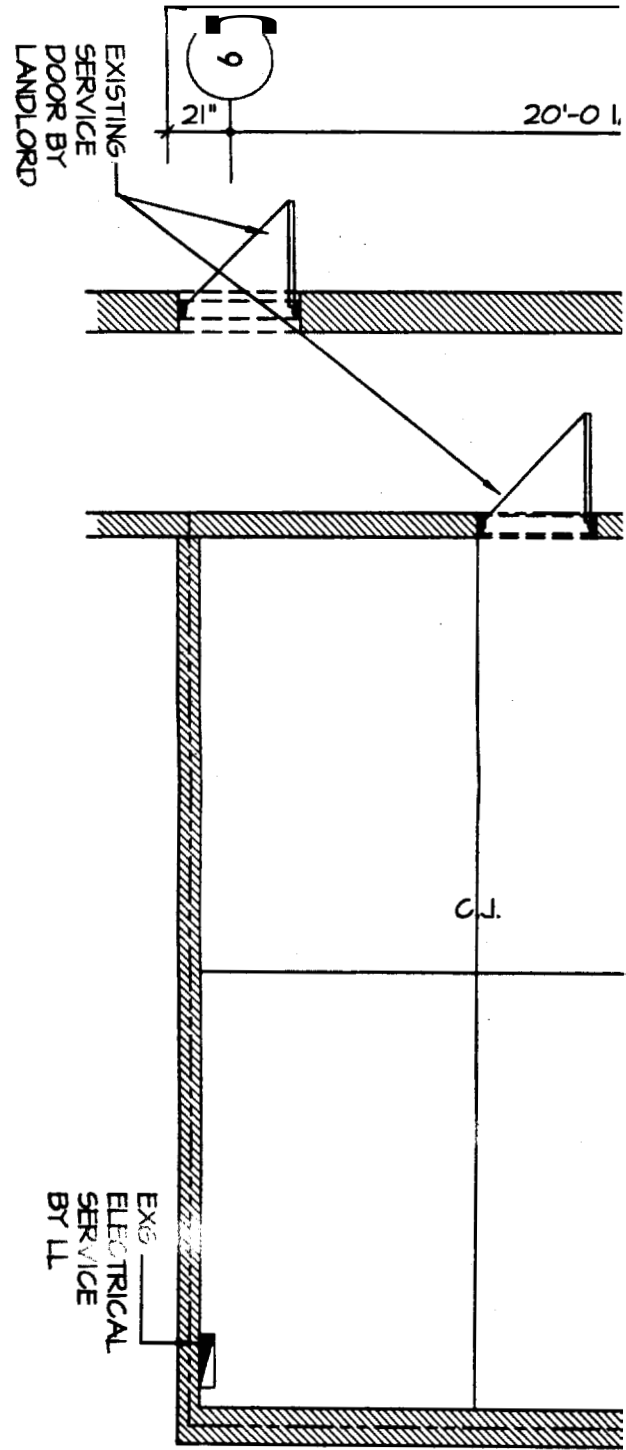


CONDUITS FOR SENSORMATIC
SEE DETAIL BELOW.

CENTER POINT OF SIX (6) - 3/4"
EMPTY CONDUITS WITH PULL
STRING FOR CASH-DESK
ELECTRICAL, DATA, PHONE

CENTER POINT OF THREE (3) -
3/4" EMPTY CONDUITS WITH PULL
STRING FOR BACK-WRAP
ELECTRICAL, DATA, PHONE

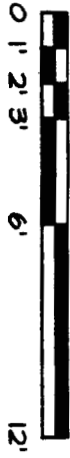
CONNECT TO L/L'S SANITARY



A

Slab/Roof Curb Plan

SCALE : 3/16" = 1'-0"



5" CONC.
DESIGN N
RATIO OF
BARRIER
GRAVEL

C.L.

C.L.

C.L.

C.L.

3

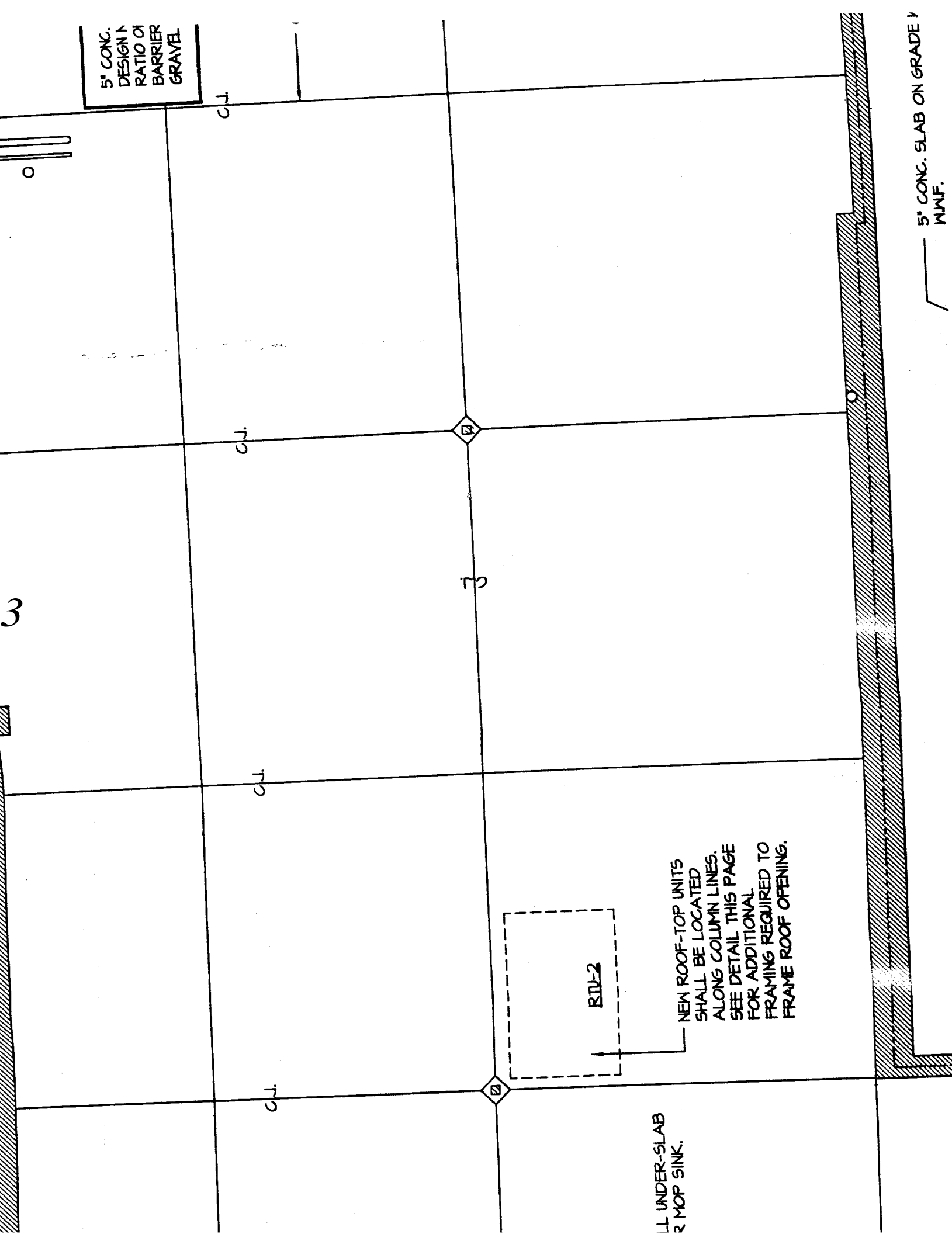
3

RTU-2

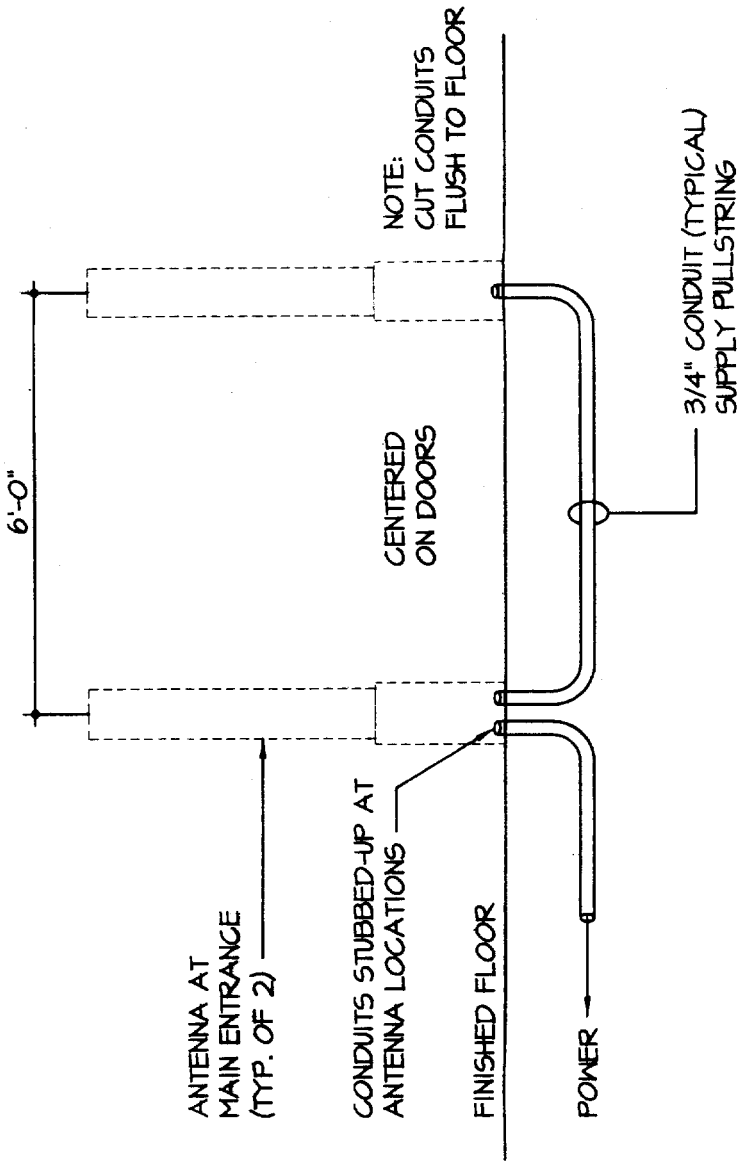
NEW ROOF-TOP UNITS
SHALL BE LOCATED
ALONG COLUMN LINES.
SEE DETAIL THIS PAGE
FOR ADDITIONAL
FRAMING REQUIRED TO
FRAME ROOF OPENING.

ALL UNDER-SLAB
OR MOP SINK.

5" CONC. SLAB ON GRADE
W.W.F.



NOTES



D Ult a-ost II Security System Conduit Detail

Scale: N.T.S.

PROJECT:

AEMS #146
EASTERN MOUNTAIN SPORTS

87 Marginal Way

Portland, ME

space #:

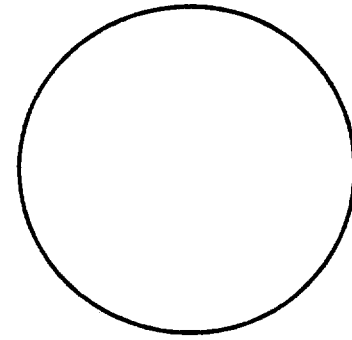
sq. ft.: 7902

job # 04201

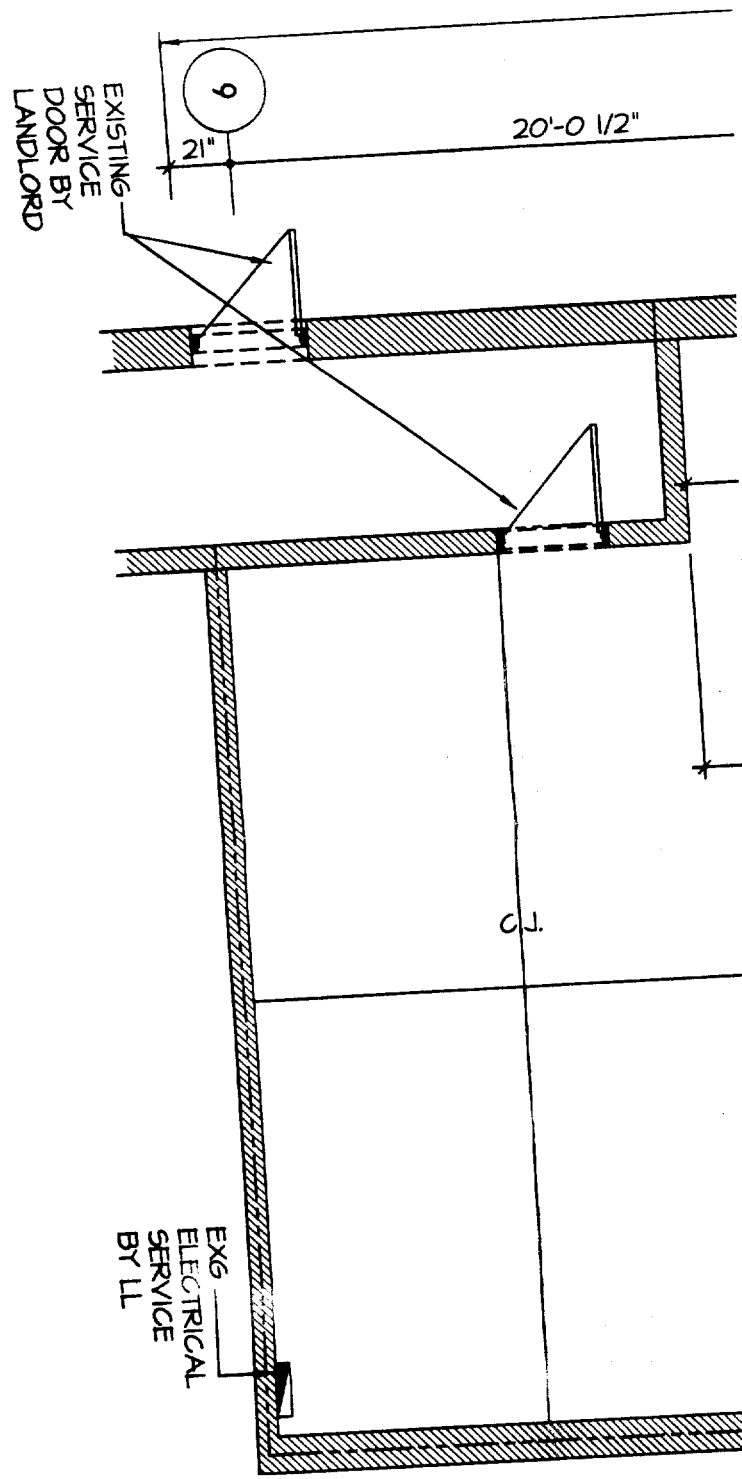
file: 33

Plan
g Plan

scale: AS NOTED



S.1



A
Slab/Roof Curb Plan
SCALE : 3/16" = 1'-0"
0' 1' 2' 3' 6' 12'

6'

C

31'-5 1/2"

B

32'-0 1/2"

200 PSI CONC. WITH MIX
EXCEED A WATER CEMENT
RATIO OF 6 MIL POLY VAPOR
THICK LAYER 5/8"
MT. BY T&C.

- JOINT, TYP,

C.L.

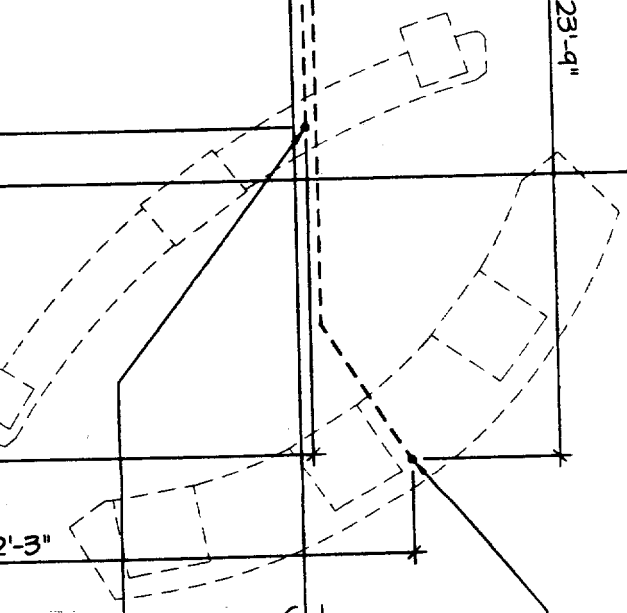
C.L.

C.L.

C.L.

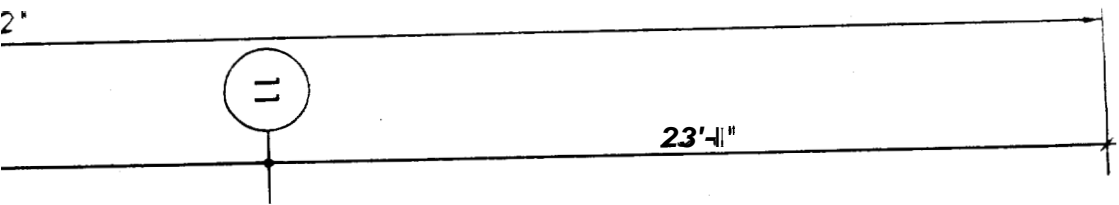
23'-9"

RTU-2

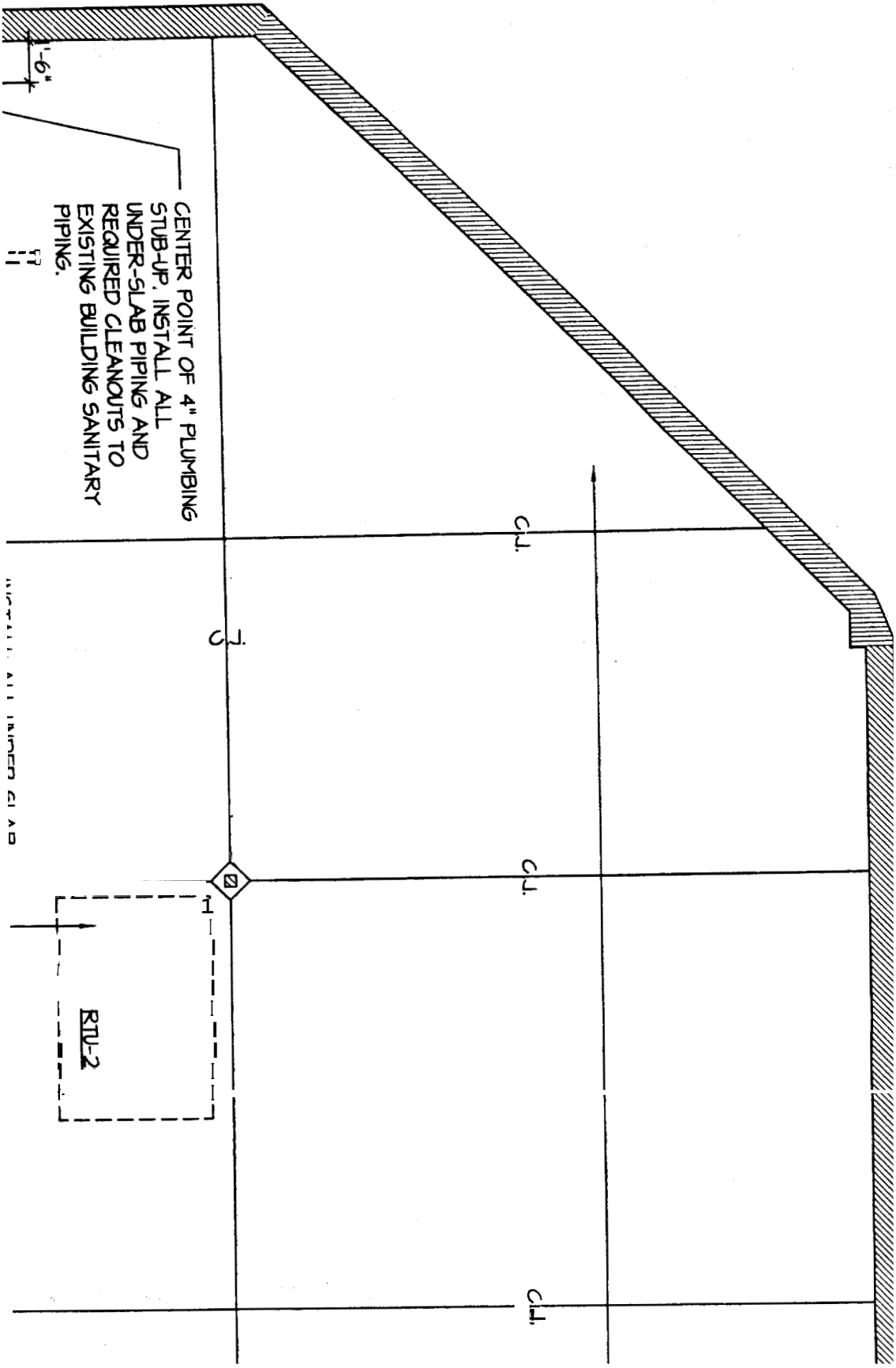


CENTER POINT OF SIX (6) - 3/4"
EMPTY CONDUITS WITH PULL
STRING FOR CASH-DESK
ELECTRICAL, DATA, PHONE

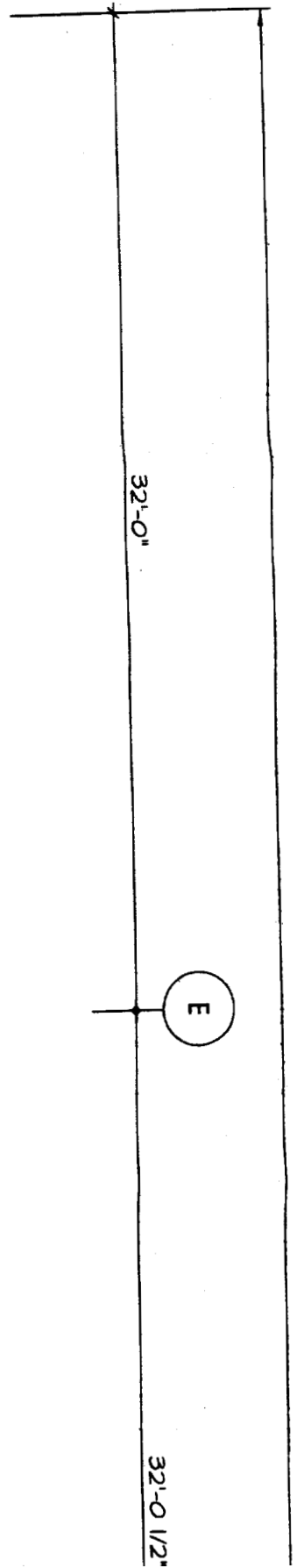
CENTER POINT OF THREE (3) -
3/4" EMPTY CONDUITS WITH PULL
STRING FOR BACK-WRAP
ELECTRICAL, DATA, PHONE



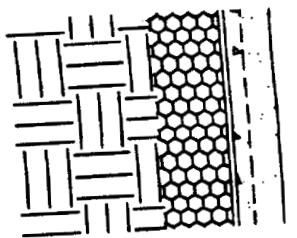
11



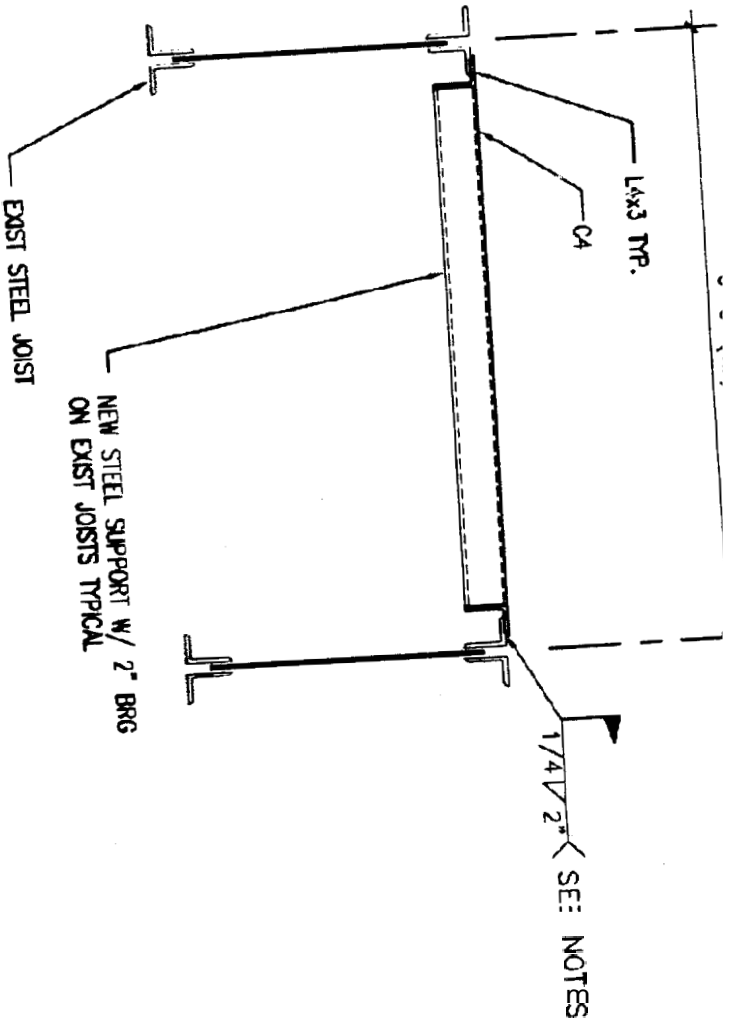
CENTER POINT OF 4" PLUMBING
STUB-UP. INSTALL ALL
UNDER-SLAB PIPING AND
REQUIRED CLEANOUTS TO
EXISTING BUILDING SANITARY
PIPING.



E

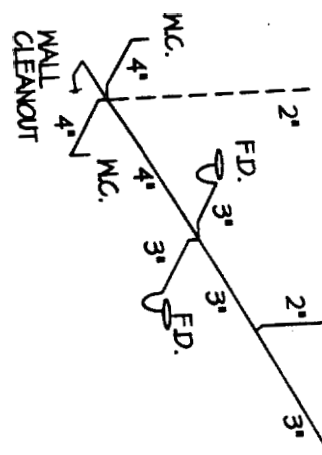


COORDIANTE WITH OPENING
REQUIREMENTS OF
MECHANICAL UNIT

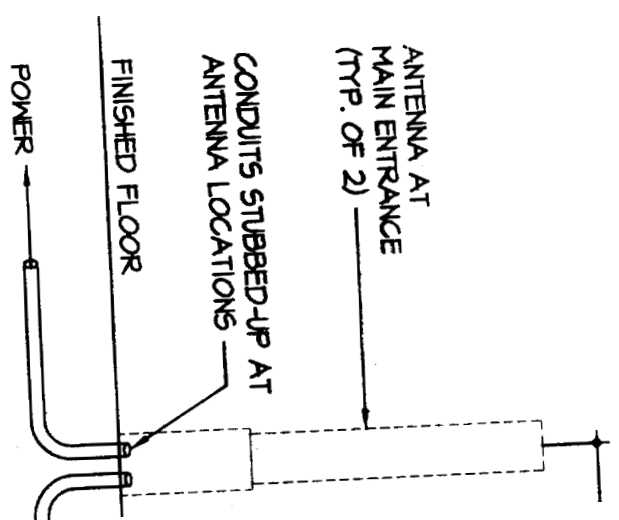


TYP. SECTION THRU NEW SUPPORT

AE
BEARING
KCE.

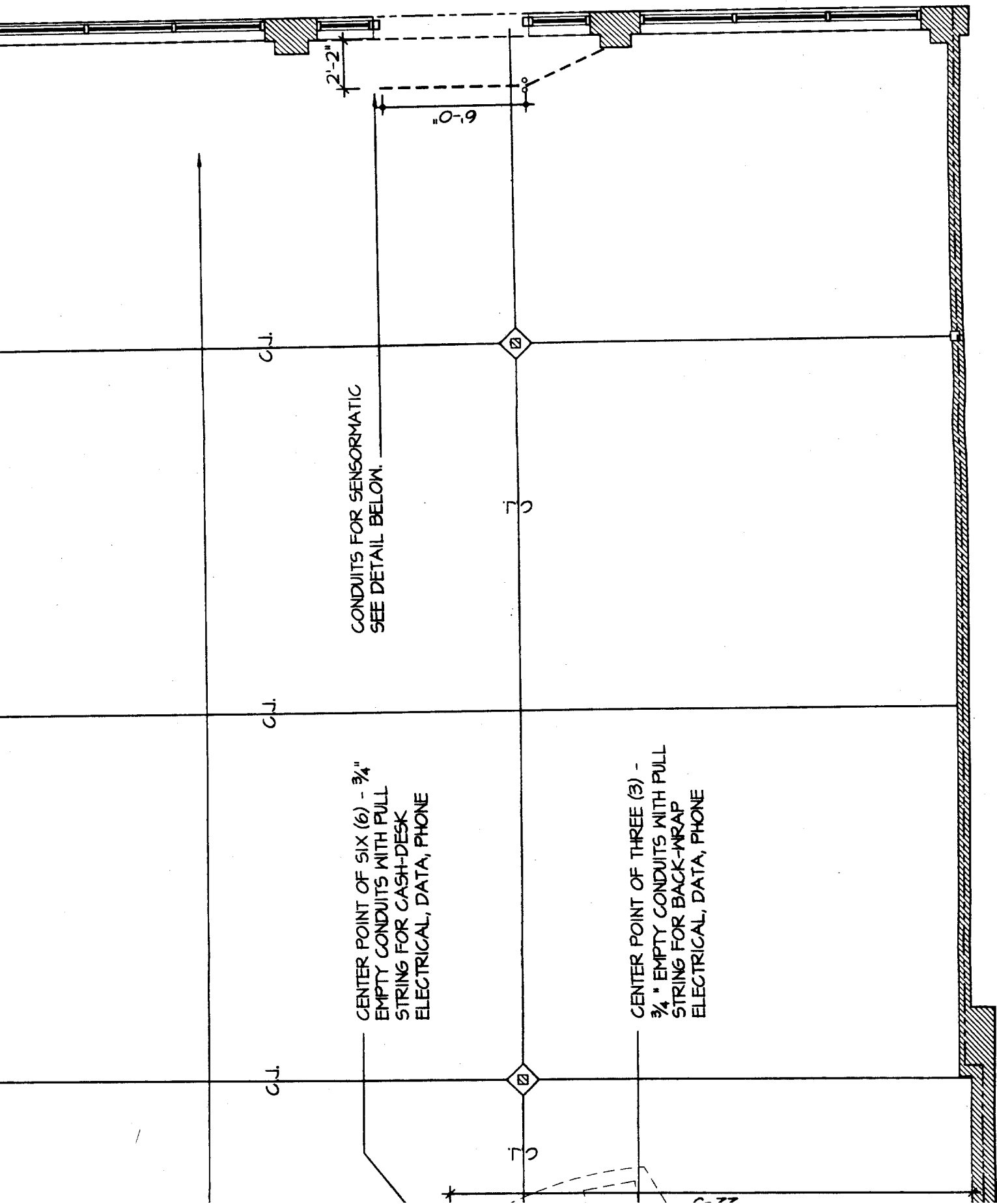


C Sanitary Riser Diag
Scale: N.T.S.



D Ultra-Post II Securi
Scale: N.T.S.

PROJECT:

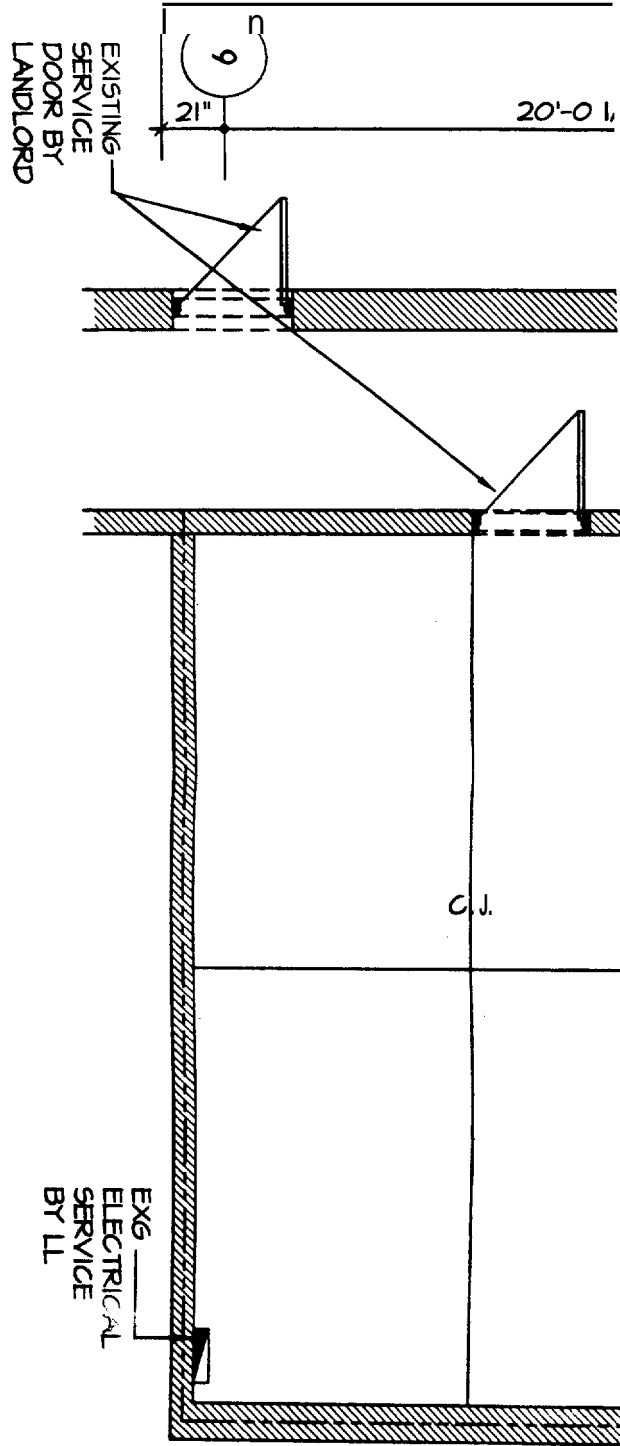


CONDUITS FOR SENSORMATIC
SEE DETAIL BELOW.

CENTER POINT OF SIX (6) - 3/4"
EMPTY CONDUITS WITH FULL
STRING FOR CASH-DESK
ELECTRICAL, DATA, PHONE

CENTER POINT OF THREE (3) -
3/4" EMPTY CONDUITS WITH FULL
STRING FOR BACK-WRAP
ELECTRICAL, DATA, PHONE

CONNECT TO L.A.'S SANITARY
PIPING STUB-IN



A

Slab/Roof Curb Plan

SCALE : 3/16" = 1'-0"



5" CONC
DESIGN 1
RATIO 0
BARRIER
GRAVEL

C.J.

C.J.

C.J.

C.J.

C.L.

RTU-2

NEW ROOF-TOP UNITS
SHALL BE LOCATED
ALONG COLUMN LINES.
SEE DETAIL THIS PAGE
FOR ADDITIONAL
FRAMING REQUIRED TO
FRAME ROOF OPENING.

UNDER-SLAB
MOP SINK.

