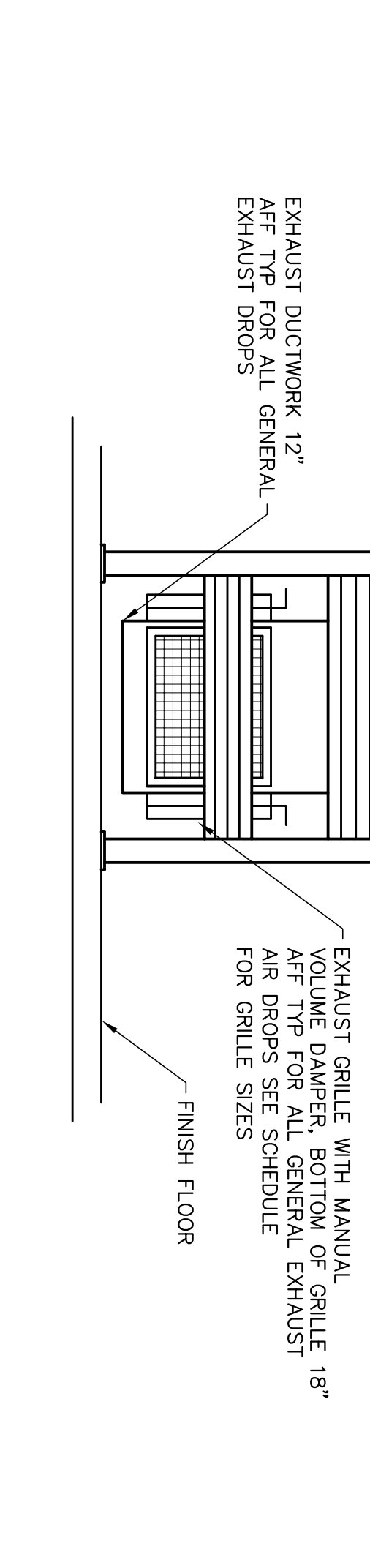
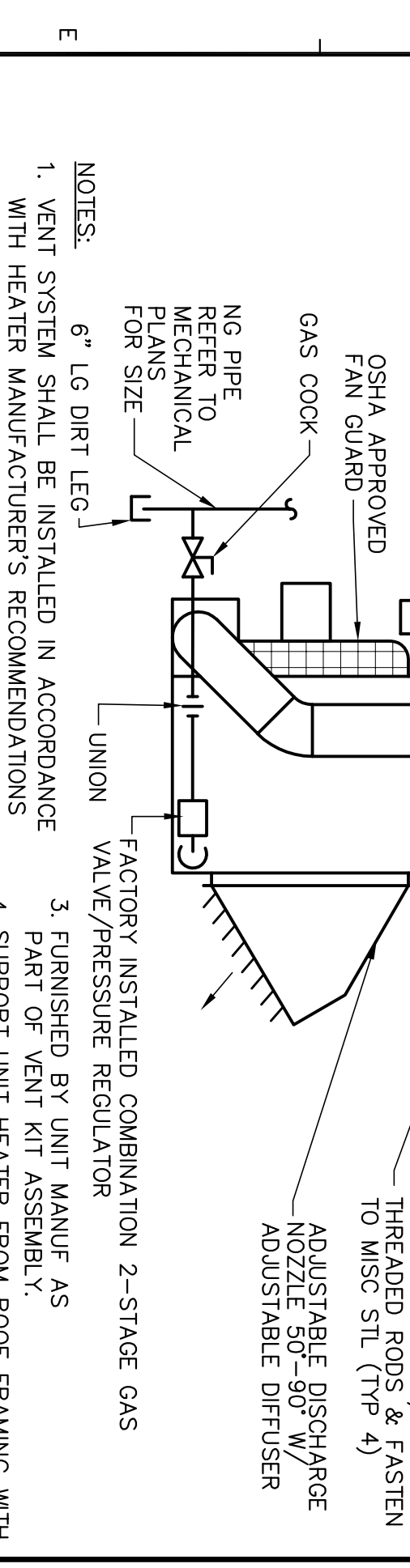


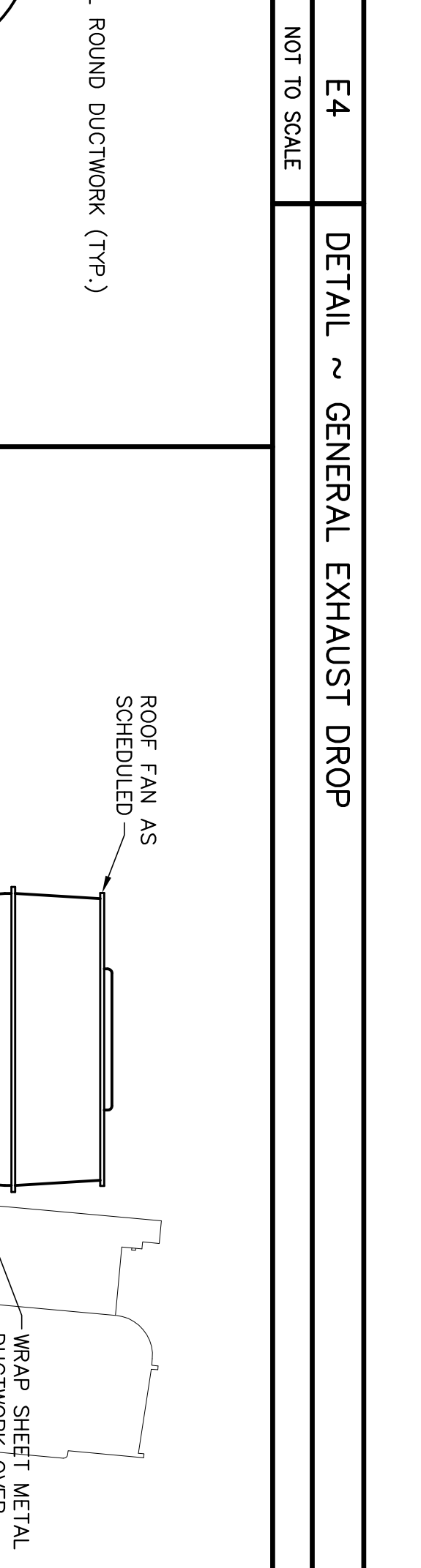
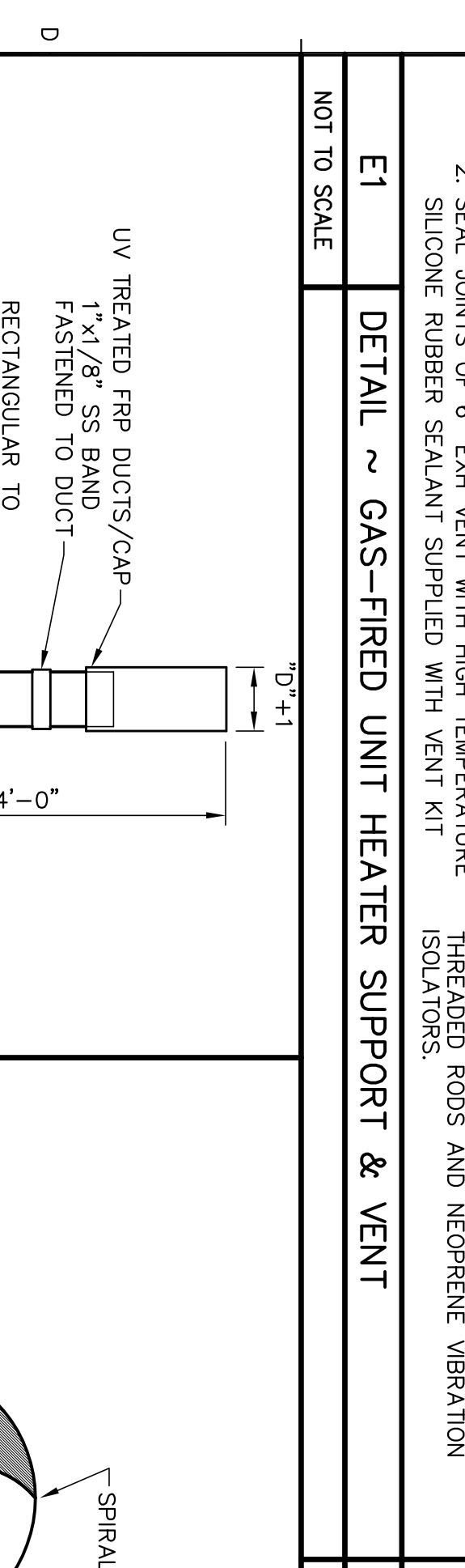
FAN SCHEDULE

TAG	CFG. MODEL	LOCATION	SERVES	TYPE	DRIVE	CFM	SP	MAX RPM	MHP	MAX VOLTS/PH	MAX WEIGHT (LBS.)	NOTES
EF-1	COOK - AGRUB 210R88	ROOF	GARAGE	CENTRIFUGAL BELT	6000	0.5	1.64	2	1140	208-230/360	25	250
EF-2	COOK - AGRUB 210R88	ROOF	GARAGE	CENTRIFUGAL BELT	6000	0.5	1.64	2	1140	208-230/360	25	250
EF-3	COOK - AGRUB 210R88	ROOF	GARAGE	CENTRIFUGAL BELT	6000	0.5	1.64	2	1140	208-230/360	25	250
EF-4	COOK - AGRUB 210R88	ROOF	GARAGE	CENTRIFUGAL BELT	6000	0.5	1.64	2	1140	208-230/360	25	250
EF-5	COOK - AGRUB 210R88	ROOF	GARAGE/REPAIR	CENTRIFUGAL BELT	5700	0.5	1.34	1.5	1055	208-230/360	22	238
EF-6	COOK - AGRUB 210R88	ROOF	GARAGE/REPAIR	CENTRIFUGAL BELT	5700	0.5	1.34	1.5	1055	208-230/360	22	238
EF-7	COOK - AGRUB 210R88	ROOF	GARAGE/REPAIR	CENTRIFUGAL BELT	5700	0.5	1.34	1.5	1055	208-230/360	22	238
EF-8	COOK - AGRUB 210R88	ROOF	GARAGE/REPAIR	CENTRIFUGAL BELT	5700	0.5	1.34	1.5	1055	208-230/360	22	238
EF-9	COOK - AGRUB 210R88	ROOF	WASH BAY	CENTRIFUGAL BELT	1400	0.5	0.21	0.25	1150	208-230/360	11.4	75
EF-10	COOK - AGRUB 135R28	ROOF	BAY	CENTRIFUGAL BELT	1000	0.5	0.12	0.16	1005	208-230/360	7.9	75
EF-11	COOK - AGRUB 135R28	ROOF	BATTERY BAY	CENTRIFUGAL BELT	1000	0.5	0.12	0.16	1005	208-230/360	7.9	75
EF-12	COOK - AGRUB 135R28	ROOF	BATTERY RM	CENTRIFUGAL BELT	600	1	0.28	0.25	1570	208-230/360	14.5	70
EF-13	COOK - AGRUB 150R48	ROOF	LUBE RM	CENTRIFUGAL BELT	150	0.5	0.10	0.13	1710	208-230/360	14.5	70
EF-14	COOK - AGRUB 150R48	ROOF	LUBE BAY	CENTRIFUGAL BELT	1800	0.5	0.29	0.33	1110	208-230/360	13.2	28
EF-15	COOK - AGRUB 150R48	ROOF	REPAIR BAY	CENTRIFUGAL BELT	3750	0.5	0.88	1	1130	208-230/360	16.6	126
EF-16	CARRION - CMB-35	ROOF	NEW REPAIR BAYS	CENTRIFUGAL BELT	6000	3.5	4.73	5	1480	208-230/360	450	3
EF-17	CARRION - CMB-35	ROOF	REPAIR BAY	CENTRIFUGAL BELT	5000	3.5	3.83	5	1686	208-230/360	450	3
EF-18	CARRION - CMB-25	ROOF	LUBE BAY	CENTRIFUGAL BELT	2000	3	1.45	2	1957	208-230/360	117.3	1
EF-19	COOK - 80 CUB	ROOF	FUME HOOD	CENTRIFUGAL BELT	1200	1	0.4	2	3295	208-230/360	117.3	1
EF-20	CARRION - CMB-25	ROOF	WELDING/WASH BAY	CENTRIFUGAL BELT	2000	3	1.45	2	1957	208-230/360	117.3	3



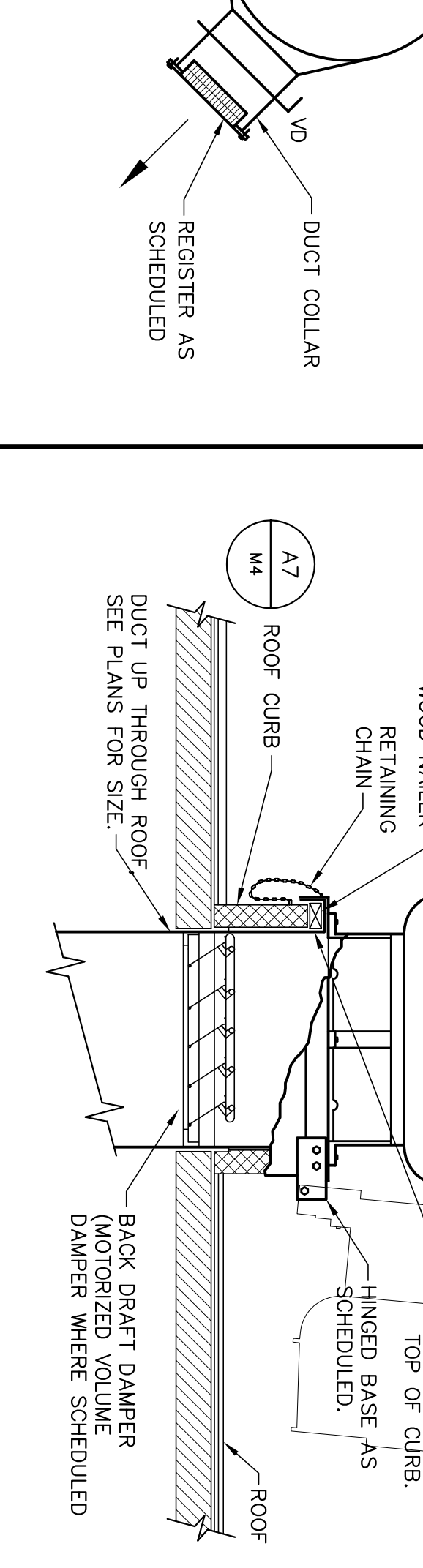
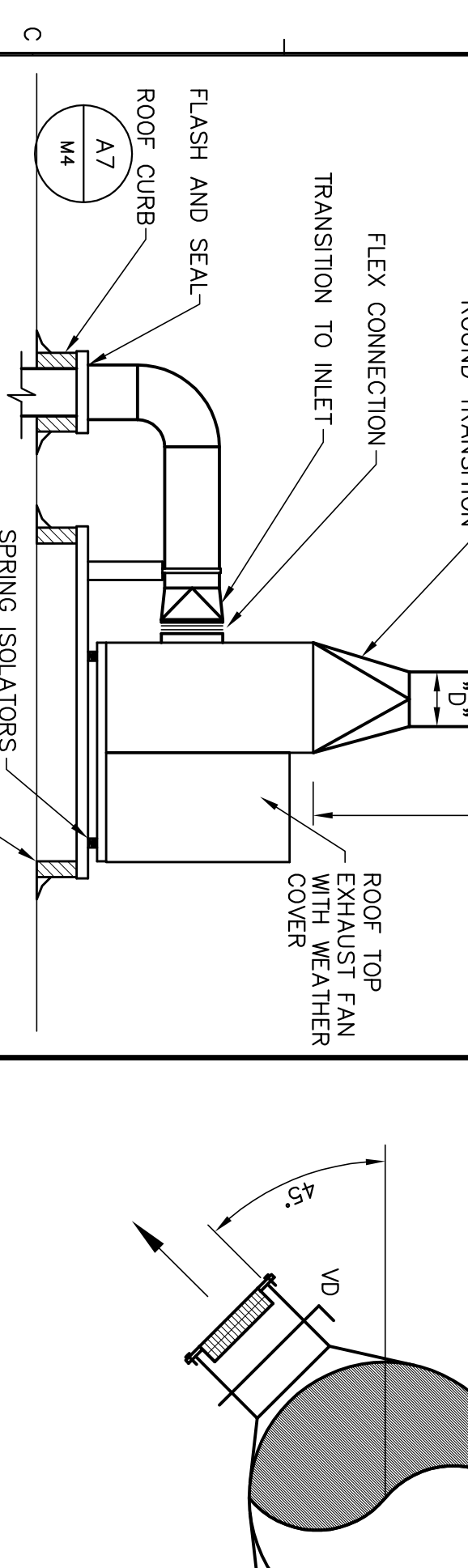
REGISTERS - GRILLES - DIFFUSERS SCHEDULE

TAG	PRICE MODEL	TYPE	NECK SIZE	FACE SIZE	CFM RANGE	MAX TOTAL PRESSURE DROP	MAX NC BORDER TYPE	NOTES
S1	H022	HIGH CAPACITY GRILL	18"x10"	18"x10"	700-1200	0.04	38	DUCT MOUNTED
S2	H021	HIGH CAPACITY DRUM	18"x10"	18"x10"	700-1200	0.06	38	DUCT MOUNTED
S3	H01	HIGH CAPACITY DRUM	18"x10"	18"x10"	700-1200	0.06	38	DUCT MOUNTED
S4	SCD	SO. CEILING SUPPLY DIFFUSER	8" DIA.	24" X24"	151-276	0.07"	22	LX-1N
E1	90	HEAVY DUTY GVM GRILLE	16"x16"	16"x16"	800-1200	0.031	31	DUCT MOUNTED
E2	90	HEAVY DUTY GVM GRILLE	12"x12"	12"x12"	400-600	0.031	30	DUCT MOUNTED
E3	90	HEAVY DUTY GVM GRILLE	8"x8"	8"x8"	200-400	0.04	31	DUCT MOUNTED
E4	90	HEAVY DUTY GVM GRILLE	6"x6"	6"x6"	0-200	0.04	29	DUCT MOUNTED



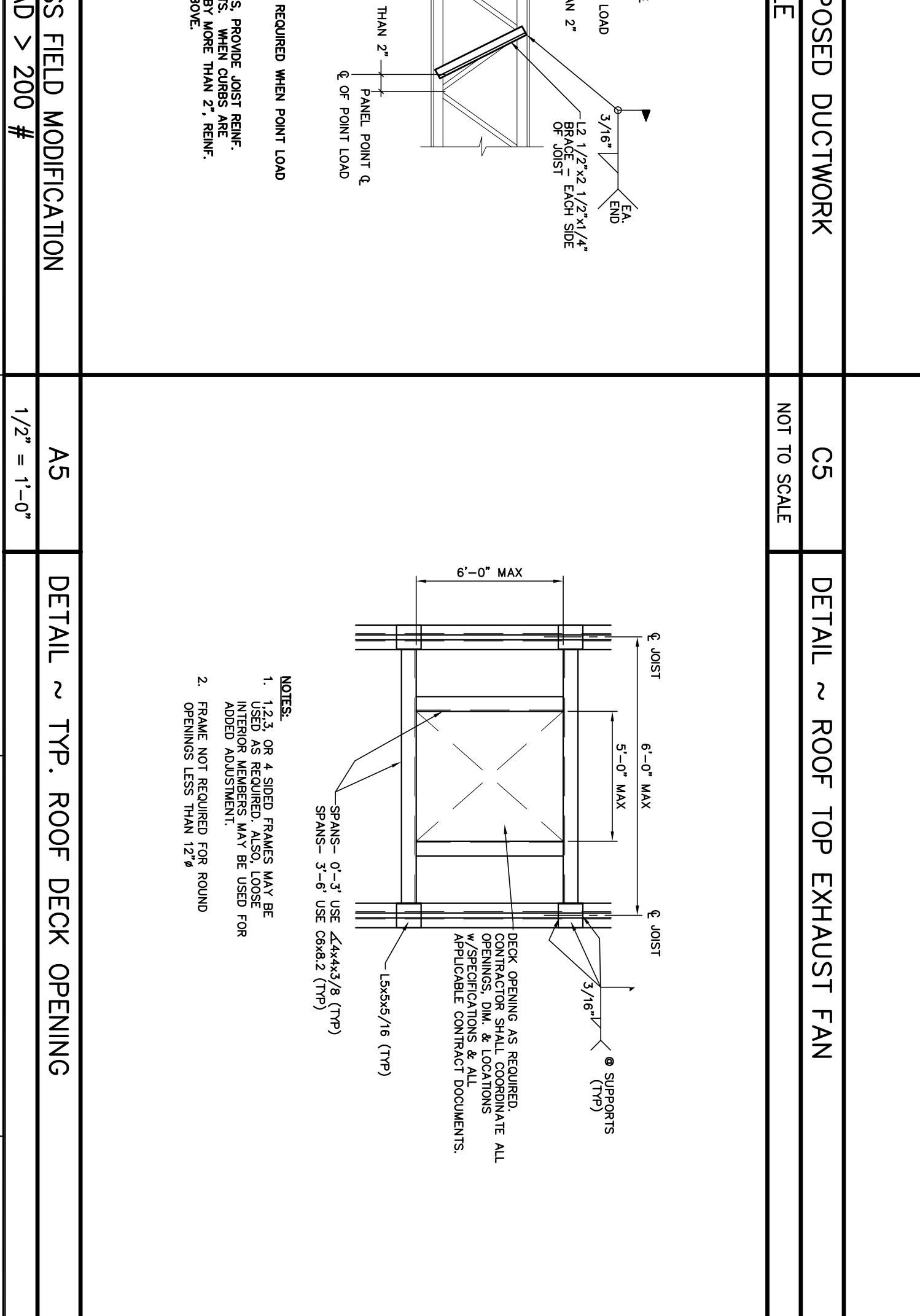
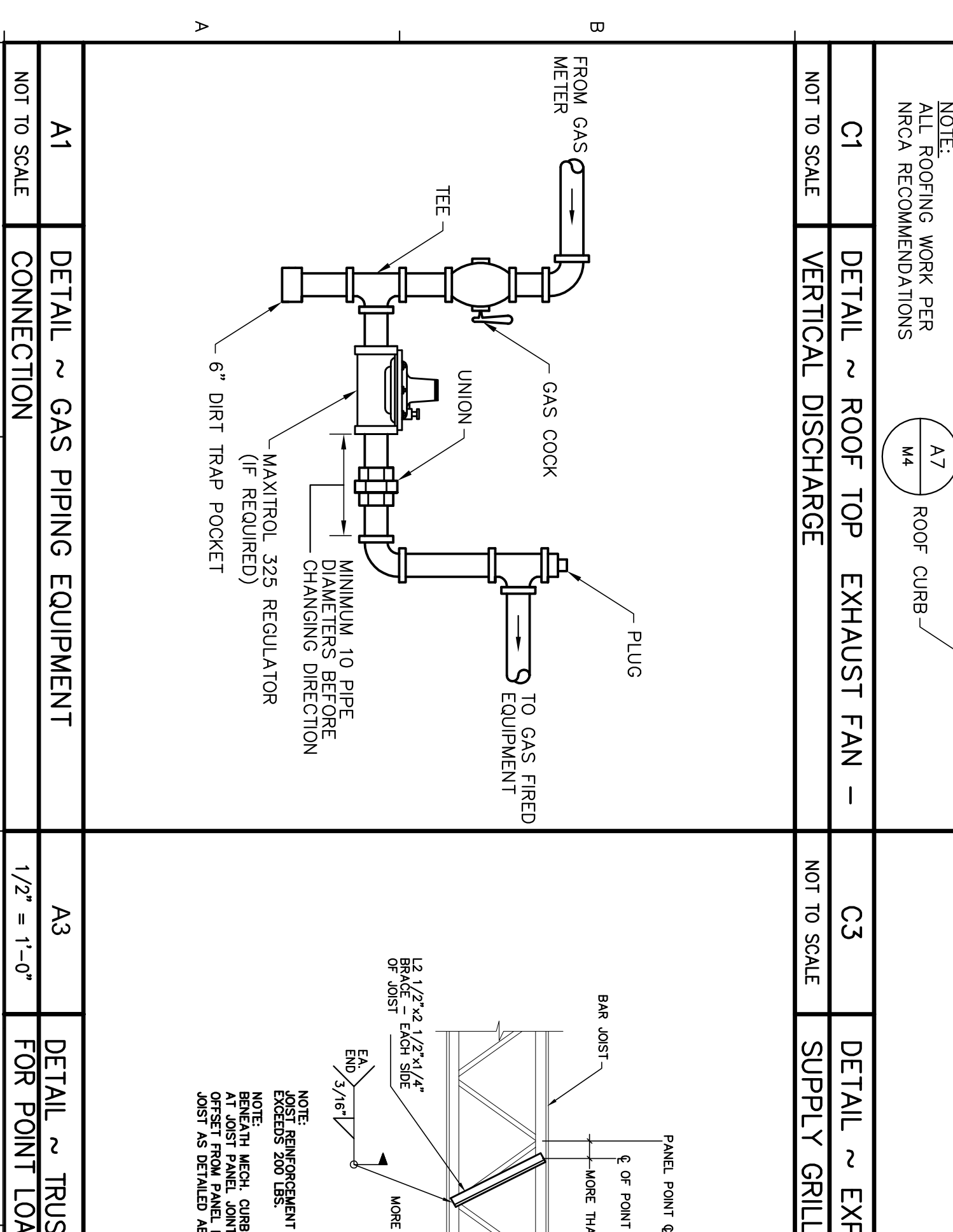
INDIRECT NATURAL GAS-FIRED MAKE-UP AIR UNIT SCHEDULE

TAG	TRANE MODEL	UNITS DIMENSIONS L X W X H (IN)	MINIMUM CFM	MEDIUM CFM	MAXIMUM CFM	TEMPERATURE RISE F	INPUT MBH	OUTPUT MBH	ESP INCH W.P.	FAN HP	FAN WEIGHT
MUA-1	GRAA12PDLFQNCSS	191x61x44	2700	-	11700	78 DEG	1200	960	2"	15	208-230/360
MUA-2	GRAA12PDLFQNCSS	191x61x44	3300	-	11700	78 DEG	1200	960	2"	15	208-230/360
MUA-3	GRAA12PDLFQNCSS	191x61x44	3000	7000	12000	74 DEG	1200	960	2"	15	208-230/360
MUA-4	GRAA12PDLFQNCSS	191x61x44	3000	-	12000	74 DEG	1200	960	2"	15	208-230/360
MUA-5	GRAA12PDLFQNCSS	191x61x44	2200	-	11000	80 DEG	1200	960	2"	15	208-230/360



NATURAL GAS FIRED UNIT HEATER SCHEDULE

TAG	TRANE MODEL	UNITS DIMENSIONS L X W X H (IN)	CFM	INPUT MBH	OUTPUT MBH	FAN MOTOR HP	RPM	AMPS	VOLTS/PH	THROW AT 15'-0"
UH-1	GANDDDAHF1	38x48x39	5300	400	320	(21)3	1140	9	115/160	80"
UH-2	GANDDDAHF1	38x48x39	5300	400	320	(21)3	1140	9	115/160	80"
UH-3	GANDDDAHF1	38x48x39	5300	400	320	(21)3	1140	9	115/160	80"



MECHANICAL SCHEDULES

TAG	TRANE MODEL	UNITS DIMENSIONS L X W X H (IN)	CFM	INPUT MBH	OUTPUT MBH	FAN MOTOR HP	RPM	AMPS	VOLTS/PH	THROW AT 15'-0"
UH-1	GANDDDAHF1	38x48x39	5300	400	320	(21)3	1140	9	115/160	80"
UH-2	GANDDDAHF1	38x48x39	5300	400	320	(21)3	1140	9	115/160	80"
UH-3	GANDDDAHF1	38x48x39	5300	400	320	(21)3	1140	9	115/160	80"