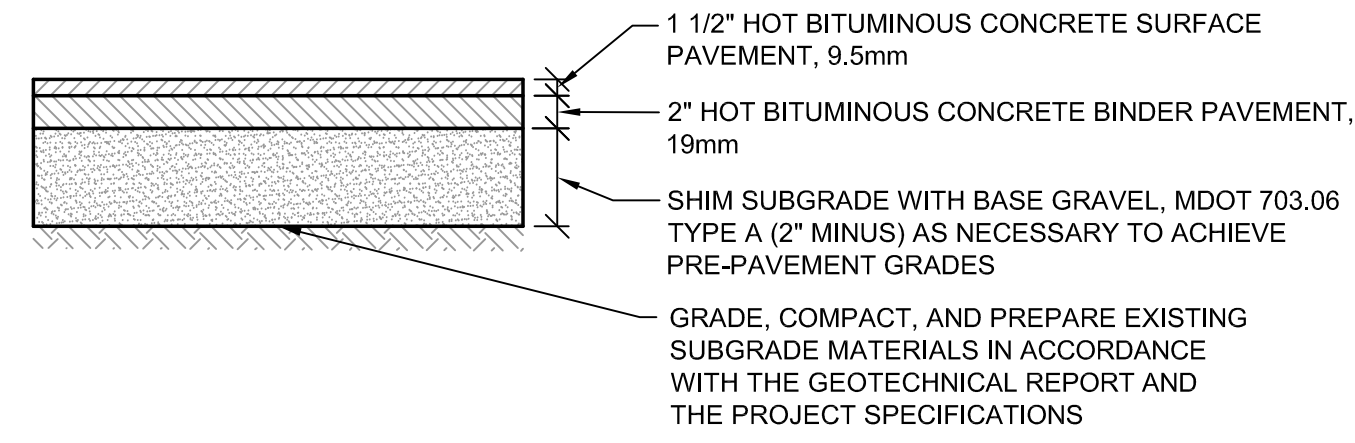


PRELIMINARY - NOT FOR CONSTRUCTION

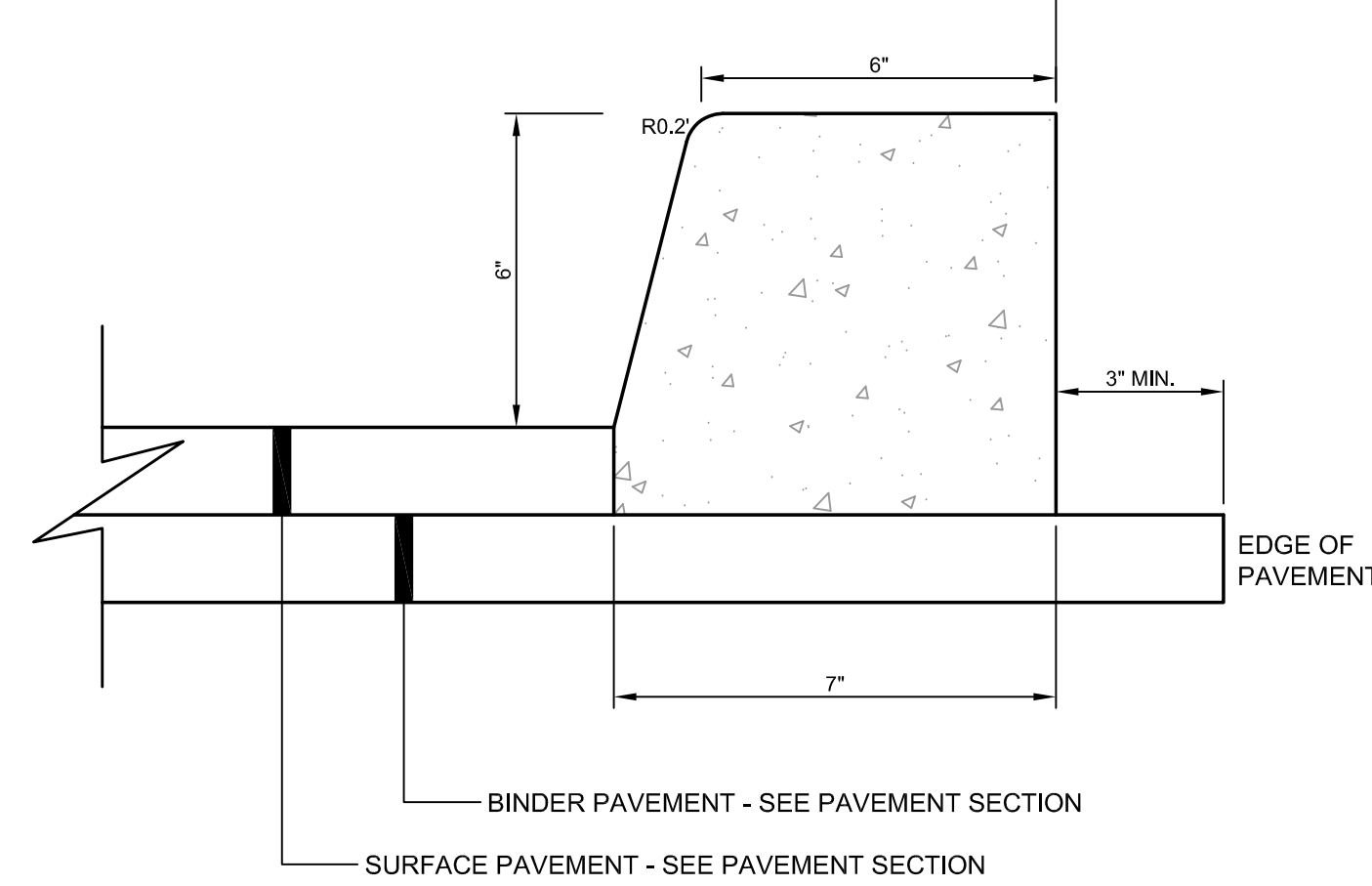


NOTES:

1. APPLY TACK COAT BETWEEN BINDER AND SURFACE COURSES.
2. ALL MATERIALS SHALL CONFORM TO MDOT SPECIFICATIONS, LATEST REVISION.
3. COMPACTION OF ALL MATERIALS TO BE IN ACCORDANCE WITH THE SPECIFICATIONS AND THE GEOTECHNICAL REPORT.

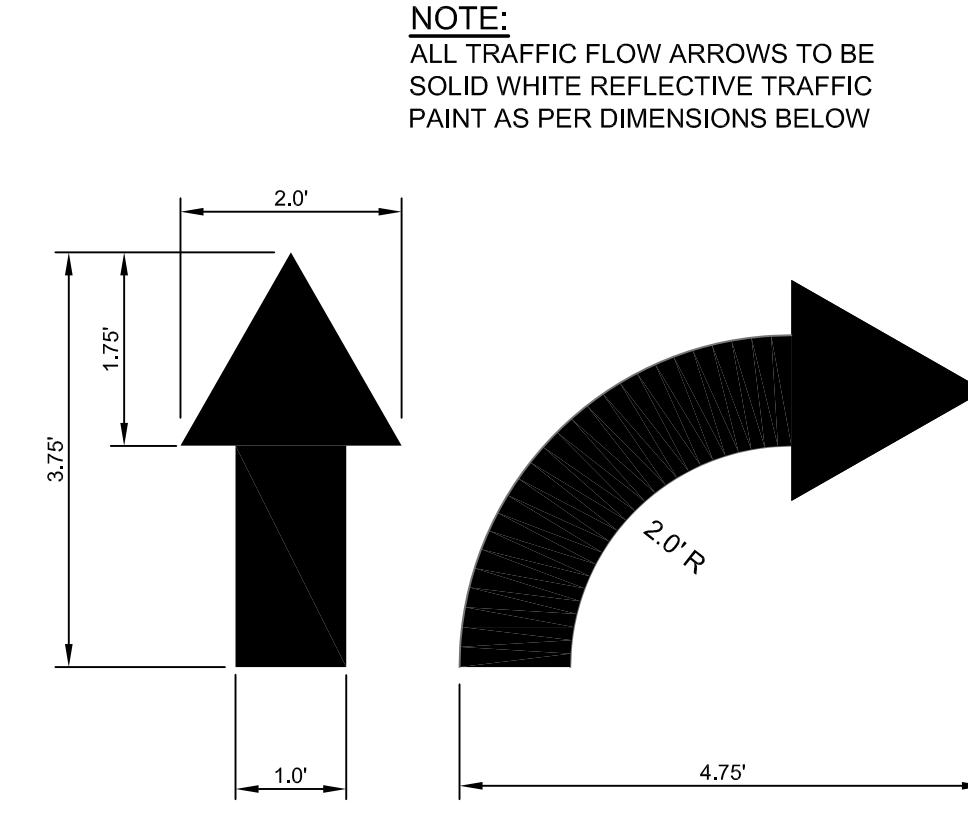
BITUMINOUS CONCRETE PAVEMENT SECTION OVER EXISTING BASE MATERIAL

(A) N.T.S.



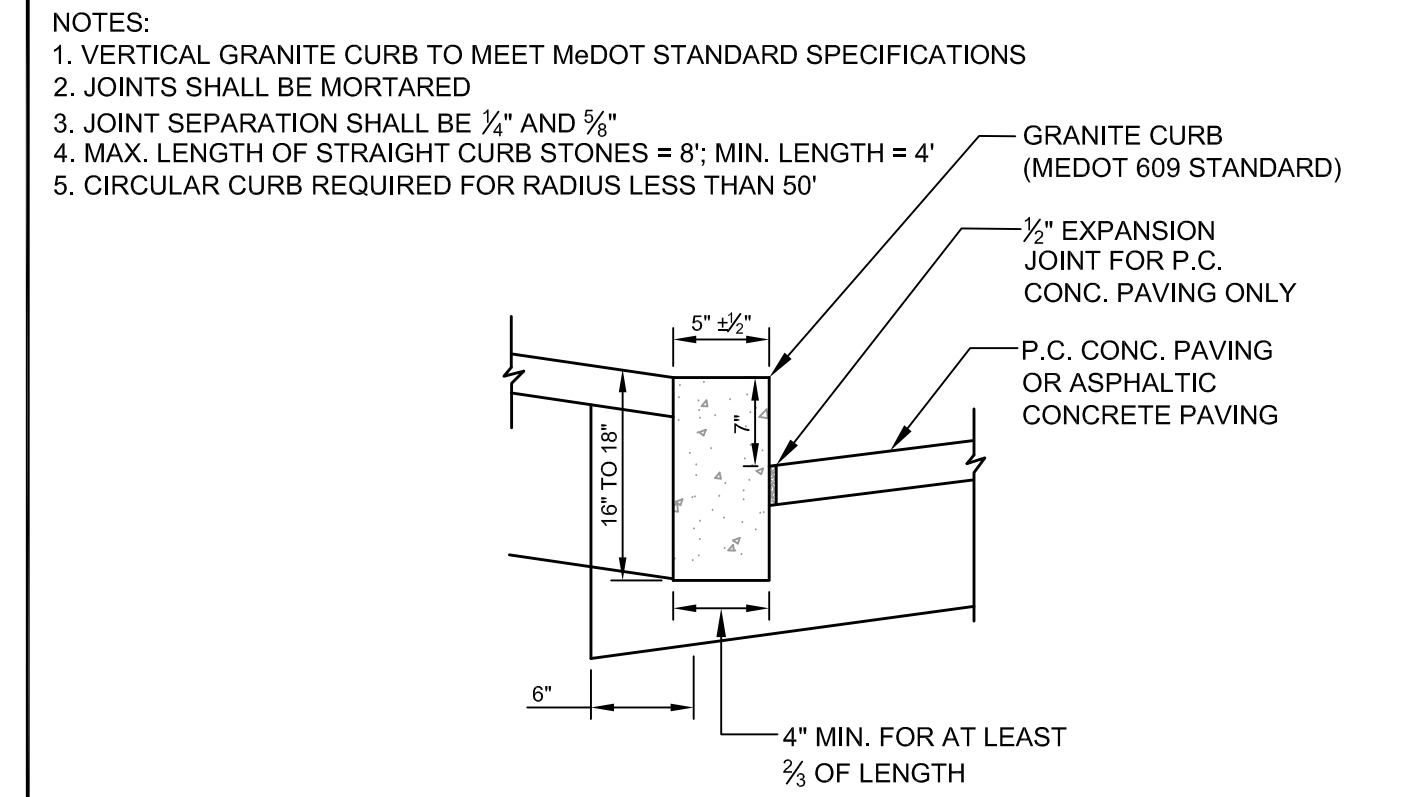
EXTRUDED SLIPFORM VERTICAL CONCRETE CURB DETAIL

(D) N.T.S.



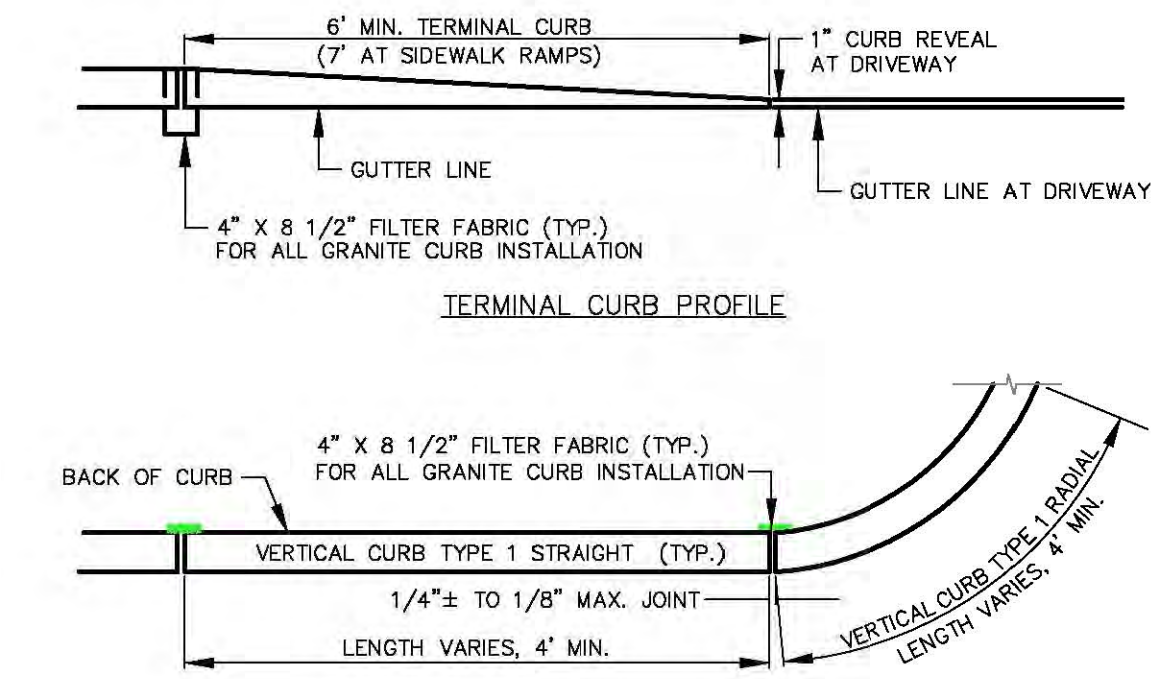
TRAFFIC FLOW ARROW DETAIL

(G) N.T.S.

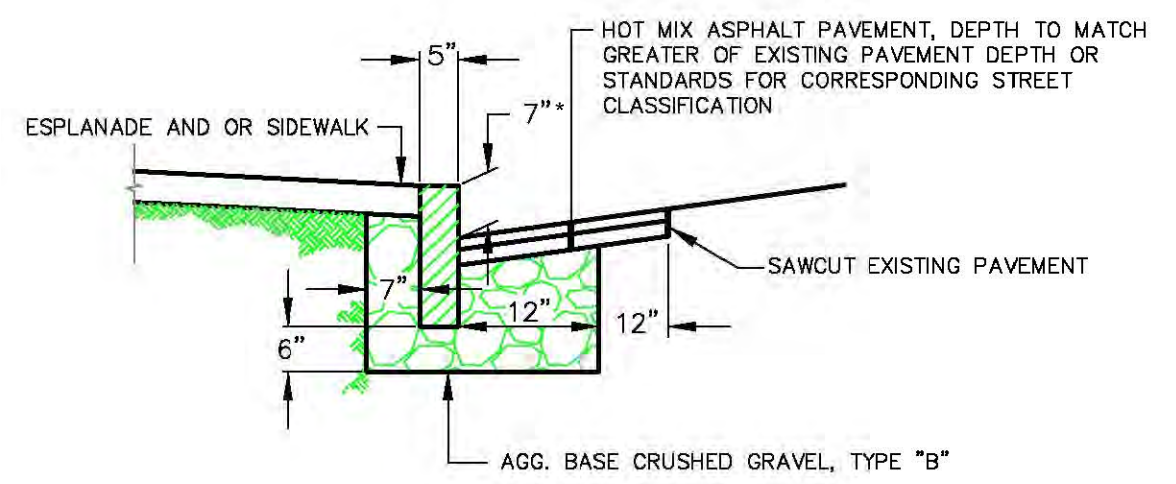


VERTICAL GRANITE CURB DETAIL

(J) N.T.S.



VERTICAL GRANITE CURB PLAN VIEW

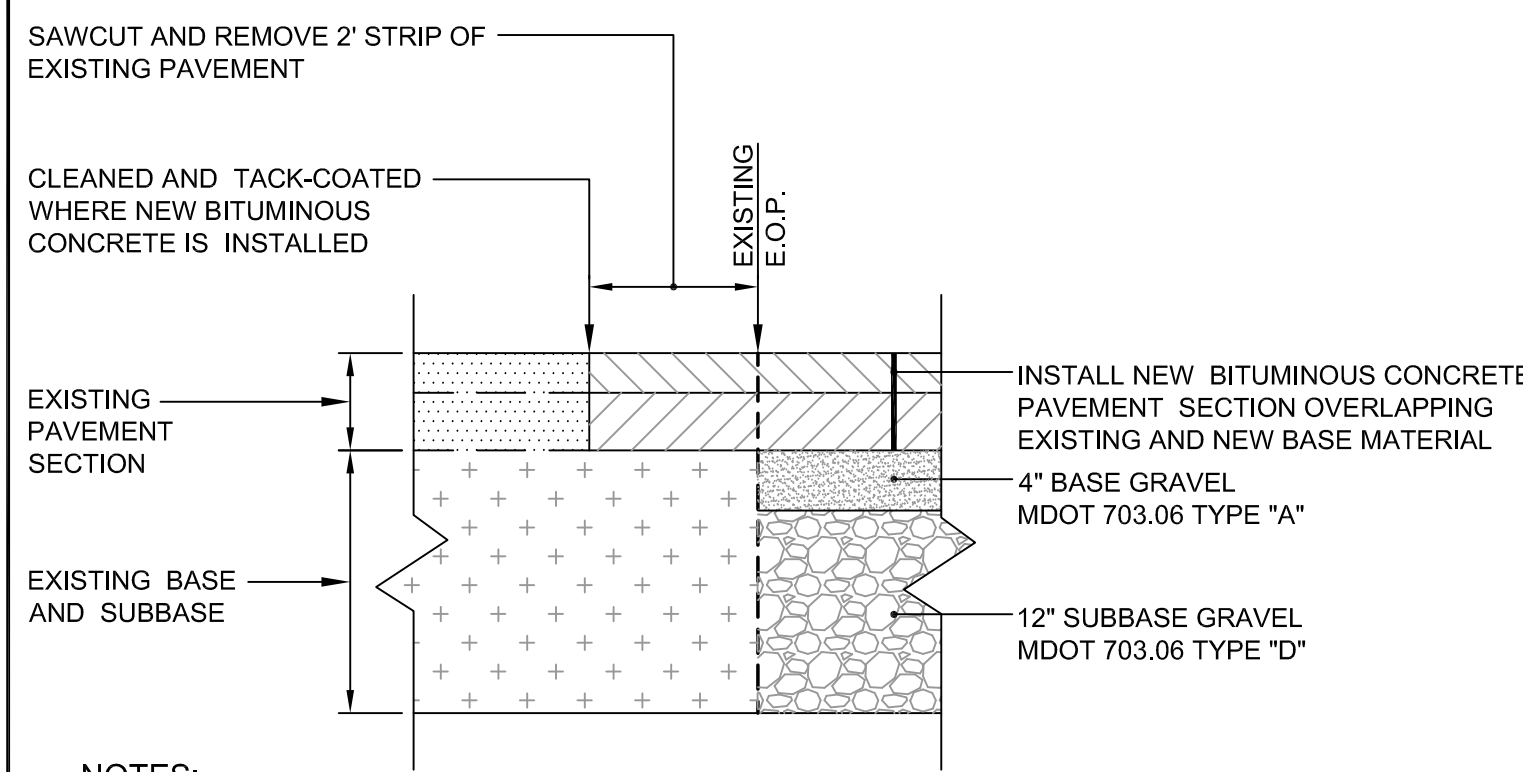


VERTICAL GRANITE CURB CROSS SECTION

NOTE: GRANITE CURB TO BE REMOVED AND RESET ALONG ORIGINAL BUILDING LIMITS MAY MATCH EXISTING LIE. THE GRANITE STONE SITS ON A PORTION OF THE CONCRETE FOUNDATION BELOW. * EXCEPT ALONG LOCATIONS ADJACENT TO TREE WELLS WHERE CURB HEIGHT CAN BE REDUCED TO 5"

VERTICAL GRANITE CURB INSTALLATION IN EXISTING STREETS

(K) N.T.S.

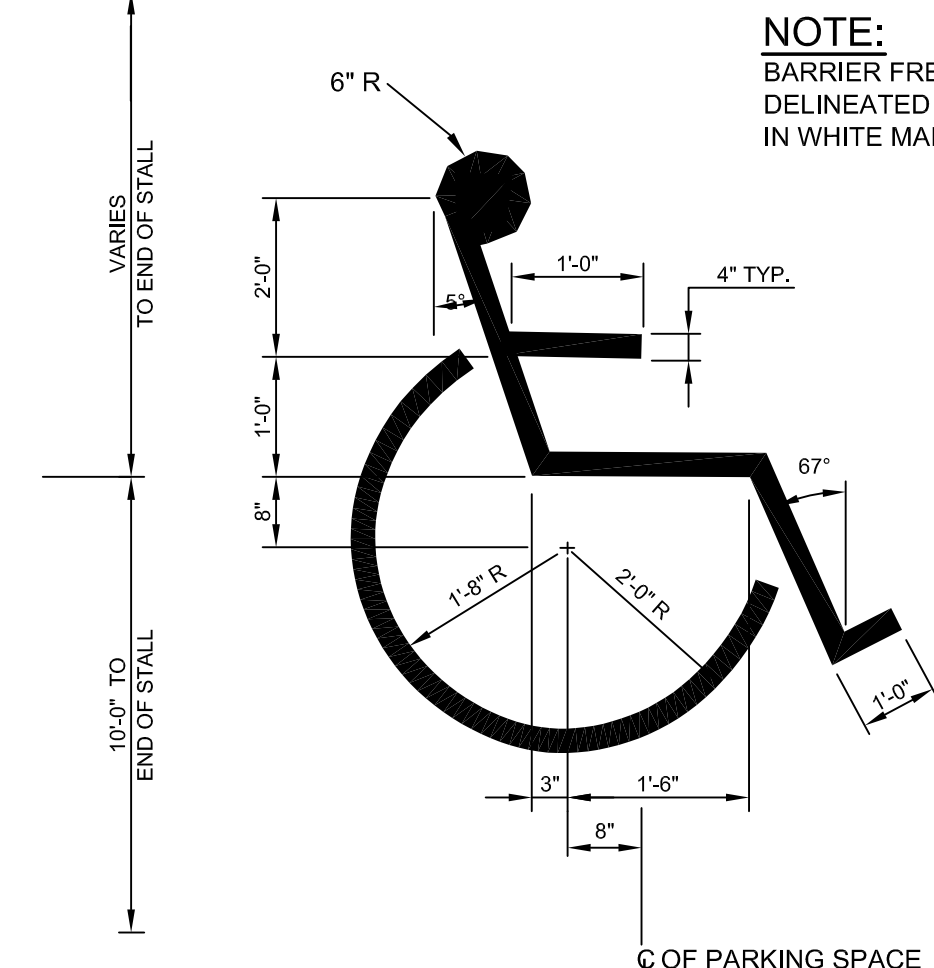


NOTES:

1. APPLY TACK COAT BETWEEN BINDER AND SURFACE COURSES.
2. ALL MATERIALS SHALL CONFORM TO MDOT SPECIFICATIONS, LATEST REVISION.
3. COMPACTION OF ALL MATERIALS TO BE IN ACCORDANCE WITH THE SPECIFICATIONS AND GEOTECHNICAL REPORTS PREPARED BY THE GEOTECHNICAL ENGINEER.

TYPICAL PAVEMENT SECTION NEW PAVEMENT ADJACENT TO EXISTING PAVEMENT

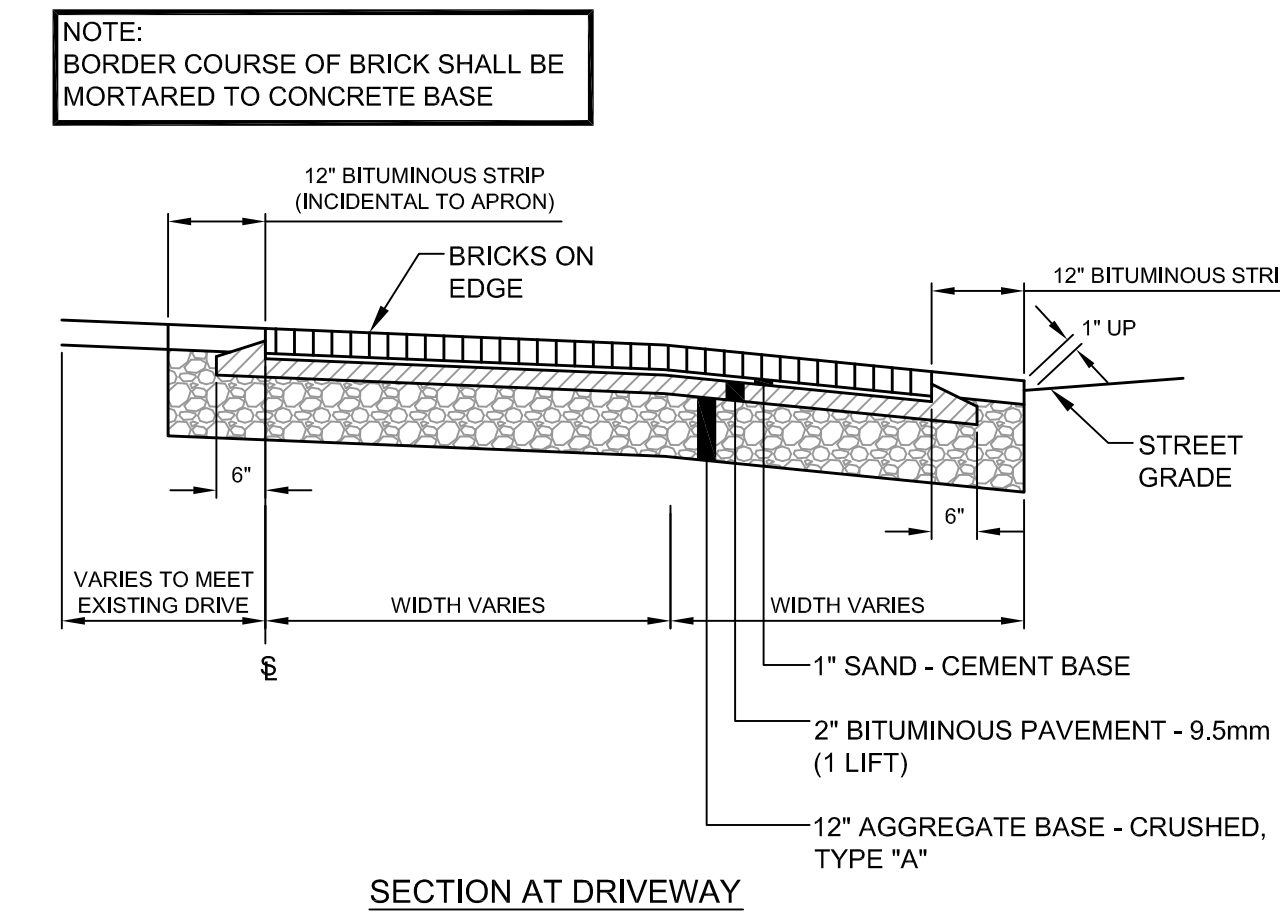
(B) N.T.S.



NOTE: BARRIER FREE STALLS SHALL BE DELINEATED WITH THIS SYMBOL IN WHITE MARKING.

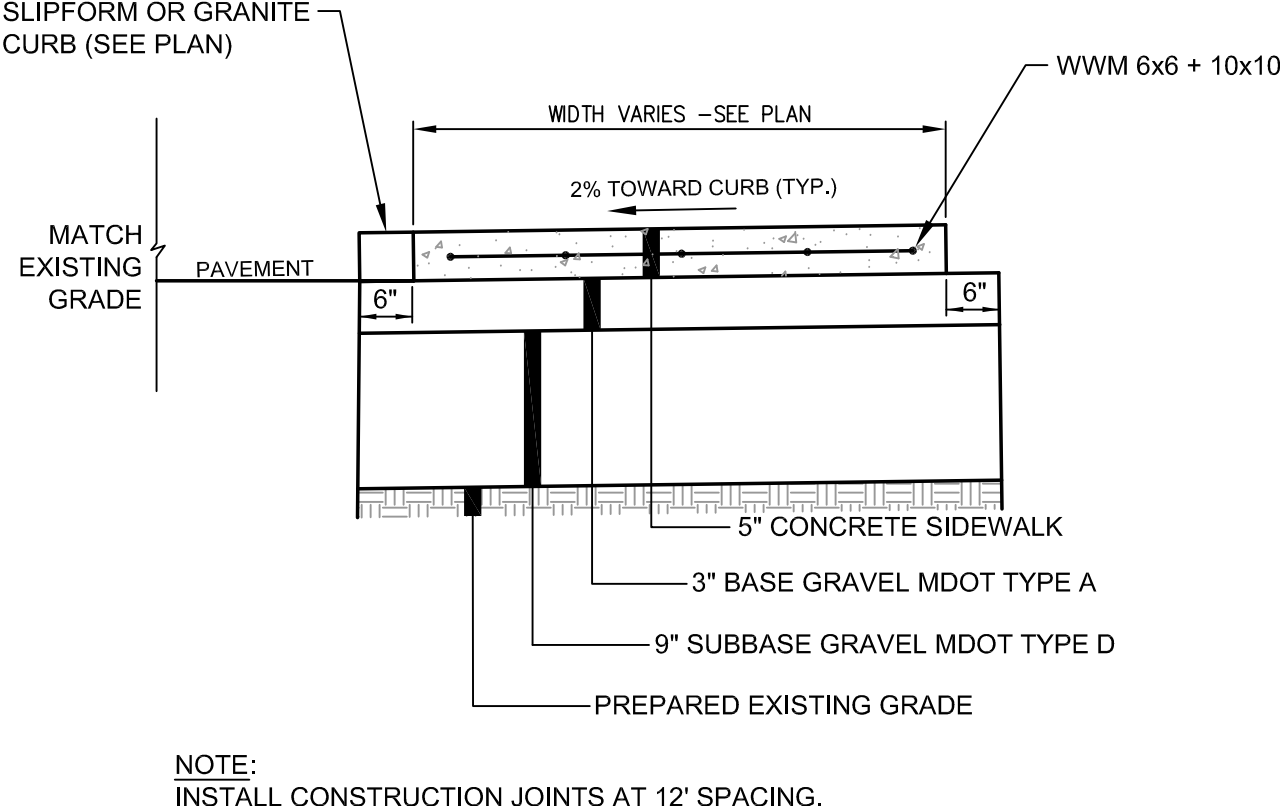
INTERNATIONAL BARRIER FREE SYMBOL

(E) N.T.S.



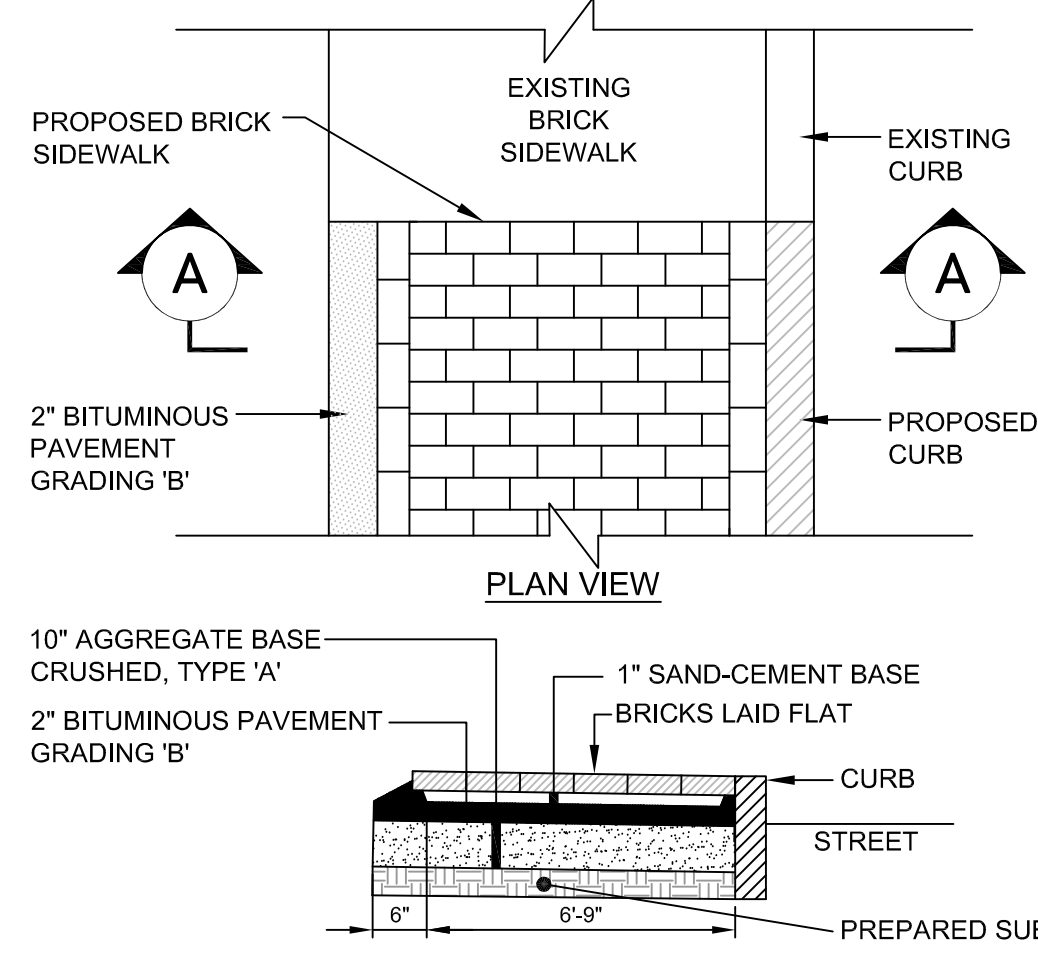
CITY OF PORTLAND BRICK WITH BITUMINOUS BASE SIDEWALK AND DRIVEWAY CONSTRUCTION DETAIL

(H) N.T.S.



CONCRETE SIDEWALK DETAIL-NO CURB

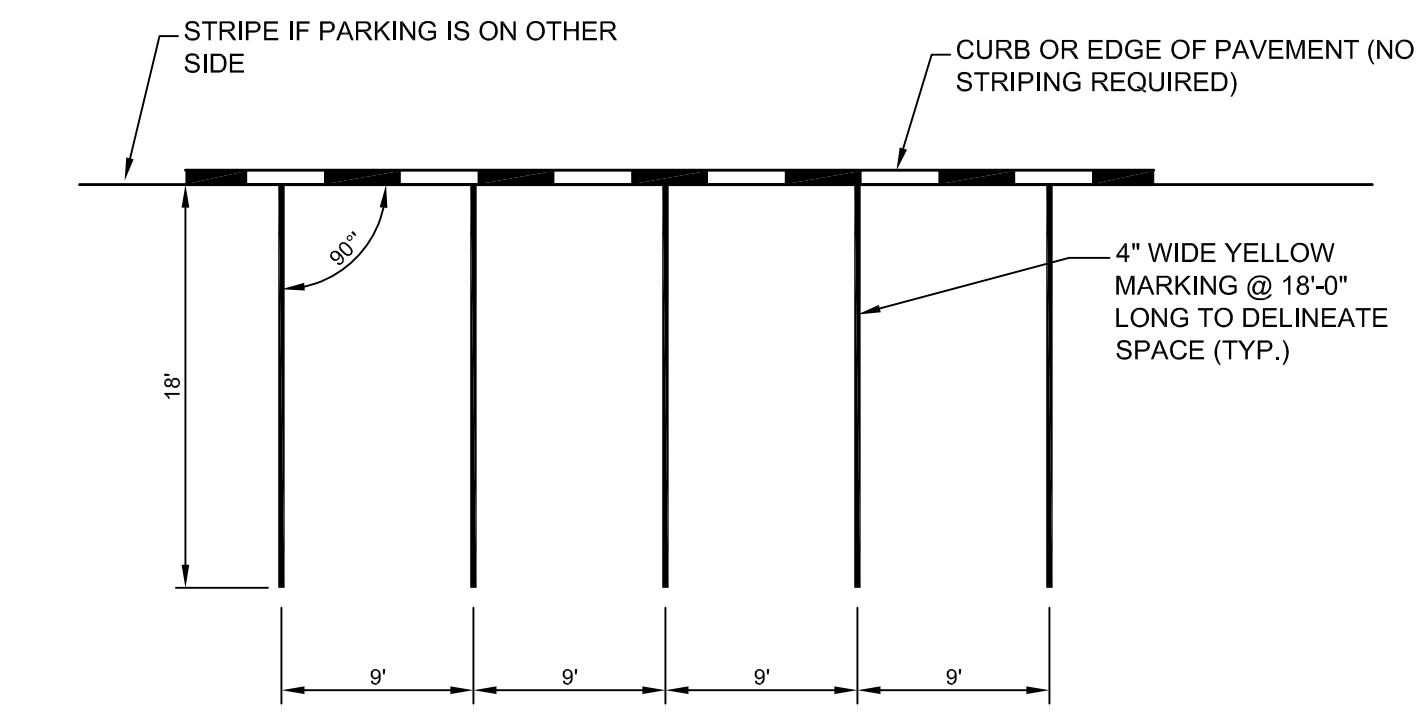
(I) N.T.S.



SECTION A-A

BRICK SIDEWALK WITH BITUMINOUS BASE

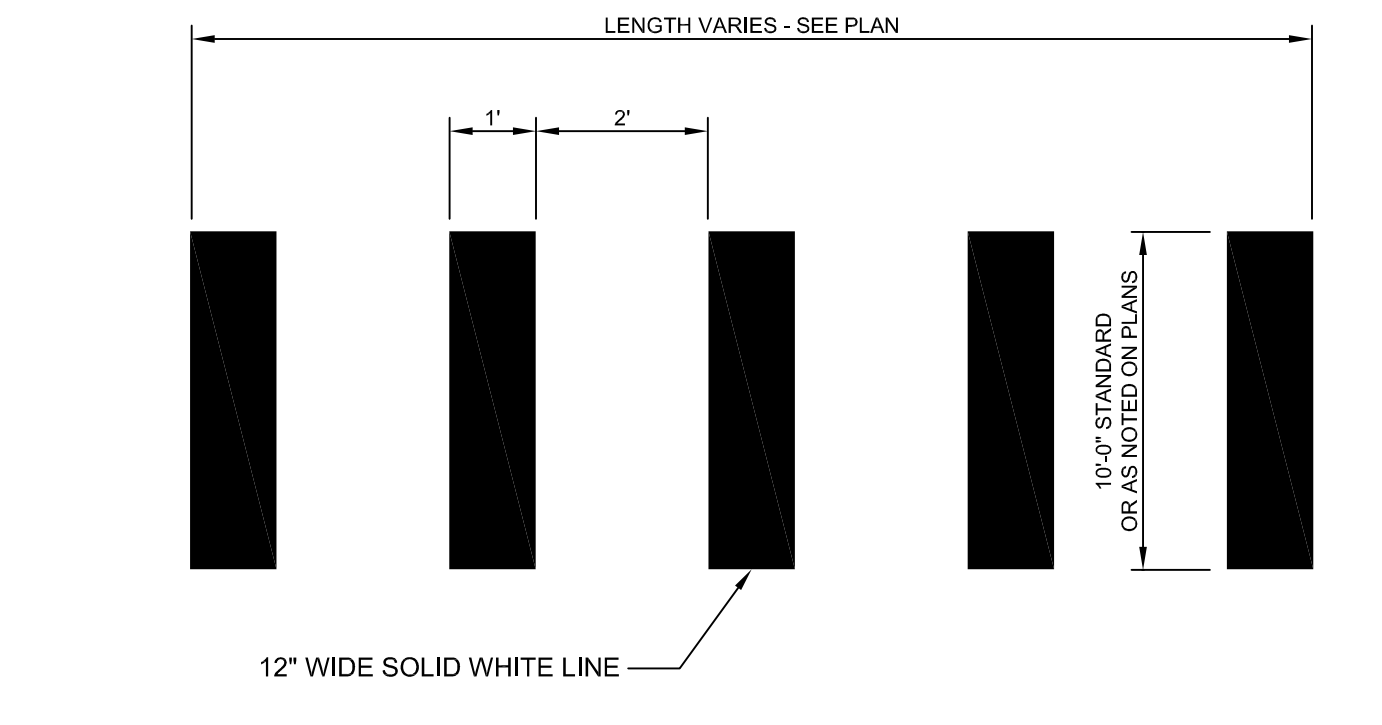
(C) N.T.S.



NOTE: WHEN PARKING IS ON A CURVE THE NARROWEST PORTION OF THE PARKING STALL SHALL MEET THE WIDTH SHOWN.

STANDARD PARKING STALL STRIPING

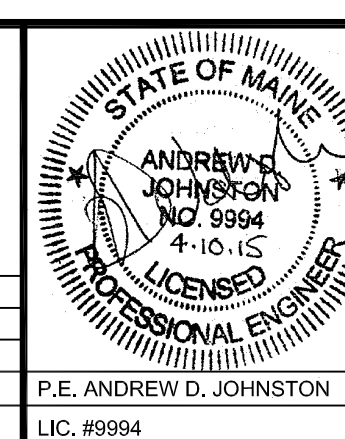
(F) N.T.S.



CROSSWALK STRIPING DETAIL

(L) N.T.S.

REV	DATE	DESCRIPTION	REVISIONS
3	04.10.15	REVISED PER CITY COMMENTS	
2	04.01.15	REVISED PER CITY COMMENTS	
1	02.13.15	ISSUED FOR CITY PERMIT	



PROJECT	CENTURY TIRE PLAZA 195 KENNEBEC STREET, PORTLAND, ME
SHEET TITLE	DETAILS
CLIENT	NORTHLAND ENTERPRISES, LLC

DESIGNED	ADJ	DATE	11.25.14
CHECKED	ADJ	SCALE	NTS
FILE NAME	SP-M160 DETAILS	JOB NO.	SP-M160
SHEET	C-7.0		