

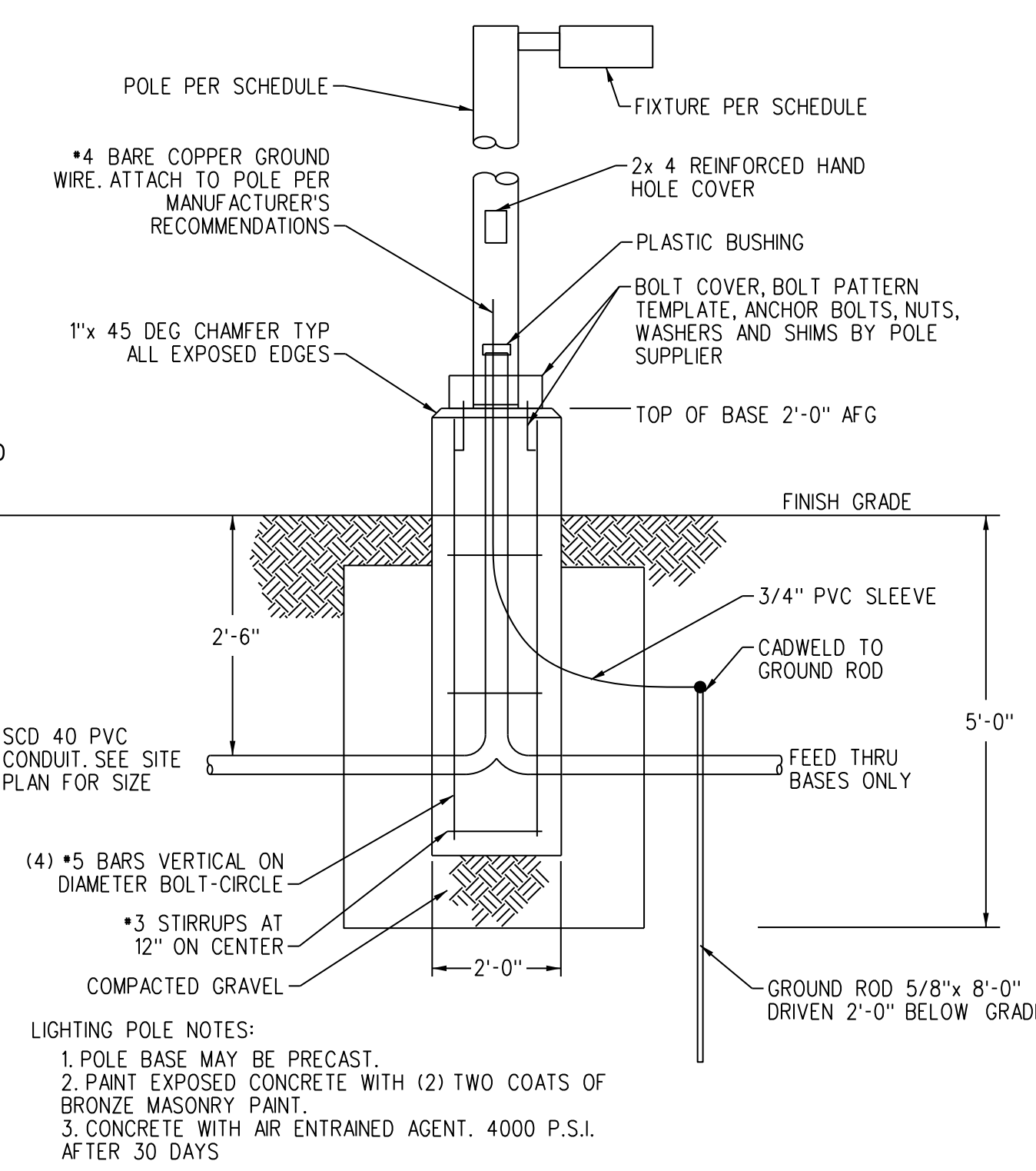
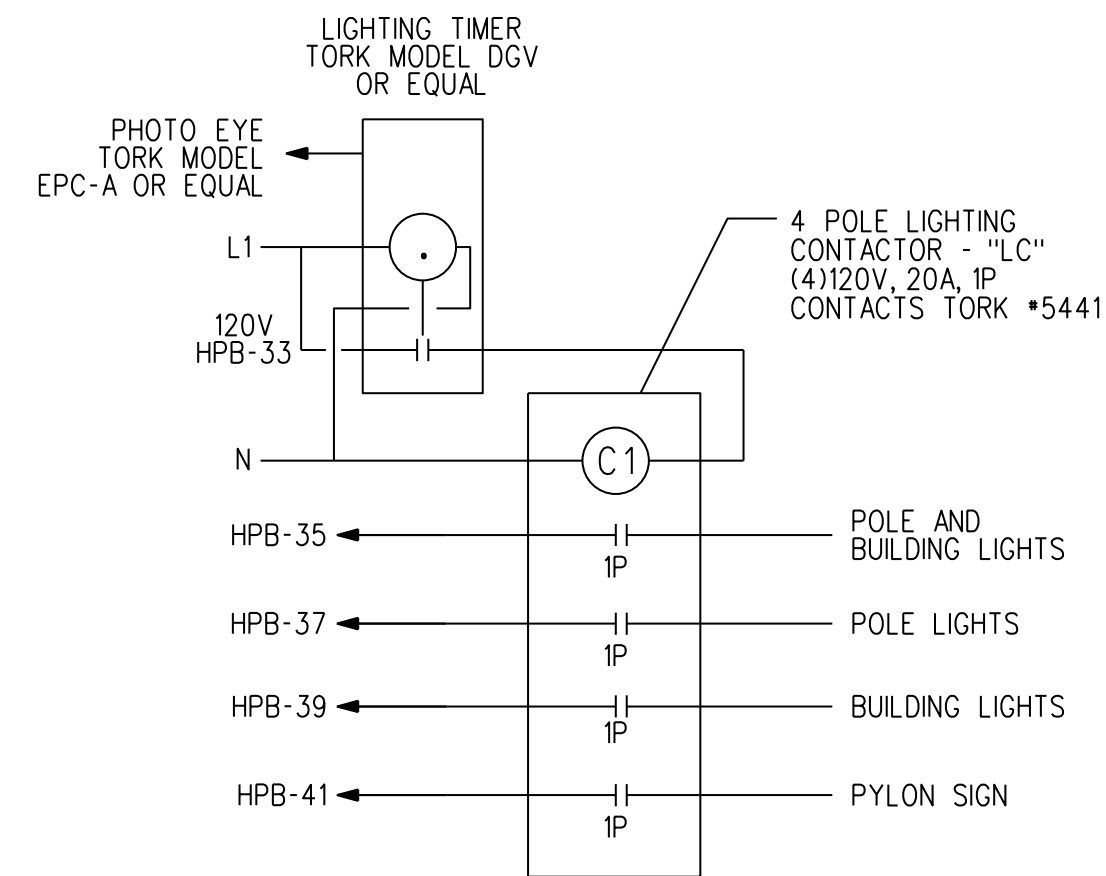
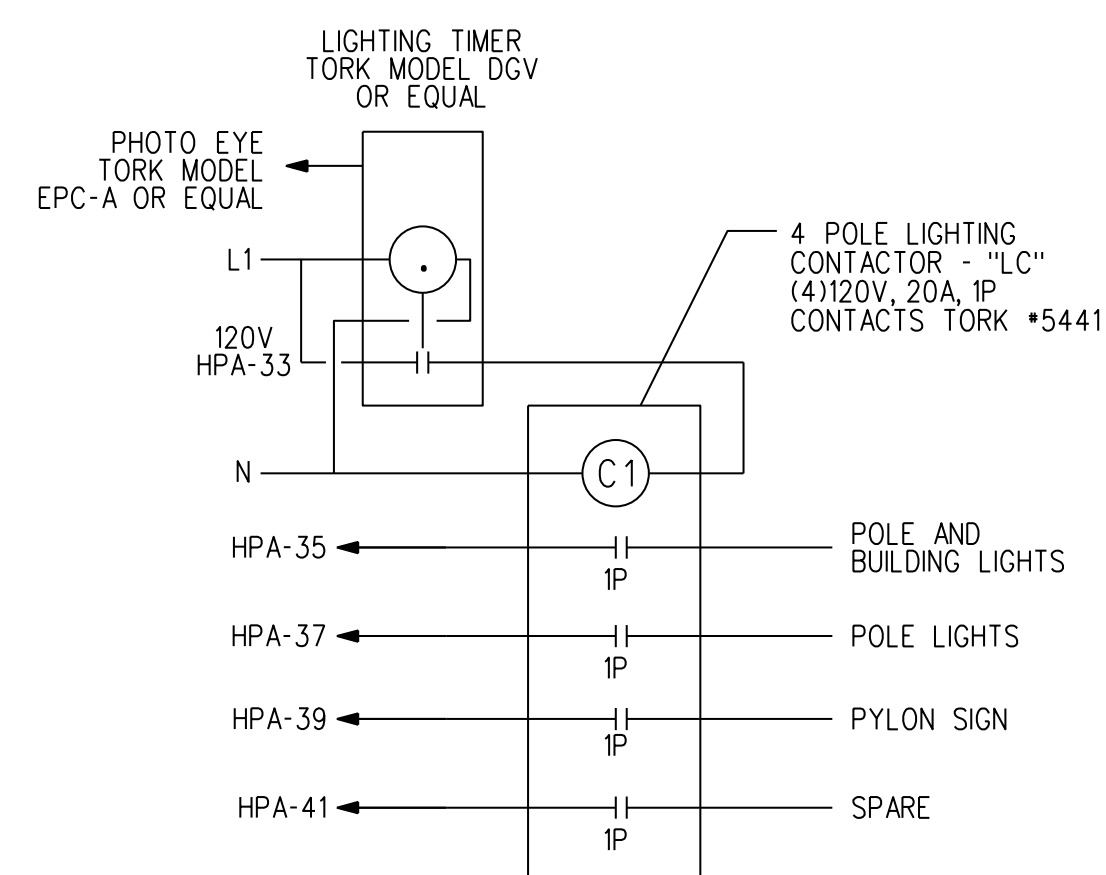
**WORK NOTES**

1. STREET LIGHT POLES, BASES AND CONDUITS BY PROJECT. CONNECTIONS, WIRING AND ANCILLARY WORKS BY CONTRACTOR. EXTEND EXISTING LIGHTING CIRCUIT TO NEW LOCATIONS. COORDINATE LOCATIONS WITH CITY PRIOR TO ROUGH-IN.

2. STREET LIGHT POLES, BASES AND CONDUITS BY PROJECT. CONNECTIONS, WIRING AND ANCILLARY WORKS BY CONTRACTOR. PROVIDE NEW POWER PEDISTAL AND METER. COORDINATE LIGHT AND PEDISTAL LOCATIONS WITH CITY PRIOR TO ROUGH-IN.

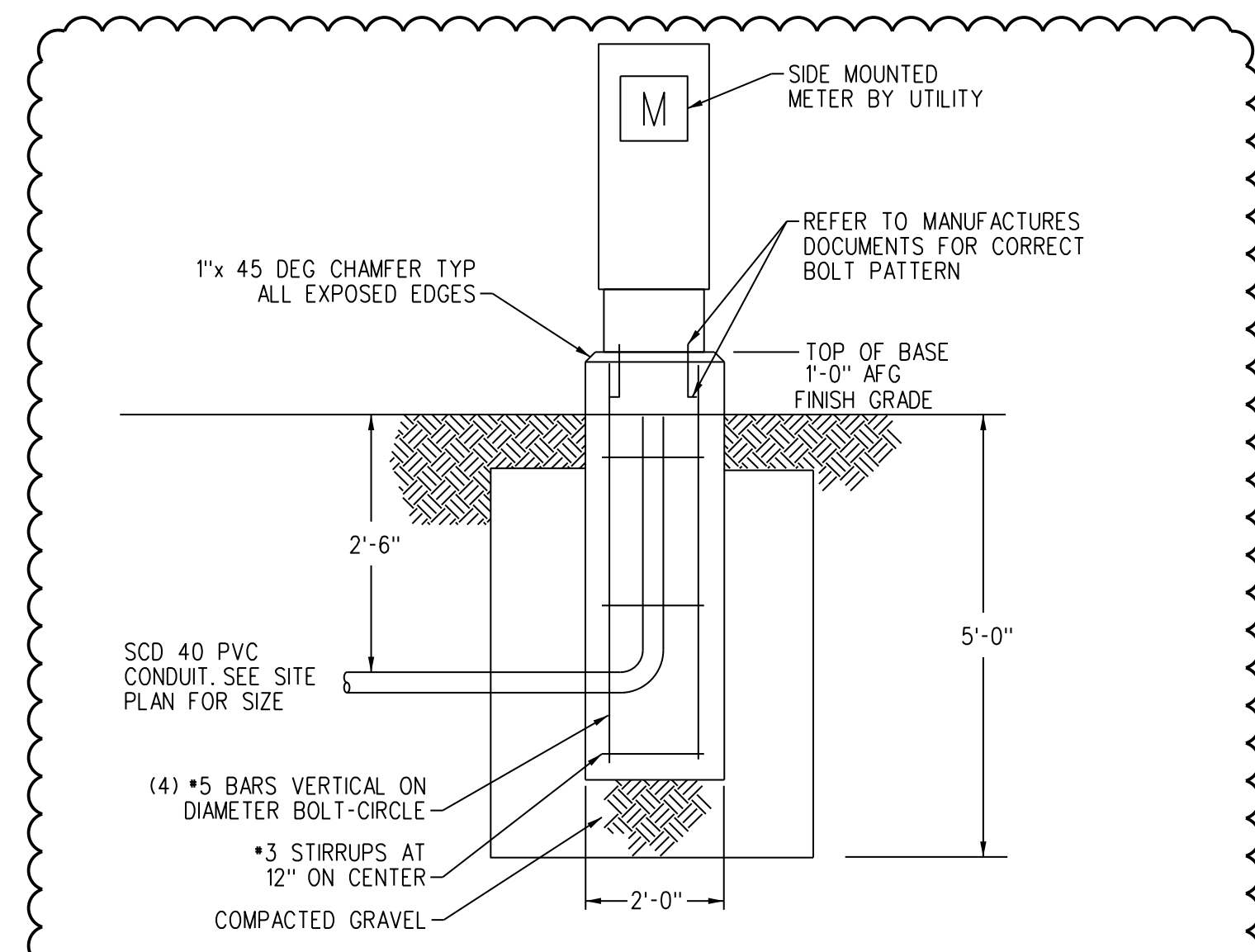
- LIGHTING FIXTURES**
- S1 KIM LIGHTING  
EKG3P70-80L4K-NFO  
185W, LED, 42000K
  - S2 HUBBELL LIGHTING  
LCC-12LU-5K-1  
12.8W, LED, 5000K  
COORDINATE ALL LOCATIONS WITH ARCHITECT PRIOR TO ROUGH-IN

**SITE PLAN**  
SCALE: 1"=20'



**GENERAL NOTES - SITE ELECTRICAL**

- THE COMPLETE INSTALLATION SHALL CONFORM WITH ALL APPLICABLE FEDERAL, STATE AND LOCAL LAWS, CODES AND ORDINANCES, INCLUDED BUT NOT LIMITED TO APPROVED EDITIONS OF THE FOLLOWING: NATIONAL ELECTRICAL SAFETY CODE (ANSI C2); NATIONAL ELECTRICAL CODE (NFPA 70); OCCUPATIONAL SAFETY AND HEALTH ACT (OSHA) AND ALL AMENDMENTS THERETO. NOTHING CONTAINED IN THE DRAWINGS AND SPECIFICATIONS SHALL BE CONSTRUED TO CONFLICT WITH THESE LAWS, CODES, AND ORDINANCES, AND THEY ARE THEREBY INCLUDED IN THESE SPECIFICATIONS. OBTAIN PERMITS AND REQUEST INSPECTIONS FROM ALL AUTHORITIES HAVING JURISDICTION. COMPLY WITH ALL POWER, TELEPHONE, CABLE TELEVISION PROVIDER REGULATIONS AND STANDARDS.
- THE FOLLOWING ELECTRICAL WORK SHALL BE PERFORMED UNDER THIS CONTRACT: UNDERGROUND CONDUIT, FITTINGS, AND ALL DEVICES; PROVISION OF HAND HOLES, NEW LIGHTING FIXTURES, POLES WITH ALL ACCESSORIES INCLUDING ANCHOR BOLTS AND POLE BASES; PROVISION OF UNDERGROUND CONDUIT AND WIRE TO SERVE NEW LIGHTING EQUIPMENT AND RECEPTACLES; PROVISION OF SERVICE EQUIPMENT, INCLUDING OUTDOOR CABINETS, INGROUND SPLICE BOXES, GROUNDING, METER ENCLOSURES, AND WEATHERPROOF RECEPTACLES.
- ELECTRICAL UTILITY SHALL PROVIDE ALL ASSOCIATED OVERHEAD AND UNDERGROUND PRIMARY WIRING, PRIMARY TERMINATIONS, TRANSFORMERS, AND CONNECTIONS TO EXISTING OVERHEAD LINES. CONTRACTOR SHALL PROVIDE UNDERGROUND CONDUIT AND SECONDARY WORK.
- PROVIDE UNDERGROUND ELECTRICAL WARNING TAPE: 6" WIDE PLASTIC TAPE, COLORED RED WITH SUITABLE LEGEND DESCRIBING BURIED ELECTRICAL LINES FOR ALL UNDERGROUND CONDUITS. LOCATE 6 INCHES BELOW FINISHED GRADE.
- REFER TO CIVIL DRAWINGS FOR EXCAVATION AND BACKFILL OF ALL UNDERGROUND WORK.
- EXISTING UTILITY LOCATIONS ARE APPROXIMATE AND SHALL BE FIELD VERIFIED. CONTRACTORS SHALL CONTACT DIG SAFE BEFORE BEGINNING ANY EXCAVATIONS.
- FINAL LOCATION OF NEW UTILITIES MAY VARY FROM PLANS PENDING UTILITY COMPANY FIELD COORDINATION.
- THE LOCAL TELEPHONE AND CABLE TELEVISION SERVICE PROVIDERS SHALL PROVIDE AND INSTALL ALL THE SITE UTILITY SERVICE CABLE TO NEW BACKBOARD IN THE CONDUITS PROVIDED BY THE CONTRACTOR AS PART OF THE SITE WORK.
- UNDERGROUND CONDUIT SHALL BE SCHED 40 PVC. ABOVE GRADE CONDUIT SHALL BE RGS. ALL CONDUIT SWEEPS SHALL BE RGS LONG SWEEPS.
- PROVIDE EXPANSION FITTINGS FOR ALL UNDERGROUND CONDUIT CONNECTED TO FIXED ABOVE GROUND STRUCTURES.
- PROVIDE A LISTED INTERSYSTEM BONDING TERMINAL AT THE SERVICE ENTRANCE. INSTALL IN ACCORDANCE WITH NFPA 70, 250.94
- REFER TO ONE-LINE DIAGRAM FOR ADDITIONAL INFORMATION.



**CABINET SPECS**

THE CITY OF PORTLAND STANDARD CABINET SPECS ARE THE FOLLOWING:

CABINET APX ENCLOSURES, INC

- CABINET No 1-850-000062
- PEDESTAL BASE No 1-060-00190

CABINET BASE CAN BE STANDALONE TYPE OTHER THAN ABOVE PROVIDED IT'S NOT IN A SIDE WALK OR ON THE EDGE OF A PLOWED PATH WAY, STREET OR PARKING LOT. CIRCUITS MAY ALSO BE WIRED INTO EXISTING TRAFFIC SIGNAL BOXES OR OTHER LIGHTING CIRCUIT BOXES. THIS WOULD HAVE TO BE DETERMINED ON A CASE BY CASE BASIS.

2" INCH CONDUIT UNDERGROUND IN LIGHT POLE BASES CABINET BASE.

EACH LIGHT FUSED INDIVIDUALLY AT BASE FUSE HOLDER TYPE IS A (BUCHANAN 65 KIT CAT No 65U)

PROVIDE OUTLET AT ONE POLE ON MARGINAL WAY AND AT ONE POLE ON KENNEBEC STREET JUST BELOW THE FIXTURE. COORDINATE WITH CITY FOR POLE LOCATION.

SIGNAL PHOTO CELL CONTROL FOR ALL LIGHTS IN CABINET, RATED FOR THE CIRCUIT THAT MAY REQUIRE AN ALL PURPOSE CONTACTOR

MOUNTED ON THE BACK SIDE OF SIDEWALK WITH DOOR FACING THE STREET METER FACING BUILDING DESIRED.

IF BOX HAS TO BE ON THE SIDEWALK DOOR SHOULD FACE BUILDING AND METER SHOULD BE MOUNTED OPPOSITE SIDE OF TRAVEL DIRECTION.

INSTALL 100A, 1-PHASE, 120/208V PANEL WITH (6) 20A 1-POLE BREAKERS..

Prepared For:

**BENNETT ENGINEERING**  
MECHANICAL - ELECTRICAL  
(207) 865-9475

Consulting Engineer:

**ARCHETYPE architects**  
48 Union Wharf Portland, Maine 04101  
(207) 772-6022 Fax (207) 772-4056

Architect:

Project:

**CENTURY TIRE**  
PORTLAND, MAINE

Revisions:

ISSUED FOR CONSTRUCTION
-------------------------

Date:

May 8, 2015

Scale:

As Noted

**SITE ELECTRICAL PLAN**

**E1.00**