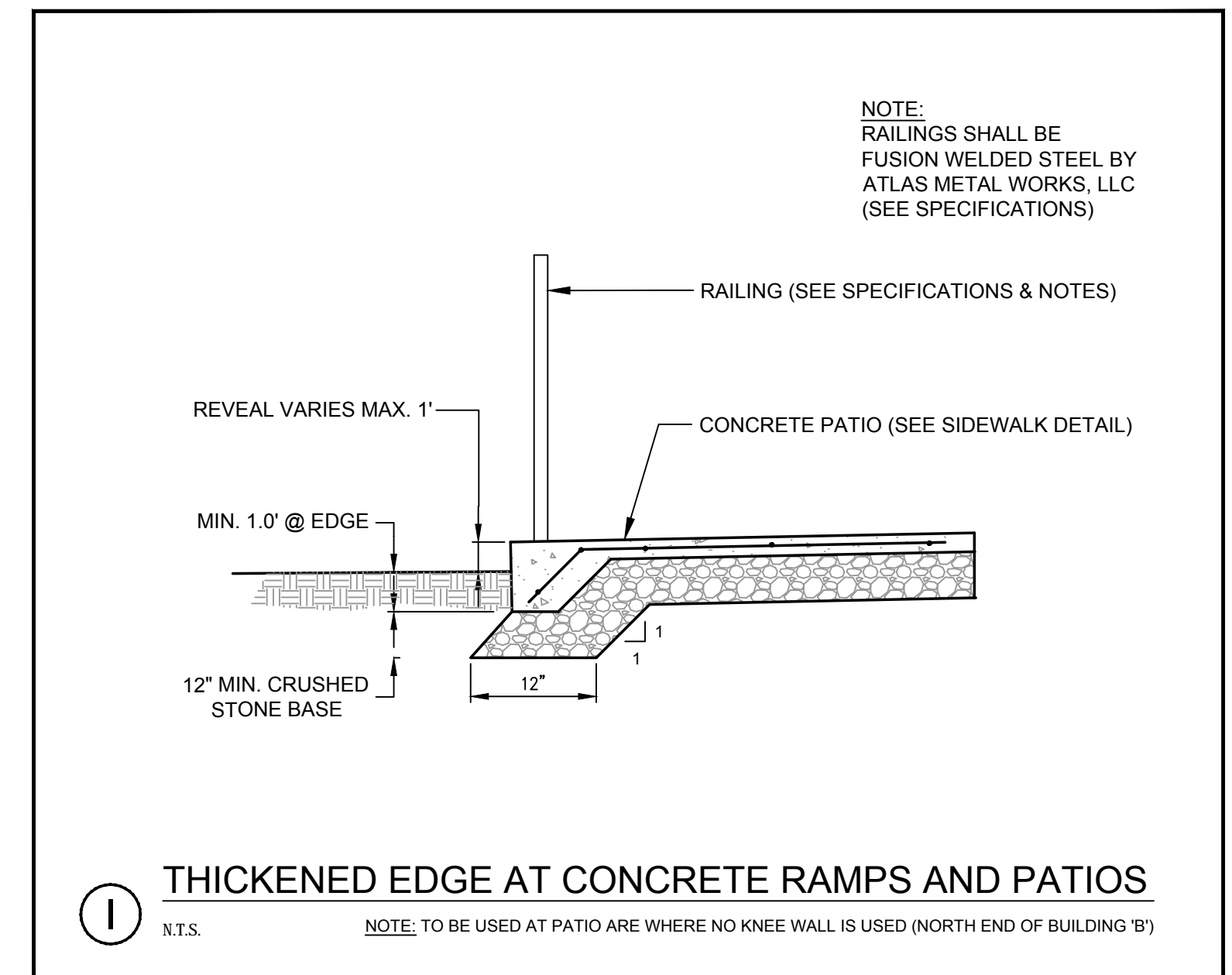
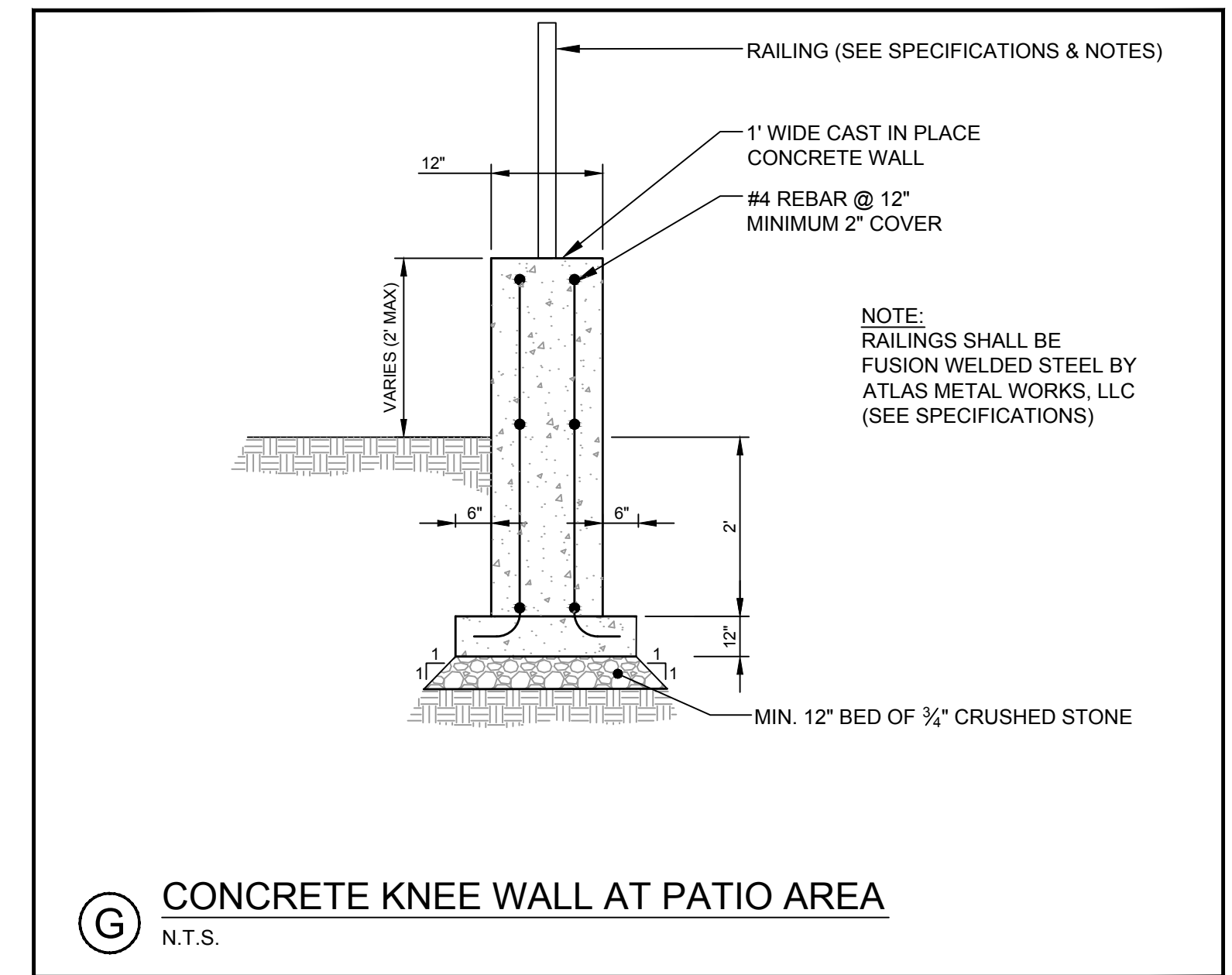
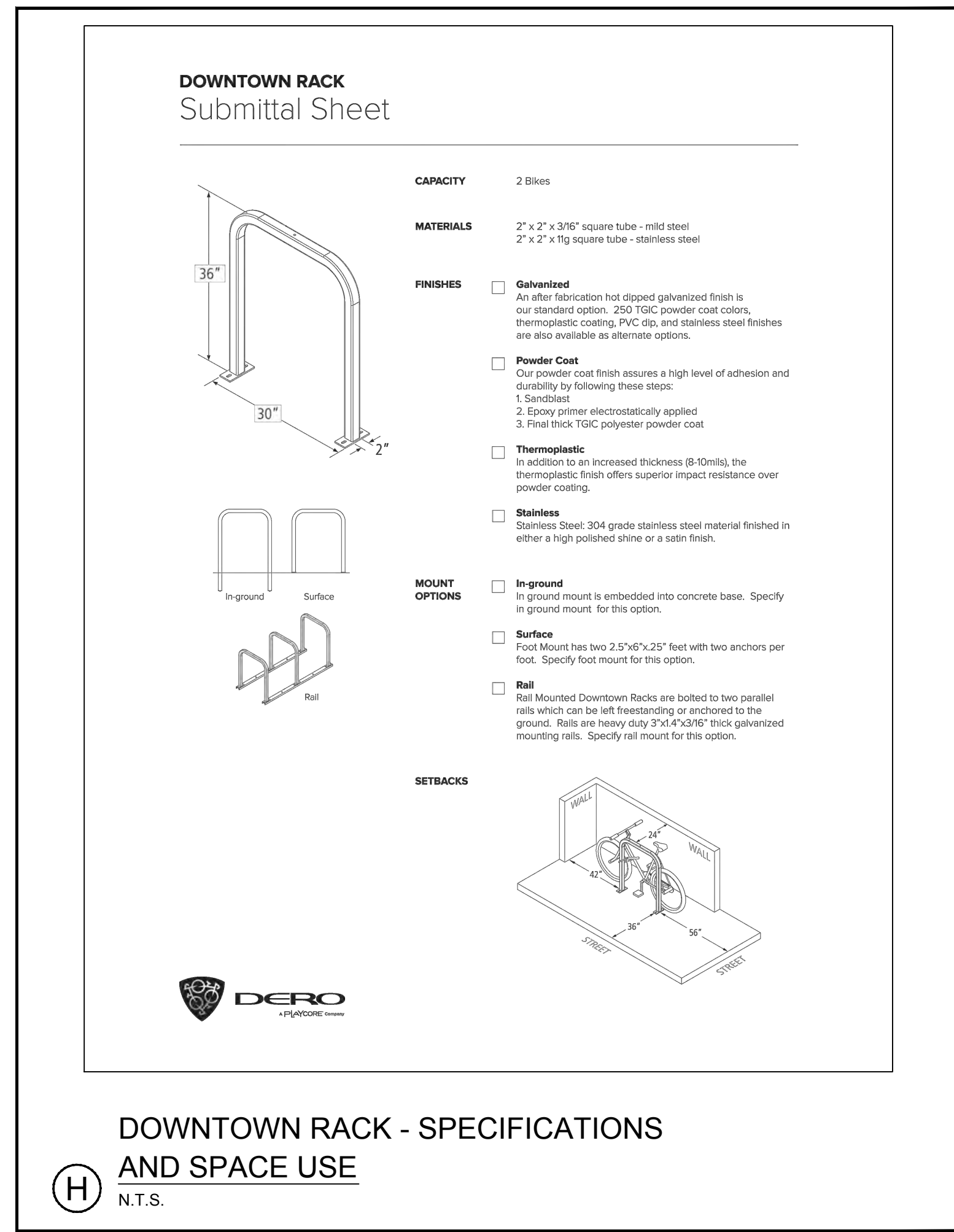
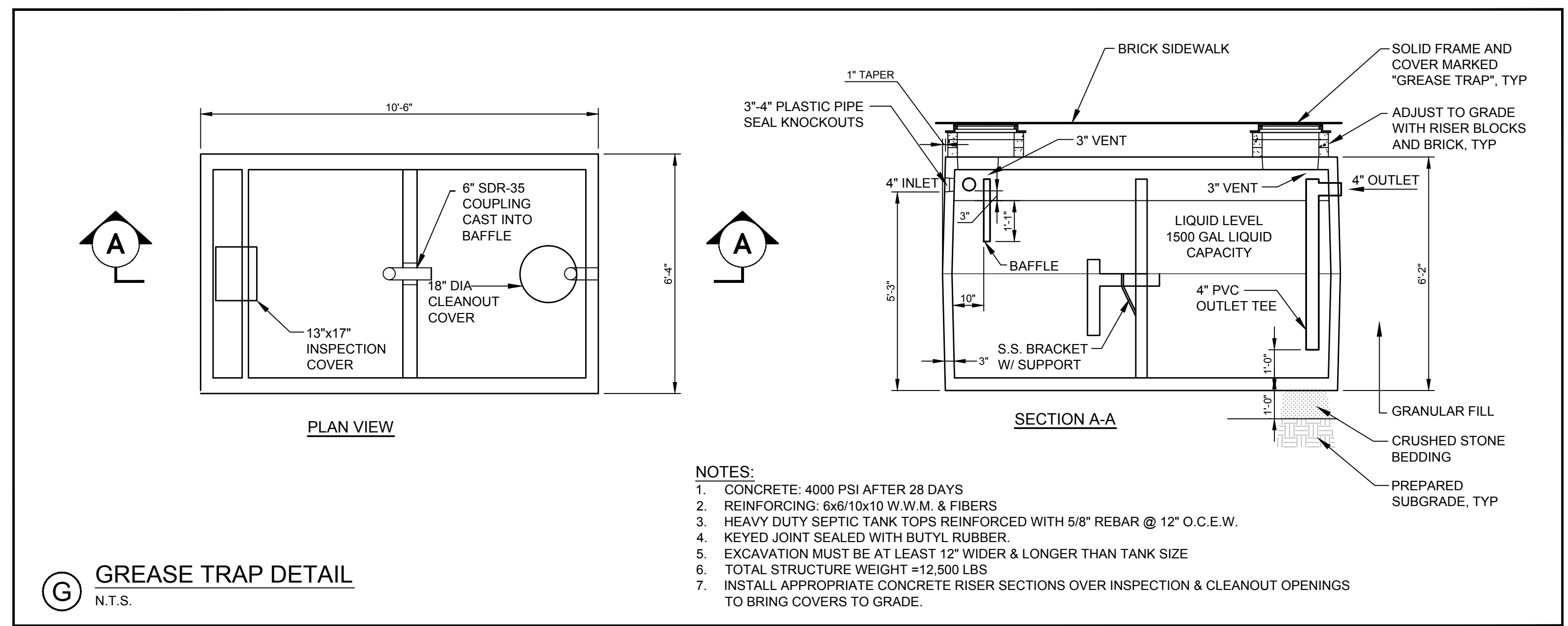
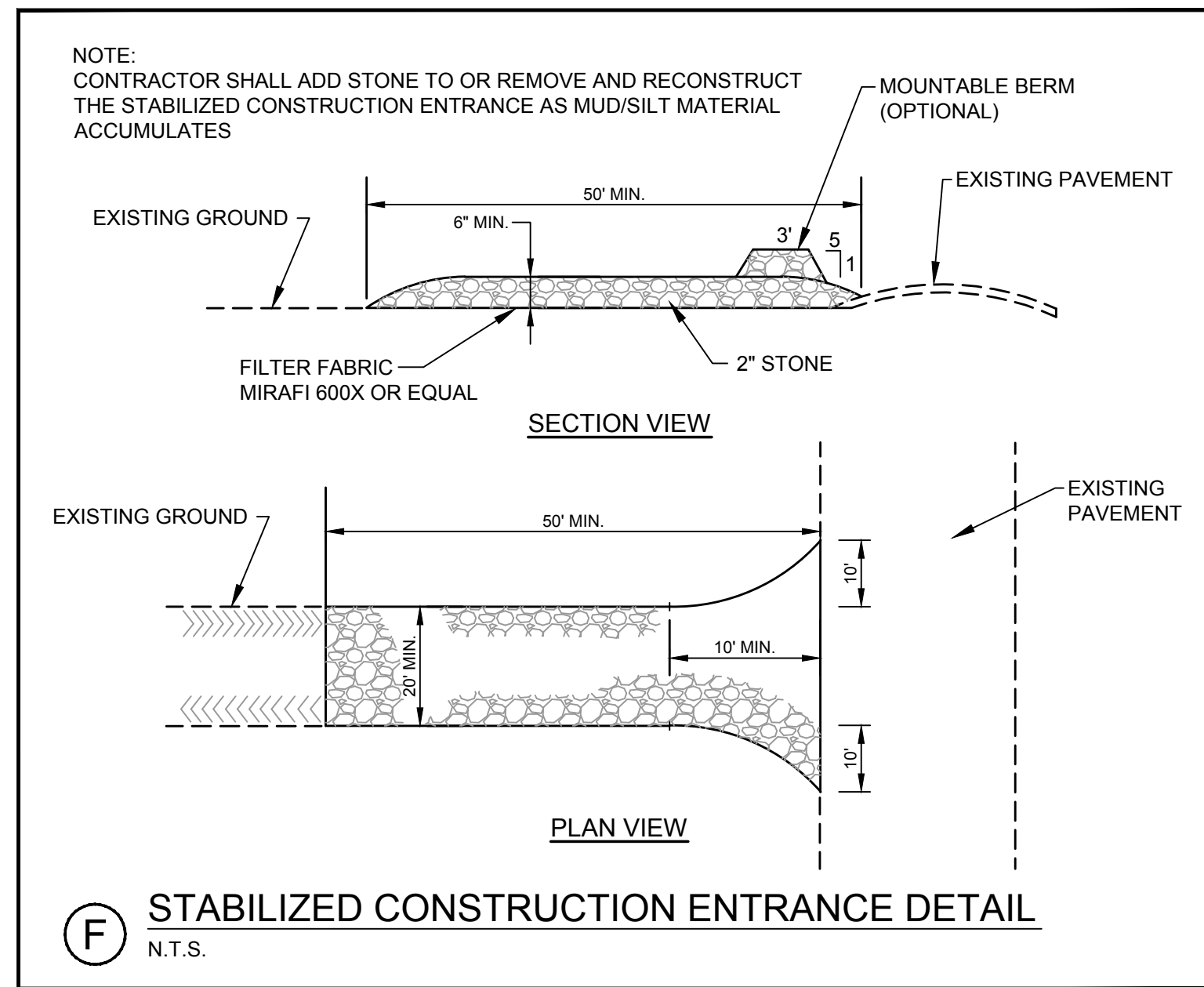
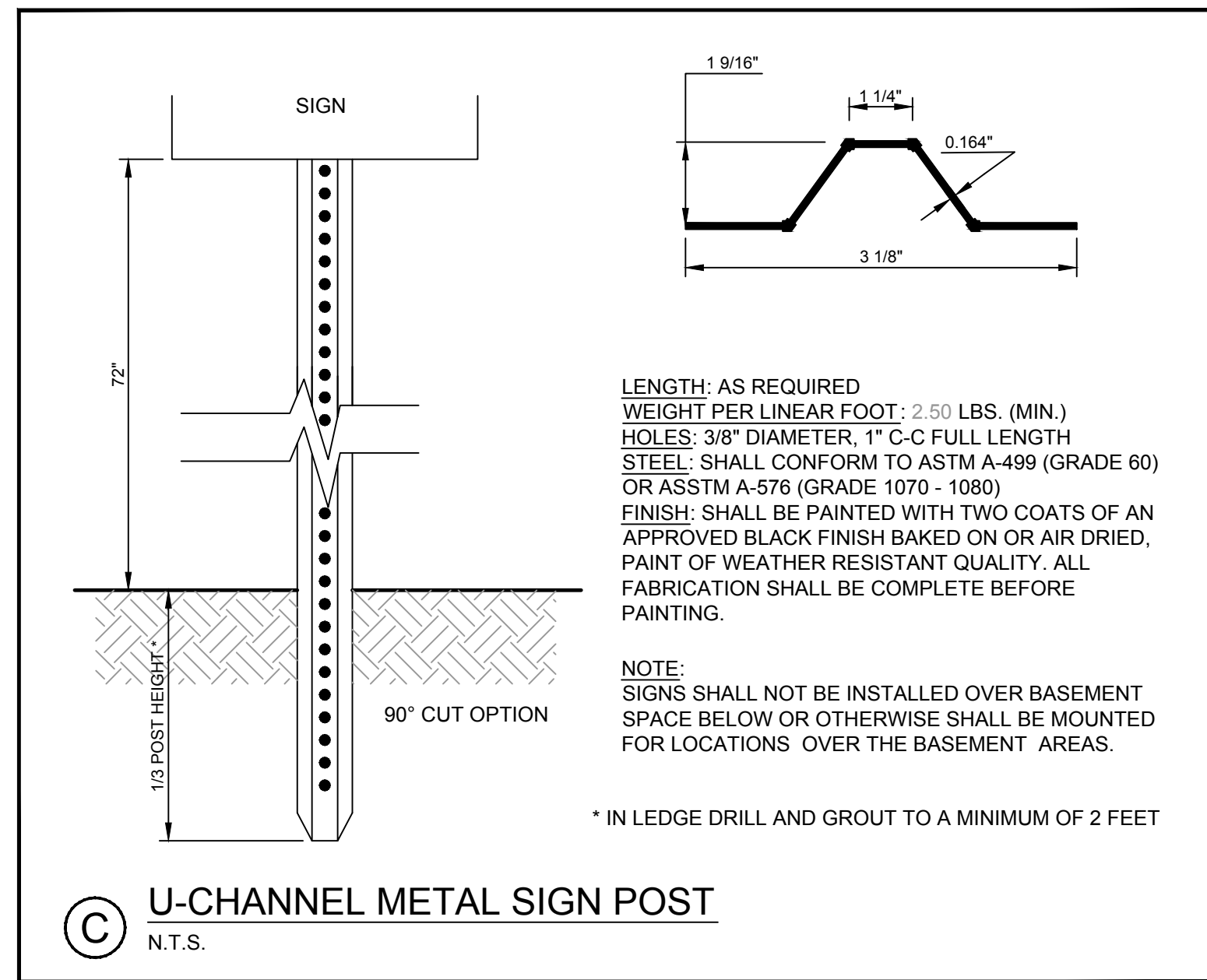
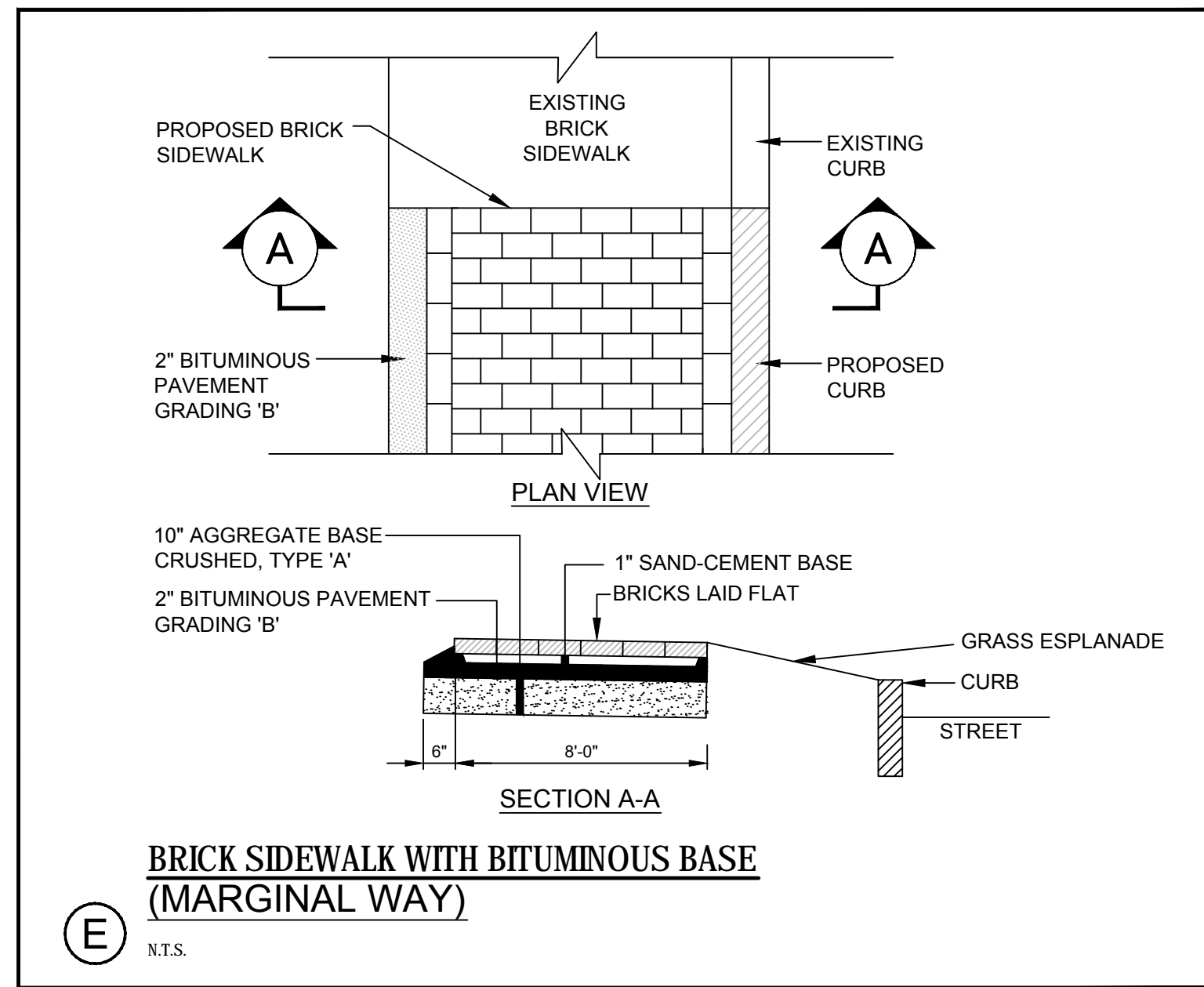
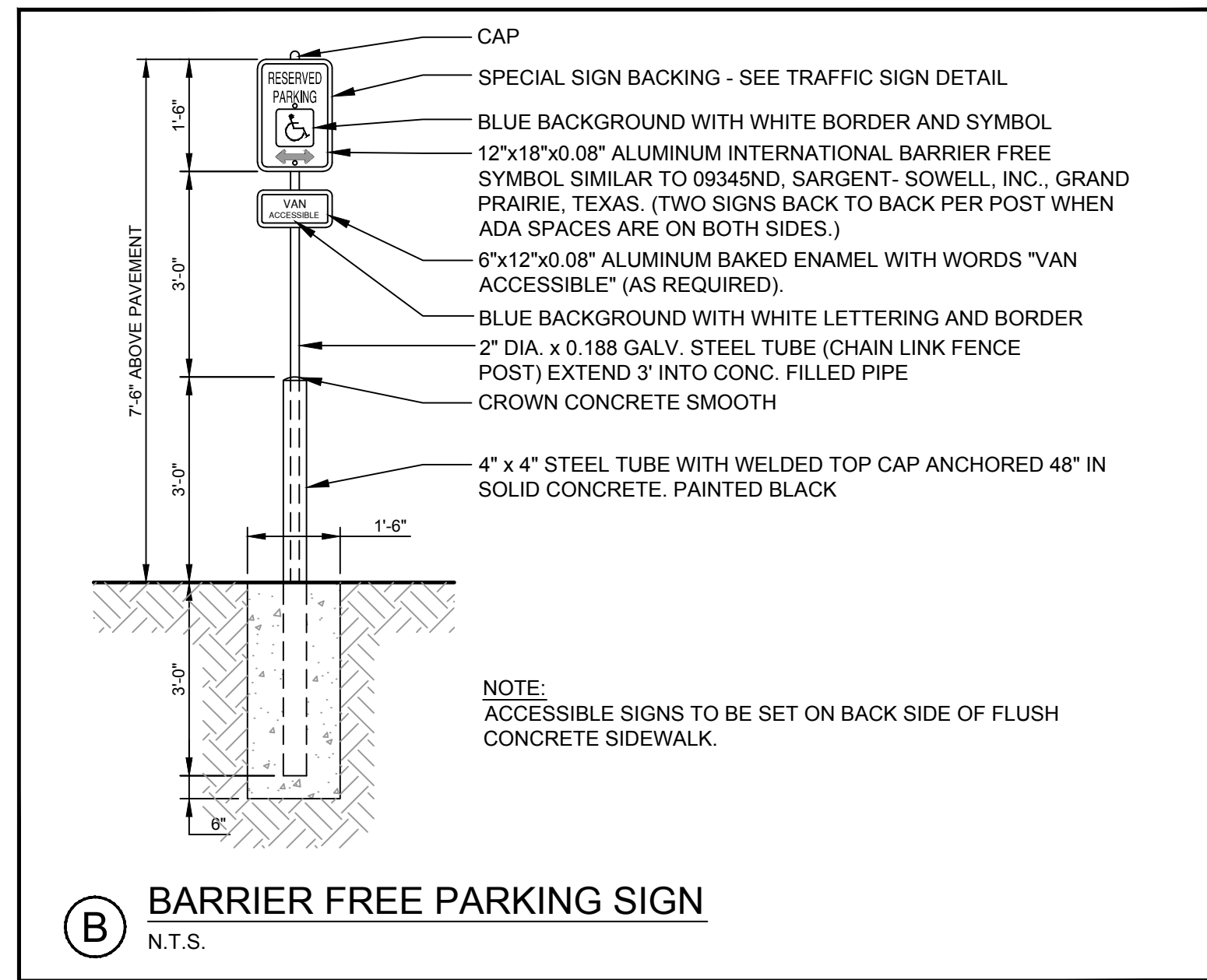
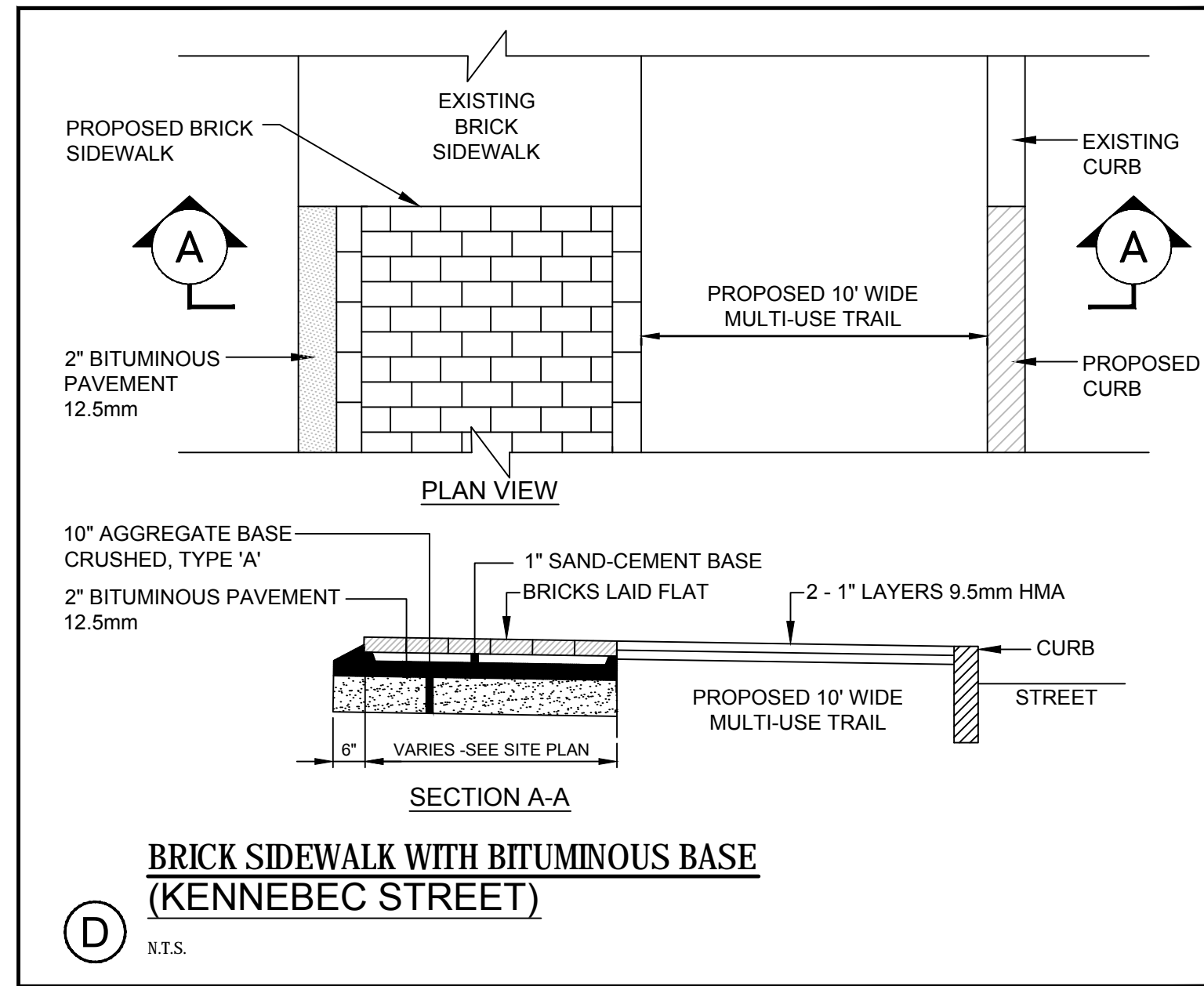
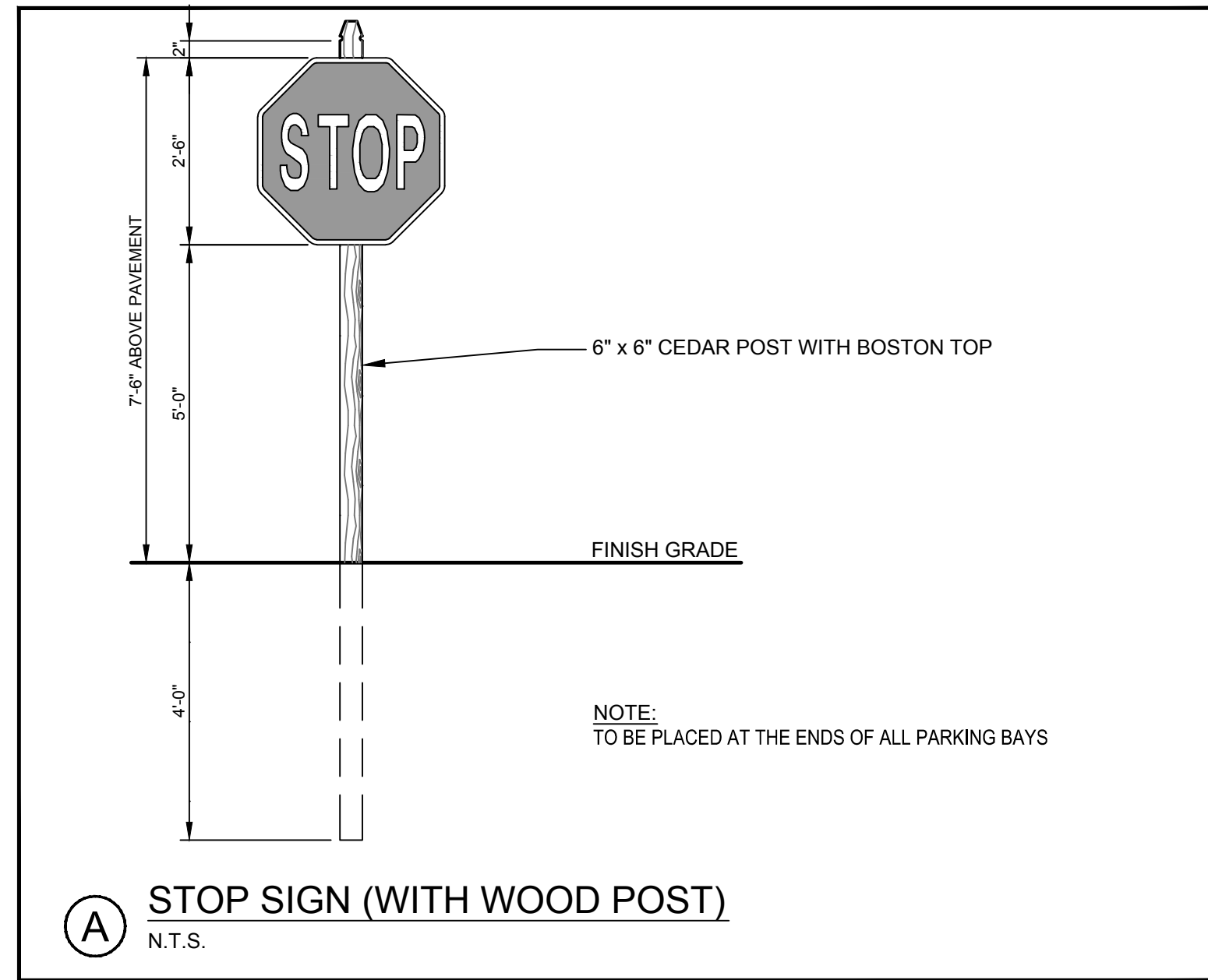
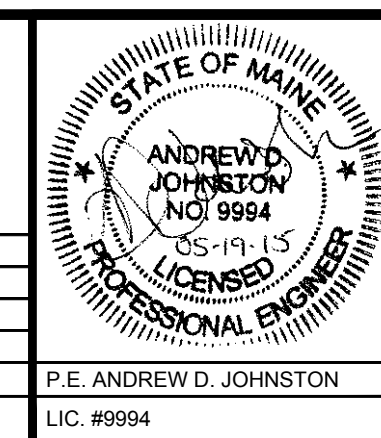


PRELIMINARY - NOT FOR CONSTRUCTION



REV	DATE	DESCRIPTION
4	05.18.15	REVISED FOR FINAL CITY COMMENTS
3	04.10.15	REVISED PER CITY COMMENTS
2	04.01.15	REVISED PER CITY COMMENTS
1	02.13.15	ISSUED FOR CITY PERMIT



PROJECT
CENTURY TIRE PLAZA
195 KENNEBEC STREET, PORTLAND, ME

SHEET TITLE
DETAILS

CLIENT
NORTHLAND ENTERPRISES, LLC

FST
100 YEARS

FAY, SPOFFORD & THORNDIKE
ENGINEERS - PLANNERS - SCIENTISTS
778 MAIN ST, SUITE 8, SOUTH PORTLAND, ME 04106

DRAWN: KCS DATE: 11.25.14
DESIGNED: ADJ SCALE: NTS
CHECKED: ADJ JOB NO. SP-M160
FILE NAME: SP-M160 DETAILS
SHEET **C-7.2**