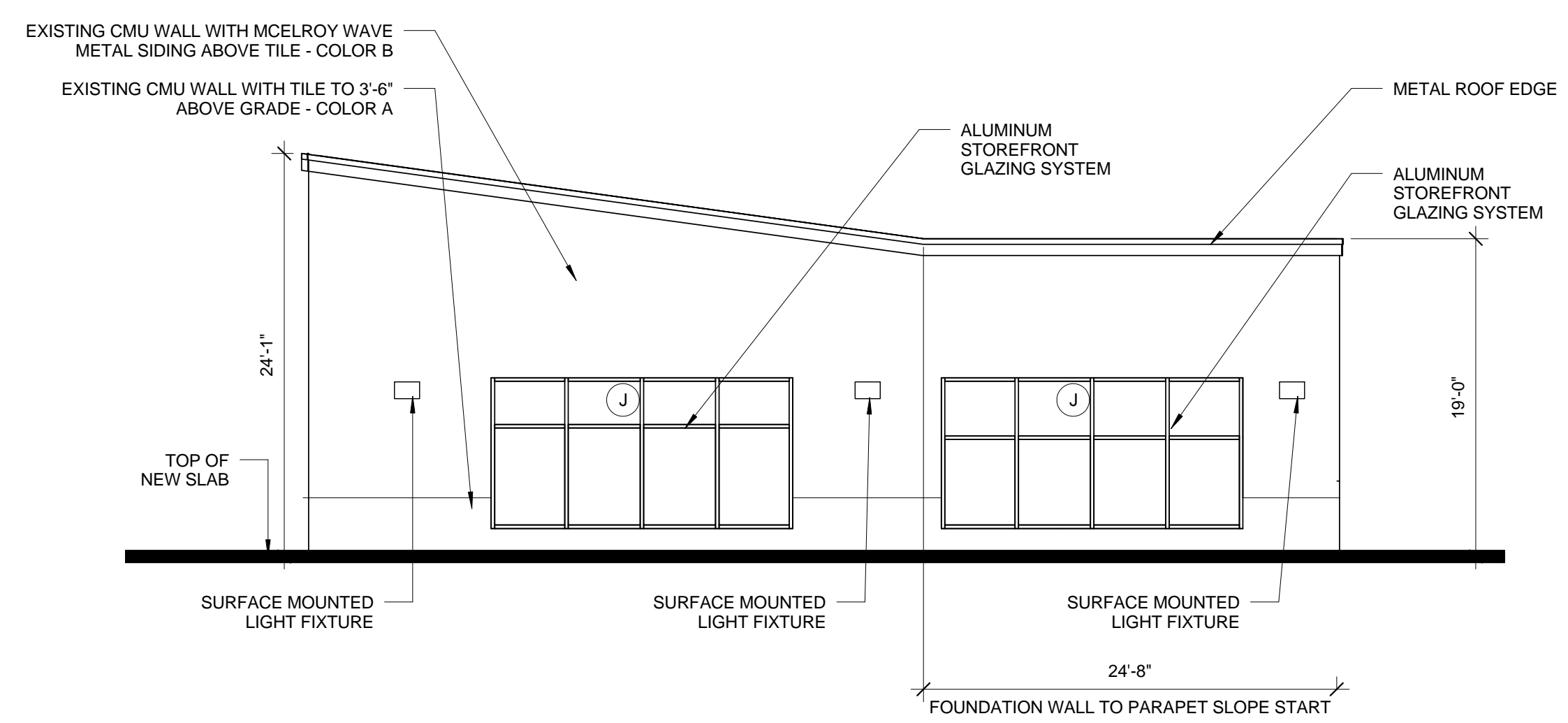
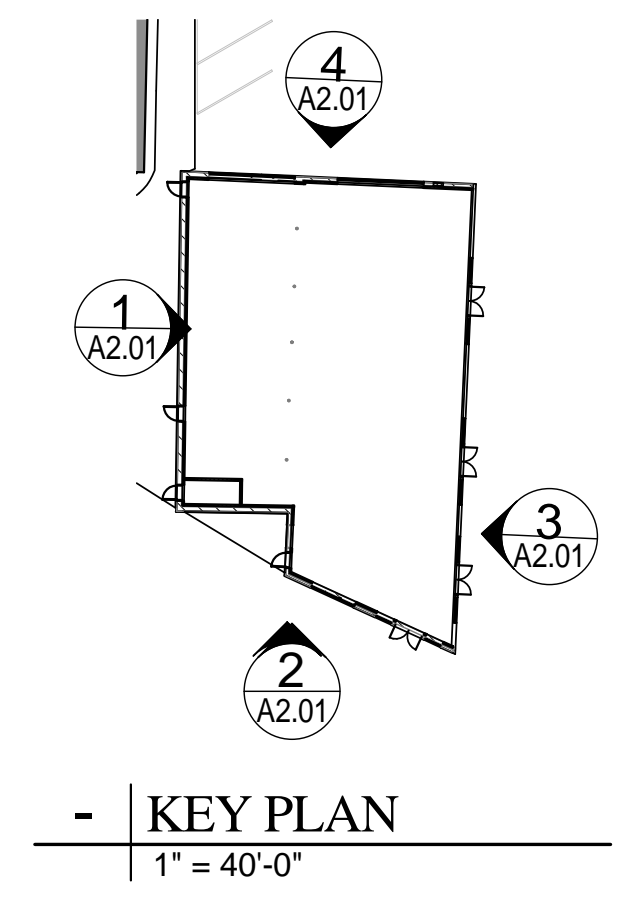
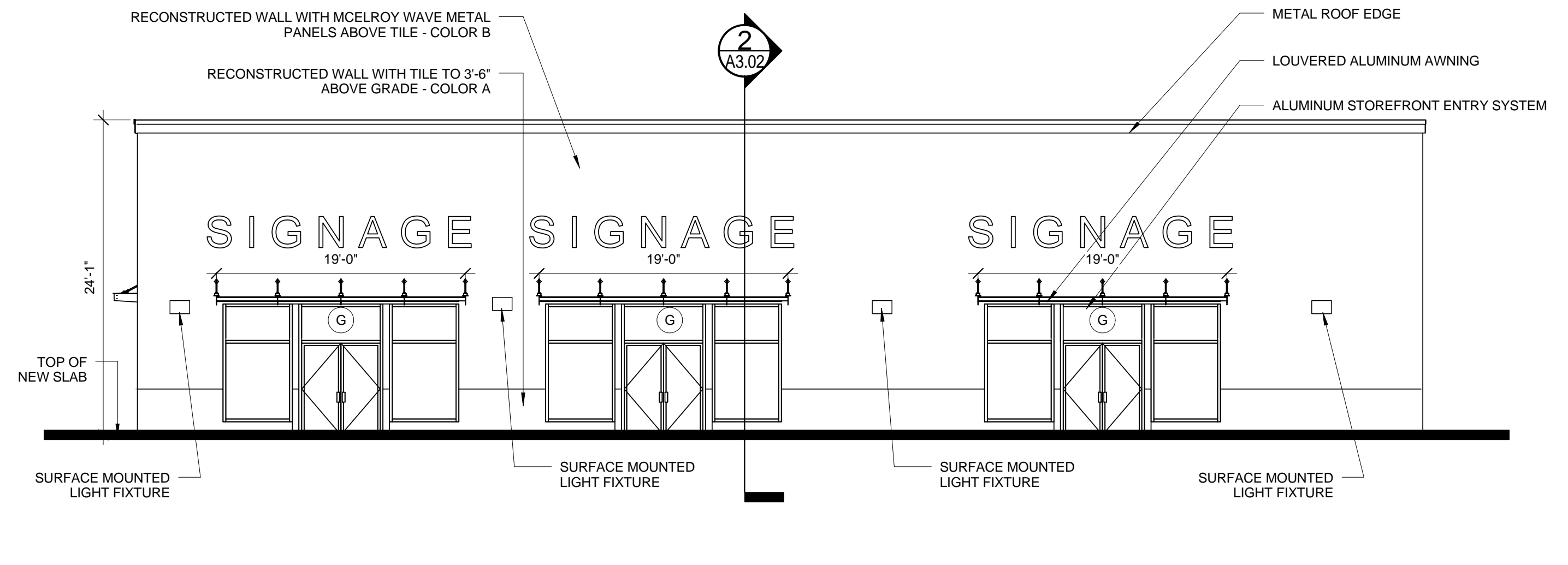


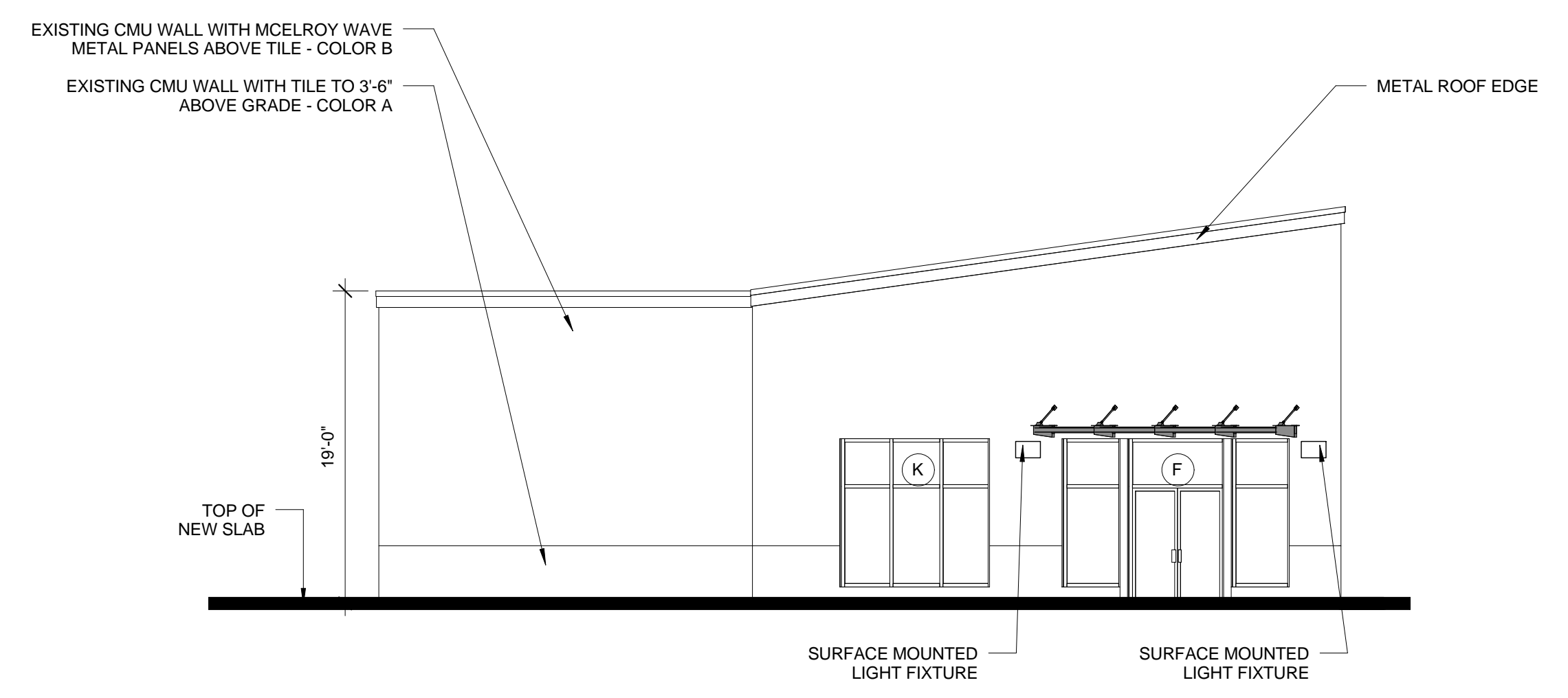
**SIDING COLORS**  
 COLOR A = GRAY (TILE)  
 COLOR B = T.B.D. (MCELROY WAVE METAL SIDING)  
 COLOR C = WHITE (MCELROY WAVE METAL SIDING)



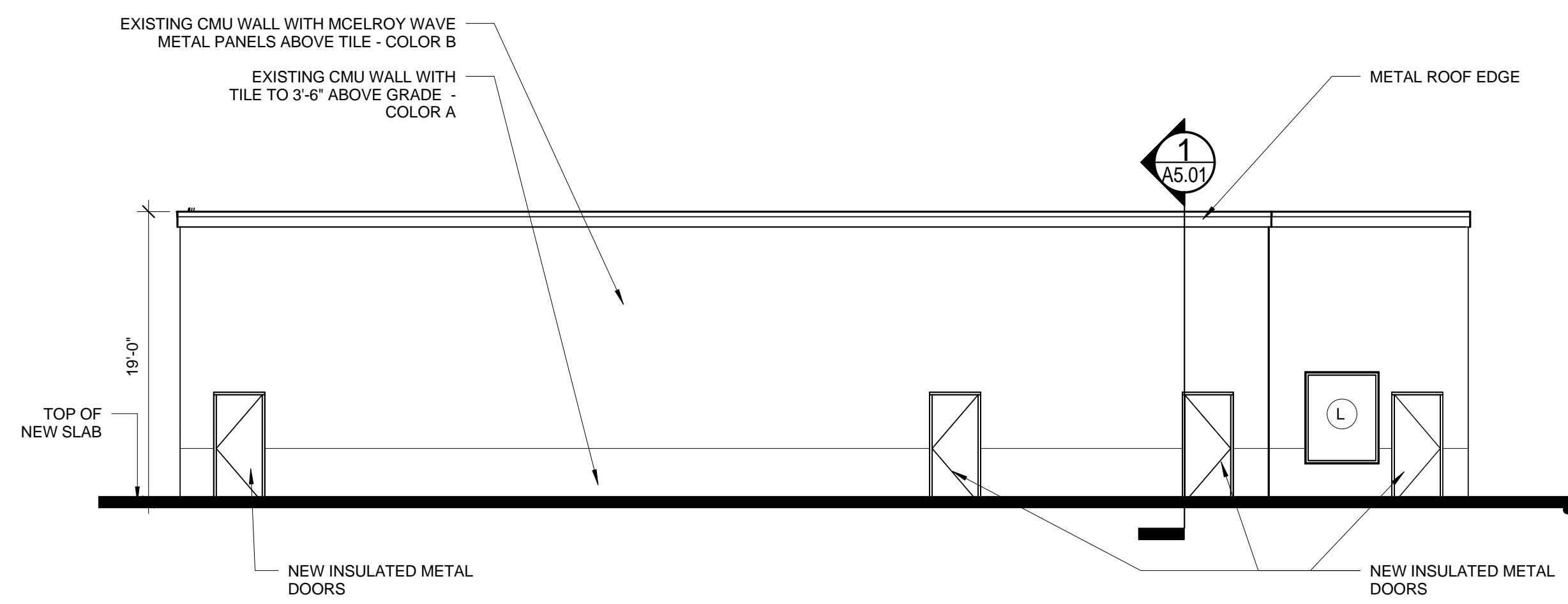
**4 | BUILDING A NORTH ELEVATION**  
 1/8" = 1'-0"



**3 | BUILDING A EAST ELEVATION**  
 1/8" = 1'-0"



**2 | BUILDING A SOUTH ELEVATION**  
 1/8" = 1'-0"



**1 | BUILDING A WEST ELEVATION**  
 1/8" = 1'-0"

Prepared For:	Address City, State
Consultant:	Architect:
Project:	Century Tire
Revisions:	Scale: As indicated
Date: 05-01-2015	<b>BUILDING A ELEVATIONS</b>
<b>A2.01</b>	

**ARCHETYPE**  
 architects  
 48 Union Wharf Portland, Maine 04101  
 (207) 772-6022 ARCHETYPE@ARCHETYPEPA.COM