

HYDRAULIC-SYSTEM
 THIS BUILDING IS PROTECTED BY A HYDRAULICALLY DESIGNED AUTOMATIC SPRINKLER SYSTEM.

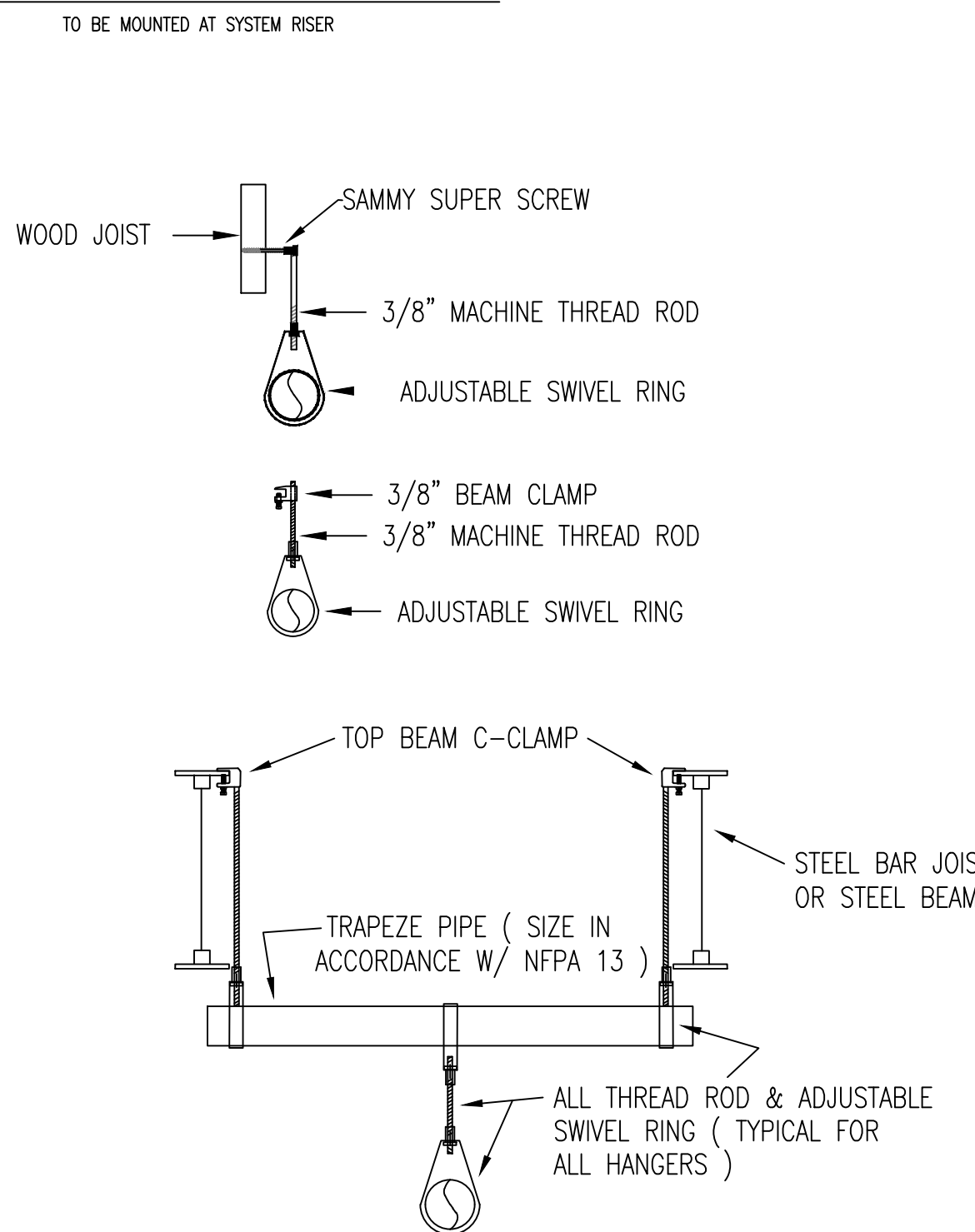
LOCATION: **BUILDING A**

No. OF SPRINKLERS: **10**
 (CALCULATED)

BASIS OF DESIGN:
 1. DENSITY (GPM/SQ.FT.) **.2**
 2. DESIGNED AREA OF DISCHARGE (SQ.FT.) **1086**

SYSTEM DEMAND:
 1. WATER FLOW RATE (GPM) **251.2**
 2. RESIDUAL PRESSURE AT THE BASE OF THE RISER **54.5** (PSI)

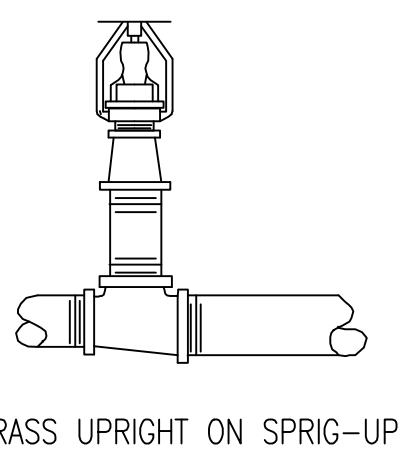
HYDRAULIC DATA NAMEPLATE



HANGER DETAILS
NOT TO SCALE

ALL HANGERS TO BE PROVIDED AND INSTALLED AS PER NFPA # 13
 3/8" ROD FOR 1" TO 4" PIPE
 1/2" ROD FOR 5" TO 8" PIPE

NOTE: BEAM CLAMP TO BE ATTACHED TO ANGLE OF STEEL JOIST AND/OR BEAM FLANGES



SPRINKLER HEAD DETAILS
NOT TO SCALE

HYDRAULIC-SYSTEM
 THIS BUILDING IS PROTECTED BY A HYDRAULICALLY DESIGNED AUTOMATIC SPRINKLER SYSTEM.

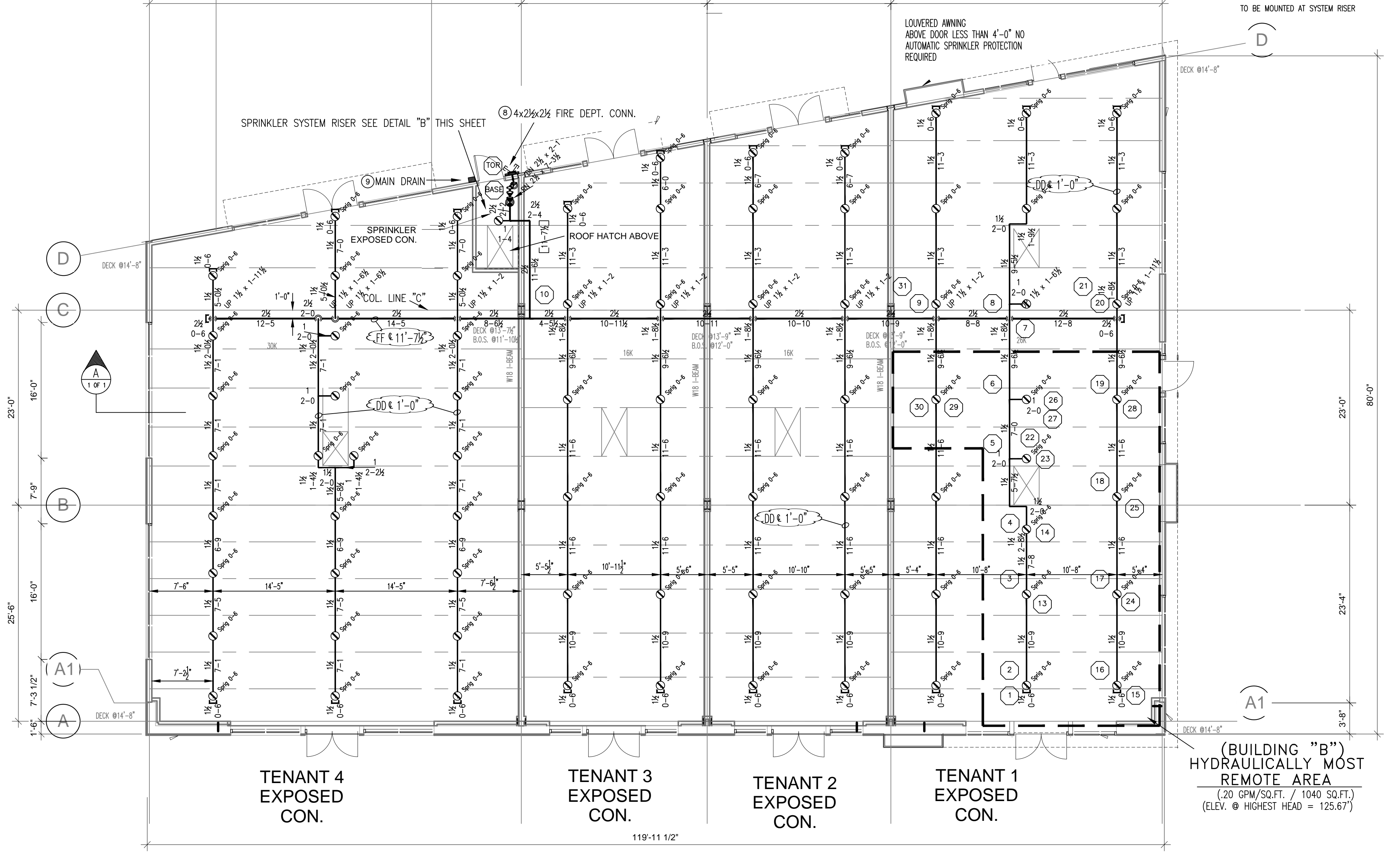
LOCATION: **BUILDING B**

No. OF SPRINKLERS: **10**
 (CALCULATED)

BASIS OF DESIGN:
 1. DENSITY (GPM/SQ.FT.) **.2**
 2. DESIGNED AREA OF DISCHARGE (SQ.FT.) **1040**

SYSTEM DEMAND:
 1. WATER FLOW RATE (GPM) **293**
 2. RESIDUAL PRESSURE AT THE BASE OF THE RISER **73.3** (PSI)

HYDRAULIC DATA NAMEPLATE

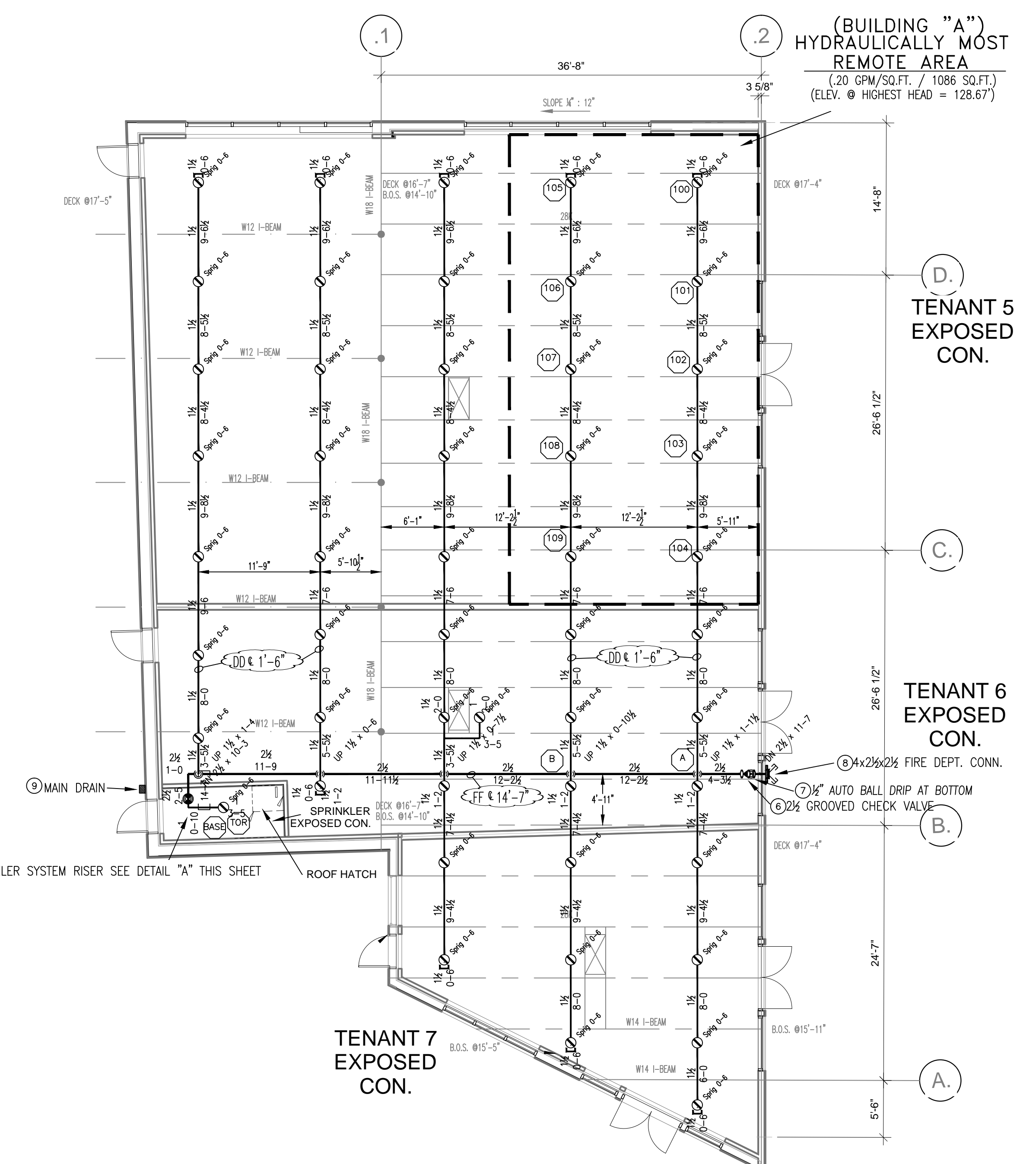


FIRE SPRINKLER PLAN - BUILDING "B"

SCALE: 1/8"=1'-0"
 AREA PROTECTED: 8068 SQ.FT.
 FINISH FLOOR ELEVATION : 112.0'
 COLOR CODE:

Symbol	Count	Thread	K-Factor	Description	Note
⊗	77	3/4"	8.0	200' RELIABLE F1FR 3/4" K=8.0 BRASS UPRIGHT R3622	on Spring

77 = Total Number of Heads This Building

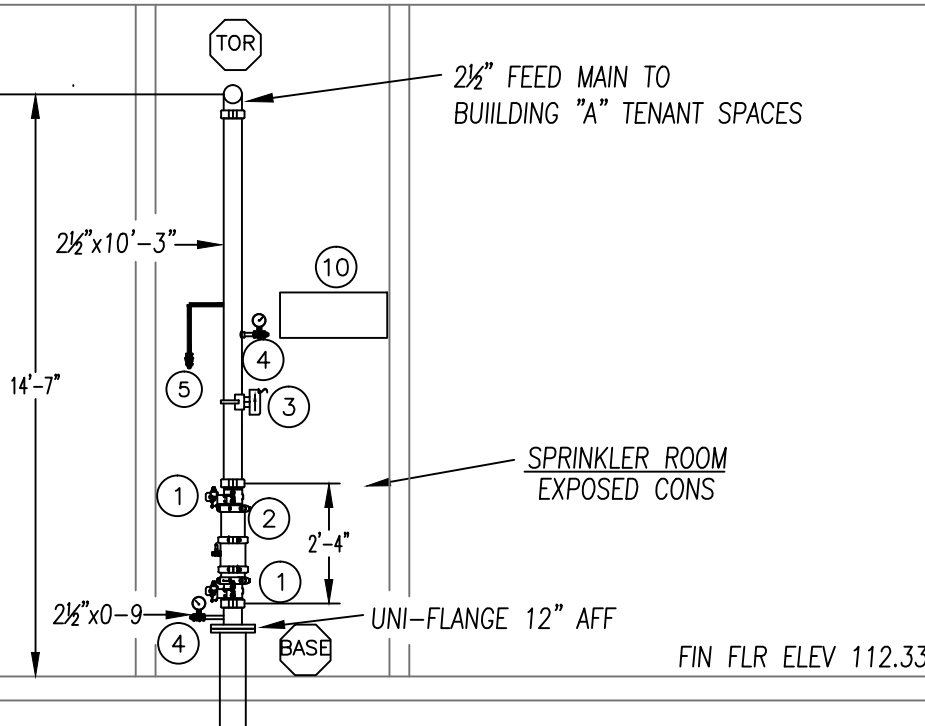


FIRE SPRINKLER PLAN - BUILDING "A"

SCALE: 1/8"=1'-0"
 AREA PROTECTED: 4757 SQ.FT.
 FINISH FLOOR ELEVATION : 112.33'
 COLOR CODE:

Symbol	Count	Thread	K-Factor	Description	Note
⊗	50	3/4"	8.0	200' RELIABLE F1FR 3/4" K=8.0 BRASS UPRIGHT R3622	on Spring

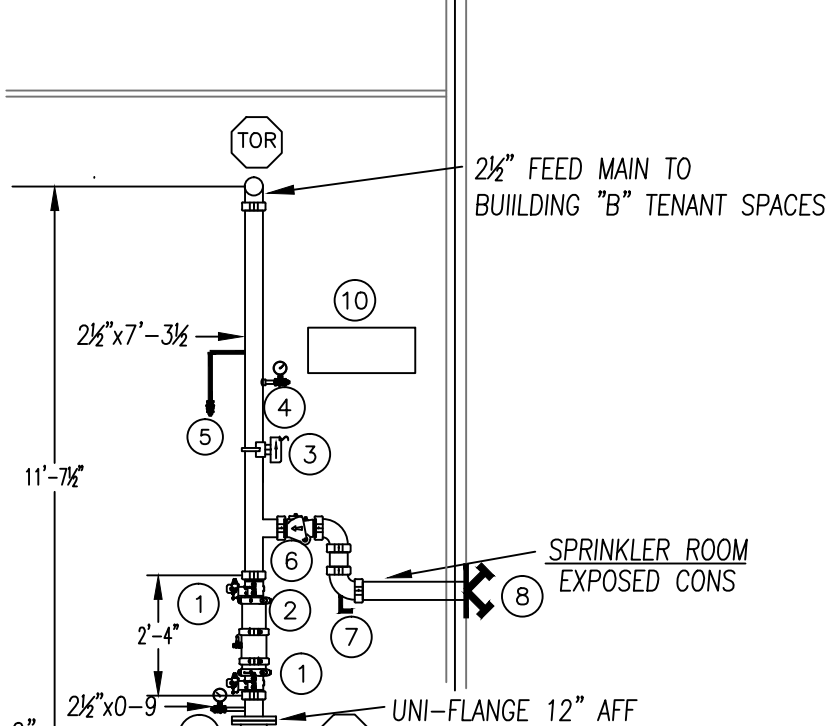
50 = Total Number of Heads This Building



VALVE RISER DETAIL "A"
NOT TO SCALE

- LEGEND**
- ① 2" GROOVED BUTTERFLY VALVE WITH TAMPER SWITCH
 - ② 2" AMES COLT CROSBY BACKFLOW PREVENTER
 - ③ 2" POTTER FLOW SWITCH MODEL VSR-F (WIRED TO BUILDING ALARM SYSTEM)
 - ④ WATER PRESSURE GAGE
 - ⑤ 1 1/2" TEST-N-DRAIN VALVE PIPED TO EXTERIOR
 - ⑥ 2" GROOVED CHECK VALVE (SEE BLDG. "A" FLOOR PLAN)
 - ⑦ 1/2" AUTO BALL DRIP AT BOTTOM (SEE BLDG. "A" FLOOR PLAN)
 - ⑧ 4"x2 1/2"x2 1/2" SIAMASE FIRE DEPT. CONNECTION (SEE BLDG. "A" FLOOR PLAN)
 - ⑨ 1 1/2" TEST & MAIN DRAIN OUTLET (SEE BLDG. "A" FLOOR PLAN)
 - ⊗ SPARE SPRINKLER HEAD BOX

ALL ELECTRICAL WIRING BY OTHERS



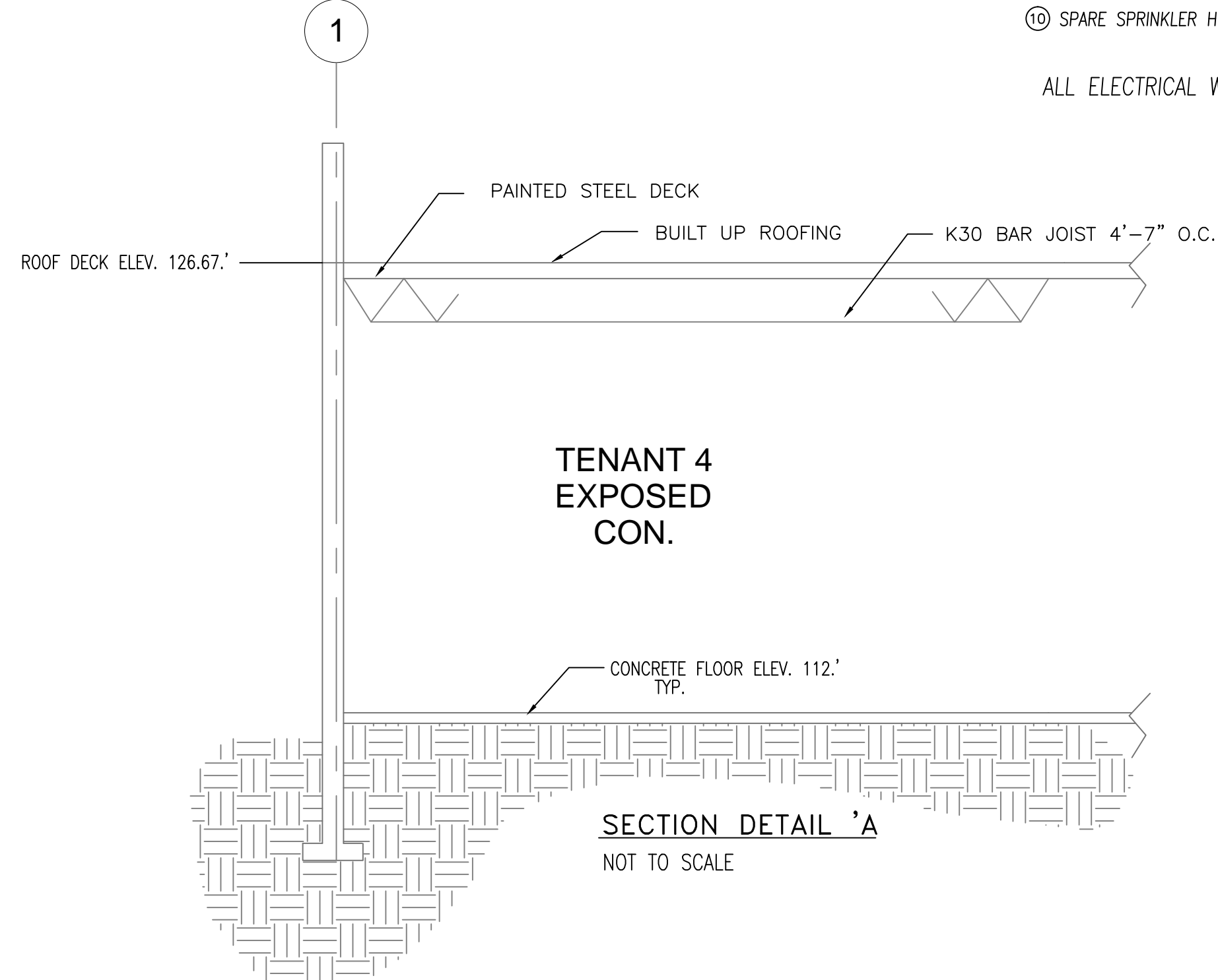
VALVE RISER DETAIL "B"
NOT TO SCALE

- LEGEND**
- ① 2" GROOVED BUTTERFLY VALVE WITH TAMPER SWITCH
 - ② 2 1/2" AMES COLT CROSBY BACKFLOW PREVENTER
 - ③ 2" POTTER FLOW SWITCH MODEL VSR-F (WIRED TO BUILDING ALARM SYSTEM)
 - ④ WATER PRESSURE GAGE
 - ⑤ 1 1/2" TEST-N-DRAIN VALVE PIPED TO EXTERIOR
 - ⑥ 2" GROOVED CHECK VALVE
 - ⑦ 1/2" AUTO BALL DRIP AT BOTTOM
 - ⑧ 4"x2 1/2"x2 1/2" SIAMASE FIRE DEPT. CONNECTION (SEE BLDG. "B" FLOOR PLAN)
 - ⑨ 1 1/2" TEST & MAIN DRAIN OUTLET (SEE BLDG. "B" FLOOR PLAN)
 - ⊗ SPARE SPRINKLER HEAD BOX

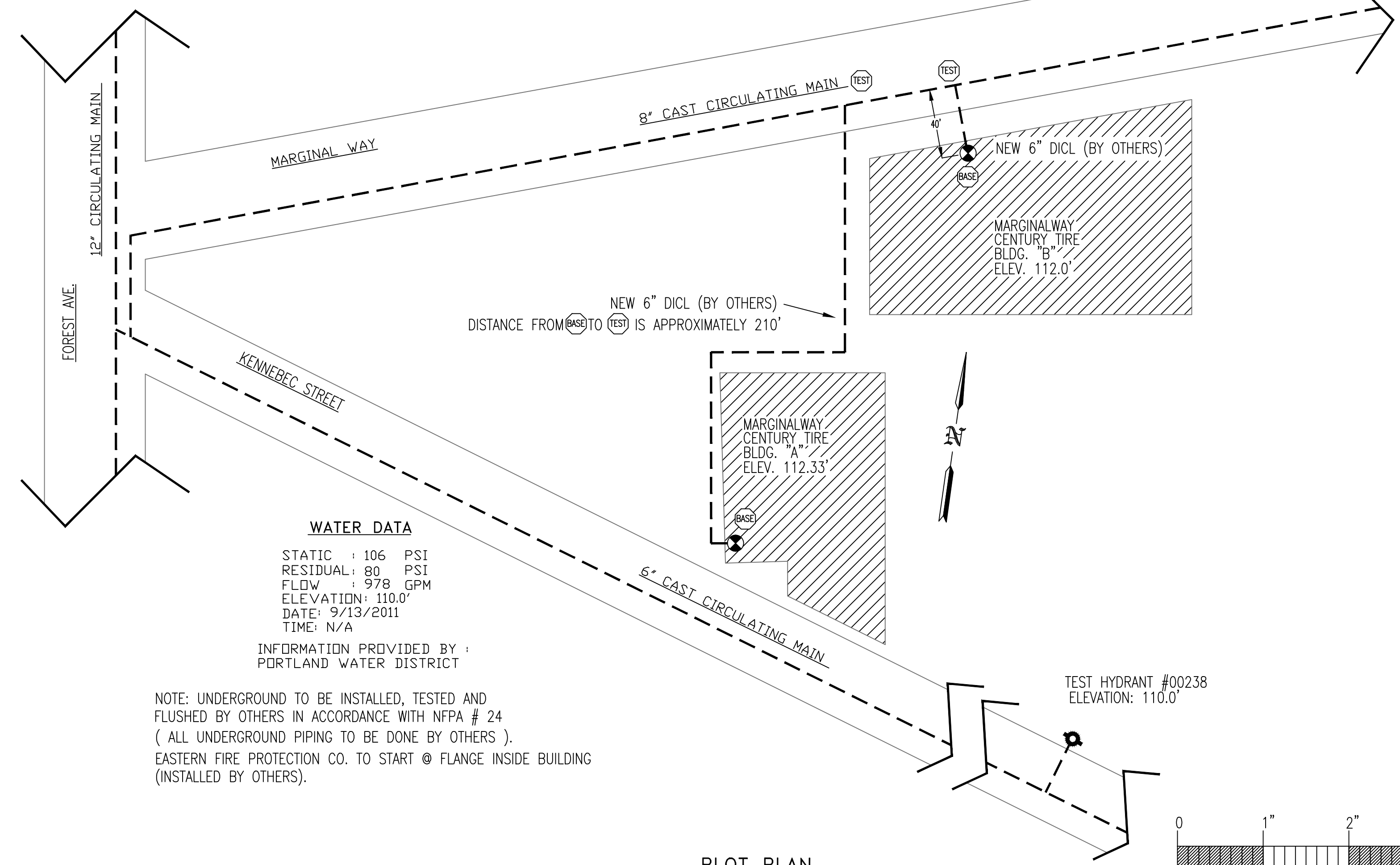
ALL ELECTRICAL WIRING BY OTHERS

GENERAL NOTES

- ALL WIRING TO BE DONE BY OTHERS
- SPRINKLER SYSTEM INSTALLATION TO COMPLY WITH NFPA PAMPHLET # 13R (2007 EDITION).
- ALL DIMENSIONS ARE SHOWN FOR GENERAL LOCATION OF SPRINKLER HEADS ; PIPING MAY VARY TO SUIT ACTUAL FIELD CONDITIONS.
- ACOUSTICAL CEILING TILE (ACT) TO BE LISTED NON-COMBUSTIBLE WITH UL FLAME SPREAD OF LESS THAN 25.
- OCCUPANCY DESCRIPTION AND CLASSIFICATION: TENANT SPACES: MERCANTILE ORDINARY HAZARD II MECHANICAL SPACES: ORDINARY HAZARD I
- STORAGE OF CLASS I-IV COMMODITIES TO A MAXIMUM HEIGHT OF 10'
- OPG INDICATES OUTSIDE FACE OF GIRT.
- △ = INDICATES HYDRAULIC REFERENCE POINTS.
- F.F. Ⓢ INDICATES FINISH FLOOR UP TO CENTERLINE OF PIPE.
- D Ⓢ INDICATES DECK DOWN TO CENTERLINE OF PIPE.



SECTION DETAIL "A"
NOT TO SCALE

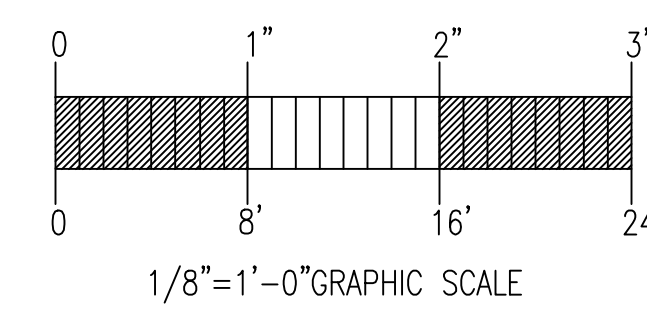


PLOT PLAN
SCALE: N.T.S.

WATER DATA
 STATIC : 106 PSI
 RESIDUAL : 80 PSI
 FLOW : 978 GPM
 ELEVATION : 110.0'
 DATE : 9/13/2011
 TIME : N/A

INFORMATION PROVIDED BY : PORTLAND WATER DISTRICT

NOTE: UNDERGROUND TO BE INSTALLED, TESTED AND FLUSHED BY OTHERS IN ACCORDANCE WITH NFPA # 24 (ALL UNDERGROUND PIPING TO BE DONE BY OTHERS). EASTERN FIRE PROTECTION CO. TO START @ FLANGE INSIDE BUILDING (INSTALLED BY OTHERS).



GENERAL NOTES	DATE	REVISIONS	REQUIRED APPROVALS	MARGINAL WAY CENTURY TIRE	FIRE SPRINKLER PLANS & DETAILS
SPRINKLER SYSTEM INSTALLATION TO COMPLY WITH NFPA PAMPHLET # 13 (2007)			OWNER / ARCHITECT STATE FIRE MARSHAL PORTLAND FIRE DEPARTMENT	MARGINAL WAY CENTURY TIRE MARGINAL WAY, PORTLAND, MAINE	DWG. NO. 1 OF 1
BRANCH LINE PIPING (1") TO BE BLACK SCHEDULE 40 JOINED BY THREADED DUCTILE IRON FITTINGS			DRAWN BY WAF NICET LEVEL CERT# 095574	CONTRACT WITH: NORTHEAST EQUIPMENT AND SUPPLY	JOB NUMBER 5378-15
MAIN & LINE PIPING (1 1/2"-2 1/2") TO BE SCHEDULE # 10 BLACK WITH GROOVED ENDS & WELDED OUTLETS JOINED BY MECHANICAL COUPLINGS			CHECKED BY JWD NICET LEVEL III CERT# 116803	EASTERN FIRE PROTECTION AUBURN/LEWISTON INDUSTRIAL AIRPARK, AUBURN, MAINE 04210	SCALE AS NOTED
OWNER TO PROVIDE SUFFICIENT HEAT THROUGHOUT BUILDING TO PREVENT FREEZING OF WATER FILLED SPRINKLER PIPING AND EQUIPMENT. (MIN 40° F)			CONTRACTOR LICENSE # 101 CONTRACTOR R#S # 368		DATE 10/29/15