



Predator Simplicity SE

Single Package R-410A Air Conditioner

Project Name: Al Hill - Century Tire 3

Unit Model #: ZF120S20V2UAA7

Quantity: 2

System: ZF120S20V2UAA7 (2)

Cooling Performance

Total capacity	134.5 MBH
Sensible capacity	96.1 MBH
Refrigerant type	R-410A
Efficiency (at ARI)	11.20 EER
Integrated eff. (at ARI)	12.10 IEER
Ambient DB temp.	86.8 °F
Entering DB temp.	80.0 °F
Entering WB temp.	67.0 °F
Leaving DB temp.	57.8 °F
Leaving WB temp.	56.3 °F
Part load efficiency	12.6 IPLV
Power input (w/o blower)	8.36 kW
Sound power	90 dB(A)

Gas Heating Performance

Entering DB temp.	60 °F
Heating output capacity (Max)	192 MBH
Supply air	4000 CFM
Heating input capacity (Max)	240 MBH
Leaving DB temp.	104.4 °F
Air temp. rise	44.4 °F
SSE	80.0 %
Stages	2

Supply Air Blower Performance

Supply air	4000 CFM
Ext. static pressure	0.6 IWG
Unit static resistance	0.56 IWG
Blower speed	1176 RPM
Max BHP of Motor (including service factor)	3.45 HP
Duct location	Bottom
Motor rating	3.00 HP
Actual required BHP	2.92 HP
Power input	2.72 kW
Elevation	62 ft.
Drive type	BELT
Requires field-supplied drive	true

Electrical Data

Power supply	230-3-60
Unit min circuit ampacity	58.5 Amps
Unit max over-current protection	70 Amps

Dimensions & Weight

Hgt	51 in.	Len	89 in.	Wth	59 in.
Weight with factory installed options		1265 lbs.			

Clearances

Right	12 in.	Front	36 in.	Back	36 in.
Top	72 in.	Bottom	0 in.	Left	36 in.

Note: Please refer to the tech guide for listed maximum static pressures



10 Ton

- York Predator units are manufactured at an ISO 9001 registered facility and each rooftop is completely computer-run tested prior to shipment.

Unit Features

- Unit Cabinet Constructed of Powder Painted Steel, Certified At 1000 Hours Salt Spray Test (ASTM B-117 Standards)
- Through-the-Curb and Through-the-Base Utility Connections
- Full perimeter base rails with built in rigging capabilities
- Hinged Access Panels
- Slide-Out Condensate Drain Pan
- Reciprocating Compressor
- Two Stage Cooling
- Solid Core Liquid Line Filter Driers
- Microchannel Condenser Coil
- 192 MBH Output Stainless Steel, Two Stage Gas Heat
- Unit Ships with 2" Throatway Filters with a Standard Filter Rack that will Accept up to 4" Filters
- Replacement Filters: 4 - (24" x 20"). Unit accepts 2" or 4" wide filters.
- Single Point Power Connection
- HACR Circuit Breaker/Disconnect (Sized for 208 Volts)
- Powered Convenience Outlet (110 VAC / 15 Amp)
- Supply Air Smoke Detector
- Dry Bulb Low Leak Economizer w/Barometric Relief and Hoods (Bottom or Horizontal End Return Only)
- Short Circuit Current: 5kA RMS Symmetrical

Standard Unit Controller: Simplicity Control Board

- Safety Monitoring - Monitors the high and low-pressure switches, the freezestats, the gas valve, if applicable, and the temperature limit switch on gas and electric heat units. The unit control board will alarm on ignition failures, safety lockouts and repeated limit switch trips.

BAS Controller

- Simplicity SE Controller with Discharge Air, Return Air, and Outside Air Sensor

Warranty

- One (1) Year Limited Warranty on the Complete Unit
- Five (5) Year Warranty - Compressors
- Fifteen (15) Year Warranty on Stainless Steel Heat Exchanger



Predator Simplicity SE
Single Package R-410A Air Conditioner

Project Name: AI Hill - Century Tire 3

Unit Model #: ZF120S20V2UAA7

Quantity: 2

System: ZF120S20V2UAA7 (2)

Factory Installed Options

ZF120S20V2UAA7

Product Category:	Z	York Predator Single Packaged R-410A Air Conditioner
Product Identifier:	F	11.2 EER / 12.1 IEER
Nominal Cooling Capacity:	120	10 Ton Two Stage Cooling
Heat Type and Nominal Heat Capacity:	S20	192 MBH Output Stainless Steel, Two Stage Gas Heat
Airflow:	V	3 HP High Static Belt Drive Blower Dry Bulb Low Leak Economizer w/Barometric Relief and Hoods (Bottom or Horizontal End Return Only)
Voltage:	2	208/230-3-60
Installation Options:	U	HACR Circuit Breaker/Disconnect (Sized for 208 Volts) Supply Air Smoke Detector Powered Convenience Outlet (110 VAC / 15 Amp)
Additional Options:	AA	2" Throwaway Filters Microchannel Condenser Coil Simplicity® SE Controller with Discharge Air, Return Air, and Outside Air Sensor Composite Drain Pan
Product Generation:	7	

Field Installed Accessories

- 1RC0471 - Roof Curb - 14" High, Flat, Uninsulated, Full Perimeter (Shipped Knocked Down) (135.0 lbs)
- 2EC0401 - Kit, Single Enthalpy Field Installed (1.0 lbs)
- S1-02815208000 - Blower Sheave for 8.5 and 10 Ton High Static Field Installed Drive (3.0 lbs)
- S1-A52 - Belt for 8.5 and 10 Ton High Static Field Installed Drive (0.4 lbs)



Predator Simplicity SE

Single Package R-410A Air Conditioner

Project Name: AI Hill - Century Tire 3

Unit Model #: ZF120S20V2UAA7

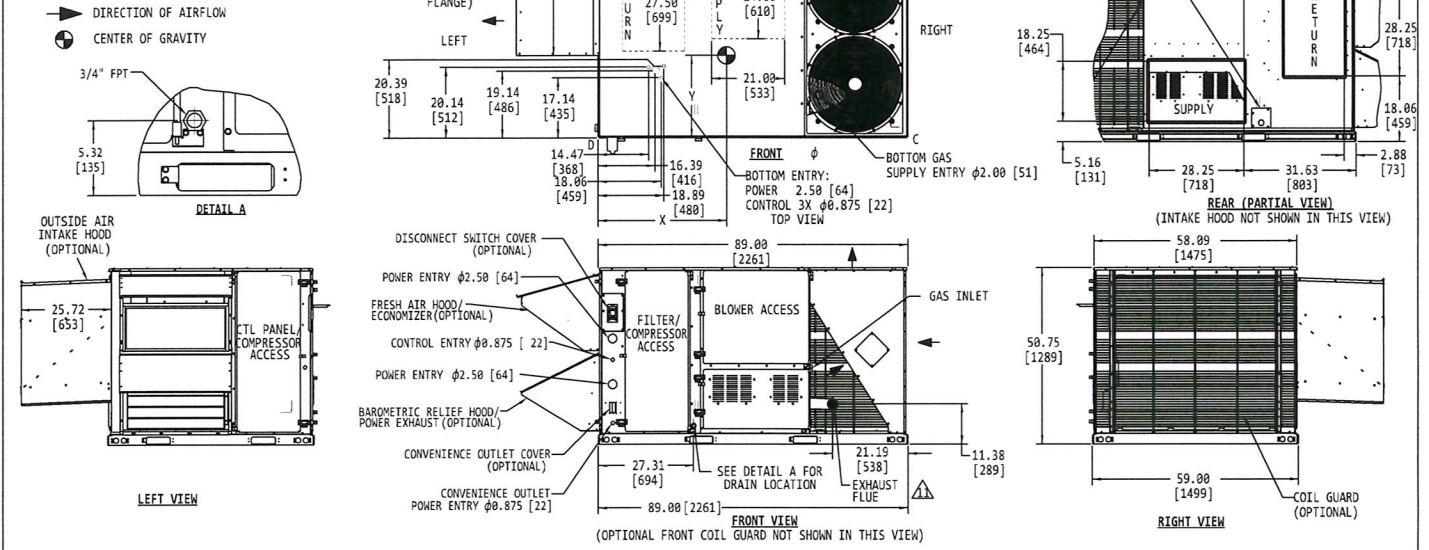
Quantity: 2

System: ZF120S20V2UAA7 (2)

Consolidated Drawing

- NOTES:
- FOR OUTDOOR USE ONLY.
 - WEIGHTS SHOWN ARE FOR COOLING ONLY UNITS.
 - MIN. CLEARANCES TO BE:
RIGHT SIDE: 12 [305]
LEFT SIDE: 36 [915]
FRONT: 36 [915]
REAR: 36 [915]
TOP: 72 [1830]
BOTTOM: 0 [0]
 - TO REMOVE THE SLIDE-OUT DRAIN PAN, A REAR CLEARANCE OF 60 in (1525 mm) IS REQUIRED. IF SPACE IS UNAVAILABLE, THE DRAIN PAN CAN BE REMOVED THROUGH THE FRONT BY SEPARATING THE CORNER WALL.
 - FOR SMALLER SERVICE AND OPERATIONAL CLEARANCES CONTACT YOUR APPLICATION ENGINEERING DEPARTMENT.
 - DOWNFLOW DUCTS DESIGNED TO BE ATTACHED TO ACCESSORY ROOF CURB ONLY. IF UNIT IS MOUNTED SIDE SUPPLY, IT IS RECOMMENDED THAT THE DUCTS ARE SUPPORTED BY CROSS BRACES, AS DONE ON ACCESSORY ROOF CURBS.
 - SIDE DUCT FLANGES ARE 0.75" HIGH. BOTTOM DUCTS DO NOT HAVE FLANGES.
 - MINIMUM CONDENSATION TRAP HEIGHT SHALL BE 1.5 TIMES THE LOWEST NEGATIVE STATIC.
 - DIMENSIONS IN [] ARE IN MILLIMETERS OR KILOGRAMS.
 - OPTIONAL COIL GUARDS, POWER EXHAUST, GAS HEAT ECONOMIZER, DISCONNECT SWITCH, CONVENIENCE OUTLET, AND BAROMETRIC RELIEF AND FRESH AIR HOODS SHOWN. EXCEPT XP (HEAT PUMP) UNITS.

TONNAGE	UNIT	OPERATING WEIGHT (LBS) (BASE UNIT)		CENTER OF GRAVITY LOCATION (BASE UNIT)		4 POINT CORNER LOADS (LBS) (BASE UNIT)									
		W	H	X	Y	A	B	C	D	E	F	G	H		
8.5	ZF	1007	458	38	965	24	610	235	107	175	79	255	116	342	155
10	ZF	1103	501	38	965	24	610	257	117	192	87	279	127	375	170
8.5	ZH	1030	467	38	965	24	610	240	109	179	81	261	118	350	159
10	ZH	1090	494	38	965	24	610	254	115	189	86	276	125	371	168
6.5	ZJ	1030	467	39	991	25	635	245	111	191	87	260	118	333	151
7.5	ZJ	1050	476	39	991	25	635	250	113	195	89	265	120	340	154
8.5	ZJ	1060	481	38	965	24	610	247	112	184	84	268	122	350	163
10	ZJ	1070	485	39	991	24	610	245	111	191	87	278	126	357	162
8.5 & 10	ZR	1200	544	38	965	25.5	648	297	135	221	100	291	132	390	177
6.5	XP	1080	490	38	965	25	635	262	119	195	89	266	121	357	162
7.5	XP	1090	494	38	965	23	584	243	110	181	82	284	129	381	173
8.5	XP	1137	516	38	965	25.5	648	282	128	210	95	276	125	370	168
10	XP	1135	515	38	965	25.5	648	281	127	209	95	275	125	369	167



Project Name: AI Hill - Century Tire 3

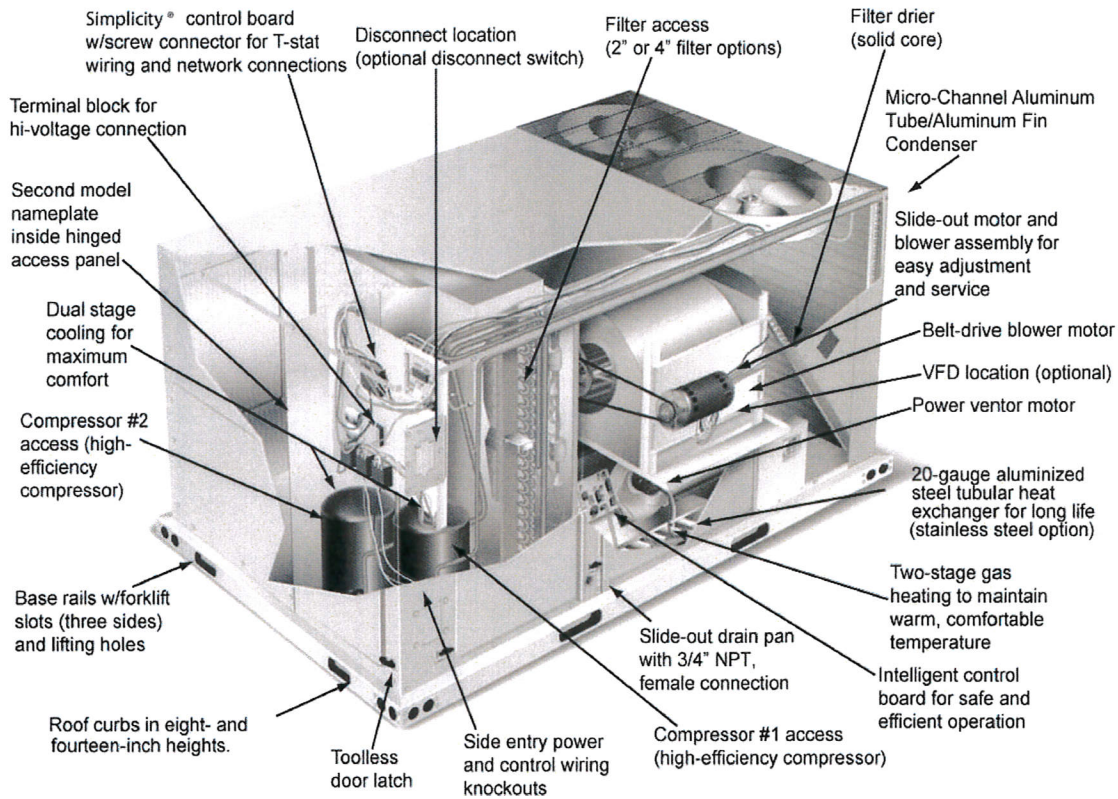
Unit Model #: ZF120S20V2UAA7

Quantity: 2

System: ZF120S20V2UAA7 (2)

Component Location

6 1/2 Through 10 Tons



Project Name: AI Hill - Century Tire 3

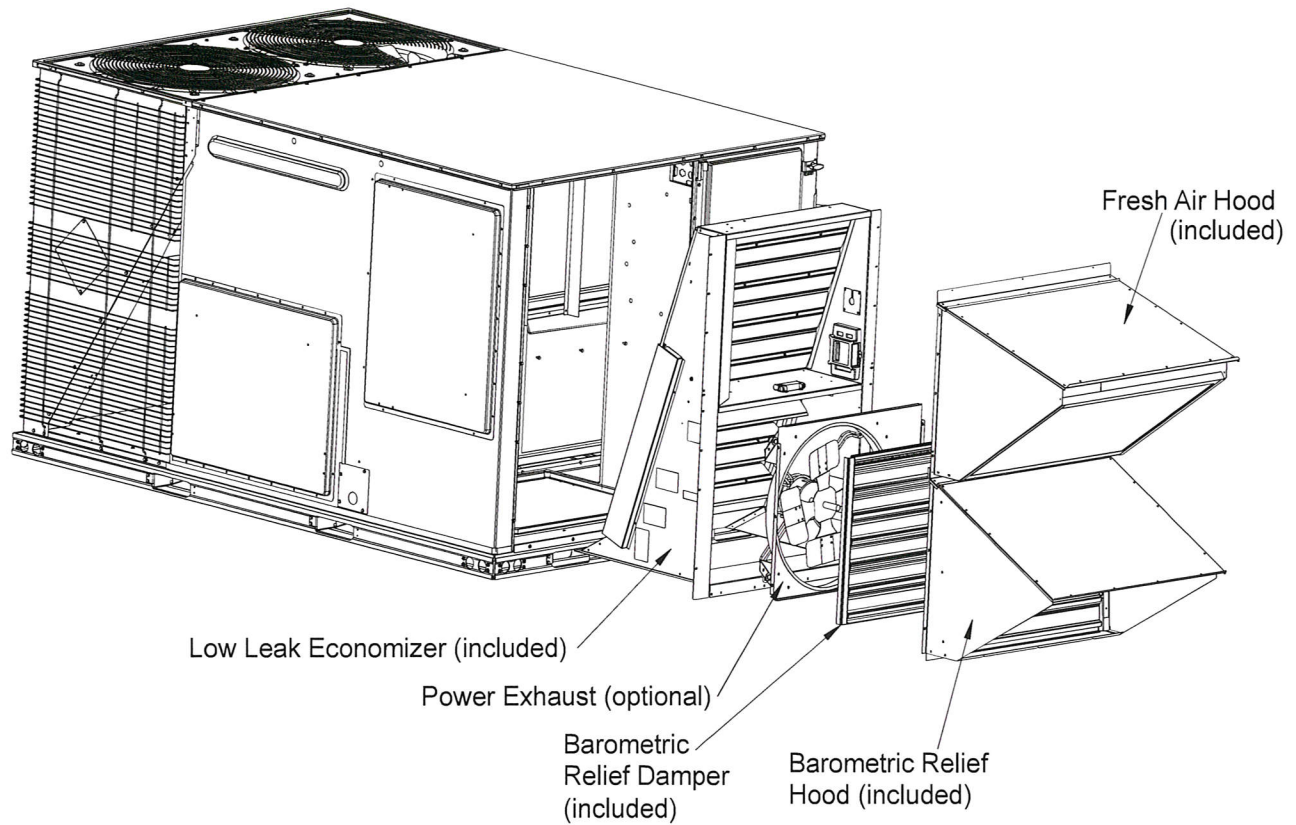
Unit Model #: ZF120S20V2UAA7

Quantity: 2

System: ZF120S20V2UAA7 (2)

Low Leak Downflow Economizer

Low Leak Downflow Economizer (shown with optional Power Exhaust)



Low leak economizers are capable achieving low leakage rates of 3 cfm/sq. ft at 1" of static pressure, meeting or exceeding the following standards:

- ASHRAE 90.1-2010
- ASHRAE 62
- AMCA 511 (licensed as Class 1A damper)
- International Energy Conservation Code (IECC)
- California Title 24

The outdoor intake opening shall be covered with a rain hood that matches the exterior of the unit. Water eliminator/filters shall be provided.

Simultaneous economizer/compressor operation is also possible. Dampers shall fully close on power loss.

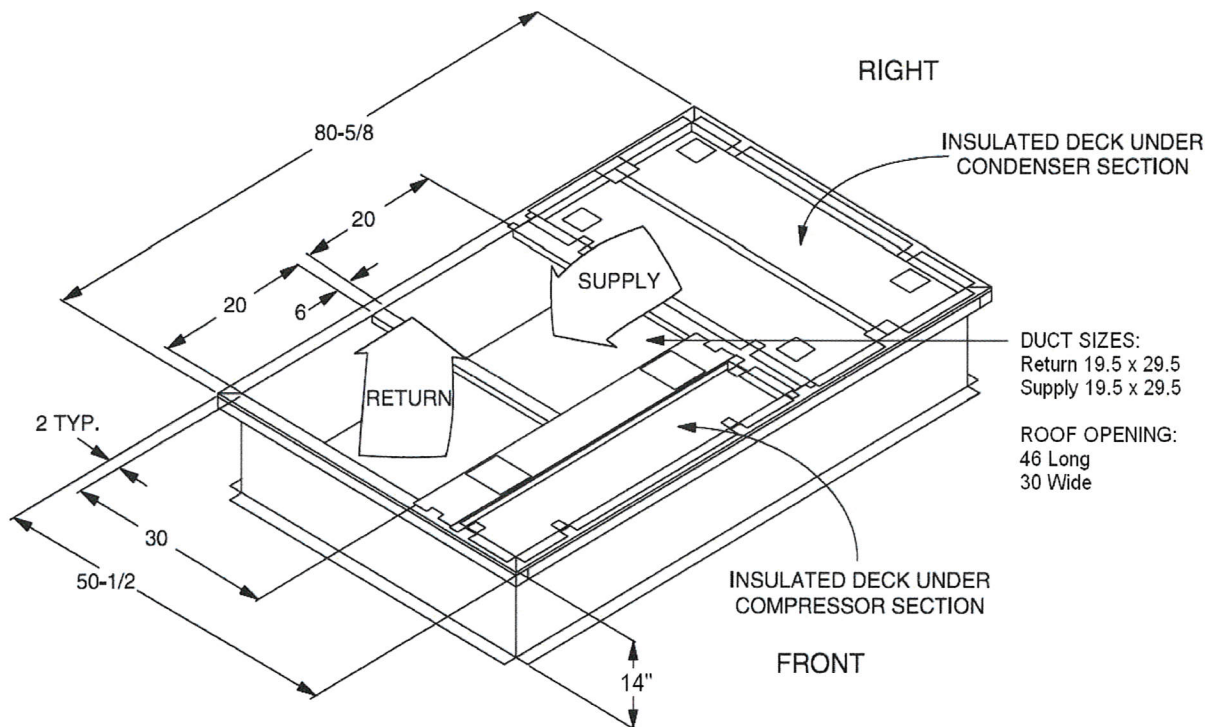
Project Name: AI Hill - Century Tire 3

Unit Model #: ZF120S20V2UAA7

Quantity: 2

System: ZF120S20V2UAA7 (2)

1RC0471 Roof Curb



* Supply and Return Air (Including duct support rails) as shown, are typical for bottom duct applications.
For location of horizontal duct applications (On rear of unit), refer to Unit Dimensions details.

1RC0471 Roof Curb Dimensions