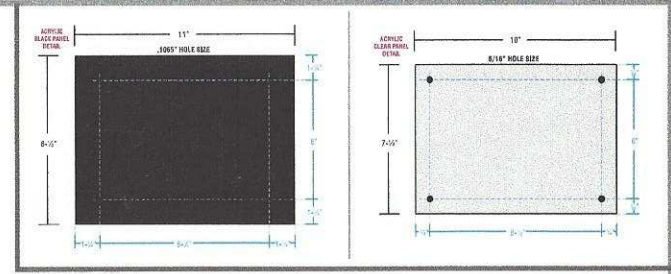


INTERIOR WALL PLAQUE
HALF SIZE

8-1/2" x 11" WALL PLAQUE

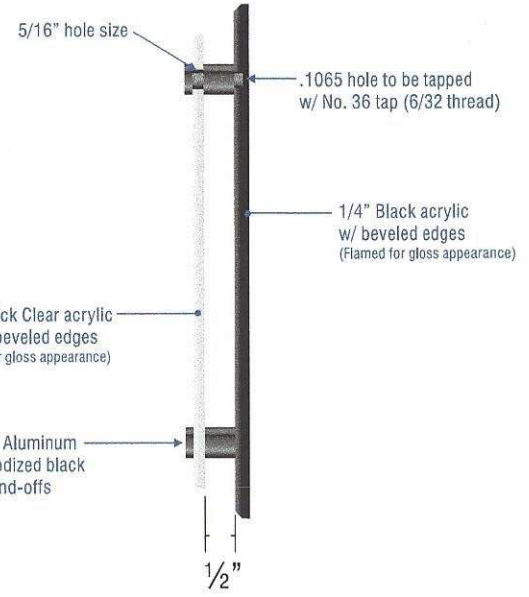
FRONT



HOLE DETAIL



Avery Silver vinyl (A5701-M) applied 2nd surface to acrylic panel



SIDE VIEW

PLAQUE SHOULD BE DISPLAYED BEHIND CASH POD

TYPESTYLE: Arrus Black

NOTE:
No dealer name abbreviations will be permitted; Full business name must be used in all cases



www.mcsign.com

CLIENT: T-Mobile	TICKET NO.: 389770	DATE: 01/25/16	REVISION HISTORY:
PROJECT MANAGER: JASON BOONE	DESIGNER: JR		
ADDRESS: MARGINAL WAY & FOREST AVE 45 MARGINAL WAY, SUITE 3 PORTLAND, ME 04101	PAGE NO.: 5		
ELECTRONIC FILE NAME: TMO\2016\ME\CUSTOM WIRELESS\PORTLAND - MARGINAL & FOREST			

CLIENT SIGNATURE: _____

APPROVAL DATE: _____

Corporate Office:
8959 Tyler Boulevard
Mentor, Ohio 44060
440-209-6200
800-627-4460

334 Industrial Park Road
Bluefield, Virginia 24605
877-779-9977

NOTE: PRINTS ARE THE EXCLUSIVE PROPERTY OF "MC SIGN COMPANY". ANY UNAUTHORIZED USE OR DUPLICATION WILL RESULT IN A 20% CHARGE PER OCCURRENCE PER THE VALUE OF THE DISPLAY. © MC SIGN CO 1998