



# CHIPOTLE

## Marginal Way

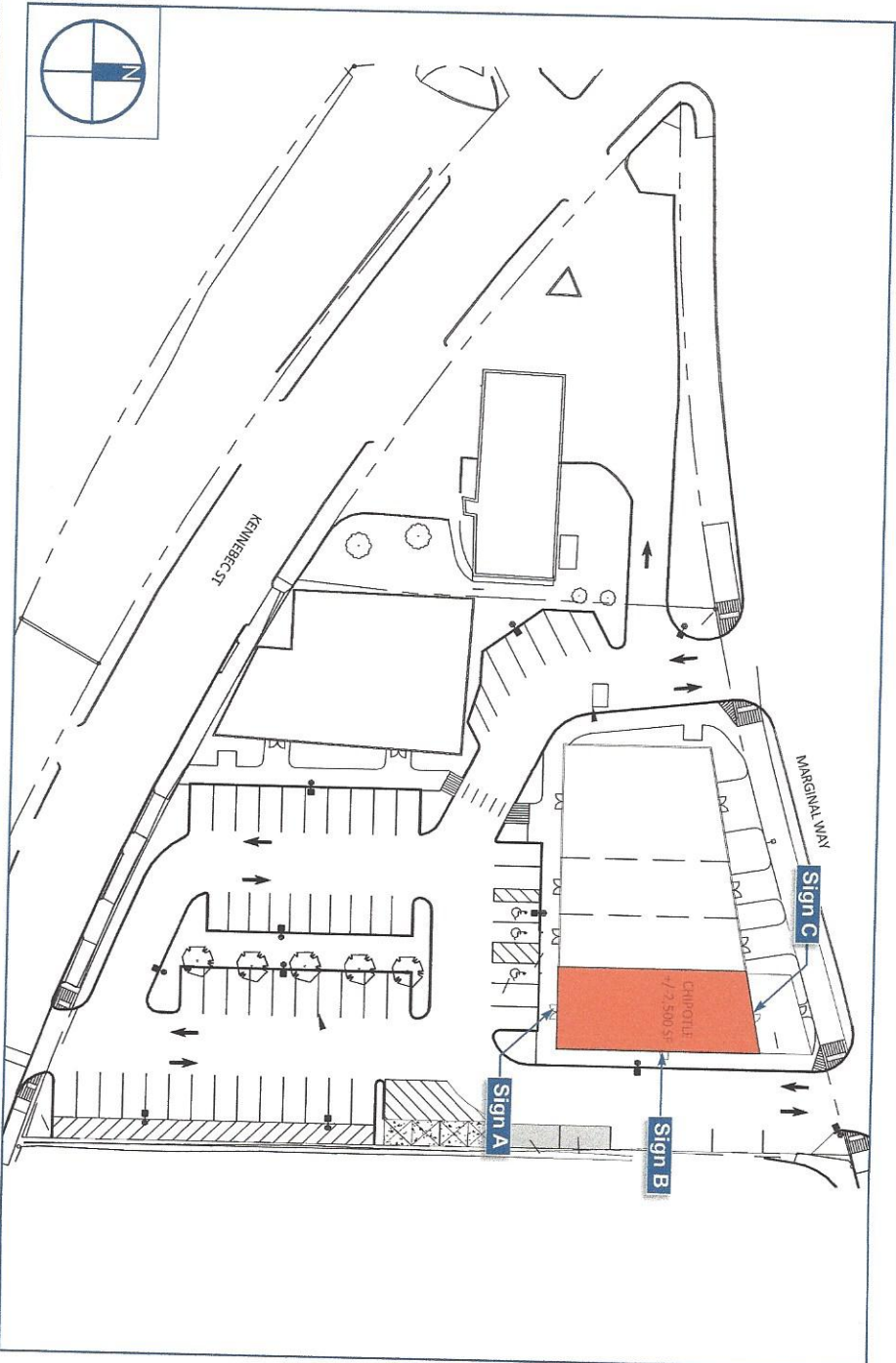
<b>SIGN A</b>	Type: 16" Chipotle
	Type: Channel letters on a backer panel w/frame
	Illumination: Internally Illuminated LED
Square Footage:	37.81
To Grade:	Top of sign to grade = 16'-7 1/2" Bottom of sign to grade = 14'-0 3/4"

<b>SIGN B</b>	Type: 30" Chipotle
	Type: D/F Wall Sign w/ Push-through copy
	Illumination: Internally Illuminated LED (Face Only)
Square Footage:	4.91 (6.25 Boxes)
To Grade:	Top of sign to grade = TBD Bottom of sign to grade = TBD

<b>SIGN C</b>	Type: 16" Chipotle
	Type: Channel letters on a backer panel w/frame
	Illumination: Internally Illuminated LED
Square Footage:	37.81
To Grade:	Top of sign to grade = 16'-7 1/2" Bottom of sign to grade = 14'-0 3/4"

<b>SIGN D</b>	Type: Chipotle
	Type: Replacement panel - 3/16" white lexan w/ applied vinyl
Actual Size:	10" x 24"
Viewable Size:	TBD
Square Footage:	1.67

<b>SIGN E</b>	Type: Chipotle
	Type: Replacement panel - 3/16" white lexan w/ applied vinyl
Actual Size:	10" x 24"
Viewable Size:	TBD
Square Footage:	1.67



Client: Chipotle  
 Site #: CL-13-2603  
 Address: 195 Kennebec Street  
 Portland, ME 04101  
 Marginal Way

### REVISION INFO

08/24/2015	Original Renderings
09/25/2015	Revised Elevations, Signage & Added MT Panels
09/01/2015	Revised MT Panels
10/09/2015	add Sign E second MT sign identical of Sign D

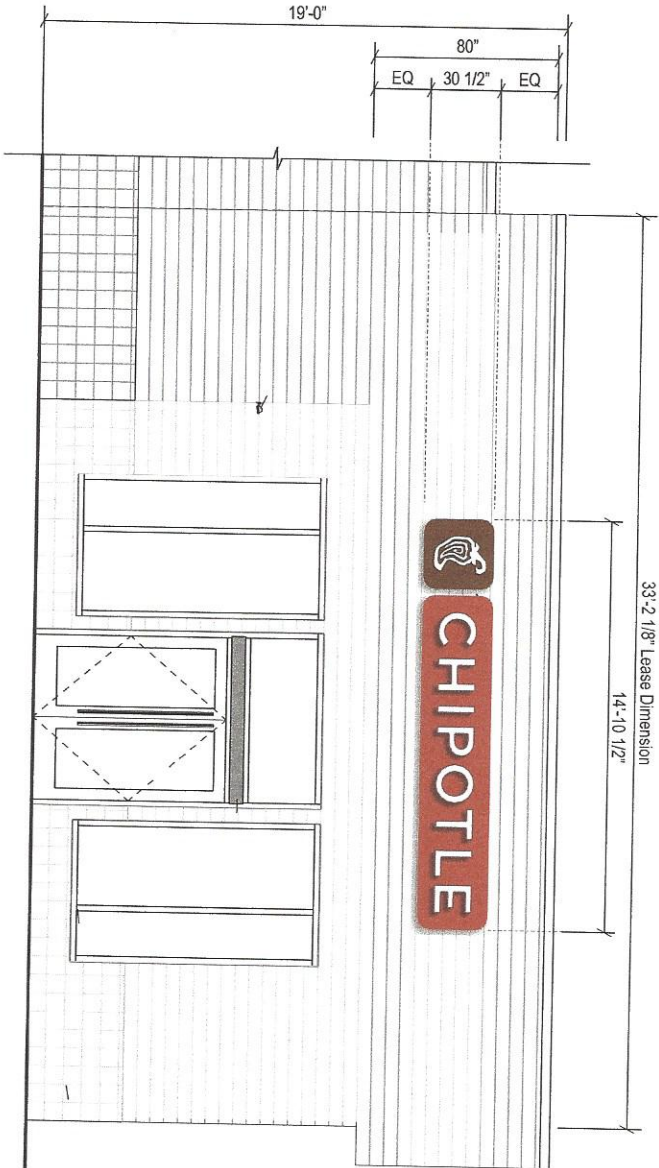
SD This rendering is the property of Anchor Sign, Inc. It is for the exclusive use of the client and the party which requested the rendering. It is an informational rendering and is not to be distributed, reproduced, or used without the consent of Anchor Sign, Inc. Please contact your account manager with questions regarding this statement.

Anchor Sign  
 1.800.213.3331



# CHIPOTLE

<b>SIGN A</b>	16" Chipotle
Type:	Channel letters on a backer panel w/frame
Illumination:	Internally Illuminated LED
Square Footage:	37.81
To Grade:	Top of sign to grade = 16'-7 1/2"
	Bottom of sign to grade = 14'-0 3/4"



**Front Elevation (South)**  
Scale: 3/16" = 1'

Allowable Square Footage this Elevation:	TBD
Formula:	
Actual Square Footage this Elevation:	37.81



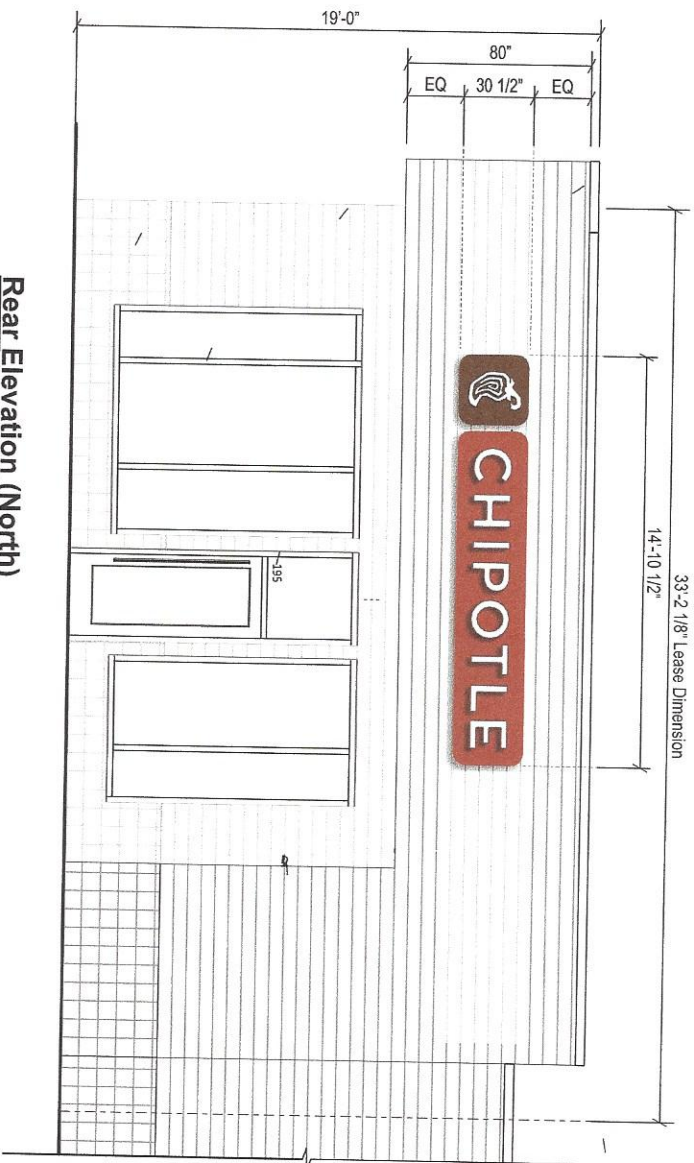
Client: Chipotle  
Site #: CL-18-2603  
Address: 195 Kennebec Street  
Portland, ME 04101  
Marginal Way

REVISION INFO	
08/24/2015	Original Renderings
09/25/2015	Revised Elevations, Signage & Added MT Panels
09/21/2015	Revised MT Panels
10/09/2015	add Sign E second MT sign identical of Sign D

SD The rendering is the property of Anchor Sign, Inc. It is for the exclusive use of Anchor Sign, Inc. and the party which requested the rendering. It is an undistributed, reproduced or exhibited without the consent of Anchor Sign, Inc. Please contact your account manager with questions regarding this statement.



<b>SIGN C</b>	16" Chipotle
Type:	Channel letters on a backer panel w/frame
Illumination:	Internally Illuminated LED
Square Footage:	37.81
To Grade:	Top of sign to grade = 16'-7 1/2"
	Bottom of sign to grade = 14'-0 3/4"



**Rear Elevation (North)**  
Scale: 3/16" = 1'

Allowable Square Footage this Elevation:	TBD
Formula:	
Actual Square Footage this Elevation:	37.81

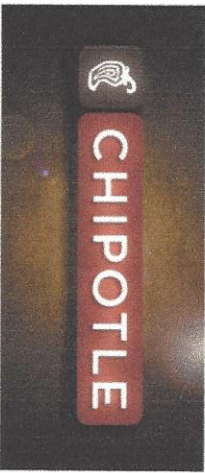
	Client: Chipotle
<b>CHIPOTLE</b>	Site #: CL-18-2603
	Address: 195 Kennebec Street
	Portland ME 04101
	Marginal Way

REVISION INFO	
08/24/2015	Original Renderings
09/25/2015	Revised Elevations, Signage & Added MT Panels
09/01/2015	Revised MT Panels
10/09/2015	add Sign E second MT sign identical of Sign D

SD	This rendering is the property of Anchor Sign, Inc. It is for the exclusive use of Anchor Sign, Inc. and the party which requested the rendering. It is an unlicensed, reproduced or exhibited without the consent of Anchor Sign, Inc. Please contact your account manager with questions regarding this statement.
SD	
SD	
SB	

1.800.213.3331

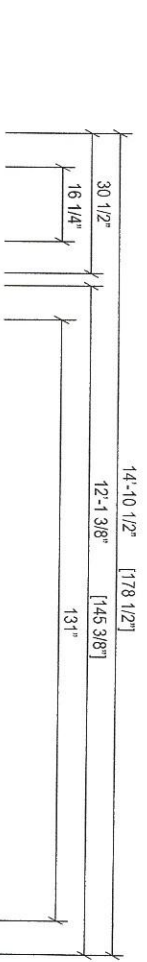
<b>SIGN A</b>	16" Chipotle
Type:	Channel letters on a backer panel w/frame
Illumination:	Internally Illuminated LED
Square Footage:	37.81
To Grade:	Top of sign to grade = 16'-7 1/2" Bottom of sign to grade = 14'-0 3/4"



<b>Electrical Detail:</b>
White LEDs
(2) GEPS12-60 60w Transformer
Total Amps: 1.7
(1) 20 amp 120V Circuit Req.

<b>General Notes:</b>
This sign is to be installed in accordance with the requirements of Article 600 of the National Electrical Code.
1) Grounded and bonded per NEC 600.7/NEC 250
2) Existing branch circuit in compliance with NEC 600.5, not to exceed 20 amps
3) Sign is to be UL listed per NEC 600.3
4) UL disconnect: switch per NEC 600.6- required per sign component before leaving manufacturer*
*For multiple signs, a disconnect is permitted but not required for each section

	<b>CHIPOTLE</b>
Client: Chipotle	Site #: CL-18-2603
Address: 195 Kennebec Street	Portland, ME 04101
Marginal Way	



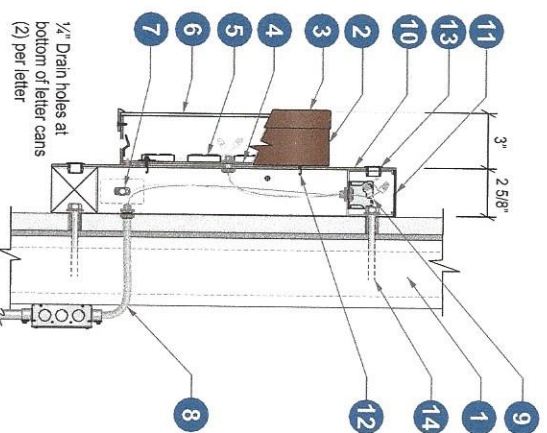
**SIGN TYPE B-3**

**Sign Layout Detail**

Scale: 3/8" = 1'-0"

<b>Specifications:</b>
1. Existing Facade: To be determined
2. 0.040" Aluminum returns painted to match PMS 4625 C Adobo Brown.
3. 1" Brown trim cap
4. 3mm Signabond Lite composite backs (interior of sign can painted ultra white for maximum illumination).
5. White LEDs
6. 3/16" #2447 White Acrylic (Letters) / 1" Clear acrylic w/ recessed graphics for logo
7. Disconnect switch UL Outdoor rated toggle type w neoprene boot per NEC 600-6
8. Primary electrical feed in UL conduit / customer supplied UL Junction box
9. LED Power Supplies
10. 1/8" Aluminum face attached to frame with high bond adhesive and painted to match: PMS 4625 C Adobo Brown (Pepper) and PMS 484 C Roasted Red (Letters)- 1/8" Aluminum ends/corners welded to face and painted to match coordinating face color
11. 2 1/2" x 2 1/2" Aluminum tubing frame (top to have rectangular holes out for service access w/ .090" aluminum lid & gasket) exposed surfaces painted to match: PMS 4625 C Adobo Brown (Pepper) and PMS 484 C Roasted Red (Letters)
12. #10 Tek screws w/ fender washers
13. Heyco cap painted to match coordinating face color
14. Mounting hardware to suit

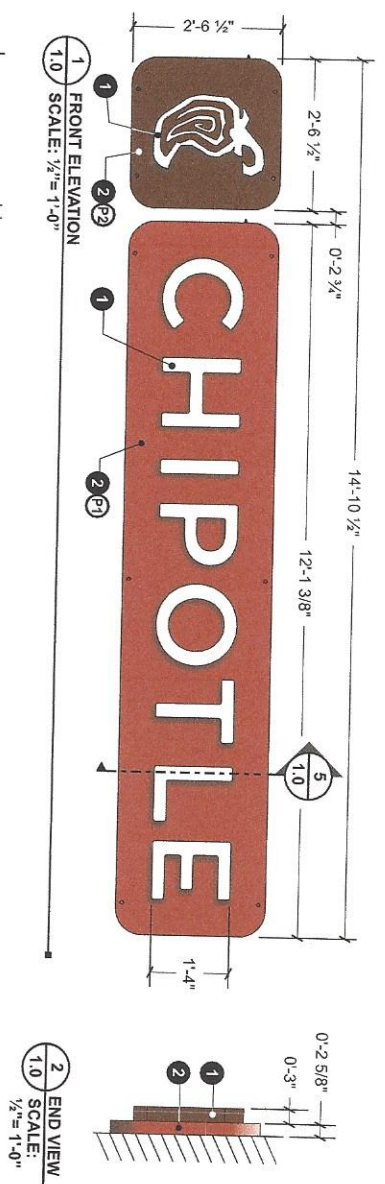
<b>REVISION INFO</b>	
08/24/2015	Original Renderings
08/25/2015	Revised Elevations: Signage & Added MT Panels
09/01/2015	Revised MT Panels
10/09/2015	add Sign E second MT sign identical of Sign D



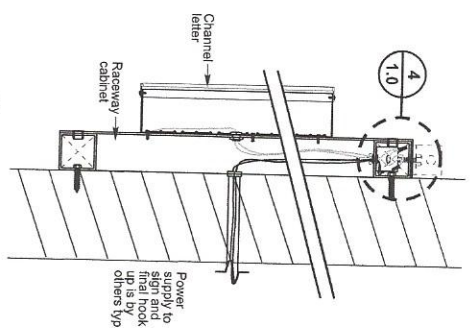
**Section @ Pepper/ Chipotle Backer frame**

Scale: N.T.S.

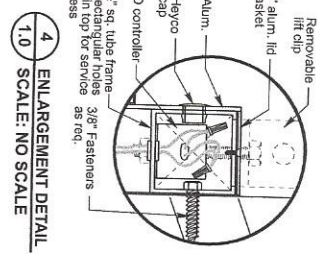
This rendering is the property of Anchor Sign, Inc. and the party which requested the rendering. It is an unpublished original drawing not to be reproduced or transmitted in any form without the consent of Anchor Sign, Inc. Please contact your account manager with questions regarding this statement.



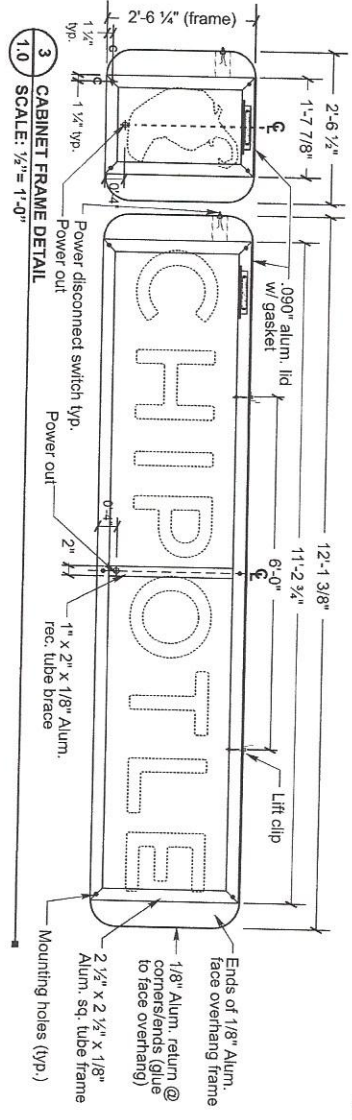
**2 END VIEW**  
SCALE: 1/2" = 1'-0"



**5 END SECTION**  
SCALE: 1 1/2" = 1'-0"



**4 ENLARGEMENT DETAIL**  
SCALE: NO SCALE



**3 CABINET FRAME DETAIL**  
SCALE: 1/2" = 1'-0"

**STANDARD B-3 SPECIFICATIONS FOR (1) ILLUMINATED CHANNEL LETTER SIGN (38 SQ. FT.)**

**1 CHANNEL LETTERS "CHIPOTLE" & PEPPER LOGO**

LETTER TYPE= Face-Lit pan channel letters  
DEPTH= 3"  
FACES= Pepper Logos= 1" Clear acrylic w/ recessed graphics  
All others= 3/16" Cyro #2447 Milk-White acrylic  
TRIMCAP= 1" Brown Jewelrite  
BACKS= .040" Pre-finished white aluminum  
RETURNS= .040" Pre-finished Adobo Brown aluminum (w/ weep holes)  
ILLUMINATION= GE Tetra miniMAX white LEDs  
MOUNTING= Mount to face of raceway with #10 Tak screws as req.

**2 "CHIPOTLE" & PEPPER LOGO RACEWAY CABINETS**

FACE= 1/8" Aluminum- Attachment to frame via Versalok adhesive  
Note: faces overhang ends of frame typ.  
RETURNS= @ ends/corners- 1/8" Alum. spot weld and Versalok to face  
"CHIPOTLE" & PEPPER LOGO RACEWAY CABINETS (Continued)  
BACK= .040" Alum.- Rivet or screw to back of frame as req.  
FRAME= 2 1/2" x 1/8" Aluminum sq. tube w/ 1" x 2" x 1/8" alum. brace  
LIFT CLIPS= 1/4" Steel plate w/ welded 3/8" nut glued to inside of frame.  
Attach 1/4" steel angle lift clips to top of cab. w/ 3/8" bolts  
MOUNTING= Mount to existing fascia w/ 3/8" lag bolts through face/ frame  
(Heyco plugs required in cabinet face)  
ACCESS= Flush .090" alum. lid & gasket covers top of frame tube cut out

**ELECTRICAL**

PRIMARY= 120V electrical to sign and final hook up is by others (leave 6'-0" pigtail out back of raceway cabinets in 1/2" seal-tite conduit).  
SECONDARY= 12V LED wire leads jumped in raceway. 12V LED transformers mounted in top sq. tube of raceway  
POWER DISCONNECT= Toggle switch on end of raceway cabinet as req.

**COLOR SPECIFICATIONS**

- P1 P.T.M. PMS #484C "Roasted Red" (Nuance)
  - P2 P.T.M. PMS #4625C "Adobo Brown" (Nuance)
- NOTE: Paint all exposed fasteners and Heyco caps to match adjacent finish

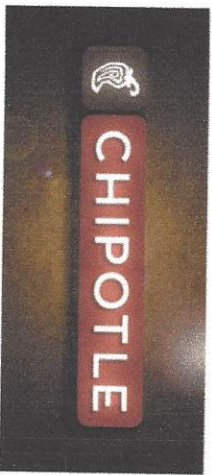
Client: Chipotle  
Site #: CL-18-2803  
Address: 195 Kennebec Street  
Portland, ME 04101  
Marginal Way

REVISION INFO	
08/24/2015	Original Renderings
08/25/2015	Revised Elevations, Signage & Added MT Panels
09/01/2015	Revised MT Panels
10/09/2015	Add Sign E second MT sign identical of Sign D

This rendering is the property of Anchor Sign, Inc. It is for the exclusive use of Anchor Sign, Inc. and the party which commissioned the rendering. It is an unpublished, reproduced or exhibited without the consent of Anchor Sign, Inc. these contact your account manager with questions regarding this statement.

1.800.213.3331

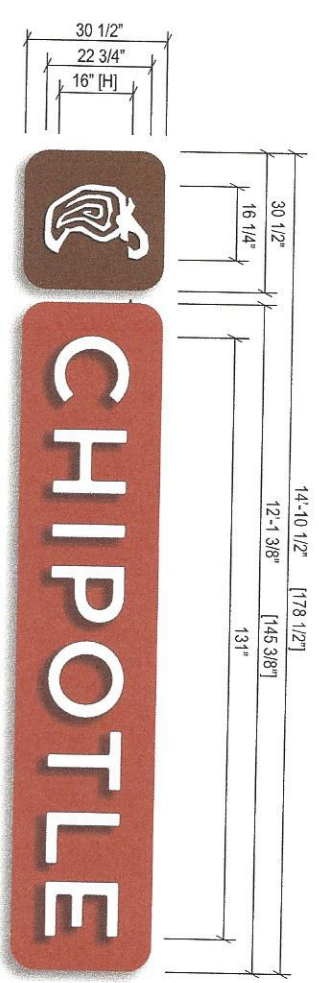
<b>SIGN C</b>	16" Chipotle
Type:	Channel letters on a backer panel w/frame
Illumination:	Internally Illuminated LED
Square Footage:	37.81
To Grade:	Top of sign to grade = 16'-7 1/2" Bottom of sign to grade = 14'-0-3/4"



<b>Electrical Detail:</b>
White LEDs
(2) GEPS12-60 60w Transformer
Total Amps: 1.7
(1) 20 amp 120V Circuit Req.

<b>General Notes:</b>
This sign is to be installed in accordance with the requirements of Article 600 of the National Electrical Code.
1) Grounded and bonded per NEC 600.7/NEC 250
2) Existing branch circuit in compliance with NEC 600.5, not to exceed 20 amps
3) Sign is to be UL listed per NEC 600.3
4) UL disconnect switch per NEC 600.6- required per sign component before leaving manufacturer*
*For multiple signs, a disconnect is permitted but not required for each section

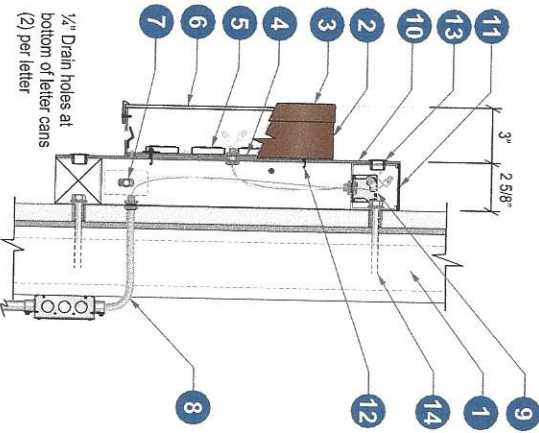
	<b>CHIPOTLE</b>
Client: Chipotle	Site # : CL-18-2603
Address: 195 Kennebec Street	Portland, ME 04101
Marginal Way	



**SIGN TYPE B-3**  
**Sign Layout Detail**  
Scale: 3/8" = 1'-0"

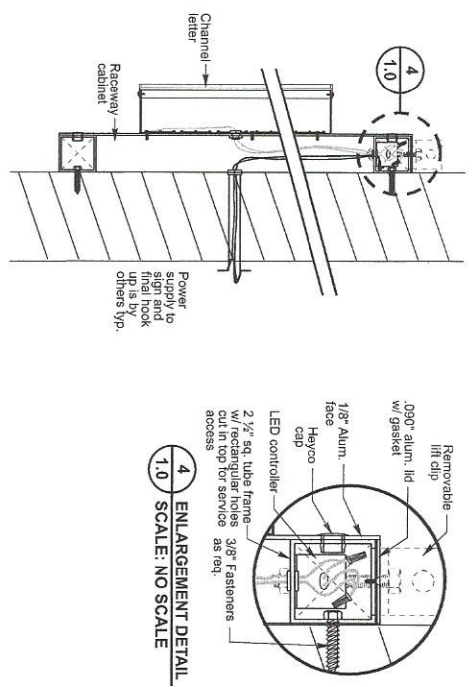
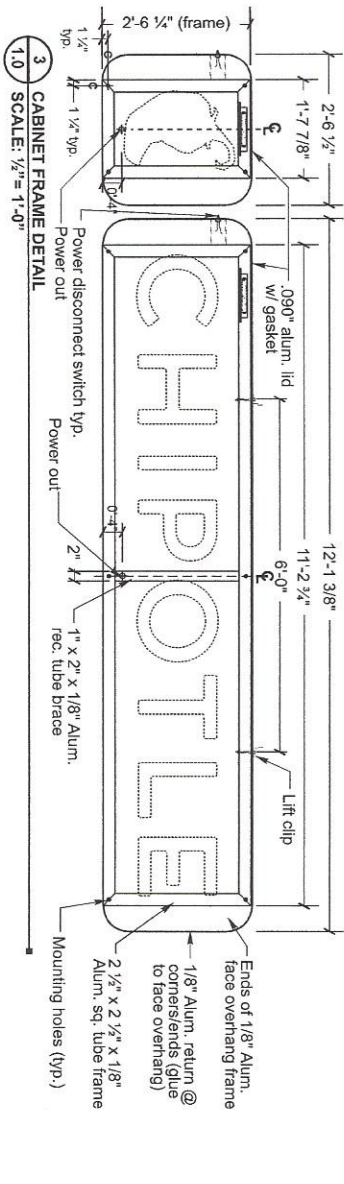
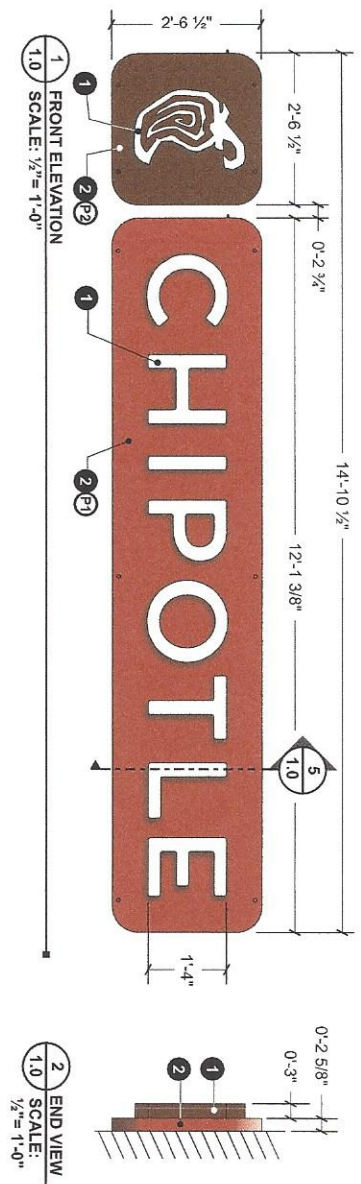
<b>Specifications:</b>
1. Existing Facade: To be determined
2. 0.040" Aluminum returns painted to match PMS 4825 C Adobo Brown.
3. 1" Brown trim cap
4. 3mm Signabond Lite composite backs (interior of sign can painted ultra white for maximum illumination).
5. White LEDs
6. 3/16" #2447 White Acrylic (Letters) / 1" Clear acrylic w/ recessed graphics for logo
7. Disconnected switch UL Outdoor rated toggle type w/ neoprene boot per NEC 600-6
8. Primary electrical feed in UL conduit / customer supplied UL Junction box
9. LED Power Supplies
10. 1/8" Aluminum face attached to frame with high bond adhesive and painted to match: PMS 4825 C Adobo Brown (Pepper) and PMS 484 C Roasted Red (Letters). 1/8" Aluminum ends/corners welded to face and painted to match coordinating face color
11. 2 1/2" x 2 1/2" Aluminum tubing frame (top to have rectangular holes cut for service access w/ .090" aluminum lid & gasket) exposed surfaces painted to match: PMS 4825 C Adobo Brown (Pepper) and PMS 484 C Roasted Red (Letters)
12. #10 Tek screws w/ fender washers
13. Heyco cap painted to match coordinating face color
14. Mounting hardware to suit

<b>REVISION INFO</b>
08/24/2015 Original Renderings
08/25/2015 Revised Elevations, Signage & Added MT Panels
09/01/2015 Revised MT Panels
10/09/2015 add Sign E second MT sign identical to Sign D



**Section @ Pepper/ Chipotle**  
**Backer frame**  
Scale: N.T.S.

SD	This rendering is the property of Anchor Sign, Inc. It is for the exclusive use of the client. No part of this rendering may be reproduced, stored in a retrieval system, or transmitted in any form or by any means, electronic, mechanical, photocopying, recording, or by any information storage and retrieval system, without the prior written permission of Anchor Sign, Inc. Please contact Anchor Sign, Inc. with questions regarding this statement.
SD	
SD	
SB	



**ANCHOR SIGN TYPE B-3 SPECIFICATIONS FOR (1) ILLUMINATED CHANNEL LETTER SIGN (38 SQ. FT.)**

- 1 CHANNEL LETTERS "CHIPOTLE" & PEPPER LOGO**  
 LETTER TYPE= Face-Lit pan channel letters  
 DEPTH= 3"  
 FACES= Pepper Logo= 1" Clear acrylic w/ recessed graphics  
 All others= 3/16" Cyro #2447 Milk-White acrylic  
 TRIMCAP= 1" Brown Jewellee  
 RETURNS= .040" Pre-finished Adobo Brown aluminum (w/ weep holes)  
 ILLUMINATION= GE Tatra miniMAX white LEDs  
 MOUNTING= Mount to face of raceway with #10 Tak screws as req.
- 2 "CHIPOTLE" & PEPPER LOGO RACEWAY CABINETS**  
 FACE= 1/8" Aluminum- Attachment to frame via Versalok adhesive  
 Note: faces overhang ends of frame typ.  
 RETURNS= @ ends/corners- 1/8" Alum. spot weld and Versalok to face  
 "CHIPOTLE" & PEPPER LOGO RACEWAY CABINETS (Continued)  
 BACK= .040" Alum.- Rivet or screw to back of frame as req.  
 FRAME= 2 1/2" x 1/8" Aluminum sq. tube w/ 1" x 2" x 1/8" alum. brace  
 LIFT CLIPS= 1/2" Steel plate w/ welded 3/8" nut glued to inside of frame.  
 Attach 1/2" steel angle lift clips to top of cab. w/ 3/8" bolts  
 MOUNTING= Mount to existing fascia w/ 3/8" lag bolts through face/ frame  
 (Hayco plugs required in cabinet face)  
 ACCESS= Flush .090" alum. lid & gasket covers top of frame tube cut out

**ELECTRICAL**

- PRIMARY=** 120V electrical to sign and final hook up is by others. (leave 6'-0" pigtail out back of raceway cabinets in 1/2" seal-tite conduit).
- SECONDARY=** 12V LED wire leads jumped in raceway, 12V LED transformers mounted in top sq. tube of raceway
- POWER DISCONNECT=** Toggle switch on end of raceway cabinet as req.

**COLOR SPECIFICATIONS**

- F1** P.T.M. PMS #494C "Roasted Red" (Nuanco)
  - F2** P.T.M. PMS #4625C "Adobo Brown" (Nuanco)
- NOTE:** Paint all exposed fasteners and Hayco caps to match adjacent finish

**ANCHOR SIGN**

1.800.213.3331

---

**Client:** Chipotle

**Site #:** CL-18-2803

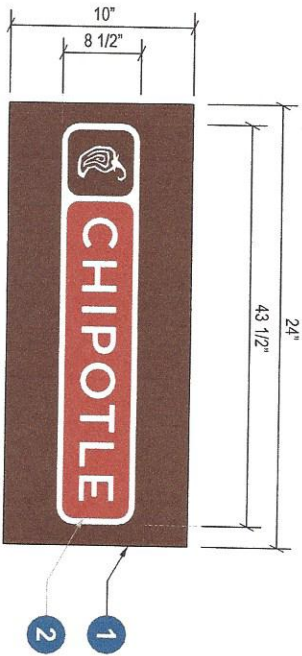
**Address:** 195 Kennebec Street  
Portland, ME 04101  
Marginal Way

**REVISION INFO**

DATE	DESCRIPTION	BY
08/24/2015	Original Rendering	SD
08/25/2015	Revised Elevations, Signage & Added MT Panels	SD
09/01/2015	Revised MT Panels	SD
10/09/2015	add Sign E, second MT sign identical to Sign D	SB

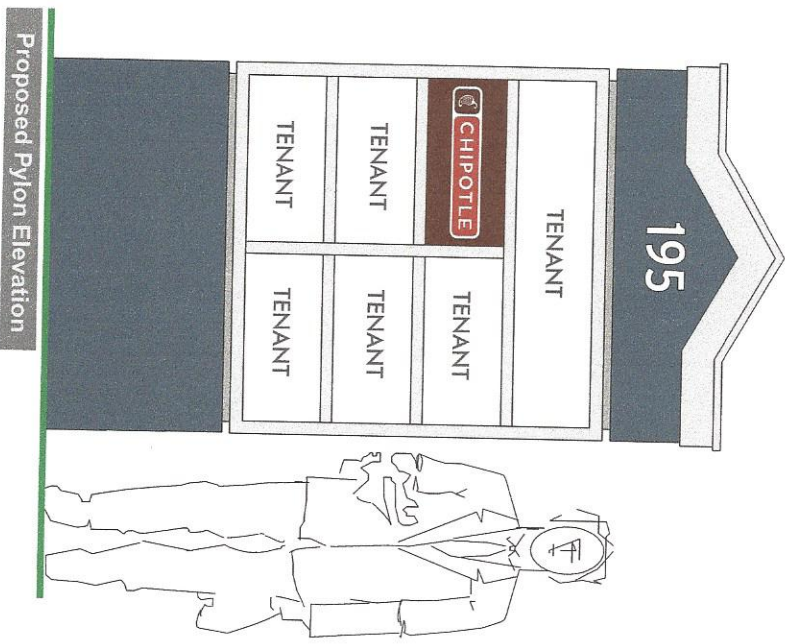
This rendering is the property of Anchor Sign, Inc. and the party which requested the rendering. It is an unpublished original drawing not to be reproduced without the consent of Anchor Sign, Inc. Please contact your account manager with questions regarding this statement.

<b>SIGN D</b>	Chipotle
Type:	Replacement panel - 3/16" white lexan w/ applied vinyl
Actual Size:	10" x 24"
Viewable Size:	TBD
Square Footage:	1.67



**New Replacement Panel - Existing D/F Pylon**  
**QTY 2 (1 SET)**  
 Scale: 3/4" = 1'-0"

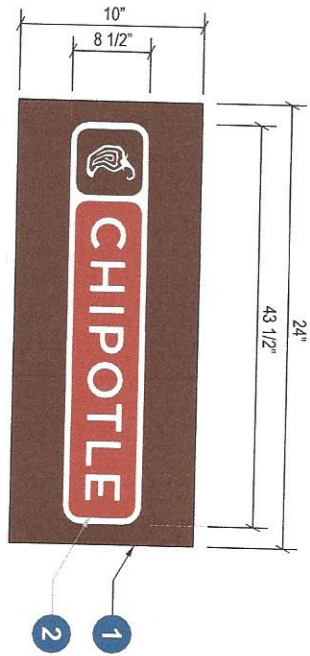
- Specifications:**
1. New 3/16" white lexan
  2. First surface applied vinyl graphics to match  
 PMS 4625 C Adobo Brown (Pepper) and PMS 484 C Roasted Red (Letters)



		Client: Chipotle Site #: CL-18-2603 Address: 195 Kennebec Street Portland, ME 04101 Marginal Way
<b>REVISION INFO</b>		
08/24/2015	Original Renderings	SD
08/25/2015	Revised Elevations, Signage & Added MT Panels	SD
09/01/2015	Revised MT Panels	SD
10/09/2015	add Sign E second MT sign identical of Sign D	SB
<small>This rendering is the property of Anchor Sign, Inc. It is for the exclusive use of the client. No part of this rendering may be reproduced, stored in a retrieval system, or transmitted in any form or by any means, electronic, mechanical, photocopying, recording, or by any information storage and retrieval system, without the prior written permission of Anchor Sign, Inc. Please contact your Anchor Sign, Inc. representative for more information. Please contact your Anchor Sign, Inc. representative with questions regarding this statement.</small>		
		1.800.213.3331

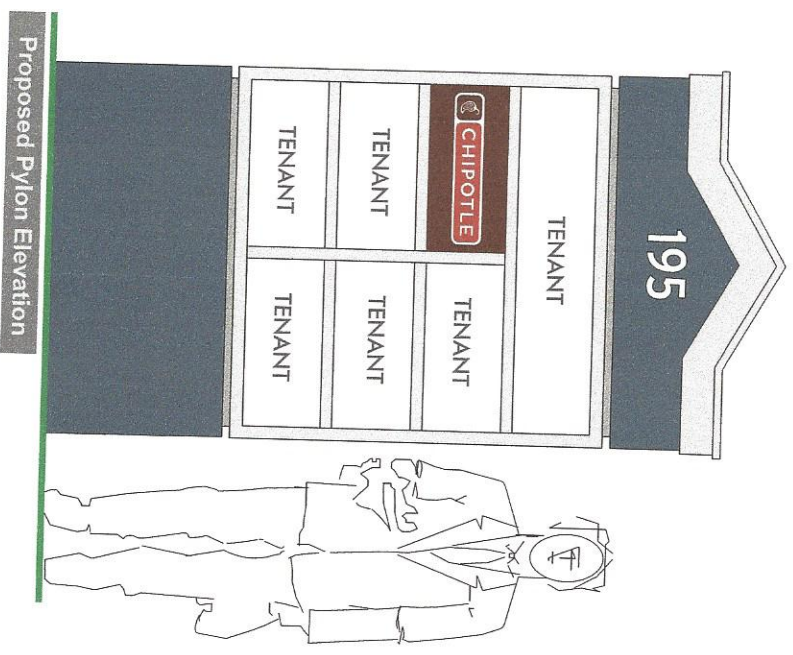


SIGN E	Chipotle
Type:	Replacement panel - 3/16" white lexan w/ applied vinyl
Actual Size:	10" x 24"
Viewable Size:	TBD
Square Footage:	1.67



**New Replacement Panel - Existing D/F Pylon**  
**QTY 2 (1 SET)**  
 Scale: 3/4" = 1'-0"

- Specifications:**
1. New 3/16" white lexan
  2. First surface applied vinyl graphics to match  
 PMS 4625 C Adobo Brown (Pepper) and PMS 484 C Roasted Red (Letters)



Client: Chipotle  
 Site #: CL-18-2603  
 Address: 195 Kennebec Street  
 Portland, ME 04101  
 Marginal Way

**REVISION INFO**

Date	Description	By
08/24/2015	Original Renderings	SD
08/25/2015	Revised Elevations, Signage & Added MT Panels	SD
09/01/2015	Revised MT Panels	SD
10/09/2015	add Sign E second MT sign identical of Sign D	SB

This rendering is the property of Anchor Sign, Inc. It is for the exclusive use of the client. No part of this rendering may be reproduced, stored in a retrieval system, or transmitted in any form or by any means, electronic, mechanical, photocopying, recording, or by any information storage and retrieval system, without the prior written permission of Anchor Sign, Inc. Please contact your Anchor Sign, Inc. representative with questions regarding this statement.

