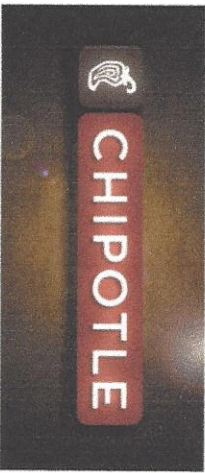


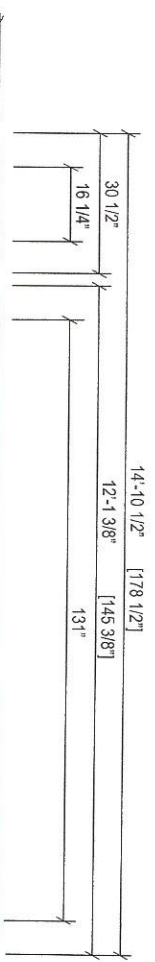
SIGN A	16" Chipotle
Type:	Channel letters on a backer panel w/frame
Illumination:	Internally Illuminated LED
Square Footage:	37.81
To Grade:	Top of sign to grade = 16'-7 1/2" Bottom of sign to grade = 14'-0 3/4"



Electrical Detail:
White LEDs
(2) GEPS12-60 60w Transformer
Total Amps: 1.7
(1) 20 amp 120V Circuit Req.

General Notes:
This sign is to be installed in accordance with the requirements of Article 600 of the National Electrical Code.
1) Grounded and bonded per NEC 600.7/NEC 250
2) Existing branch circuit in compliance with NEC 600.5, not to exceed 20 amps
3) Sign is to be UL listed per NEC 600.3
4) UL disconnect: switch per NEC 600.6- required per sign component before leaving manufacturer*
*For multiple signs, a disconnect is permitted but not required for each section

	CHIPOTLE
Client: Chipotle	Site #: CL-18-2603
Address: 195 Kennebec Street	Portland, ME 04101
Marginal Way	

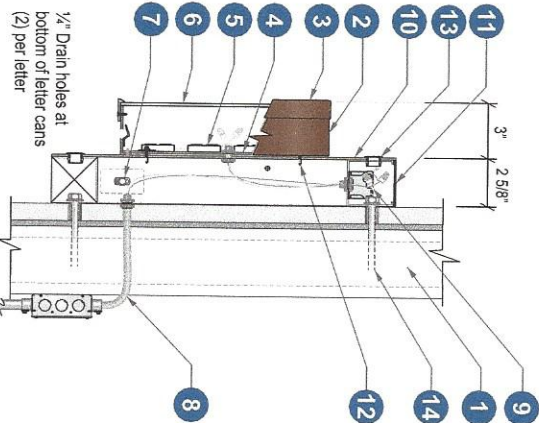


SIGN TYPE B-3

Sign Layout Detail
Scale: 3/8" = 1'-0"

Specifications:
1. Existing Facade: To be determined
2. 0.040" Aluminum returns painted to match PMS 4625 C Adobo Brown.
3. 1" Brown trim cap
4. 3mm Signabond Lite composite backs (interior of sign can painted ultra white for maximum illumination).
5. White LEDs
6. 3/16" #2447 White Acrylic (Letters) / 1" Clear acrylic w/ recessed graphics for logo
7. Disconnect switch UL Outdoor rated toggle type w neoprene boot per NEC 600-6
8. Primary electrical feed in UL conduit / customer supplied UL Junction box
9. LED Power Supplies
10. 1/8" Aluminum face attached to frame with high bond adhesive and painted to match: PMS 4625 C Adobo Brown (Pepper) and PMS 484 C Roasted Red (Letters)- 1/8" Aluminum end/corners welded to face and painted to match coordinating face color
11. 2 1/2" x 2 1/2" Aluminum tubing frame (top to have rectangular holes out for service access w/ .090" aluminum lid & gasket) exposed surfaces painted to match: PMS 4625 C Adobo Brown (Pepper) and PMS 484 C Roasted Red (Letters)
12. #10 Tek screws w/ fender washers
13. Heyco cap painted to match coordinating face color
14. Mounting hardware to suit

REVISION INFO	
08/24/2015	Original Renderings
08/25/2015	Revised Elevations: Signage & Added MT Panels
09/01/2015	Revised MT Panels
10/09/2015	add Sign E second MT sign identical of Sign D



Section @ Pepper/ Chipotle Backer frame
Scale: N.T.S.

SD	This rendering is the property of Anchor Sign, Inc. and the party which requested the rendering. It is an unpublished original drawing not to be reproduced or transmitted in any form without the consent of Anchor Sign, Inc. Please contact your account manager with questions regarding this statement.
SD	
SD	
SB	