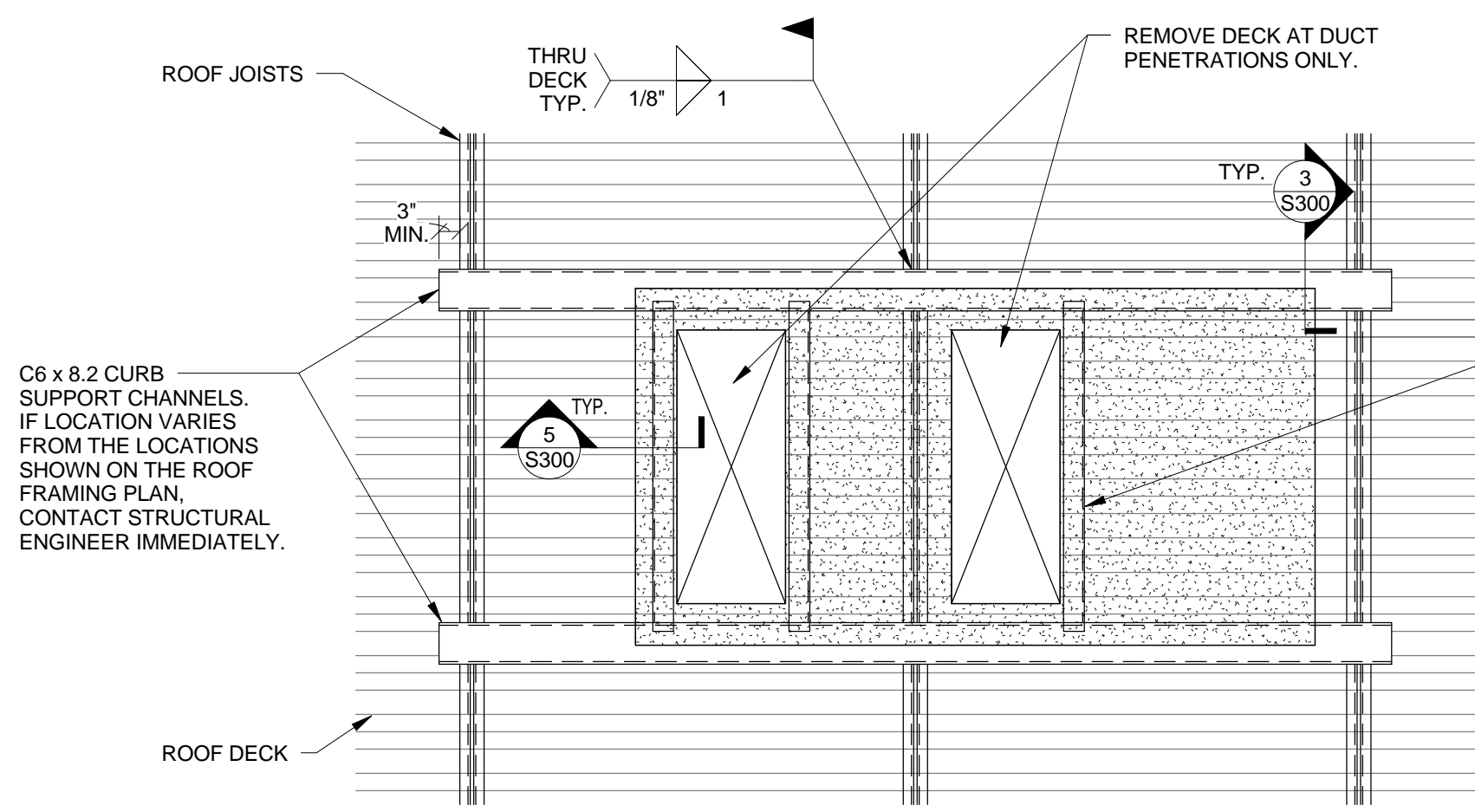
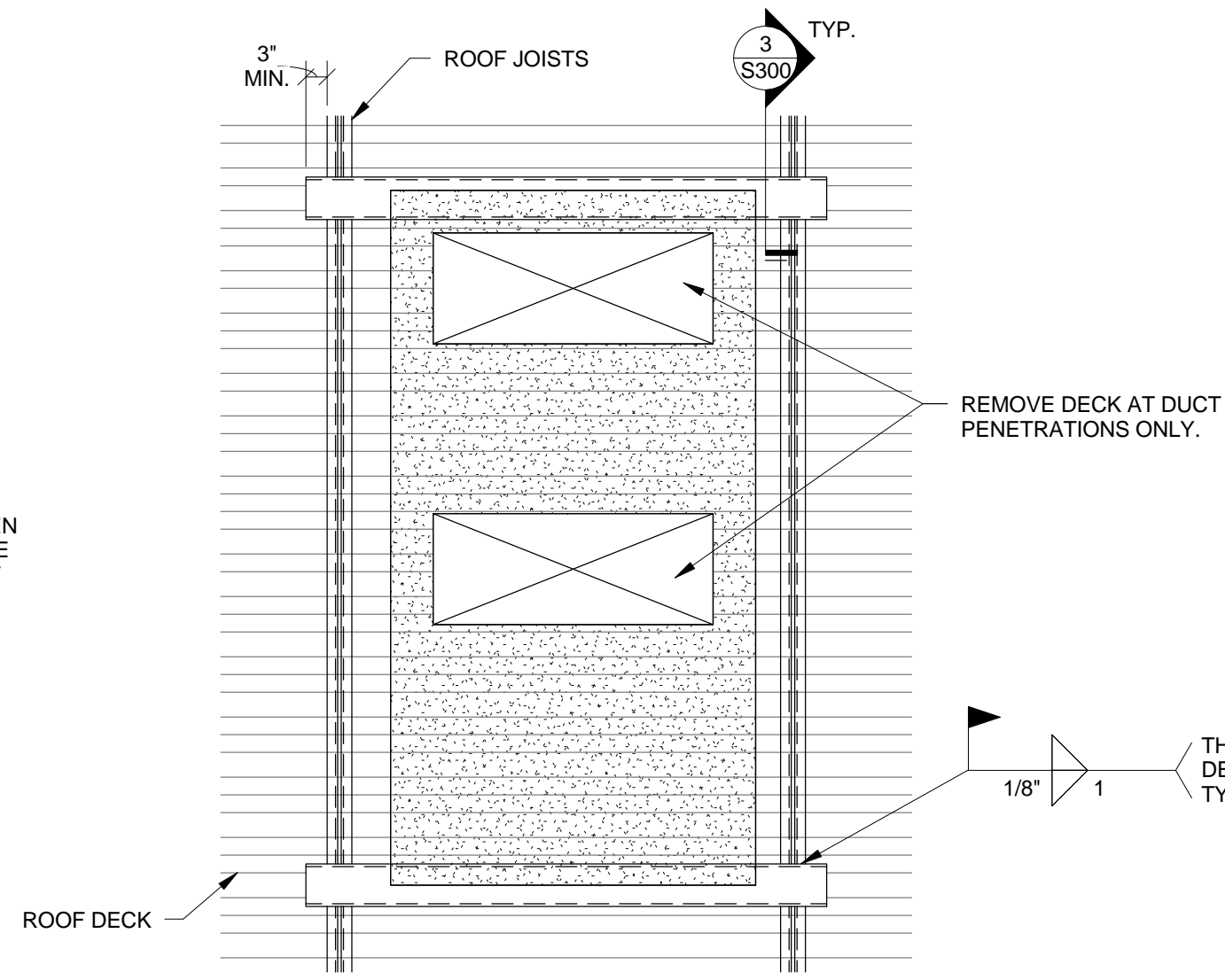


- ROOF TOP UNIT SUPPORT NOTES:**
1. INSTALL C6x8.2s OVER DECK.
 2. POSITION CURB OVER CHANNELS AND LOCATE REQUIRED DUCT PENETRATIONS THRU ROOF. REFERENCE MECHANICAL DRAWINGS FOR EXACT SIZES..
 3. REMOVE DECK AT DUCT PENETRATION LOCATIONS AS REQUIRED. FIELD WELD NEW DECK SUPPORT ANGLES BETWEEN CHANNELS. DECK SUPPORT ANGLE MAY BE OMITTED IF EDGE OF PENETRATION IS WITHIN 6" OF AN EDGE OF JOIST.
 4. SCREW EXISTING DECK EDGE TO DECK SUPPORT ANGLES AS SHOWN.



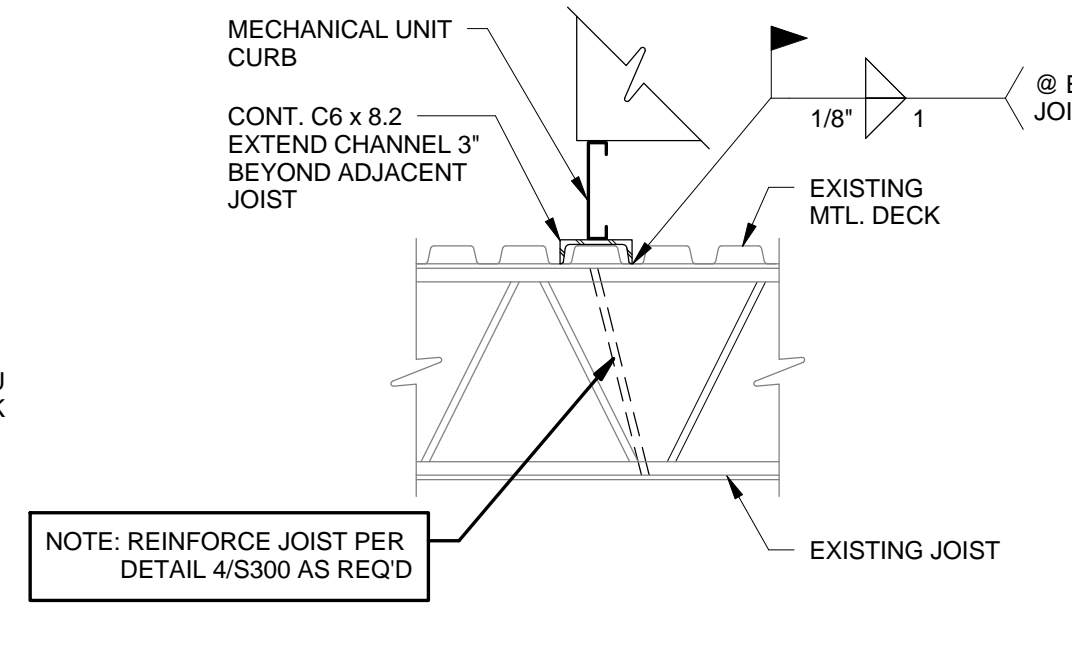
LONG DIMENSION OF UNIT PERPENDICULAR TO JOISTS

RTU FRAMING PLAN 1
1/2" = 1'-0"

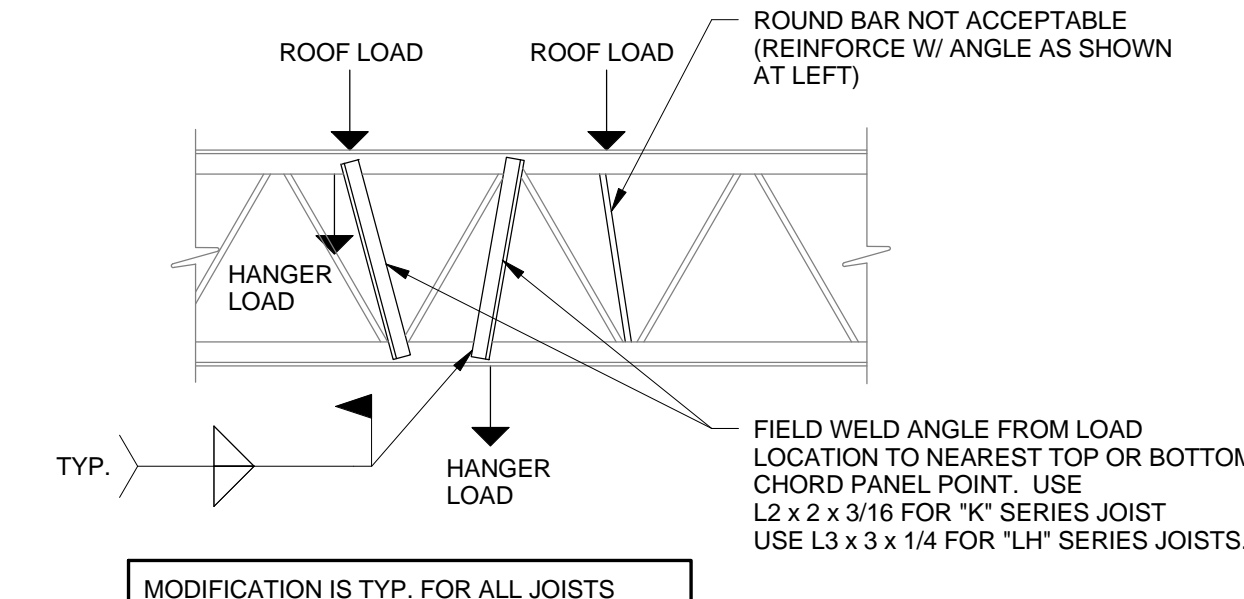


LONG DIMENSION OF UNIT PARALLEL TO JOISTS

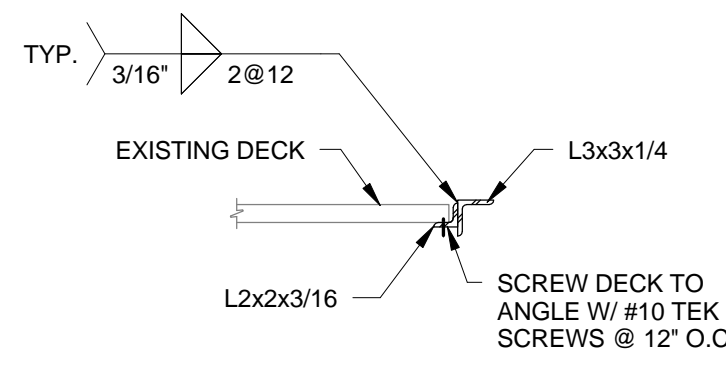
RTU FRAMING PLAN 2
1/2" = 1'-0"



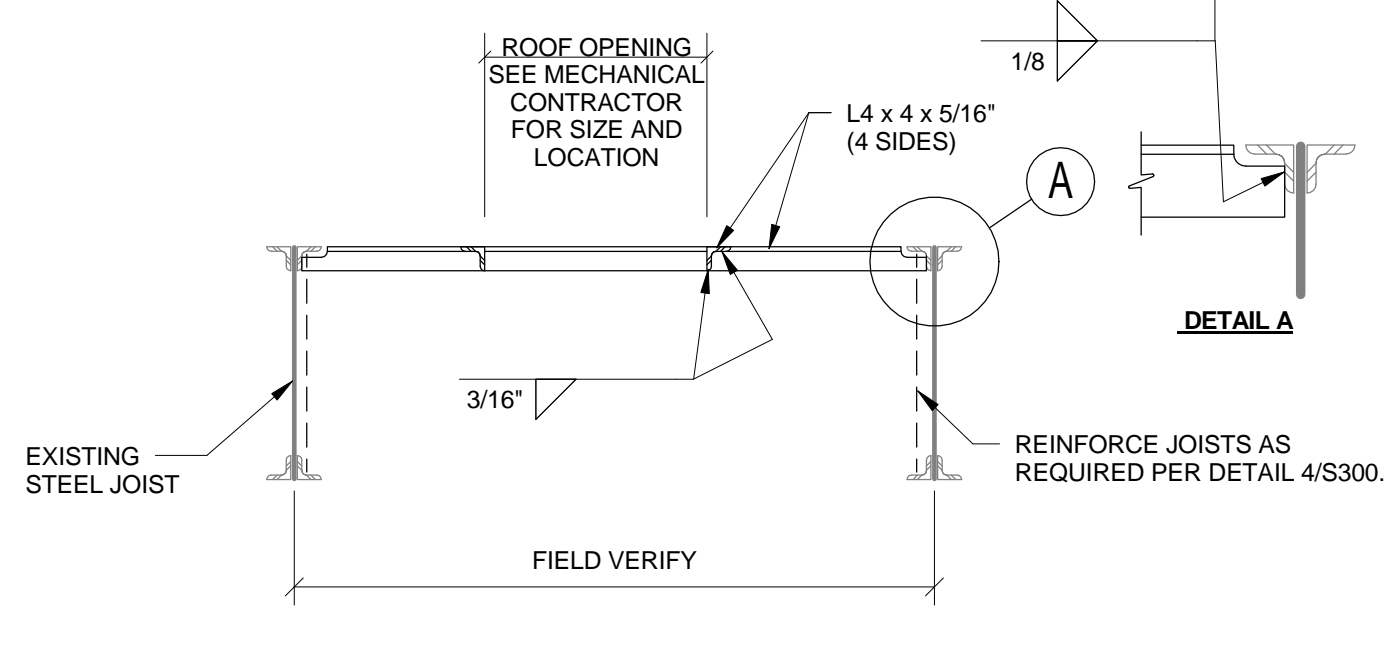
SECTION 3
3/4" = 1'-0"



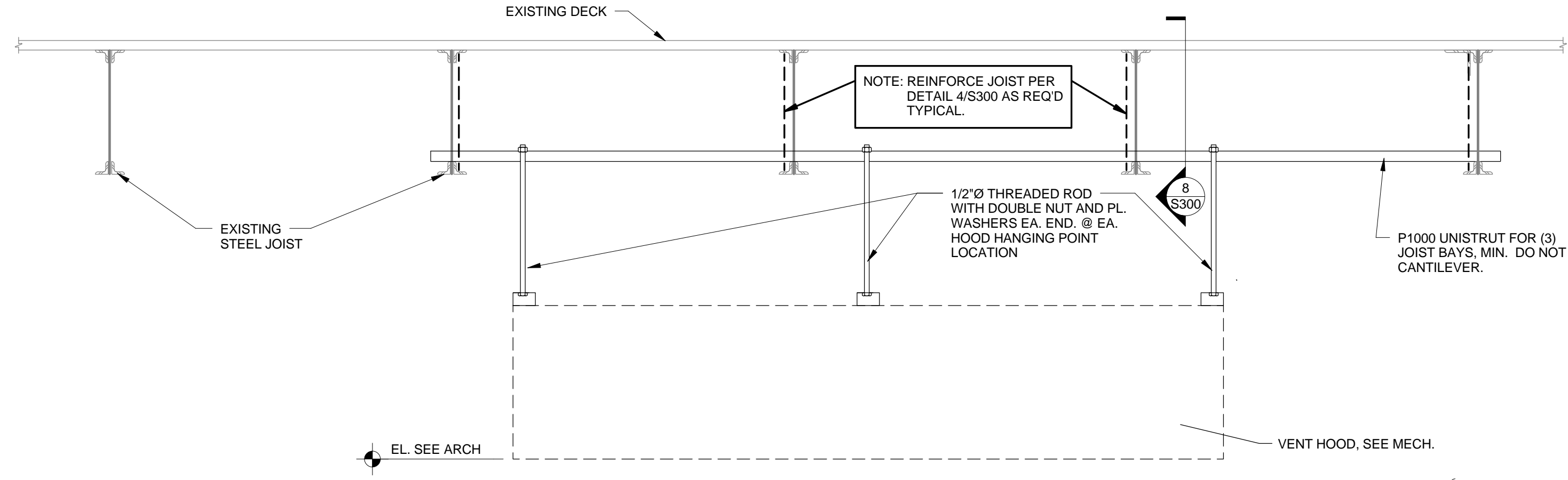
JOIST REINF. DETAIL 4
3/4" = 1'-0"



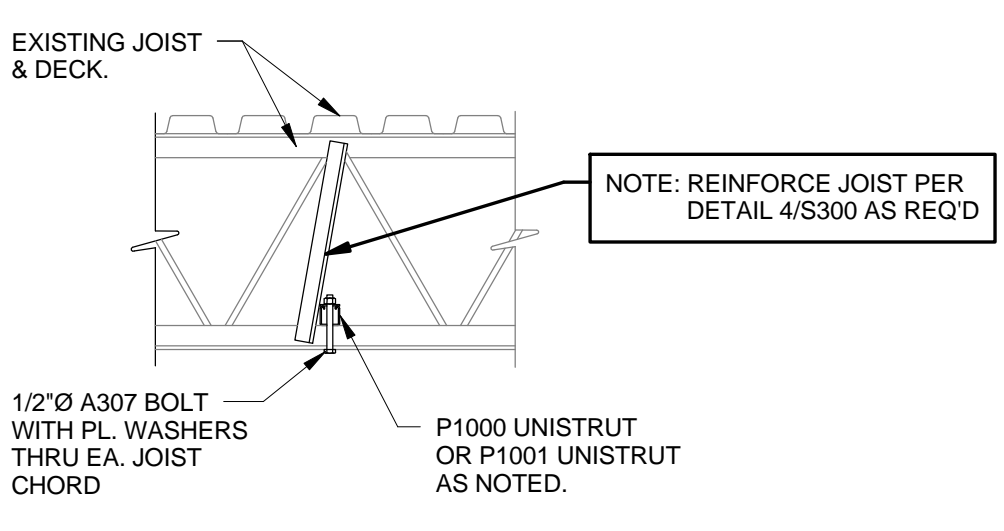
SECTION 5
3/4" = 1'-0"



SECTION 6
3/4" = 1'-0"

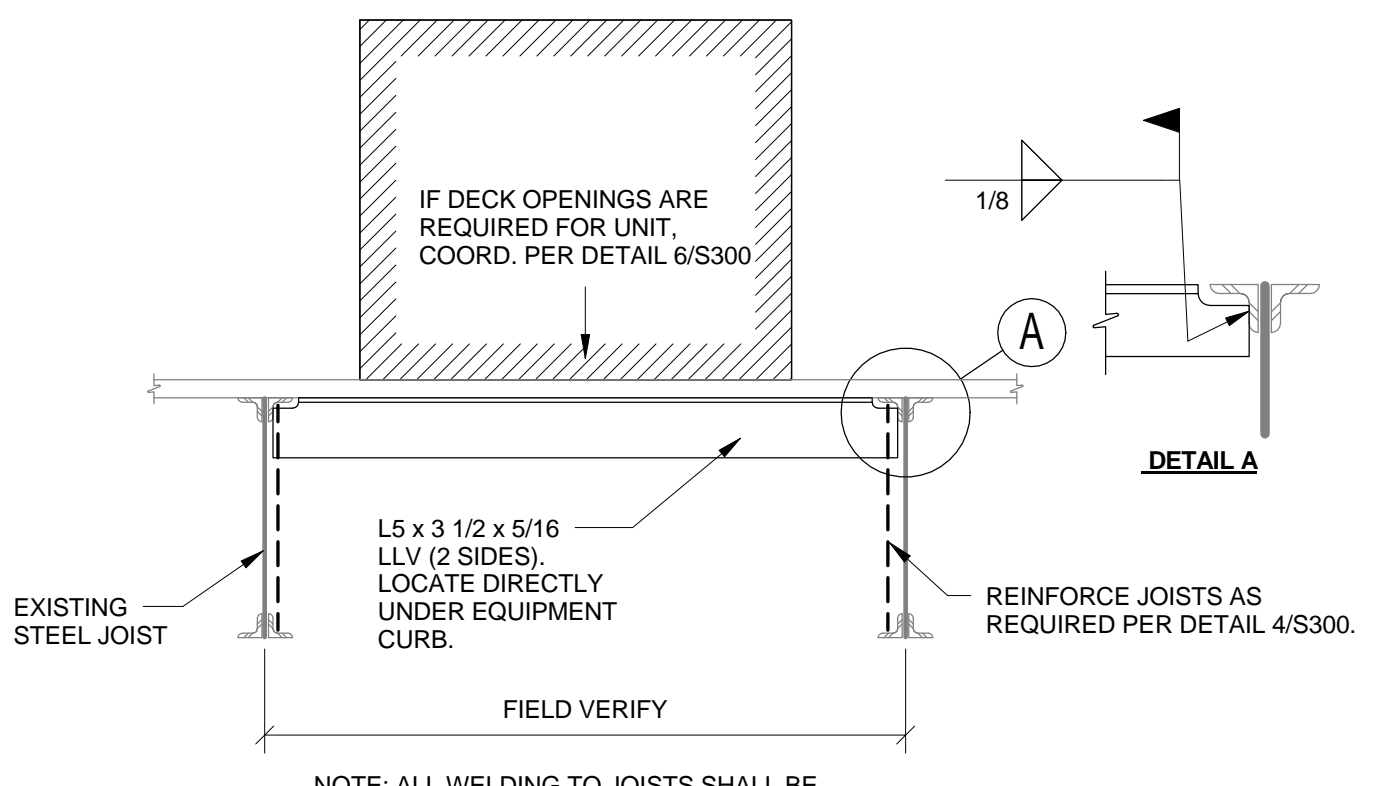


VENT HOOD SECTION 7
3/4" = 1'-0"



SECTION 8
3/4" = 1'-0"

NOT USED 9
3/4" = 1'-0"



SECTION 10
3/4" = 1'-0"

Consultant:
r e d
architecture + planning
855 GRANDVIEW AVENUE SUITE 295
COLUMBUS, OHIO 43215
PHONE: 614.487.8770
FAX: 614.487.8777



COPYRIGHT 2015
THIS DRAWING IS AN INSTRUMENT OF SERVICE AND AS SUCH REMAINS THE PROPERTY OF CHIPOTLE MEXICAN GRILL, INC. PERMISSION FOR USE OF THIS DOCUMENT IS LIMITED AND CAN BE EXTENDED ONLY BY WRITTEN AGREEMENT WITH CHIPOTLE MEXICAN GRILL, INC.



CHIPOTLE MEXICAN GRILL, INC.
1400 WYNDROP STREET, SUITE 500
DENVER, COLORADO 80202
TELEPHONE: (303) 595-4000
FAX: (303) 595-4014
INTERNET: WWW.CHIPOTLE.COM

STORE NO.: 2603
PORTLAND MARGINAL WAY
195 KENNEBEC ST.
PORTLAND, ME 04101

Issue Record:

09/15/15	PERMIT/LANDLORD REVIEW

Revisions:

Drawn: CMS
Checked: ASH
Project No: 15.34.125
Contents:

ROOF FRAMING DETAILS

S300

Date of Last Print: 9/15/15