



COPYRIGHT 2015 THIS DRAWING IS AN INSTRUMENT OF SERVICE AND AS SUCH REMAINS THE PROPERTY OF CHIPOTLE MEXICAN GRILL, INC. PERMISSION FOR USE OF THIS DOCUMENT IS LIMITED AND CAN BE EXTENDED ONLY BY WRITTEN AGREEMENT WITH CHIPOTLE MEXICAN GRILL, INC.



CHIPOTLE MEXICAN GRILL, INC. 1401 WYNNWOOD STREET, SUITE 500 DENVER, COLORADO 80202 TELEPHONE: (303) 595-4000 FAX: (303) 595-4014 INTERNET: WWW.CHIPOTLE.COM

STORE NO.: 2603 PORTLAND MARGINAL WAY 195 KENNEBEC ST PORTLAND, ME 04101

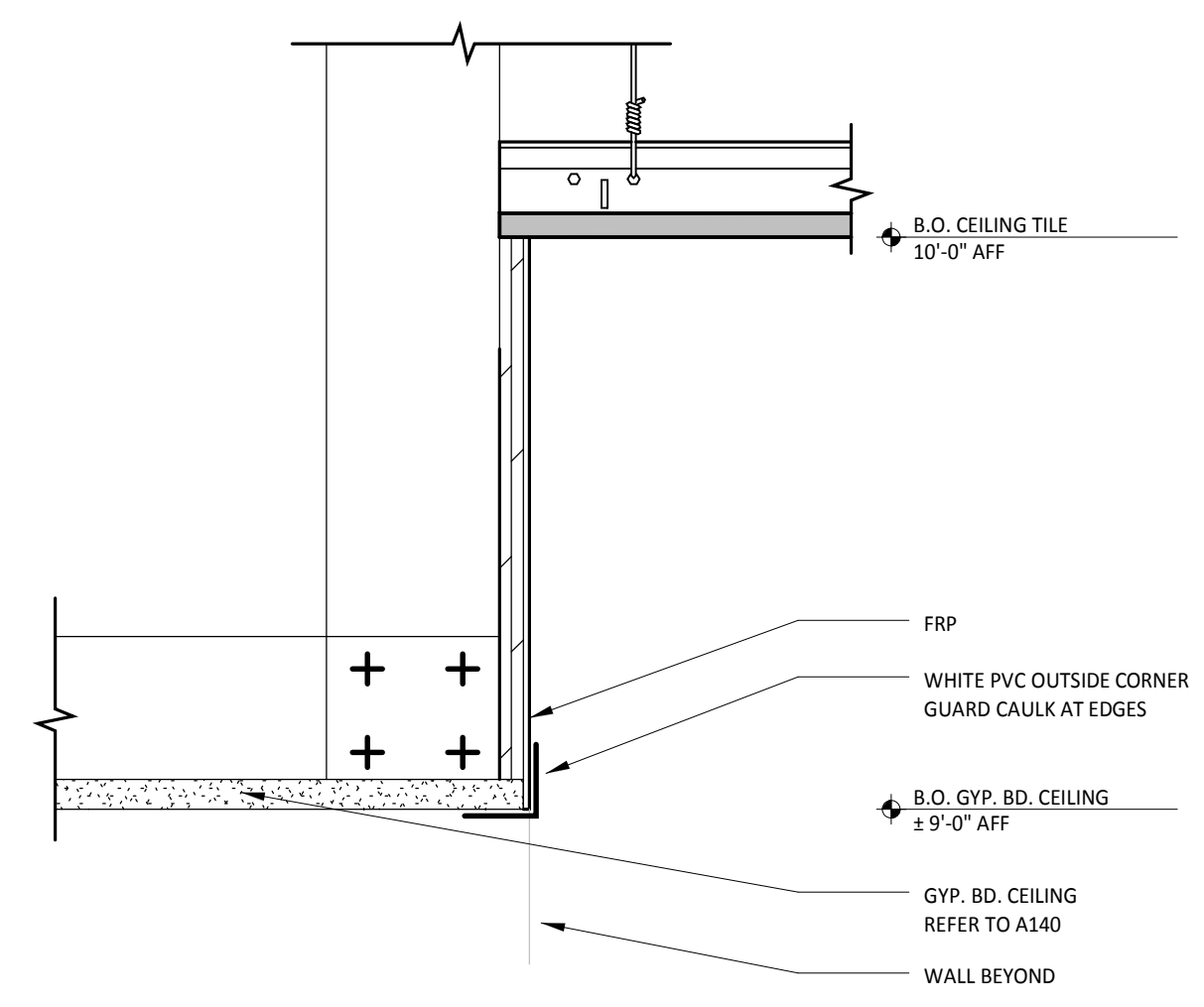
Issue Record: 09/15/15 PERMIT/LANDLORD REVIEW

Revisions table with columns for description, date, and author.

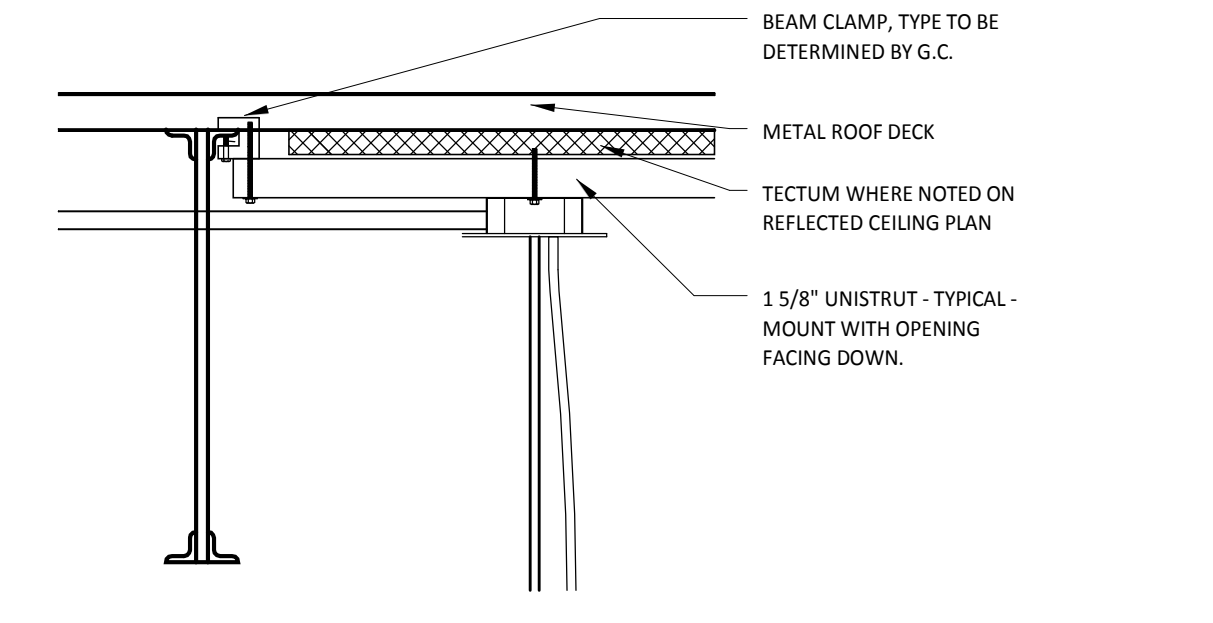
Drawn: TC, BP, DP Checked: KH, TC

Project No: CMG507

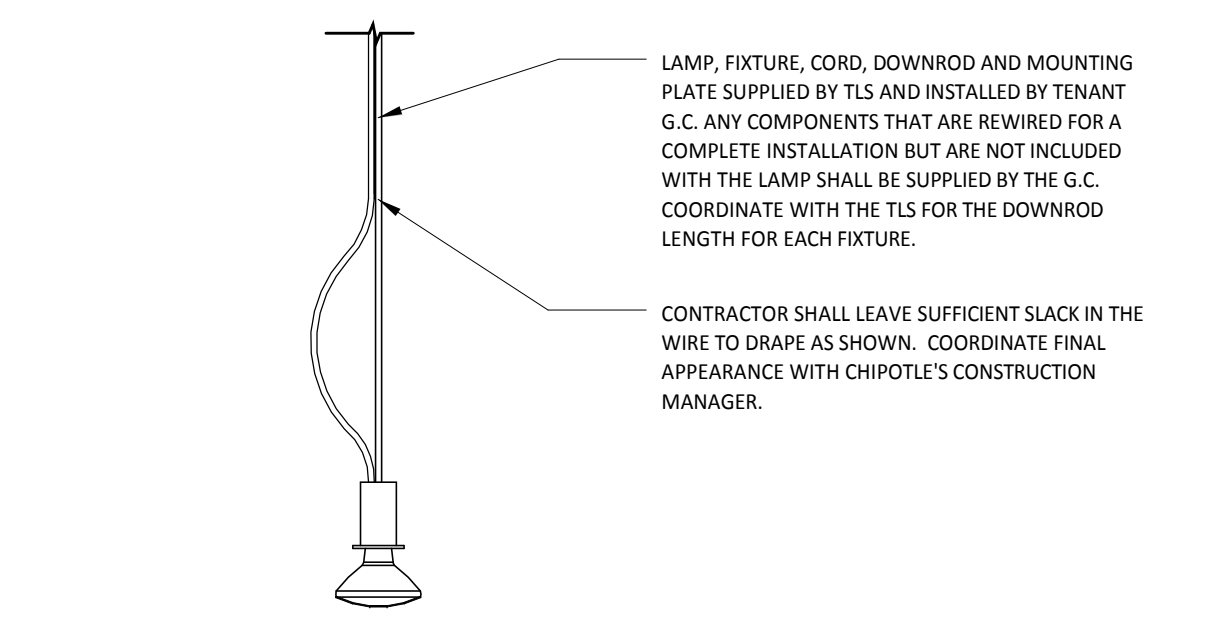
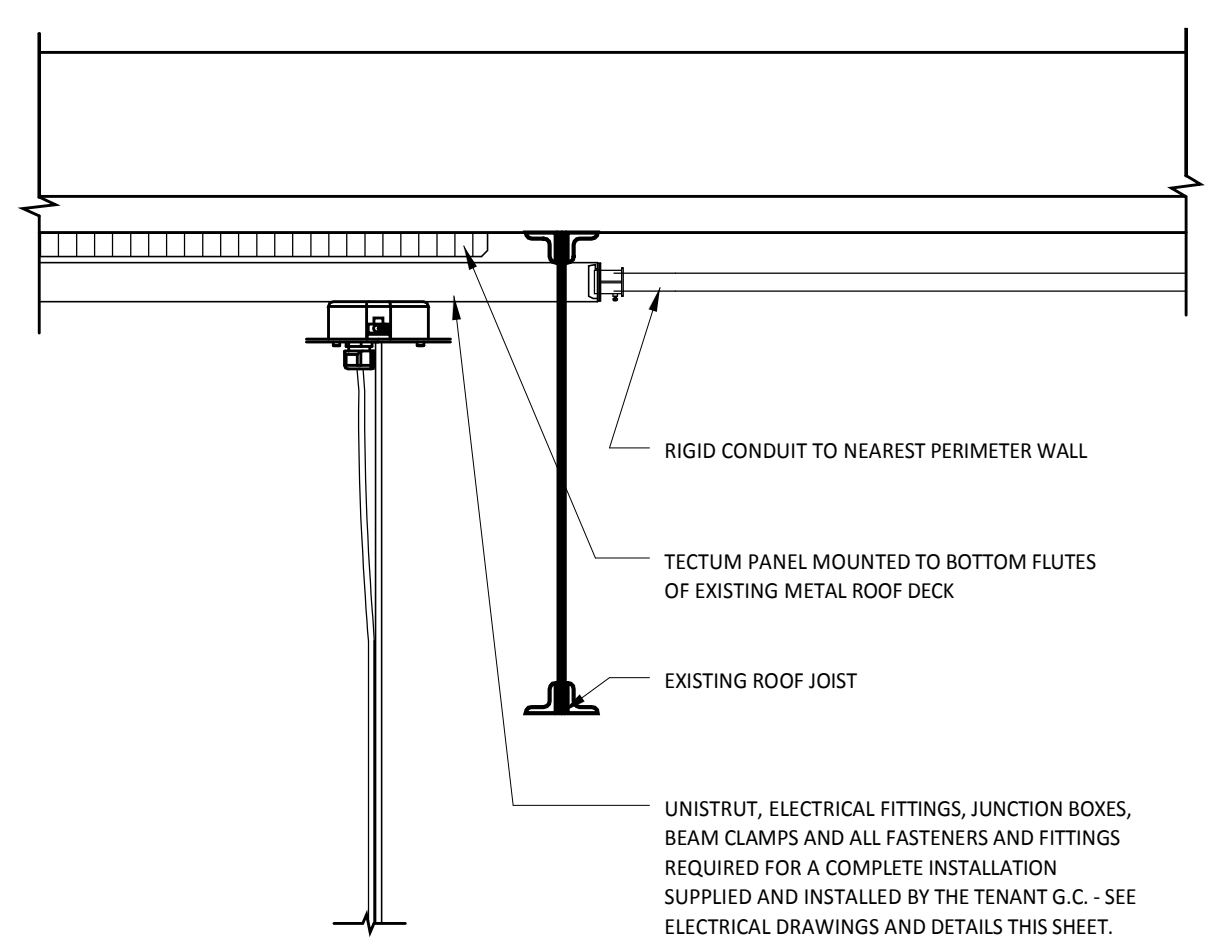
Contents: Ceiling Details



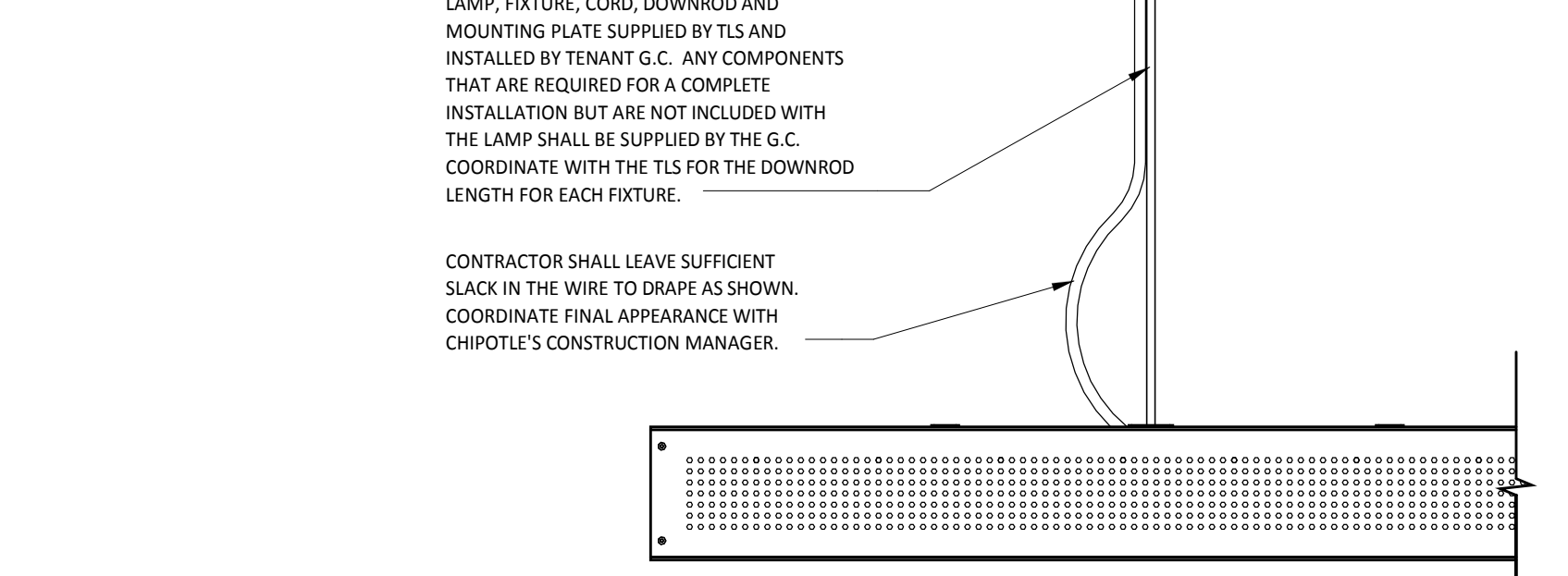
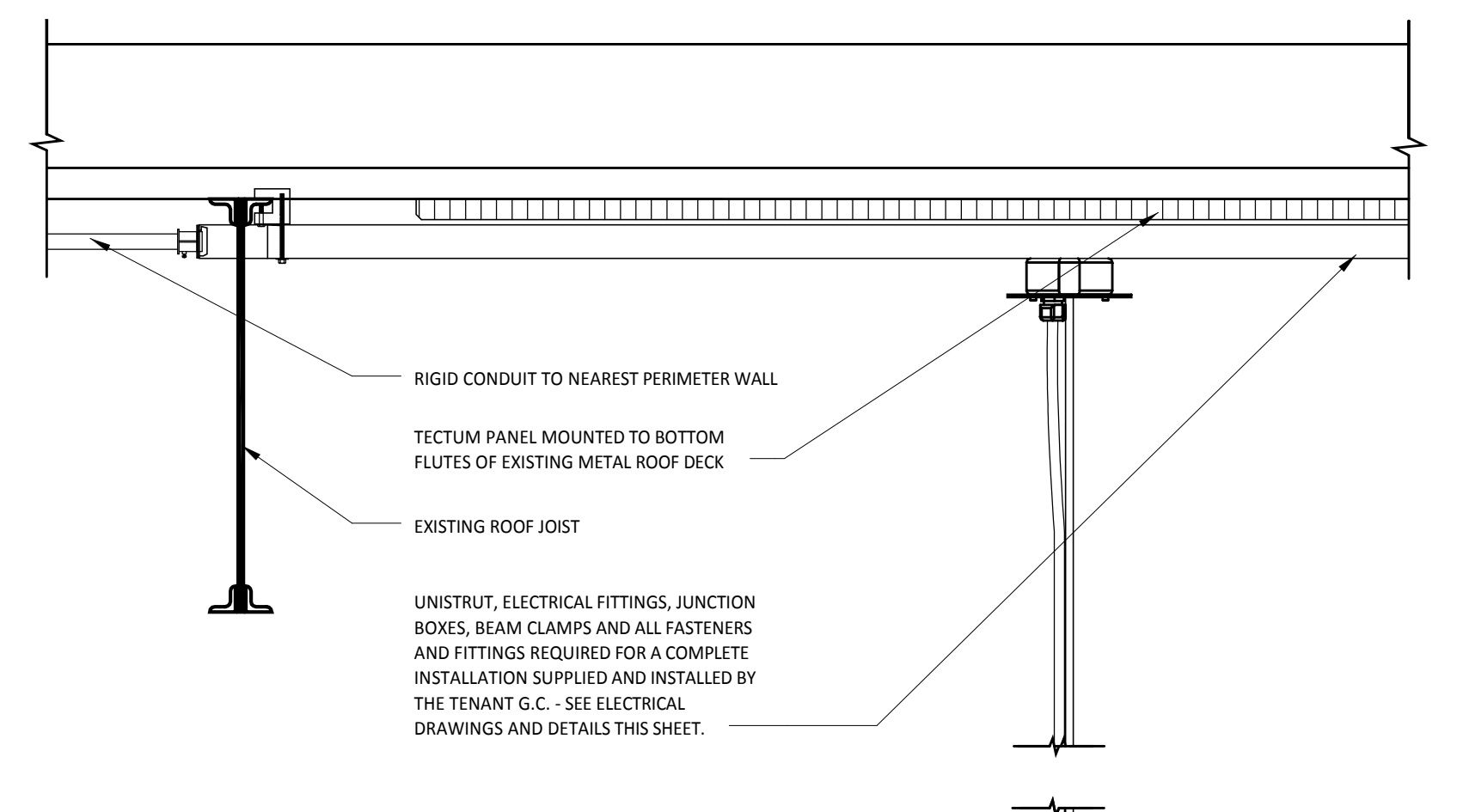
9 A141 3" = 1'-0" KITCHEN CEILING TRANSITION



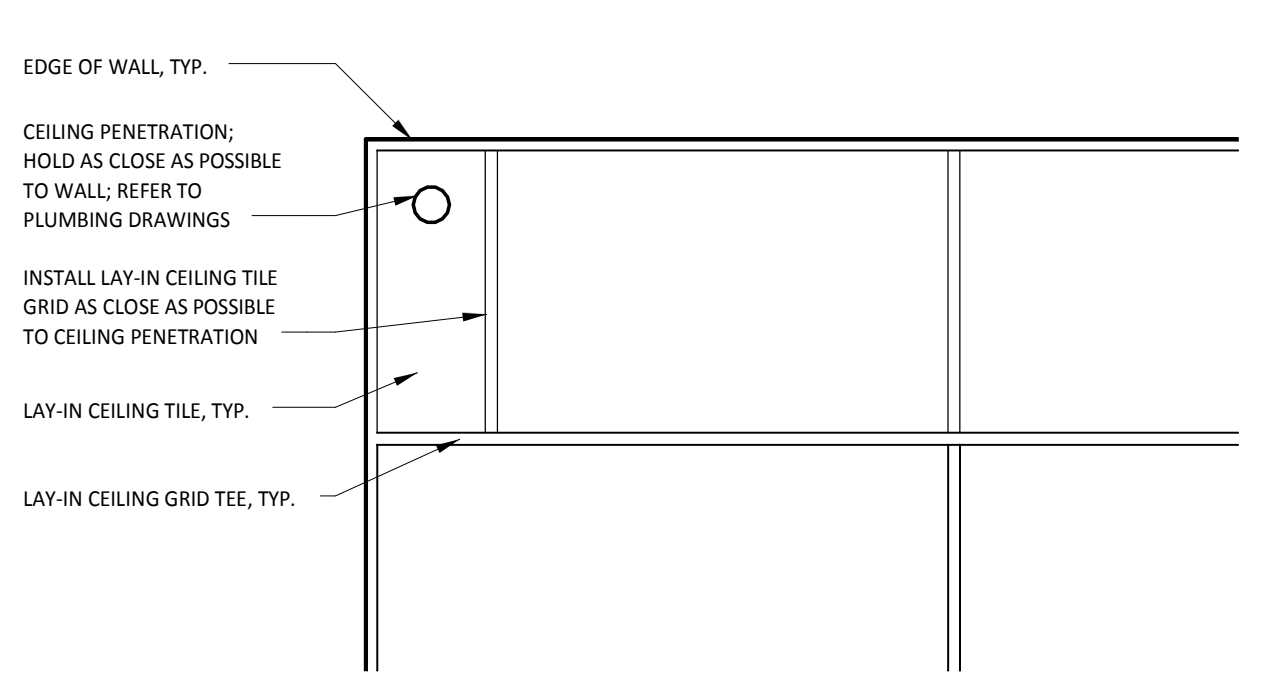
8 A141 1 1/2" = 1'-0" TYP. UNISTRUT MOUNTING DETAIL



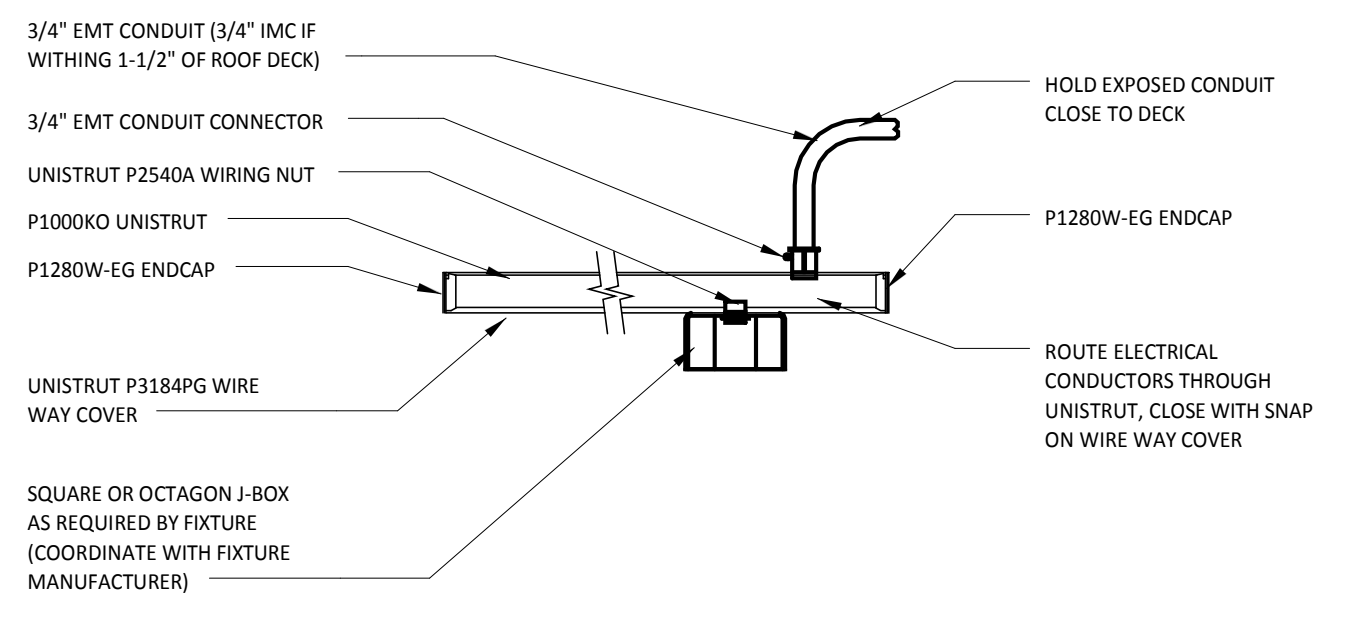
10 A141 1 1/2" = 1'-0" PENDANT LIGHT FIXTURE



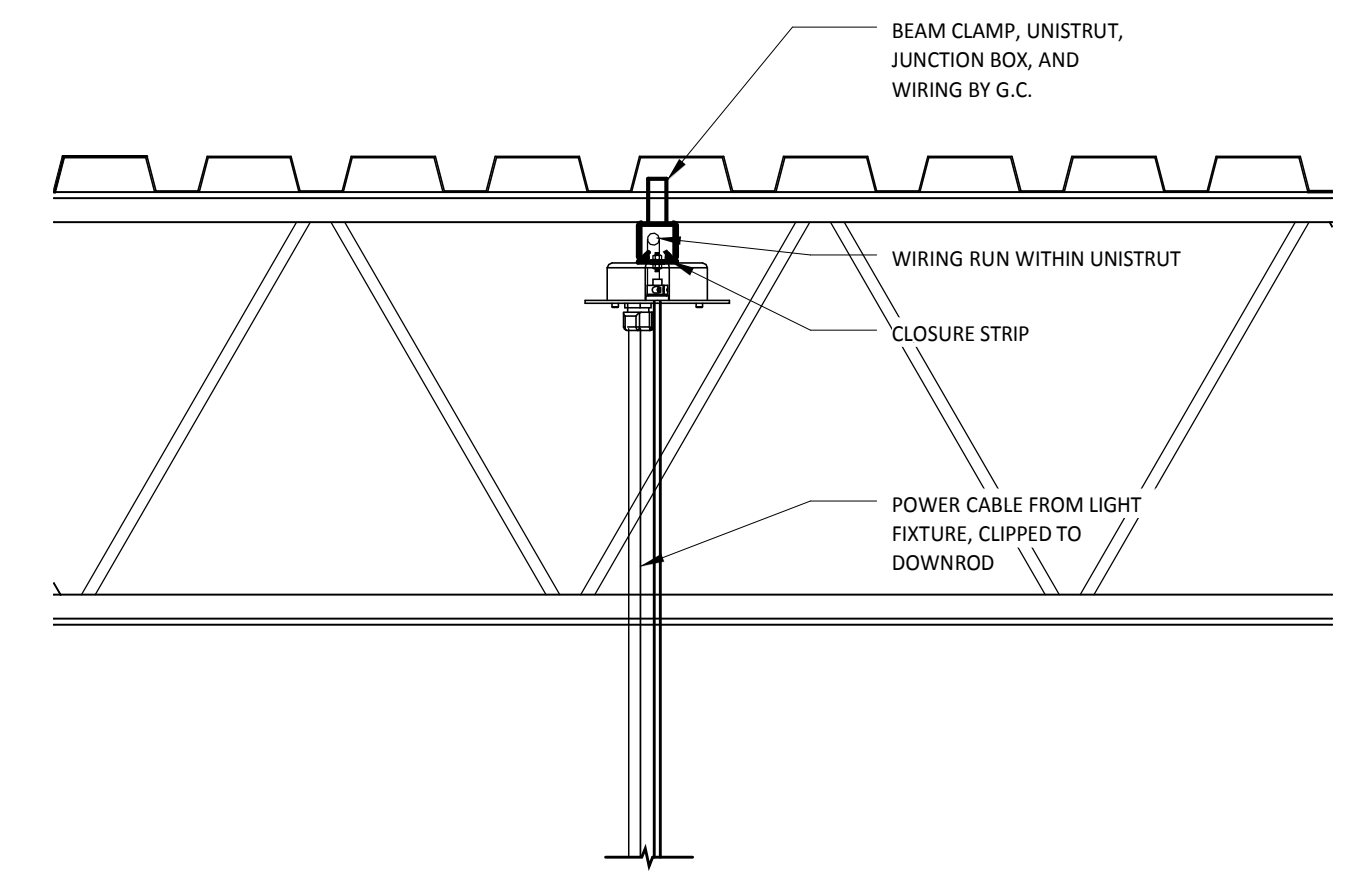
11 A141 1 1/2" = 1'-0" CUSTOM FABRICATED SUSPENDED LIGHT FIXTURE



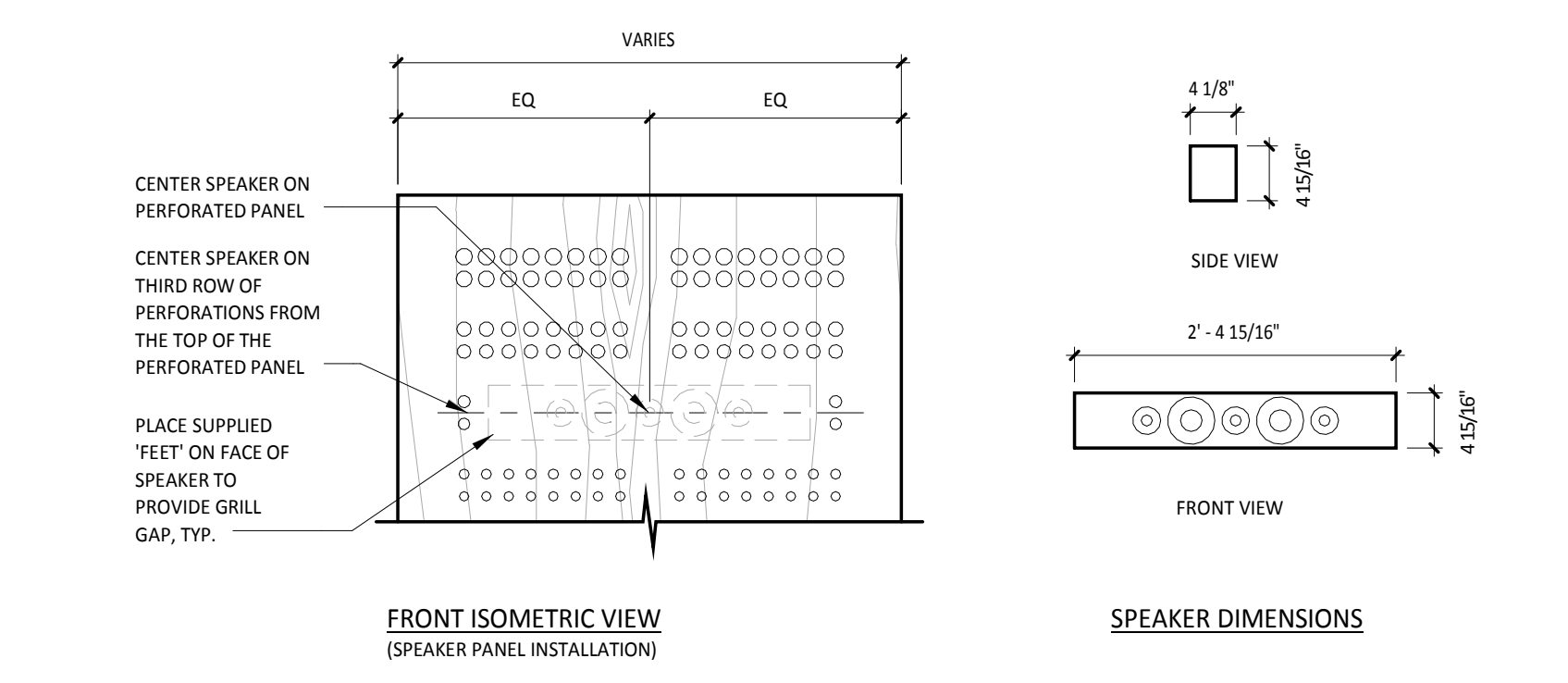
13 A141 3/4" = 1'-0" LAY-IN CEILING PENETRATION - PLAN DETAIL



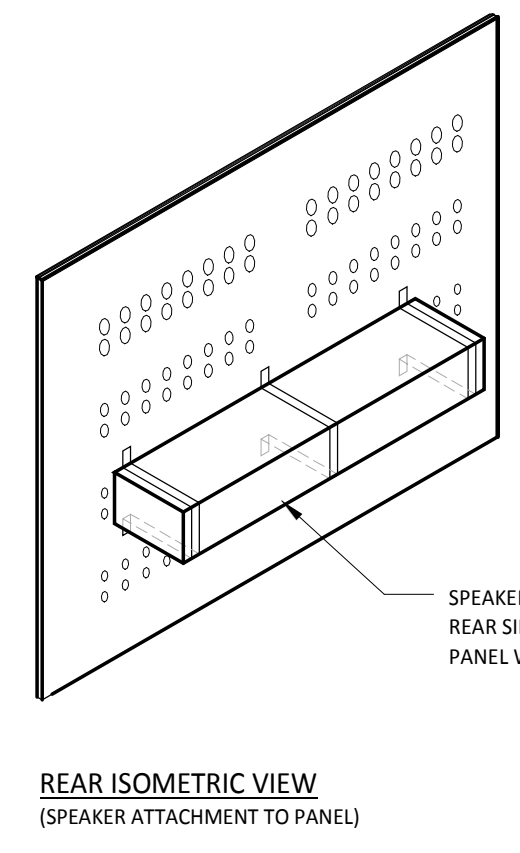
12 A141 1 1/2" = 1'-0" UNISTRUT MOUNTING DETAIL



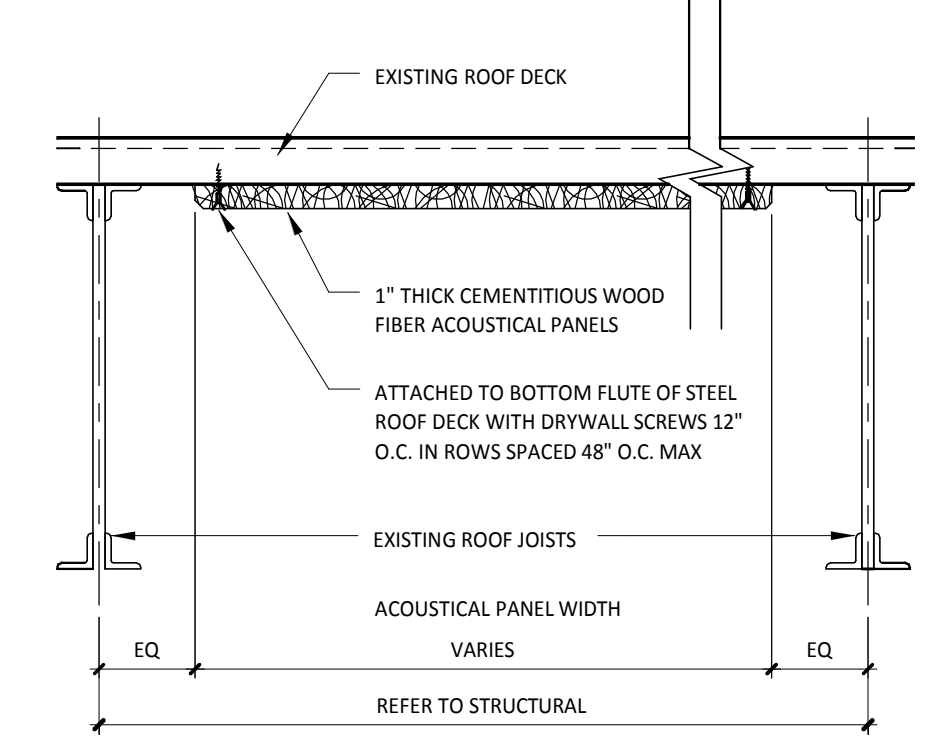
7 A141 1 1/2" = 1'-0" UNISTRUT DETAIL



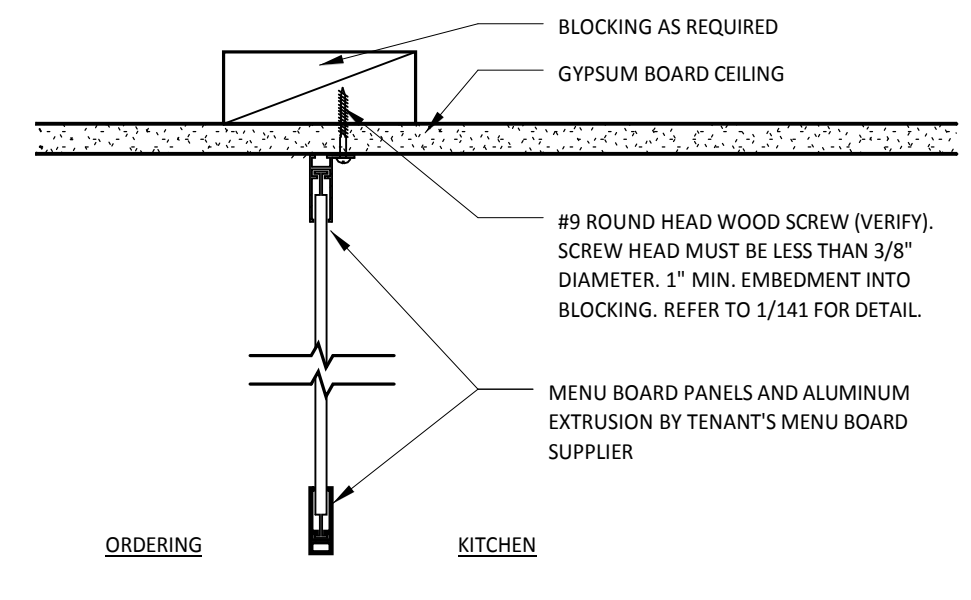
14 A141 3/4" = 1'-0" SPEAKERS IN PERF WALL



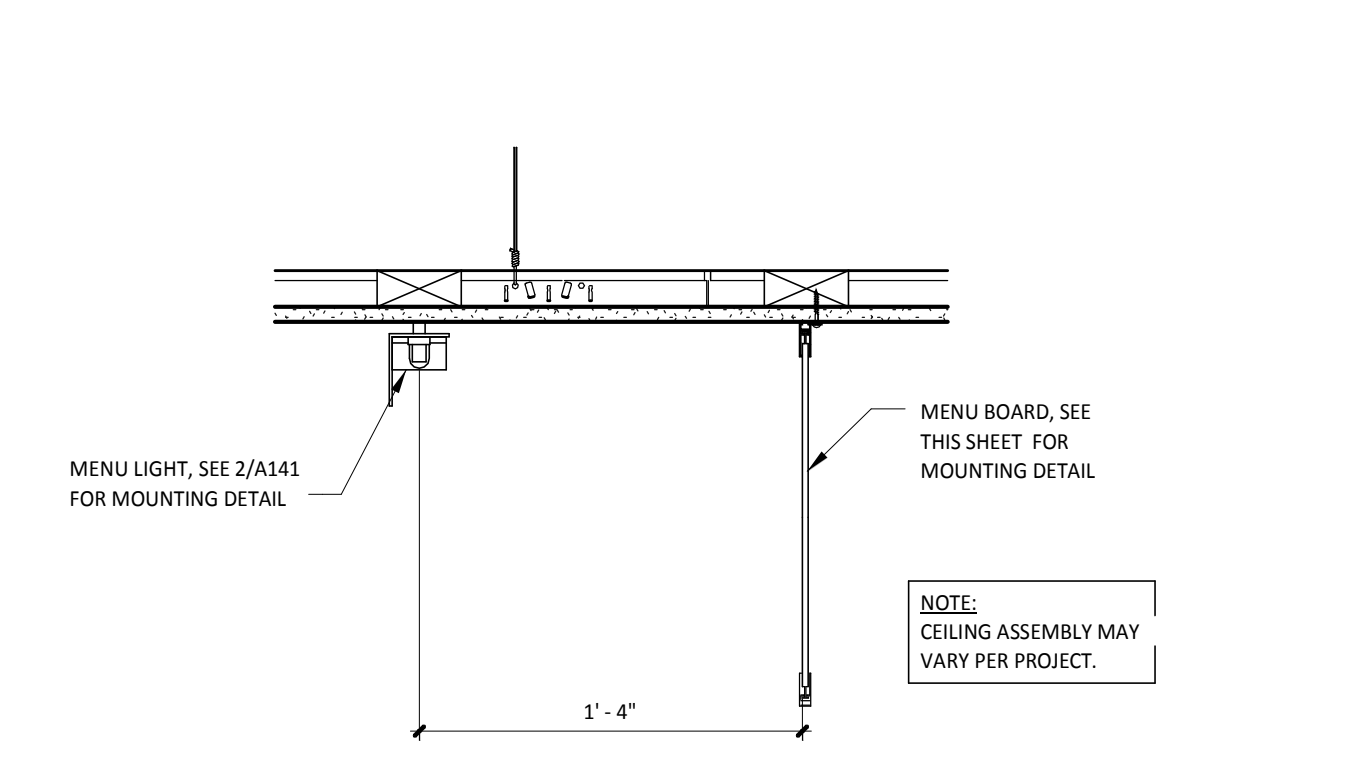
REAR ISOMETRIC VIEW (SPEAKER ATTACHMENT TO PANEL)



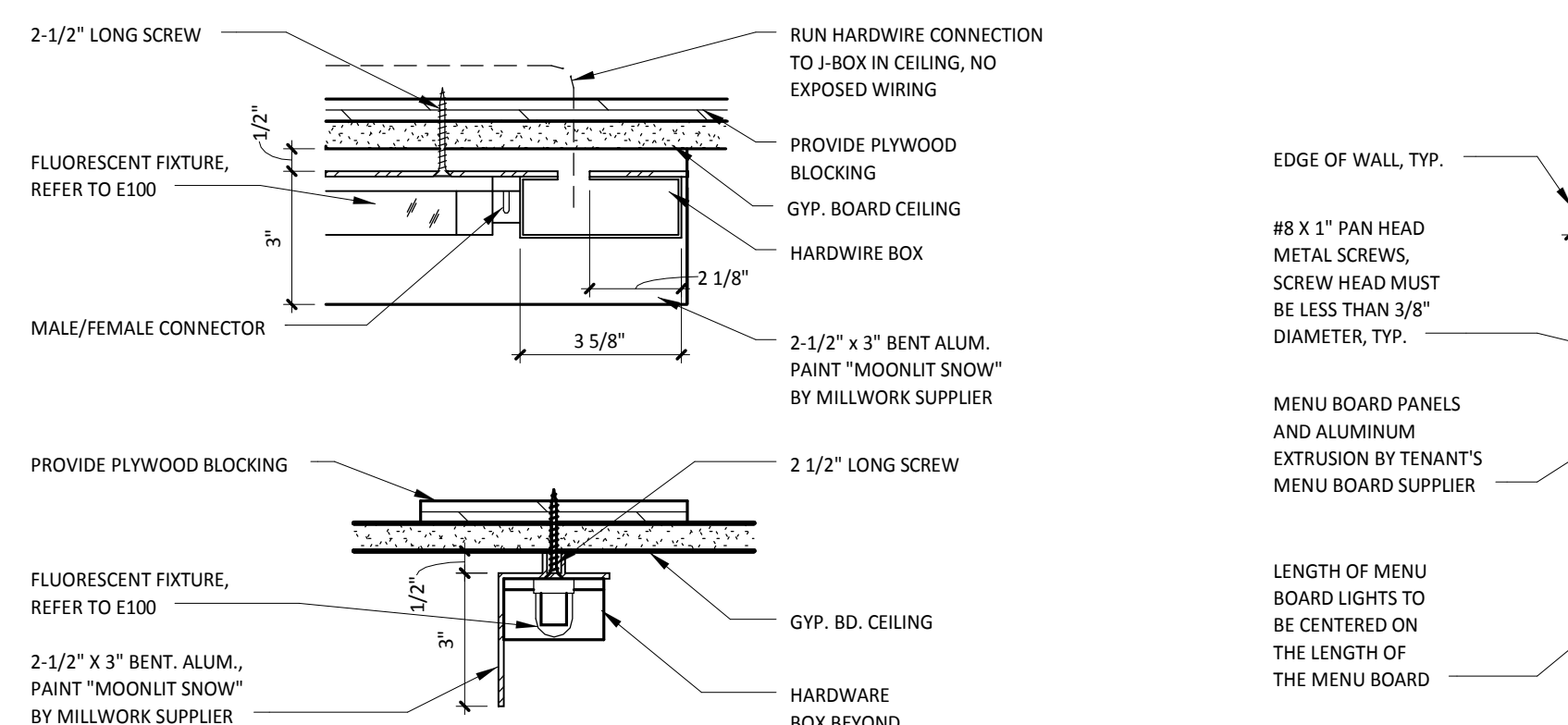
5 A141 1 1/2" = 1'-0" TECTUM DETAIL



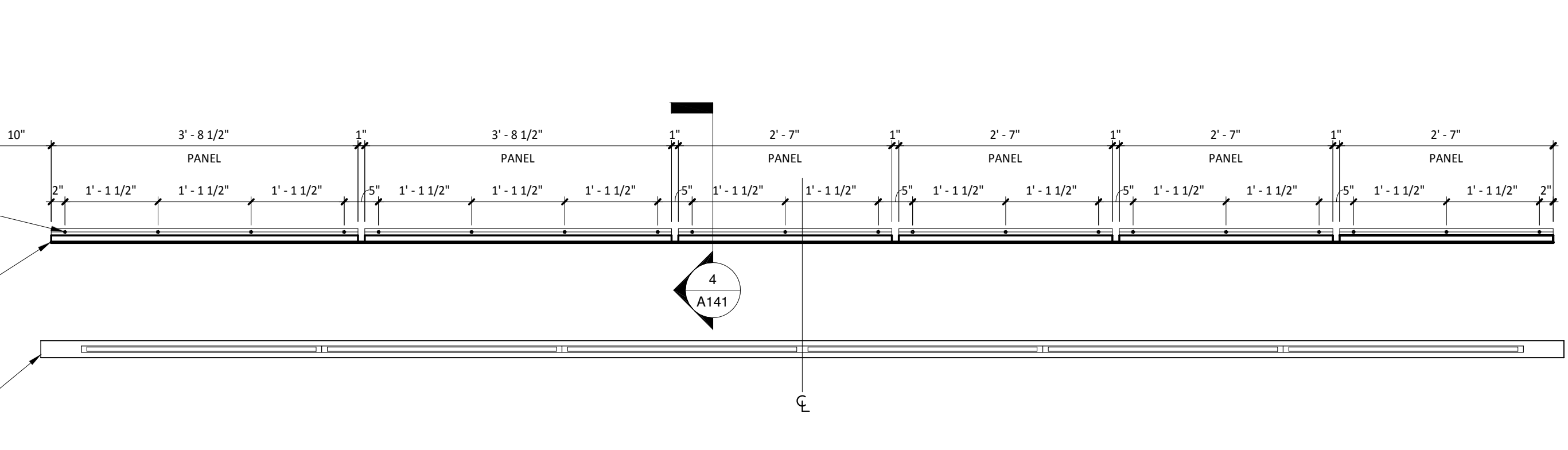
4 A141 3" = 1'-0" MENU BOARD BLOCKING DETAIL



3 A141 1 1/2" = 1'-0" MENU BOARD DETAIL



2 A141 3" = 1'-0" MENU BOARD / ACCENT LIGHT DETAILS



1 A141 3/4" = 1'-0" MENU - SCREW PATTERN PLAN