

DOOR HARDWARE

ALL HARDWARE SHALL MATCH STOREFRONT, VERIFY WITH ARCHITECT AND/OR CHIPOTLE CONSTRUCTION MANAGER PRIOR TO ORDERING.

TYPICAL EXTERIOR DOOR TYPES

1 MAIN ENTRY - PAIR

- DOOR: TYPE 1: PAIR 3'-0" X 7'-0" X 1-3/4" EXTERIOR ALUMINUM WIDE STILE & RAIL DOORS WITH CLEAR, INSULATED, TEMPERED SAFETY GLAZING (EXISTING).
- FRAME: EXISTING
- HARDWARE:
- (2) CONTINUOUS HINGE HAGER, MODEL 780-224HD-84" (SIZE 7'-0")
 - (1) MORTISE CYLINDER SCHLAGE, MODEL 80-103, BRUSHED CHROME; C.O. CYLINDER AT 34" MIN. FROM BOTTOM OF DOOR
 - (1) TEMP CORE SCHLAGE, MODEL 80-035 INTERCHANGEABLE CORE, (BRUSHED CHROME)
 - (2) CUSTOM WOOD PULLS 1 1/2" DIAMETER, VARIES HIGH - PROVIDED BY MILLWORK SUPPLIER. MOUNT TOP OF PULLS FLUSH WITH TOP OF GLAZING STOP IN DOOR, RE: SHOP DRAWINGS
 - (2) CUSTOM WOOD PUSH 1 1/2" DIAMETER, VARIES HIGH - PROVIDED BY MILLWORK SUPPLIER. MOUNT TOP OF PULLS FLUSH WITH TOP OF GLAZING STOP IN DOOR, RE: SHOP DRAWINGS.
 - (1) DEADBOLT ADAMS RITE, MODEL MS18505-310-628
 - (1) EXIT INDICATOR ADAMS RITE, MODEL 4089-00-130
 - (1) HEADER BOLT ADAMS RITE, MODEL 4016
 - (1) THRESHOLD BOLT ADAMS RITE, MODEL 4015
 - (2) DOOR CLOSER DORMA, MODEL 8916-AF89P (TOP JAMB), (ALUMINUM)
 - (2) DOOR STOP IVES, MODEL FS446 (ALUMINUM)
 - (2) OVERHEAD STOP GLYNN-JOHNSON, MODEL GL450 (454S 630) (ALUMINUM)
 - (2) CLOSER BACK PLATE DORMA, MODEL BP89, ALUMINUM
 - (1) THRESHOLD REESE, MODEL S424A-72 (SIZE 72") USE NON-SHRINK STRUCTURAL GROUT BED UNDER THRESHOLD
 - (2) SMOKE SEAL REESE, MODEL F-797B-21
 - (2) DOOR SWEEP PEMKO, MODEL SFSC-200-36 (36" DOOR) (BLACK), OWNER FURNISHED

NOTE: CONTRACTOR TO RETROFIT LOCKS TO BE KEYPED THE SAME AS DOORS 2 & 3

NOTE: EXIT INDICATOR ARRIVES WITH SIGNS STATING "THIS DOOR TO REMAIN UNLOCKED DURING BUSINESS HOURS" AND "THIS DOOR TO REMAIN UNLOCKED WHEN THE BUILDING IS OCCUPIED". VERIFY REQUIRED SIGN WORDING WITH LOCAL JURISDICTION PRIOR TO INSTALLATION. ONE SIGN IS TO BE PLACED IN A VISIBLE LOCATION ABOVE THE DOORS.

NOTE: THERE IS TO BE NO EXTERIOR HOLE OR CYLINDER

4A INTERIOR VESTIBULE - SINGLE LEAF (EGRESS)

- DOOR: TYPE 4: 3'-0" X 7'-0" X 1-3/4" ALUMINUM WIDE STILE & RAIL DOOR WITH CLEAR, INSULATED, TEMPERED SAFETY GLAZING.
- FRAME: STOREFRONT A
- HARDWARE:
- (1) CONTINUOUS HINGES HAGER, MODEL 780-224HD-84" (SIZE 7'-0")
 - (1) CUSTOM WOOD PUSH 1 1/2" DIAMETER, VARIES HIGH - PROVIDED BY MILLWORK SUPPLIER. MOUNT TOP OF PULLS FLUSH WITH TOP OF GLAZING STOP IN DOOR, RE: SHOP DRAWINGS.
 - (1) CUSTOM WOOD PULL 1 1/2" DIAMETER, VARIES HIGH - PROVIDED BY MILLWORK SUPPLIER. MOUNT TOP OF PULLS FLUSH WITH TOP OF GLAZING STOP IN DOOR, RE: SHOP DRAWINGS
 - (1) DOOR CLOSER DORMA, MODEL 8916-AF89P (TOP JAMB), (ALUMINUM)
 - (1) DOOR STOP IVES, MODEL FS446 (ALUMINUM)
 - (1) CLOSER BACK PLATE DORMA, MODEL BP89, ALUMINUM
 - (1) KICK PLATE HIWATHA, MODEL KP834-US32D (SIZE 8" X 34")

2 PATIO ENTRY - SINGLE LEAF (EGRESS)

- DOOR: TYPE 1: 3'-0" X 7'-0" X 1-3/4" EXTERIOR ALUMINUM WIDE STILE & RAIL DOORS WITH CLEAR, INSULATED, TEMPERED SAFETY GLAZING. (EXISTING)
- FRAME: EXISTING
- HARDWARE:
- (1) CONTINUOUS HINGE HAGER, MODEL 780-224HD-84" (SIZE 7'-0")
 - (1) EXIT DEVICE ADAMS RITE, MODEL 8801-36 (ALUMINUM FINISH, 36" DOOR); C.O. EXIT DEVICE AT 38" FROM BOTTOM OF DOOR
 - (1) RIM CYLINDER GLS, MODEL RCIC-7-L2-626; C.O. CYLINDER AT 37 3/8" FROM BOTTOM OF DOOR
 - (1) TEMP CORE SCHLAGE, MODEL 80-035 INTERCHANGEABLE CORE, (BRUSHED CHROME)
 - (1) NON-OFFSET PULL HIWATHA, MODEL 5358 (8" OVERALL)
 - (1) DOOR CLOSER DORMA, MODEL 8916-AF89P (TOP JAMB), (ALUMINUM)
 - (1) DOOR STOP IVES, MODEL FS446 (ALUMINUM)
 - (1) OVERHEAD STOP GLYNN-JOHNSON, MODEL GL450 (454S 630) (ALUMINUM)
 - (1) CLOSER BACK PLATE DORMA, MODEL BP89, ALUMINUM
 - (1) THRESHOLD REESE, MODEL S424A-36 (SIZE 36") USE NON-SHRINK STRUCTURAL GROUT BED UNDER THRESHOLD
 - (1) SMOKE SEAL REESE, MODEL F-797B-21
 - (1) DOOR SWEEP PEMKO, MODEL SFSC-200-36 (36" DOOR), (BLACK), OWNER FURNISHED

NOTE: CONTRACTOR TO RETROFIT LOCKS TO BE KEYPED THE SAME AS DOORS 1 & 3

4B INTERIOR VESTIBULE - SINGLE LEAF (EGRESS)

- DOOR: TYPE 4: 3'-0" X 7'-0" X 1-3/4" ALUMINUM WIDE STILE & RAIL DOOR WITH CLEAR, INSULATED, TEMPERED SAFETY GLAZING.
- FRAME: STOREFRONT C
- HARDWARE:
- (1) CONTINUOUS HINGES HAGER, MODEL 780-224HD-84" (SIZE 7'-0")
 - (1) CUSTOM WOOD PUSH 1 1/2" DIAMETER, VARIES HIGH - PROVIDED BY MILLWORK SUPPLIER. MOUNT TOP OF PULLS FLUSH WITH TOP OF GLAZING STOP IN DOOR, RE: SHOP DRAWINGS.
 - (1) CUSTOM WOOD PULL 1 1/2" DIAMETER, VARIES HIGH - PROVIDED BY MILLWORK SUPPLIER. MOUNT TOP OF PULLS FLUSH WITH TOP OF GLAZING STOP IN DOOR, RE: SHOP DRAWINGS
 - (1) DOOR CLOSER DORMA, MODEL 8916-AF89P (TOP JAMB), (ALUMINUM)
 - (1) DOOR STOP IVES, MODEL FS446 (ALUMINUM)
 - (1) CLOSER BACK PLATE DORMA, MODEL BP89, ALUMINUM
 - (1) KICK PLATE HIWATHA, MODEL KP834-US32D (SIZE 8" X 34")

6 MEN'S ROOM - SINGLE LEAF

- DOOR: TYPE 2: 3'-0" X 7'-4" WITH 5/8" UNDERCUT X 1-3/4" HOLLOW METAL DOOR
- FRAME: TYPE 2: HOLLOW METAL (WELDED)
- HARDWARE:
- (3) HINGE STANLEY, MODEL FBB179-260 (SIZE 4-1/2" X 4-1/2")
 - (1) CLOSER DORMA, MODEL 7414AR ALUMINUM
 - (1) LOCKSET SCHLAGE, MODEL AL40S SAT 626
 - (1) DOOR STOP DON-JO, 1407-630
 - (3) DOOR SILENCERS IVES, MODEL SR64
 - (2) KICK PLATE HIWATHA, MODEL KP834-32D
 - (1) COAT HOOK MILLS, MODEL FT6519, SUPPLIED BY WASHROOM ACCESSORIES VENDOR, MOUNT T.O. HOOK AT 47 1/2" AFF

3 SIDE ENTRY - SINGLE LEAF (EGRESS)

- DOOR: TYPE 1: 3'-6" X 7'-0" X 1-3/4" EXTERIOR ALUMINUM WIDE STILE & RAIL DOORS WITH CLEAR, INSULATED, TEMPERED SAFETY GLAZING. (EXISTING)
- FRAME: EXISTING
- HARDWARE:
- (1) RIM CYLINDER GLS, MODEL RCIC-7-L2-626; C.O. CYLINDER AT 37 3/8" FROM BOTTOM OF DOOR
 - (1) TEMP CORE SCHLAGE, MODEL 80-035 INTERCHANGEABLE CORE, (BRUSHED CHROME)
 - (1) CONTINUOUS HINGE HAGER, MODEL 780-224HD-84" (SIZE 7'-0")
 - (1) EXIT DEVICE ADAMS RITE, MODEL 8801-36 (ALUMINUM FINISH, 36" DOOR); C.O. EXIT DEVICE AT 38" FROM BOTTOM OF DOOR
 - (1) NON-OFFSET PULL HIWATHA, MODEL 5358 (8" OVERALL)
 - (1) DOOR CLOSER DORMA, MODEL 8916-AF89P (TOP JAMB), (ALUMINUM)
 - (1) DOOR STOP IVES, MODEL FS446 (ALUMINUM)
 - (1) OVERHEAD STOP GLYNN-JOHNSON, MODEL GL450 (454S 630) (ALUMINUM)
 - (1) CLOSER BACK PLATE DORMA, MODEL BP89, ALUMINUM
 - (1) THRESHOLD REESE, MODEL S424A-36 (SIZE 36") USE NON-SHRINK GROUT BED UNDER THRESHOLD
 - (1) SMOKE SEAL REESE, MODEL F-797B-21
 - (1) DOOR SWEEP PEMKO, MODEL SFSC-200-36 (36" DOOR) OWNER FURNISHED

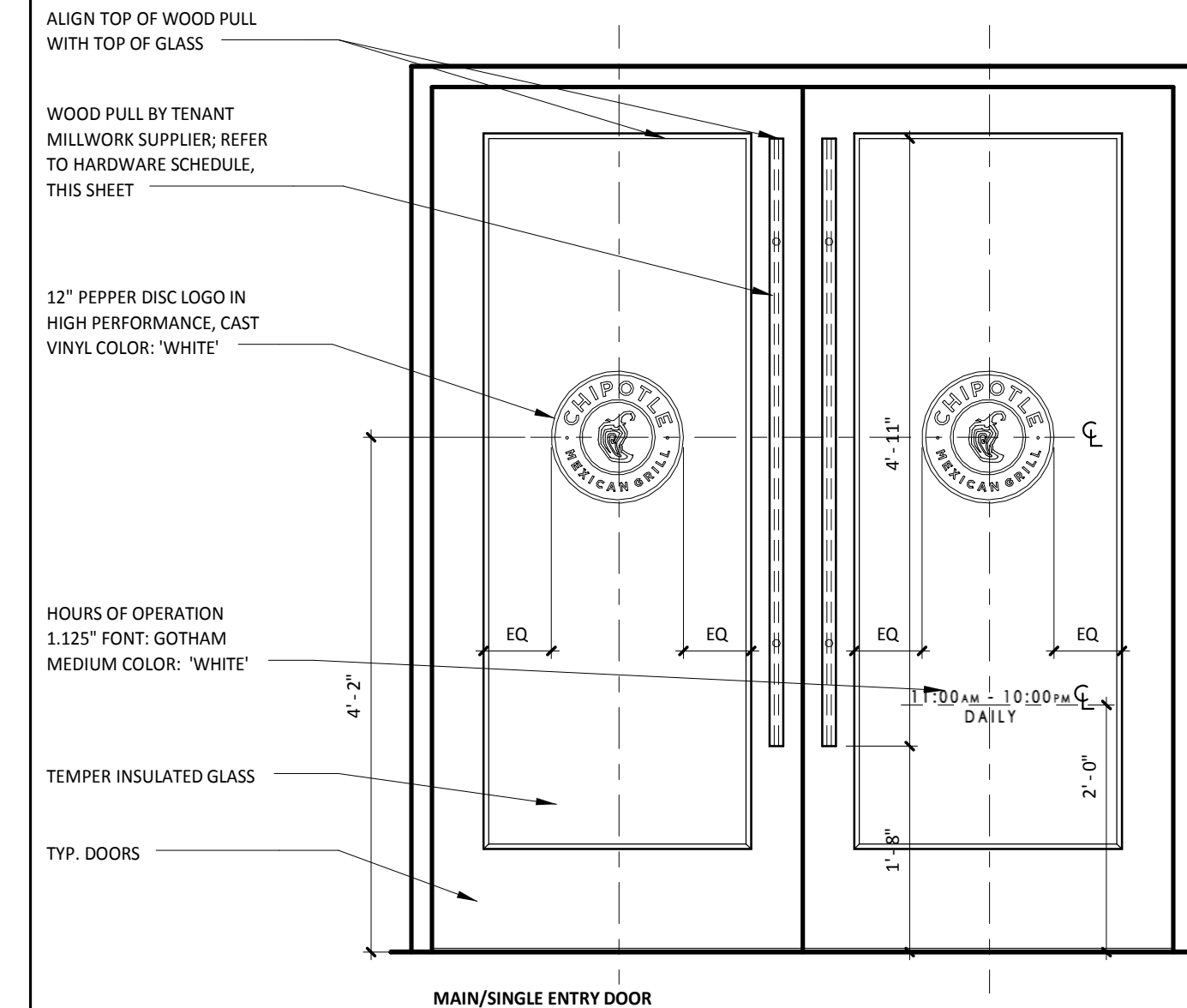
NOTE: CONTRACTOR TO RETROFIT LOCKS TO BE KEYPED THE SAME AS DOORS 1 & 2

5 WOMEN'S ROOM - SINGLE LEAF

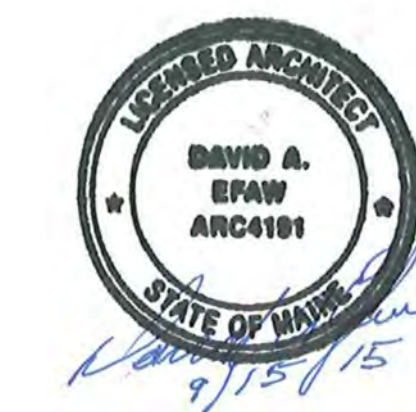
- DOOR: TYPE 2: 3'-0" X 7'-4" WITH 5/8" UNDERCUT X 1-3/4" HOLLOW METAL DOOR
- FRAME: TYPE 2: HOLLOW METAL (WELDED)
- HARDWARE:
- (3) HINGE STANLEY, MODEL FBB179-260 (SIZE 4-1/2" X 4-1/2")
 - (1) CLOSER DORMA, MODEL 7414AR ALUMINUM
 - (1) LOCKSET SCHLAGE, MODEL AL40S SAT 626
 - (1) DOOR STOP DON-JO, 1407-630
 - (3) DOOR SILENCERS IVES, MODEL SR64
 - (2) KICK PLATE HIWATHA, MODEL KP834-32D
 - (1) COAT HOOK MILLS, MODEL FT6519, SUPPLIED BY WASHROOM ACCESSORIES VENDOR, MOUNT T.O. HOOK AT 47 1/2" AFF

7 REAR KITCHEN EGRESS - SINGLE LEAF

- DOOR: TYPE 3: 3'-0" X 7'-0" X 1-3/4" HOLLOW METAL DOOR
- FRAME: TYPE 2: HOLLOW METAL (WELDED)
- HARDWARE:
- (3) HINGE STANLEY, MODEL FBB179-24D (SIZE 4-1/2" X 4-1/2")
 - (1) LOCKSET SCHLAGE, MODEL AL80BD SAT 626
 - (1) TEMP CORE SCHLAGE, MODEL 80-035 INTERCHANGEABLE CORE (FINISH: BRUSHED CHROME)
 - (1) DOOR STOP DON-JO, 1407-630



Consultant:
r e d
architecture + planning
855 GRANDVIEW AVENUE SUITE 295
COLUMBUS, OHIO 43215
PHONE: 614.487.8770
FAX: 614.487.8777



COPYRIGHT 2015
THIS DRAWING IS AN INSTRUMENT OF SERVICE AND AS SUCH REMAINS THE PROPERTY OF CHIPOTLE MEXICAN GRILL, INC. PERMISSION FOR USE OF THIS DOCUMENT IS LIMITED AND CAN BE EXTENDED ONLY BY WRITTEN AGREEMENT WITH CHIPOTLE MEXICAN GRILL, INC.

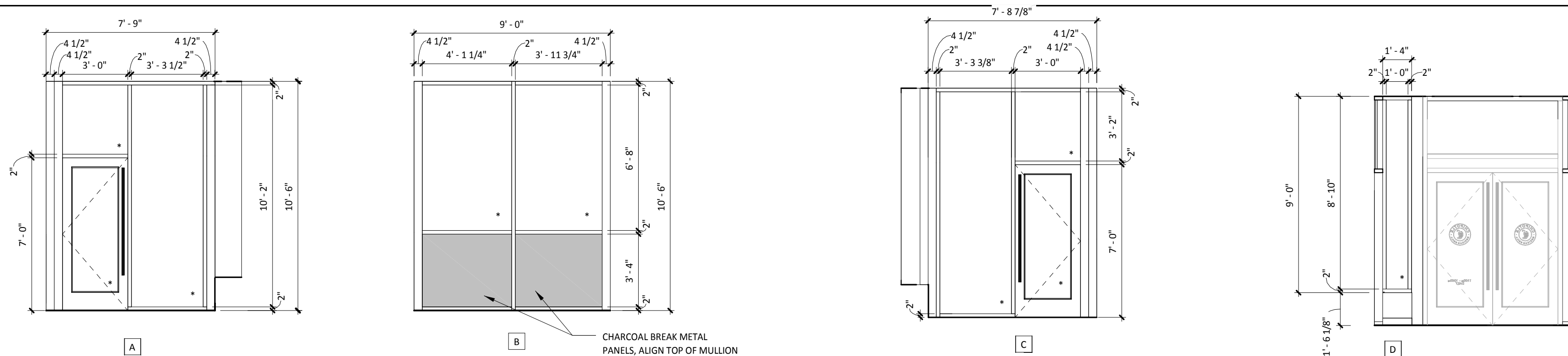


CHIPOTLE MEXICAN GRILL, INC.
1401 WYNNWOOD STREET, SUITE 500
DENVER, COLORADO 80202
TELEPHONE: (303) 595-4000
FAX: (303) 595-4014
INTERNET: WWW.CHIPOTLE.COM

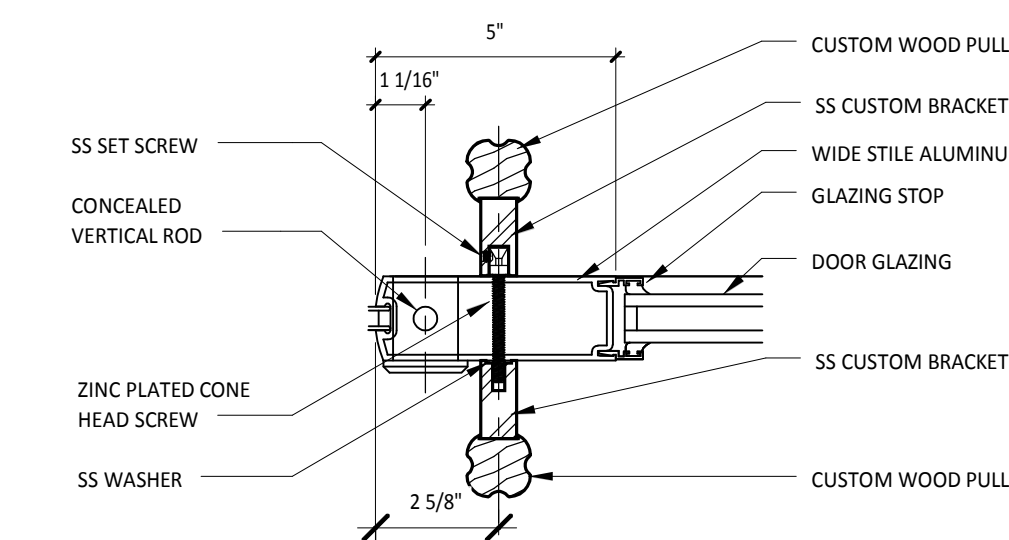
STORE NO.: 2603
PORTLAND MARGINAL WAY
195 KENNEBEC ST
PORTLAND, ME 04101

WINDOW FRAME TYPES

NOTE: ALL EXTERIOR STOREFRONT IS EXISTING BY LANDLORD. TENANT G.C. TO PROVIDE INTERIOR STOREFRONT VESTIBULE WITH FINISH TO MATCH EXISTING.

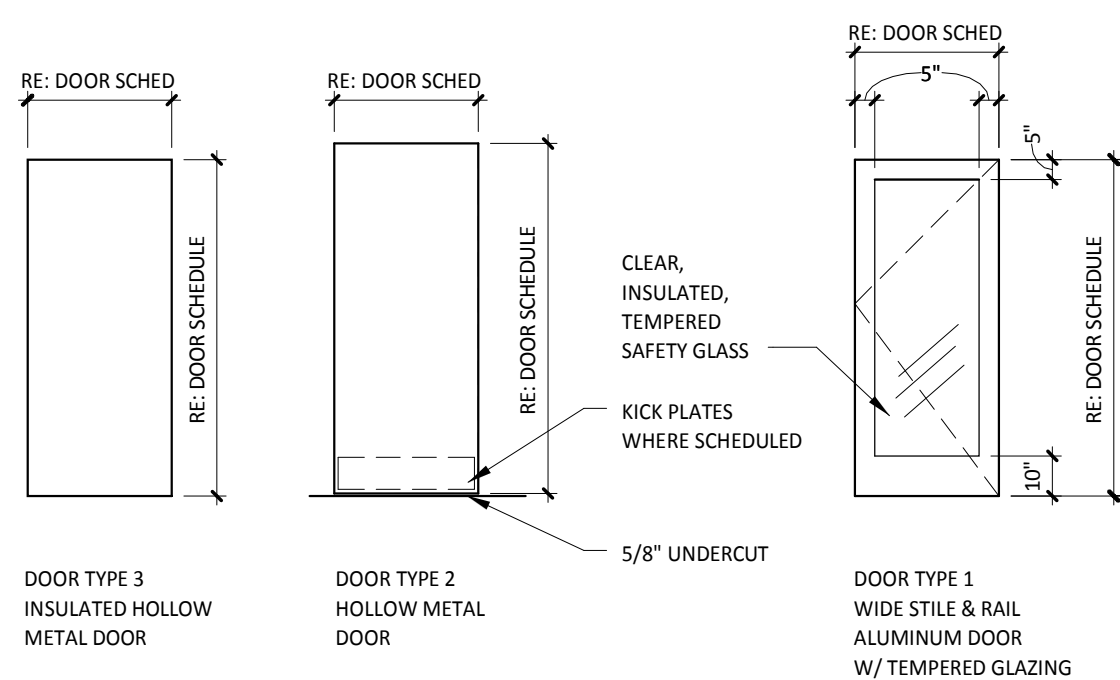


CUSTOM WOOD PULL

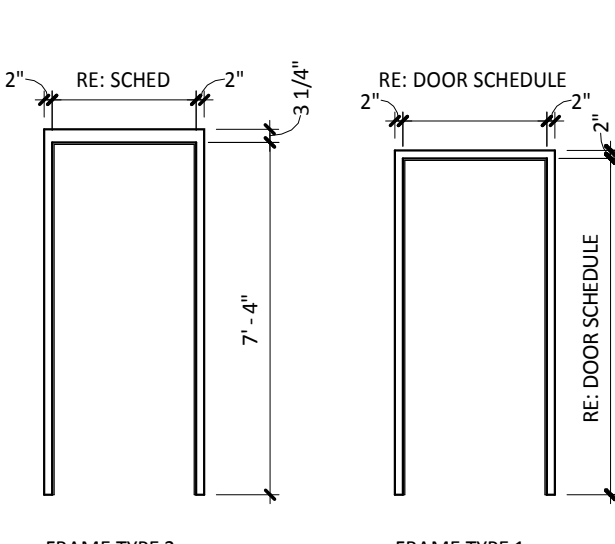


- ALL VESTIBULE WINDOW AND DOOR GLAZING IS TO BE CLEAR / NON-INSULATED.
- WINDOW AND DOOR GLAZING TO BE TEMPERED AT LOCATIONS INDICATED WITH ***.
- NEW STOREFRONT FRAMING SYSTEM TO BE SUPPLIED BY TENANT G.C. TENANT G.C. TO VERIFY FRAMING OPENING SIZES AND MATERIALS WITH ARCHITECT AND/OR CHIPOTLE CONSTRUCTION MANAGER PRIOR TO FABRICATION.
- VESTIBULE STOREFRONT SYSTEM TO MATCH EXISTING EXTERIOR STOREFRONT SYSTEM.

DOOR TYPES



DOOR FRAMES

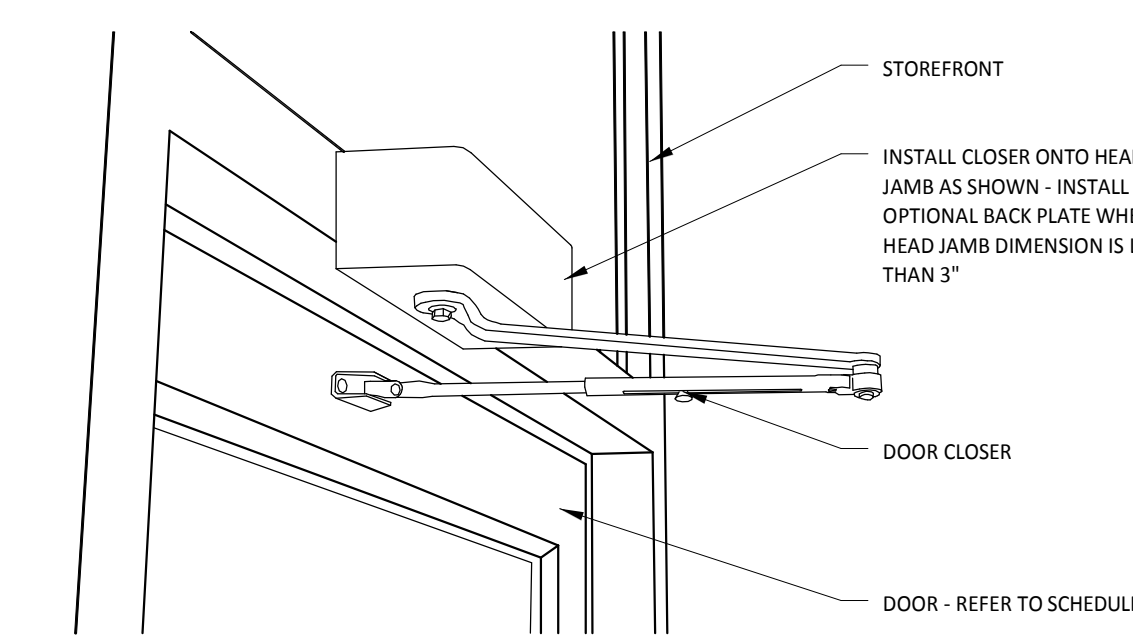


NOTE: GC TO VERIFY THE WALL THICKNESS PRIOR TO ORDERING DOOR FRAMES.

DOOR NOTES

- ALL EGRESS DOORS SHALL BE READILY OPENABLE FROM THE EGRESS SIDE WITHOUT THE USE OF A KEY OR SPECIAL KNOWLEDGE OR EFFORT.
- LATCHES, HANDLES, PANIC BARS AND ALL DOOR HARDWARE WILL COMPLY WITH SECTION 7.2 OF NFPA 101 PER THE SPECIFICATIONS.
- THE MANAGER HAS A KEY TO UNLOCK RESTROOM DOORS, FROM THE OUTSIDE IN CASE OF AN EMERGENCY.
- ALL DOORS TO REMAIN UNLOCKED DURING BUSINESS HOURS.
- SEE THIS SHEET FOR EXTERIOR DOOR SIGNAGE INFO.
- ALL FRAMES, DOORS AND HARDWARE TO BE FURNISHED BY TENANT HARDWARE SUPPLIER AND INSTALLED BY TENANT G.C. CALL PETE KLIMEK WITH TWIN CITY HARDWARE AT 763-535-4660 TO ARRANGE DELIVERY. STOREFRONT DOORS ARE TO BE PROVIDED BY GC, STOREFRONT HARDWARE PROVIDED BY TENANT HARDWARE SUPPLIER.
- MAXIMUM EFFORT TO OPERATE EXTERIOR OR INTERIOR DOORS WITH CLOSERS SHALL NOT EXCEED 5 POUNDS. THIS MAY BE INCREASED TO 15 POUNDS FOR FIRE-RATED DOORS.
- THE BOTTOM 10 INCHES OF ALL DOORS SHALL HAVE A SMOOTH, UNINTERRUPTED SURFACE TO ALLOW THE DOOR TO BE OPENED BY A WHEELCHAIR FOOTREST WITHOUT CREATING A TRAP OR HAZARDOUS CONDITION.
- ALL SUPPORT SIGNAGE PROVIDED BY TENANT'S SUPPORT SIGNAGE SUPPLIER.
- ALL SUPPORT SIGNAGE INSTALLED BY G.C.

DOOR CLOSER



TOP JAMB MOUNT INSTALLATION. (NOTE THAT BACKPLATE IS MISSING IN THIS INSTALLATION BECAUSE HEAD JAMB IS OF ADEQUATE HEIGHT TO RECEIVE ALL MOUNTING SCREWS WITHOUT IT.) WHEN IN DOUBT ABOUT THE HEAD JAMB DIMENSION OR STABILITY, ORDER THE BACKPLATE.

Issue Record:
09/15/15 PERMIT/LANDLORD REVIEW

Revisions:

Drawn: TC, BP, DP
Checked: KH, TC

Project No:
CMG507

Contents:
Door & Hardware Schedule

A117

Date of Last Print:
09/15/15