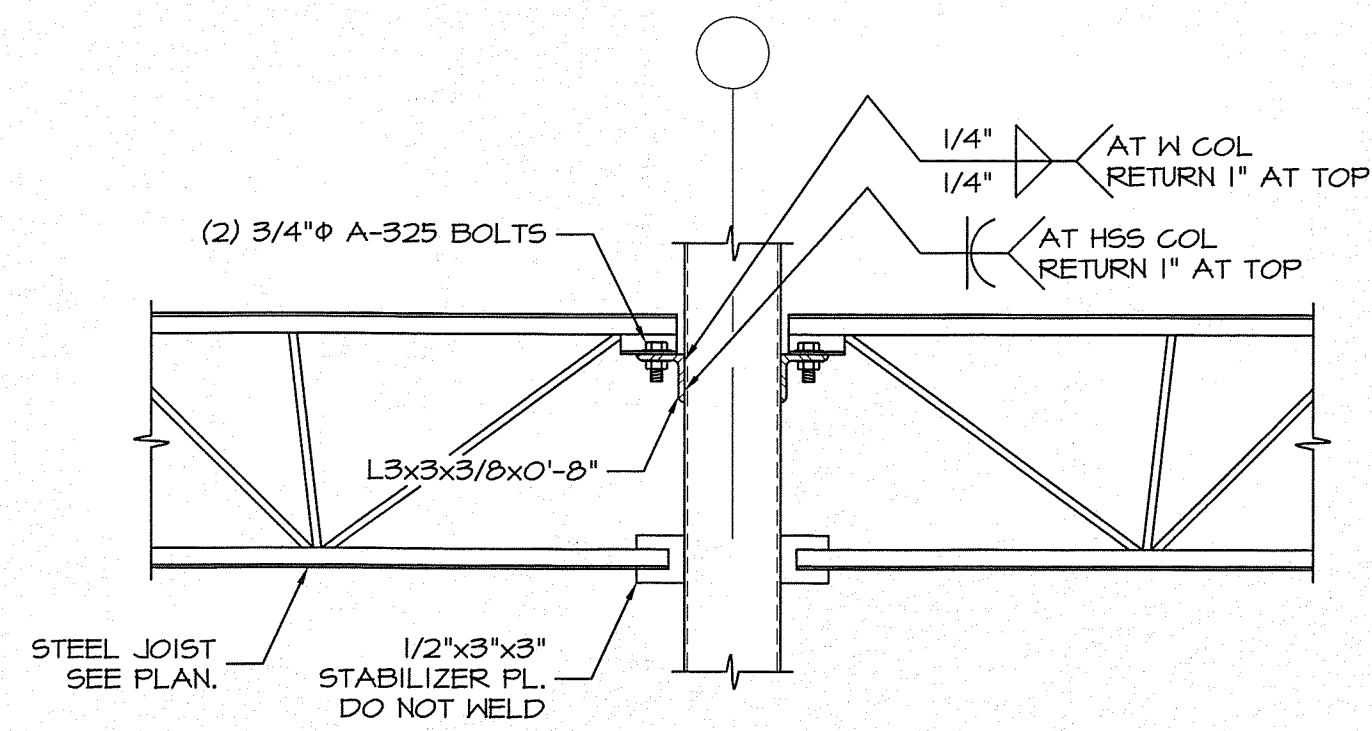
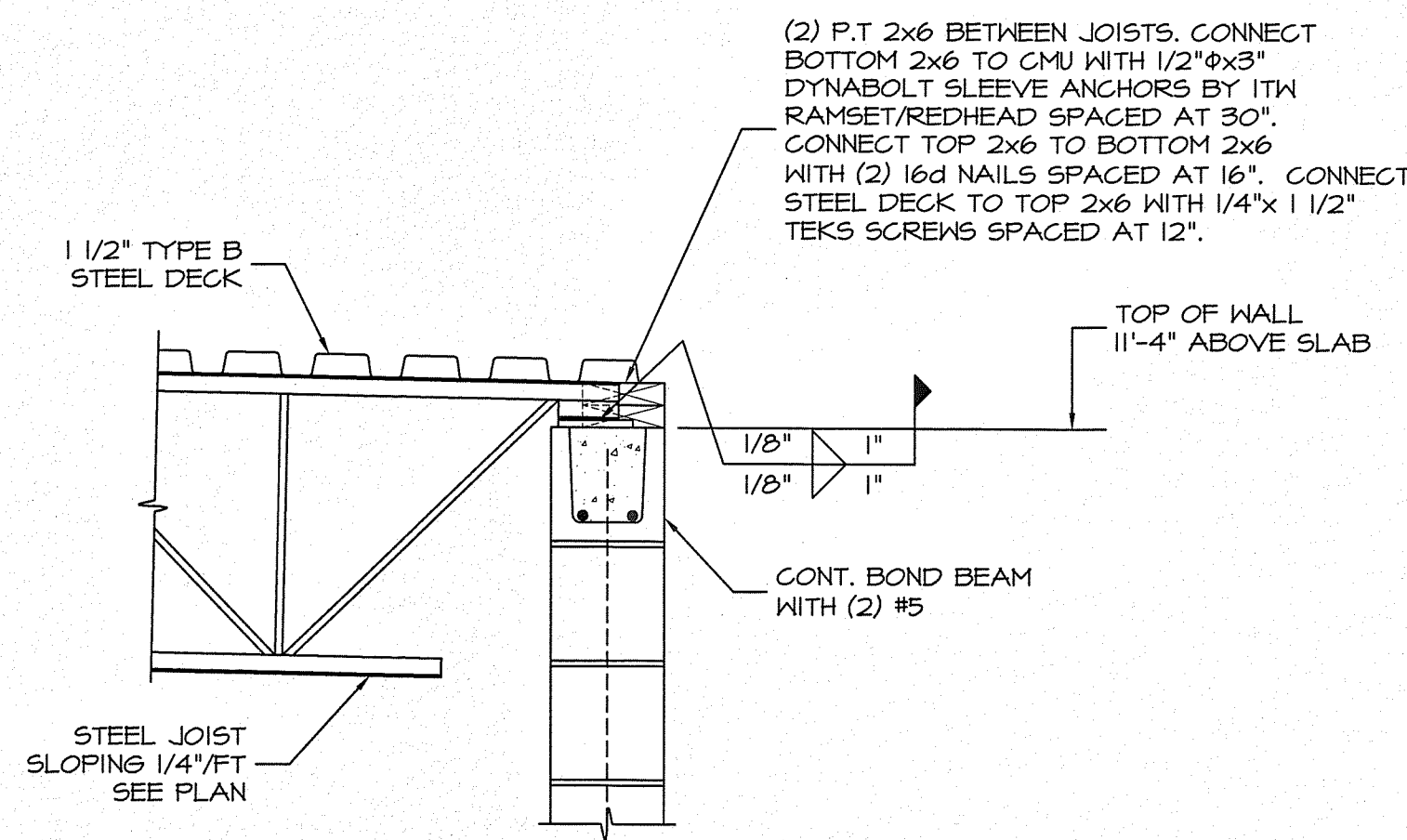


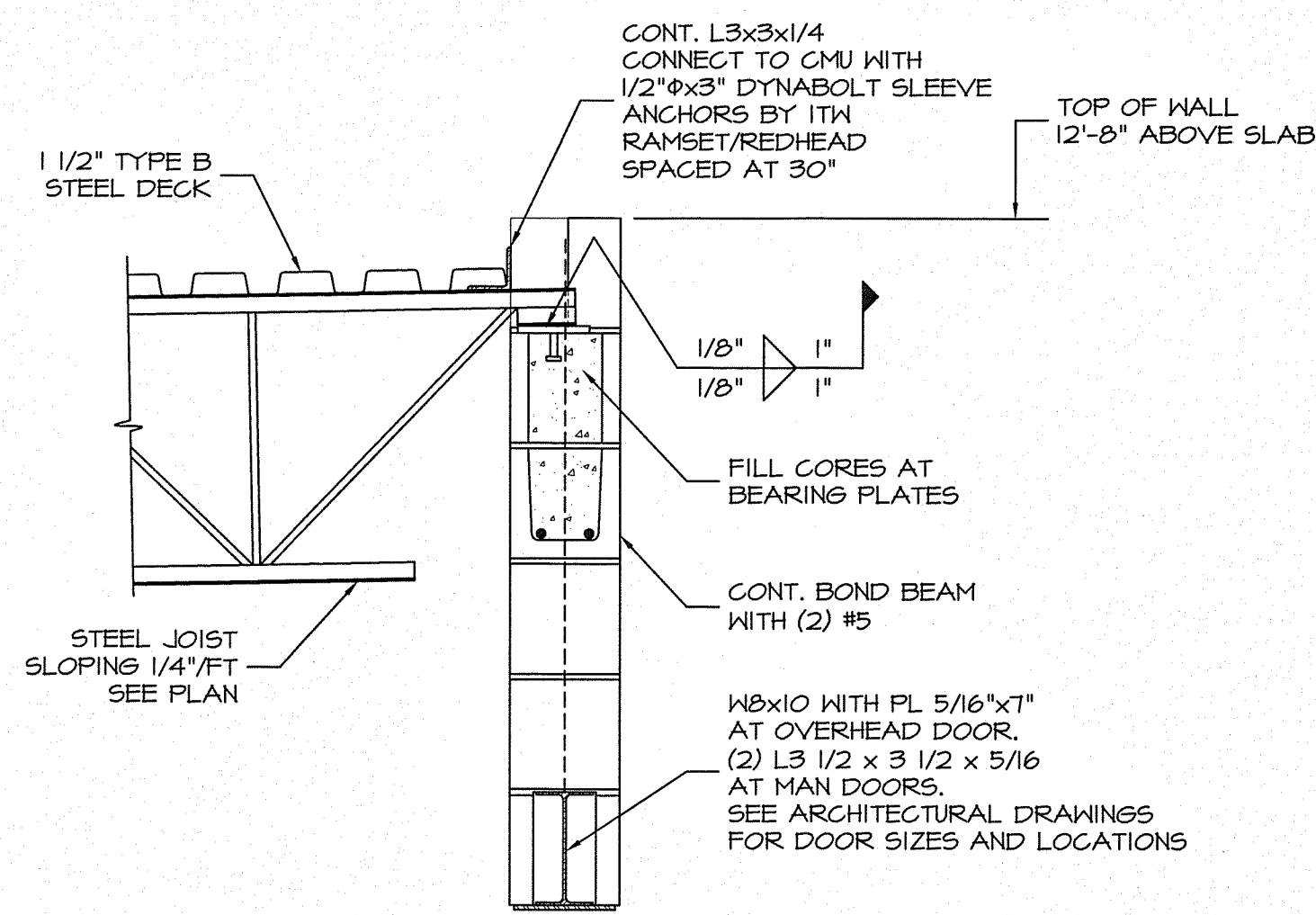
SECTION 1
1"=1'-0" S2.1



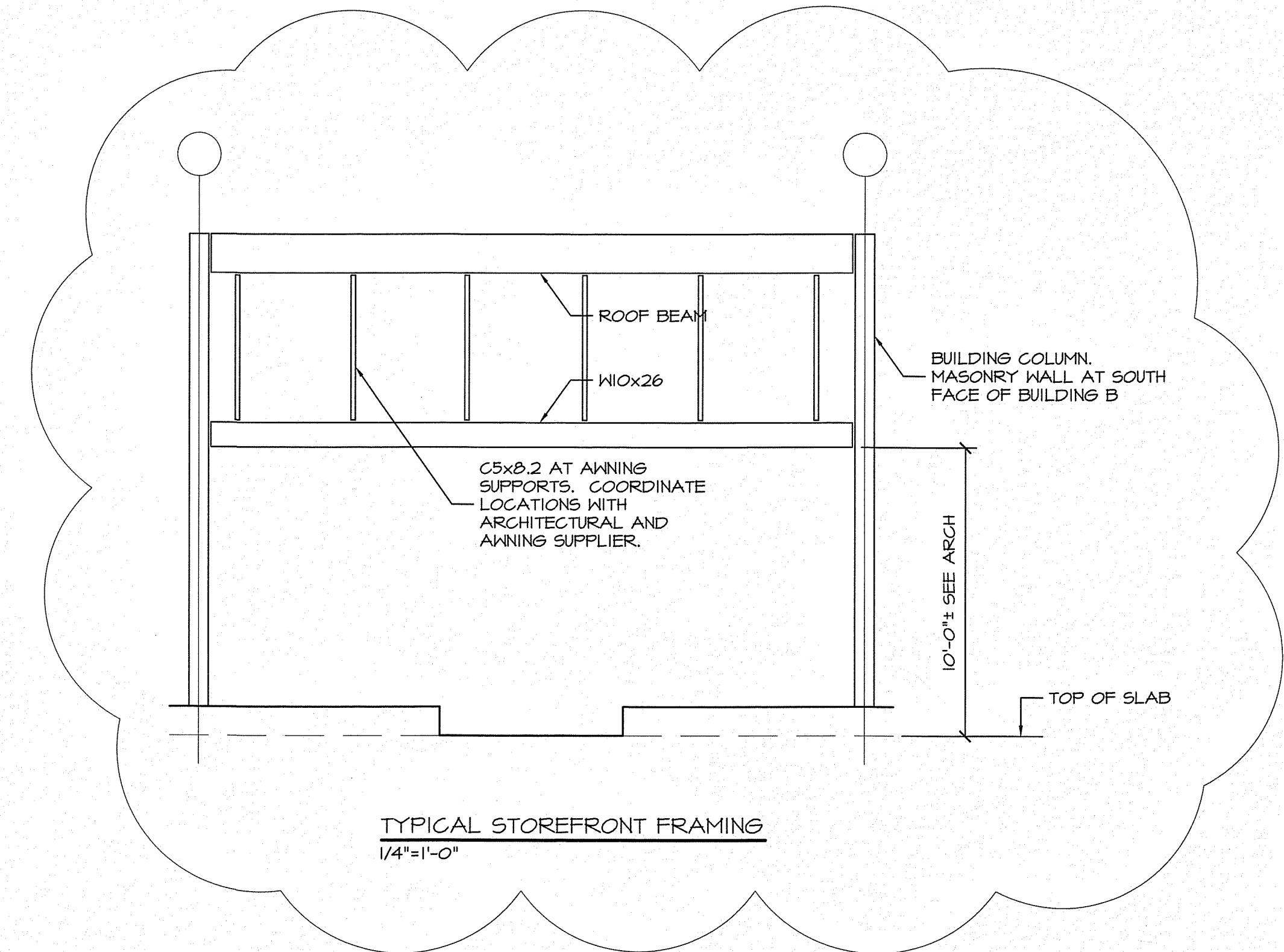
SECTION 2
1"=1'-0" S2.1



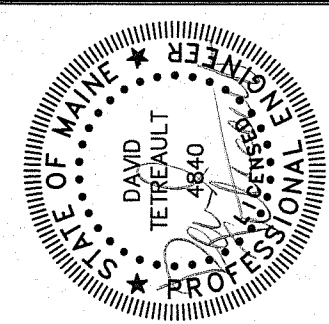
SECTION 3
1"=1'-0" S2.2
SEE S3.0 FOR CMU REINFORCING



SECTION 4
1"=1'-0" S2.2
SEE S3.0 FOR CMU REINFORCING



TYPICAL STOREFRONT FRAMING
1/4"=1'-0"



Prepared For:
Northland Enterprises, LLC
ONE CITY CENTER
PORTLAND, MAINE

22 Calverton Drive
Old Orchard Beach, ME 04064-4121
Tel: 207.534.8038
Fax: 207.534.8039

Structural Engineer:
STRUCTURAL DESIGN CONSULTING

Architect:
ARCHETYPE architects
48 Union Wharf Portland, Maine 04101
(207) 772-6022 Fax (207) 772-4056

Project:
CENTURY TIRE
815 MARGINAL WAY
PORTLAND, MAINE

Revisions:	Issued for Construction	05/08/15

Date: 16 Mar 15
Scale: As Noted
FRAMING SECTIONS

S4.2