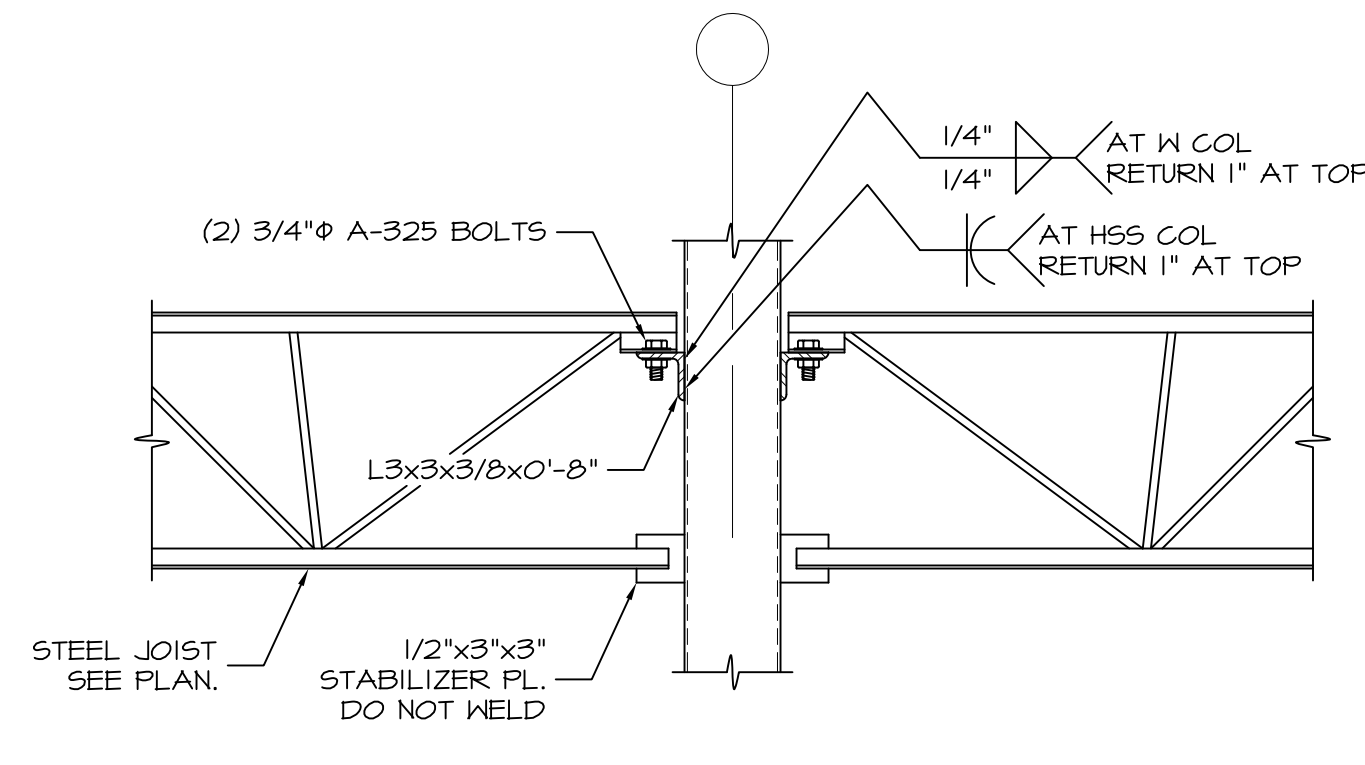
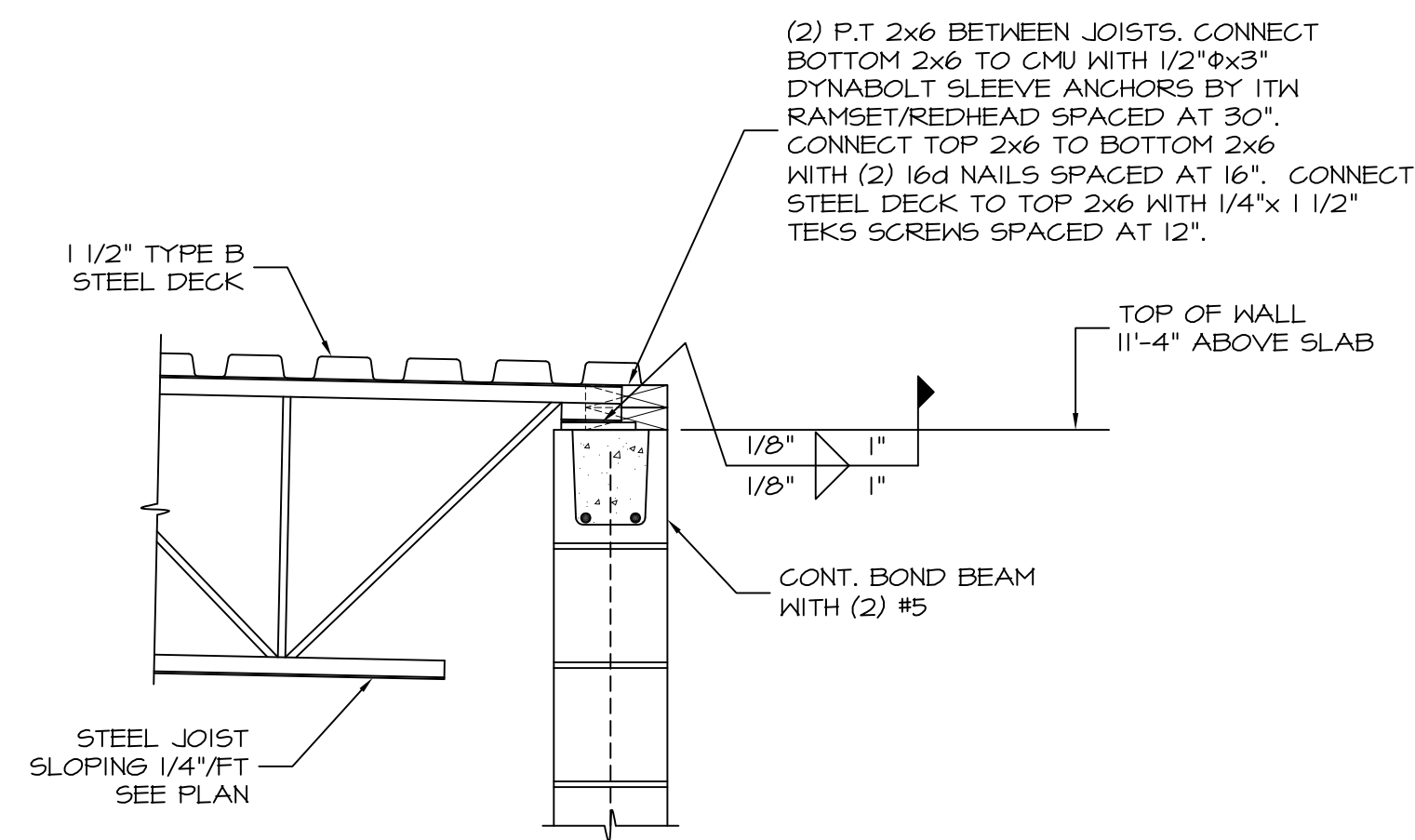


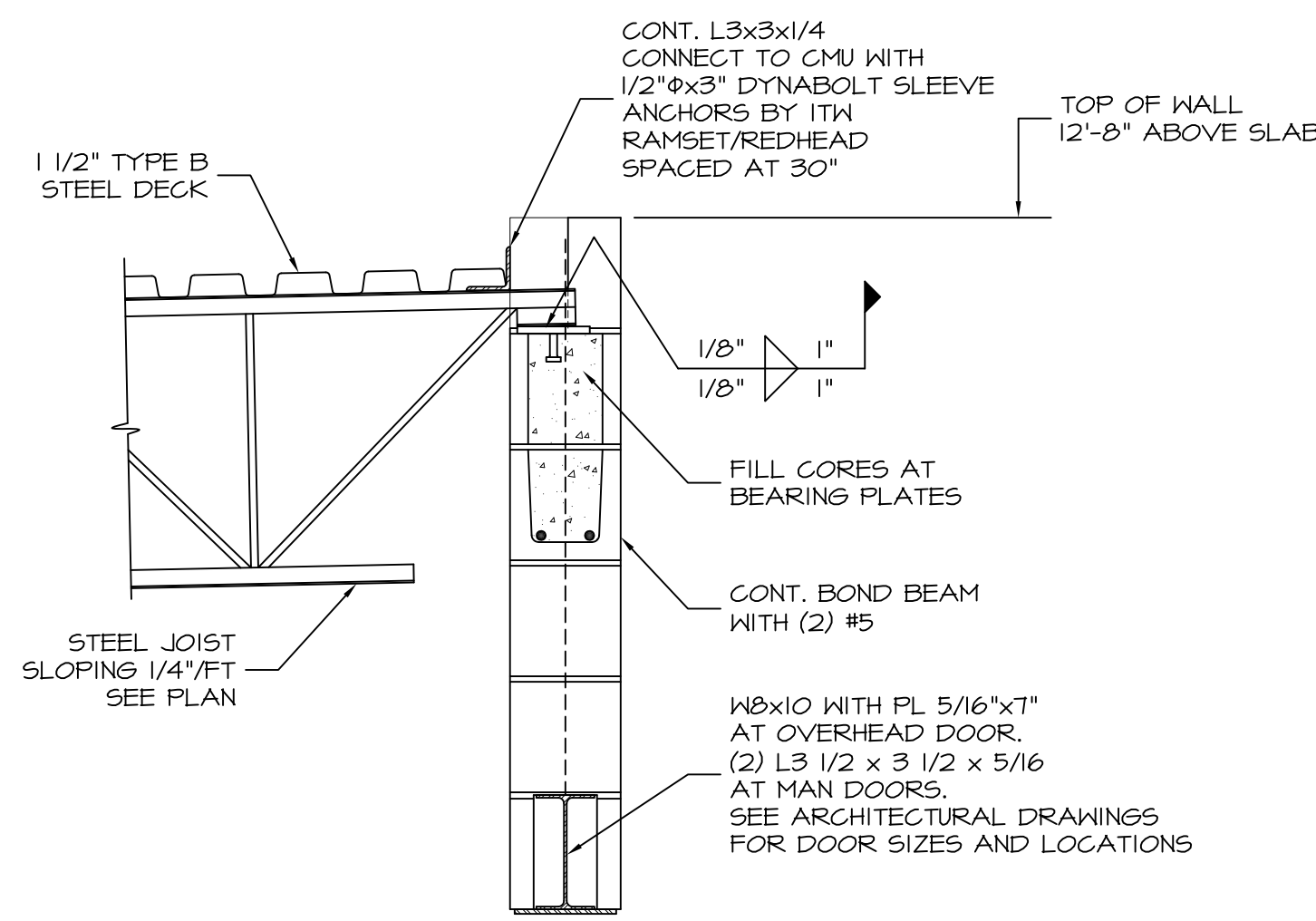
SECTION 1
1"=1'-0" S2.1



SECTION 2
1"=1'-0" S2.1



SECTION 3
1"=1'-0" S2.2
SEE S3.0 FOR CMU REINFORCING



SECTION 4
1"=1'-0" S2.2
SEE S3.0 FOR CMU REINFORCING

Northland Enterprises, LLC ONE CITY CENTER PORTLAND, MAINE
Prepared For:
Structural Engineer:
Architect:
Project: CENTURY TIRE 815 MARGINAL WAY PORTLAND, MAINE
Revisions: Issued for Permit: 03/16/15
Scale: As Noted
Date: 16 Mar 15
FRAMING SECTIONS
S4.2

22 Oakmont Drive
 Old Orchard Beach, ME
 04064-1121
 Tel: 207-934-8638
 Fax: 207-934-8639

48 Union Wharf Portland, Maine 04101
 (207) 772-6022 Fax (207) 772-4056